

» Pressure tank FD-1.2B-ZKG

Speidel's Maturing Pressure Tank is the unrivaled solution for fermentation and maturing. This type of tank is often used for the one tank method. The yeast is gathered in the cone and, depending on the model you have, can be removed. The beer does not need to be decanted.

It is also the ideal supplement to the 200 litres or 500 litres Braumeister. The FD-1.2B-ZKG is approved for a pressure of up to 1.2 bar and quality documented by the TÜV, Germany's Technical Control Board. In case of even higher requirements the following two pages show you a maturing tank that is approved for up to 3 bar.



APPLICATION RANGE

- › Fermentation
 - › Maturation
 - › Storage
- Ideal for
› Beer

STANDARD EQUIPMENT PRESSURE TANK FD-1.2B-ZKG

- › Tank shell made of stainless steel AISI 304 (V2A), IIld
- › Vaulted, stable dished bottom as top end made of stainless steel AISI 304 (V2A), surface IIld
- › Stable cone bottom end approx. 60°, made of stainless steel AISI 304 (V2A) surface IIld
- › Outside jacket surface IIld
- › Free-standing on welded-on pipe legs with mounting hole
- › Made in compliance with pressure equipment guidelines 97/23/EG including TÜV certificate

SAMPLING

- › Weld-on thread NW10 DIN 11851 (for the installation of the sample tap)

FILLING DOME

- › Filling dome NW 400 with flap lid

RACKING OUTLET

- › With outlet in the bottom end G 1" ET

BOTTOM OUTLET

- › Cone bottom 60° with outlet pipe – Outlet G 1" ET

DOUBLE JACKET

- › Laser welded double jacket for cooling with 2 connecting nozzles G 1" with external thread

PRESSURE REGULATION

- › Nozzle NW 25 DIN 11851 on top end to attach the T-piece armature for CO₂-connection and a valve called "Spundapparat"

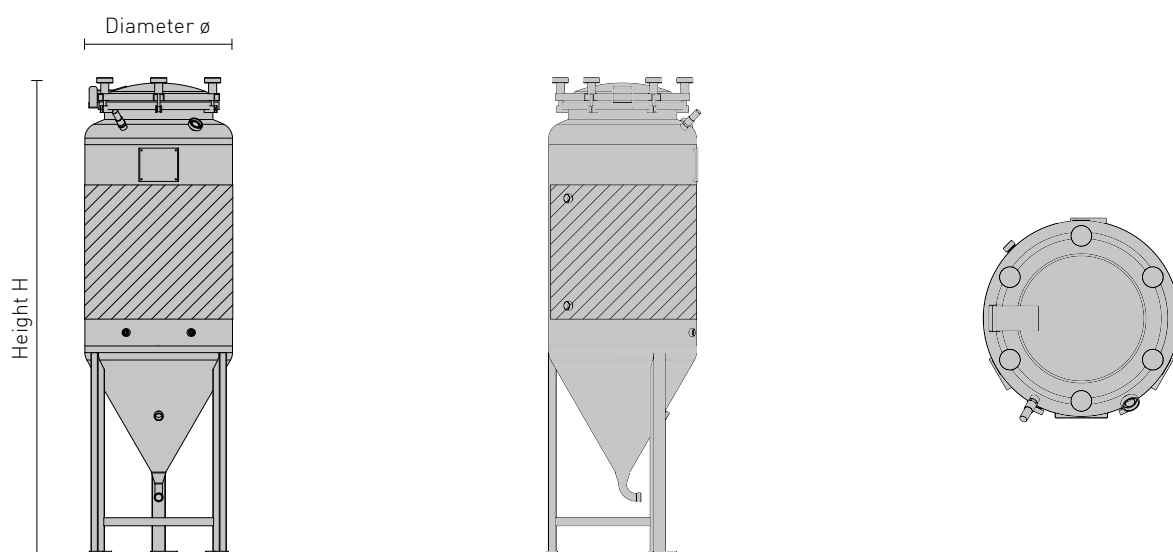
TEMPERATURE

- › Weld-on thread NW10 DIN 11851 for temperature measuring

TYPE PLATE

- › Safety valve mounted on tank
- › Set to 1.2 bar working pressure, mounted on tank top

DIMENSIONS OF PRESSURE TANK FD-1.2B-ZKG



| Capacity litres | ø mm | H mm | Order No. |
|--------------------|---------|---------|----------------|
| 120 | 550 | 1,030 | FD-055-S-V0046 |
| 240 | 550 | 1,550 | FD-055-S-V0043 |
| 625 | 820 | 1,735 | FD-082-S-V0063 |