

Beer
3,-€

» Storage, transportation and stacking tank ST-T

Speidel's ST-T tank for storage, transportation and stacking is truly versatile. Up to three of the tanks can be stacked on one another even when filled. Yet, with the appropriate supplementary equipment they allow even more applications. If ordered for example with mash door and double jacket, the ST-T is ideally suited for the processing of mash.

The stable stainless steel framework is accessible from 4 sides by forklift/pallet truck. To guarantee even higher safety during transportation by forklift the tanks have additional fork lift receptacles that can be accessed from underneath from two sides. By default, the top end is made of AISI316 material.



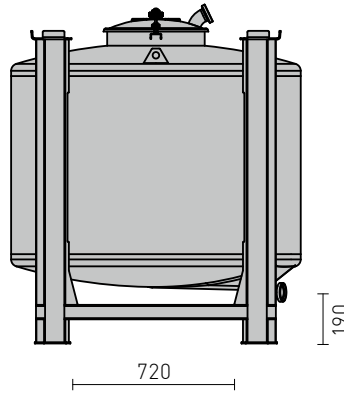
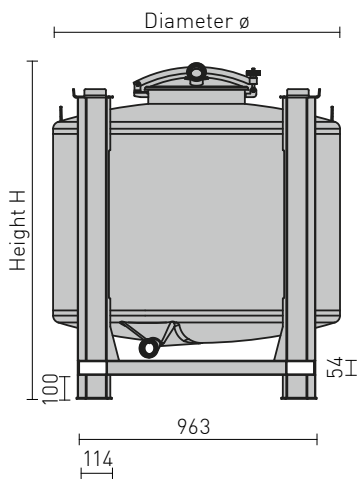
APPLICATION RANGE (PRESSURELESS)

- | | |
|------------------|--------------------|
| › Storage | › Ideal for |
| › Transportation | › Beer |
| › Maturation | › Soft drinks |
| › Fermentation | › Alcoholic drinks |
| › Processes | |

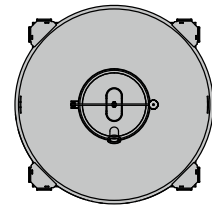
STANDARD EQUIPMENT STORAGE, TRANSPORTATION AND STACKING TANK ST-T

- › Tank shell and tank bottom are made of AISI304 stainless steel, surface IIIld (2R), marbled outside
- › Tank top made of AISI316 stainless steel, surface IIIld (2R), marbled outside
- › Vaulted tank top with lifting lugs
- › With filler neck 400 mm, flap lid with external spring clip seal, with stainless steel vent neck NW50 DIN 11851 with sealing cap
- › Vaulted tank bottom with discharge outlet external thread NW50 DIN 11851
- › With stable stainless steel framework, accessible from 4 sides by forklift/pallet truck
- › Additionally accessible from 2 sides with forklift receptacles 120x60 mm, internal dimension shape 114x54 mm
- › Stackable a maximum of 3 filled tanks

STORAGE, TRANSPORTATION AND STACKING TANK ST-T



Please pay attention to the internal dimensions of the forklift profiles



| Capacity litres | ø Tank mm | H mm | Order No. |
|--------------------|--------------|---------|---------------|
| 1,000 | 1,200 | 1,435 | ST-T-120-1000 |

