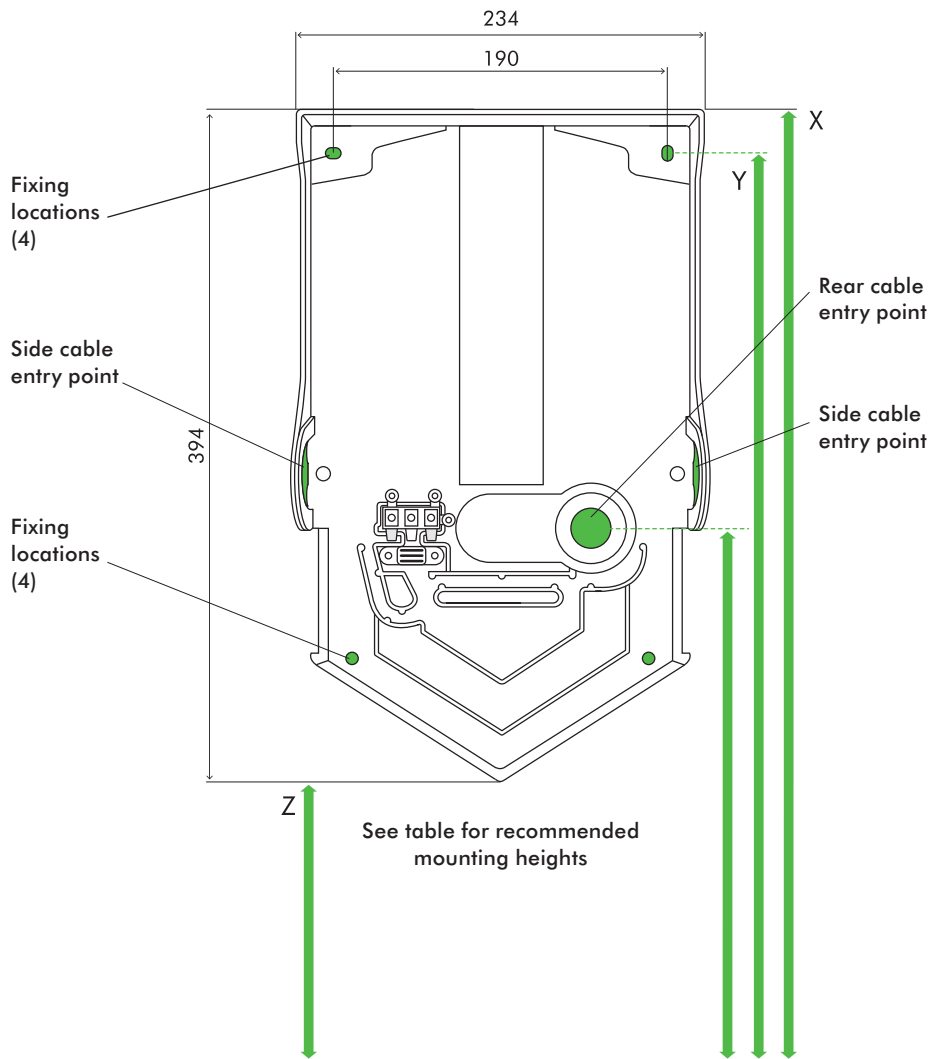


TECHNICAL SPECIFICATION

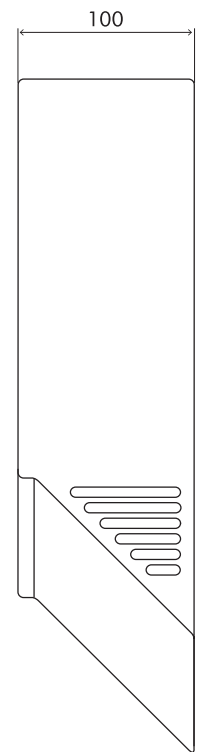


HU
O2

REAR ELEVATION



SIDE ELEVATION



All dimensions shown in mm (+/-5 mm)



Recommended installation heights from floor

Male	X 1324 mm	Y 1300 mm	Z 930 mm
Female	X 1289 mm	Y 1265 mm	Z 895 mm
Child or disabled	X 1074 mm	Y 1050 mm	Z 680 mm
Child 5-8	X 952 mm	Y 928 mm	Z 558 mm
Child 8-11	X 1052 mm	Y 1028 mm	Z 658 mm
Child 11-14	X 1132 mm	Y 1108 mm	Z 738 mm

Machine dimensions

Height 394 mm Width 234 mm Depth 100 mm

Minimum clearance

220mm clearance either side and 30mm above machine.

Cable entry point from floor

Male	1089 mm
Female	1054 mm
Child or disabled	839 mm
Child 5-8	717 mm
Child 8-11	817 mm
Child 11-14	897 mm

dyson airblade V

HU
02

Electrical

Input voltage/Frequency: 200-240 V 50&60 Hz

Standby power consumption: Less than 0.5 W

Motor specification: 1,000 W digital brushless motor

Heater type: None

Construction

Fascia: Polycarbonate

Antibacterial coating type:

HU02 (Sprayed Nickel) contains antibacterial additive in paint.

HU02 (White) contains antibacterial moulded additive.

Can help prevent the growth of bacteria.

Back plate mounting bracket: ABS/PBT Plastic

Exterior screw type: Anti-tamper 4 mm Pin-Hex

Water ingress protection to IP24

Filter

HEPA filter (Glass fibre and fleece prelayer)

99.9% of particles captured

Operation

Touch free capacitive sensor activation

Hand dry time measurement: 12 seconds

(Measurement based on NSF Protocol P.335)

Sound power level: 79 dB(A)

Sound pressure level @ 2 m: 63 dB(A)¹

Operation lock-out period: 30 seconds

Airspeed at aperture: 690 km/h / 430 mph

Maximum altitude: 2,000 metres / 6,561 ft.

Logistics

Single unit order code:

Malaysia: Sprayed Nickel 307735-01, White 307734-01

South Korea: Sprayed Nickel 307596-01, White 307595-01

Rest of world: Sprayed Nickel 307170-01, White 307169-01

Unit barcode:

Malaysia: Sprayed Nickel 5025155025871, White 5025155025864

South Korea: Sprayed Nickel 5025155025833, White 5025155025826

Rest of world: Sprayed Nickel 5025155025796, White 5025155025710

Net weight: 2.9 kg / 6.17 lbs

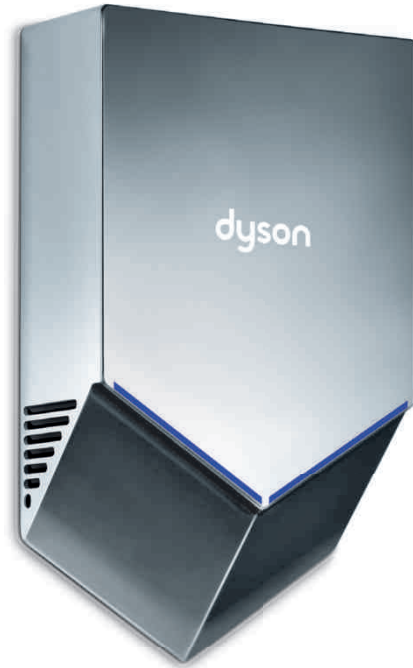
Packaged weight: 4.0 kg / 8.81 lbs

Packaged dimensions:

(H)145 × (W)455 × (D)274 mm / (H)5³/₄" × (W)17⁷/₈" × (D)10³/₄"

Standard guarantee

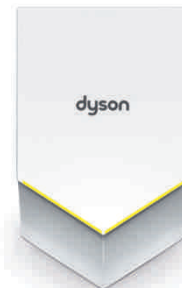
5 year guarantee



Product range

Sprayed Nickel

White



¹Sound pressure measured at 2 m distance, in a semi-anechoic chamber.



The Carbon label is a trademark of the Carbon Trust.

The NSF logo is the registered trademark of NSF International.

Quiet Mark is a registered trademark of the Noise Abatement Society.