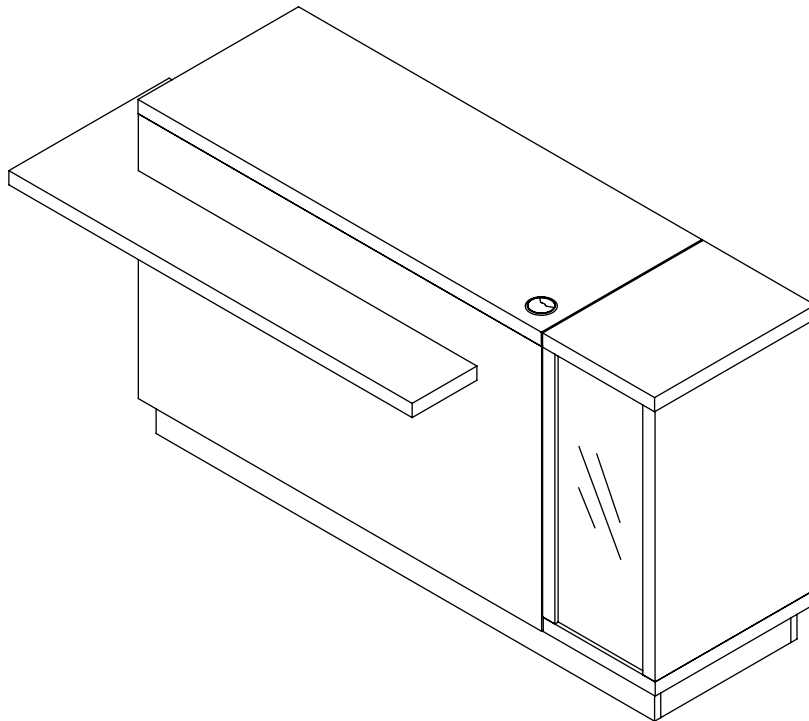


- Instructions -

San

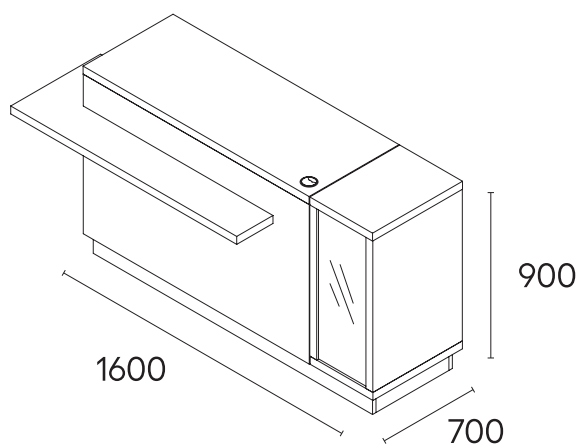
Reception



pahi

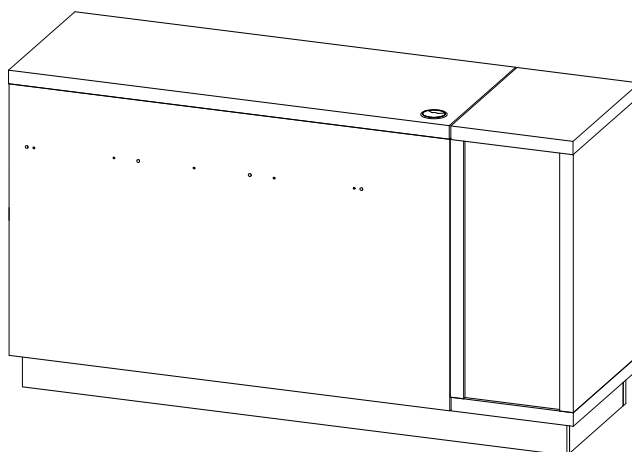
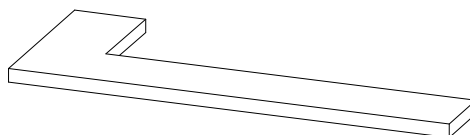
Dimensions /Dimensiones/Dimensions

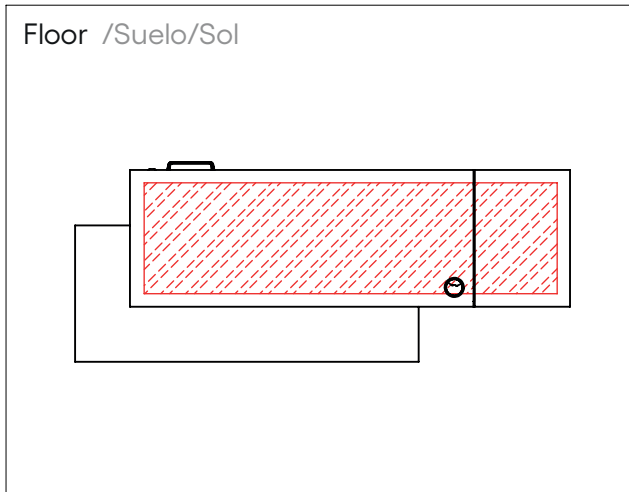
(mm)



In the box /En la caja/Dans la boîte

★ Inside the drawer /Dentro del cajón/À l'intérieur du tiroir



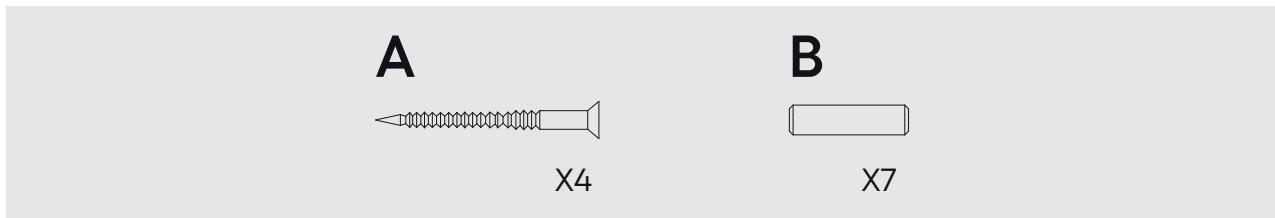


Light /Luz/Lumière

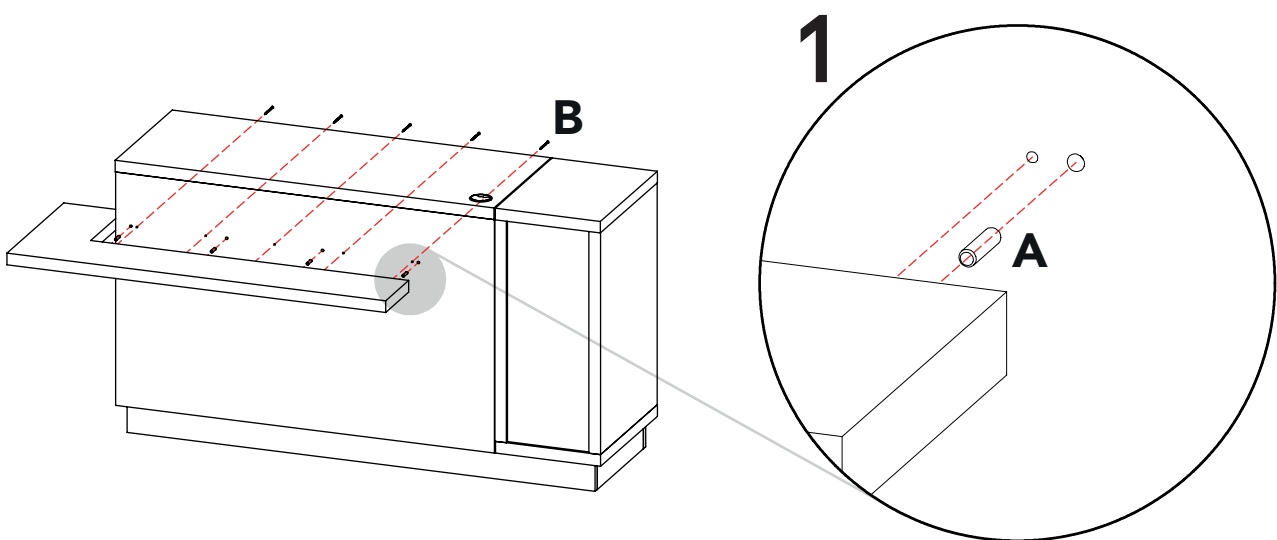
2 LED strips L700mm
3000k
6.72W (x2 = 13,44W)

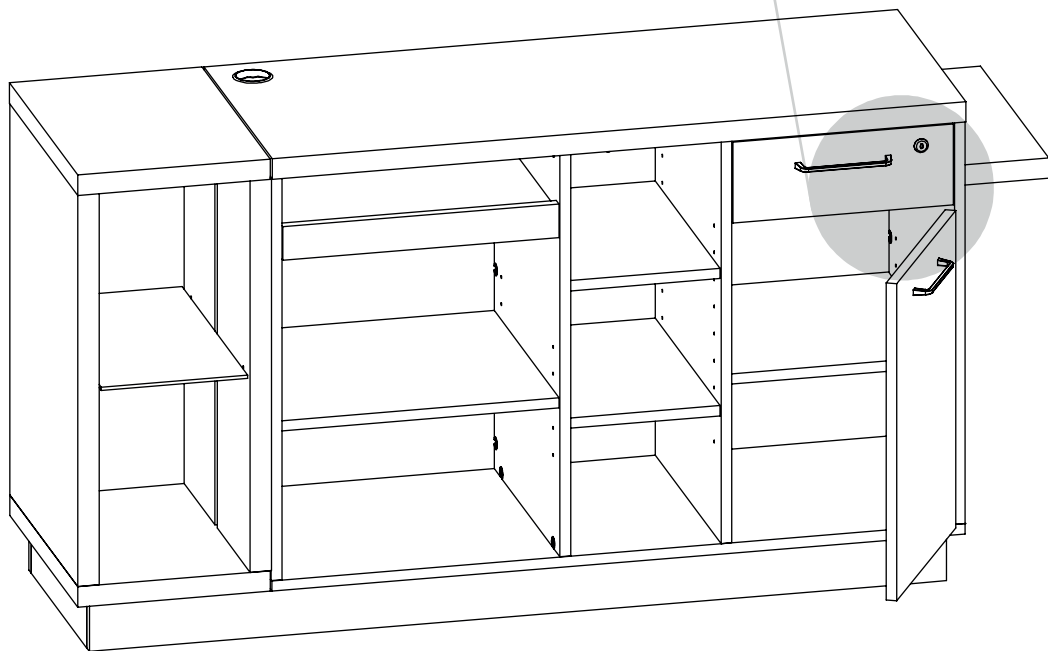
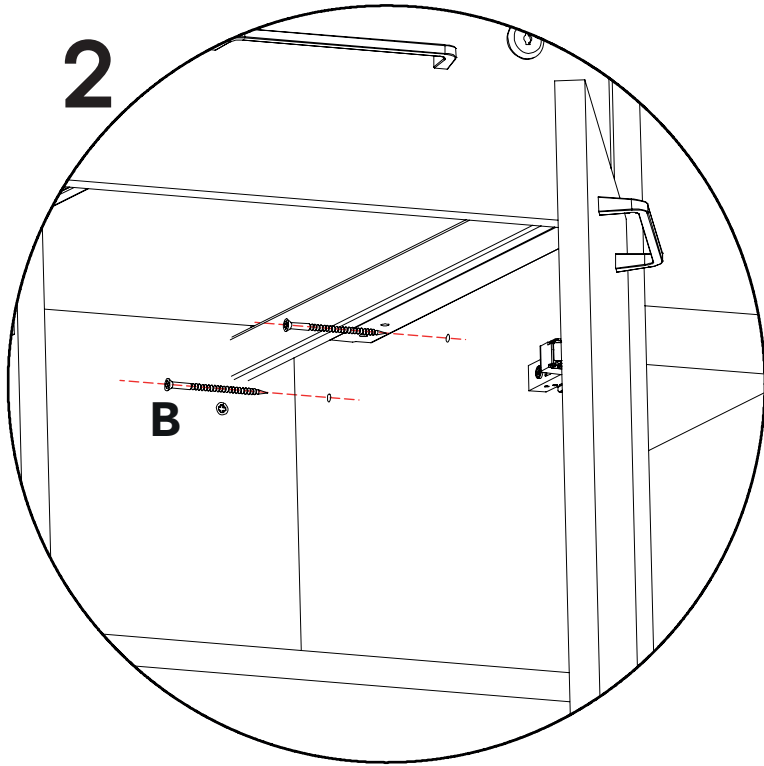
1 converter LED
35W 220AC-in/24DC-out

Hardware /Herrajes/Materiel



Assembling /Montaje/Assemblage





pahi.com
pahi@pahi.com
T +34 938 890 417

C. Barcelona 32-34
08503 Gurb
Barcelona, Spain

pahi