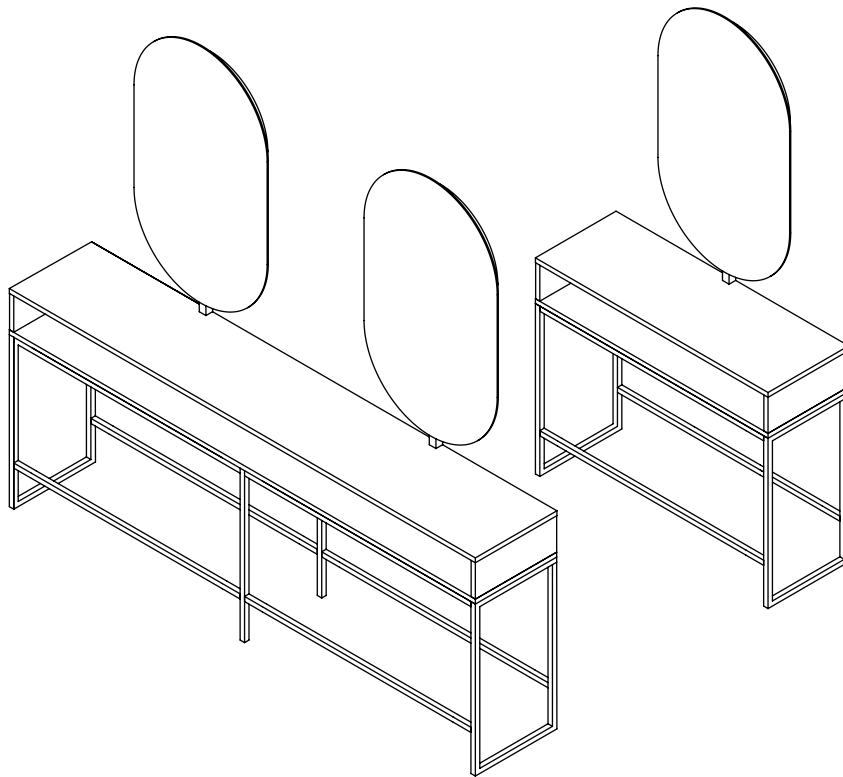


- Instructions -

Clark

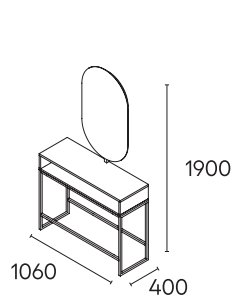
WALL 1S, 2S
Styling Unit



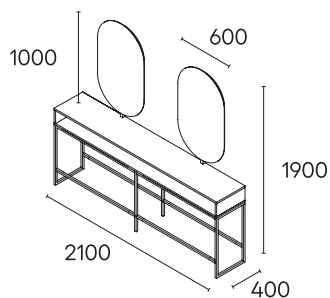
pah

Dimensions /Dimensiones/Dimensions

(mm)



CLARK 1S

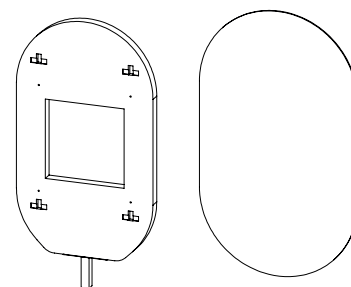
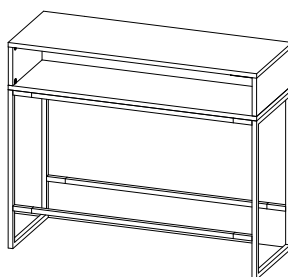


CLARK 2S WALL

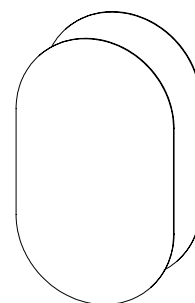
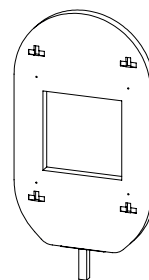
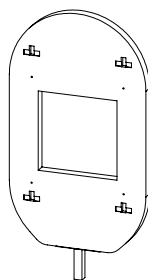
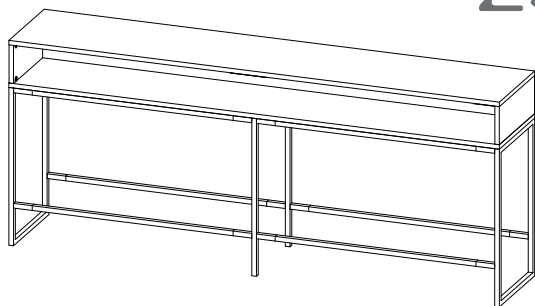
In the box /En la caja/Dans la boîte



1S



2S



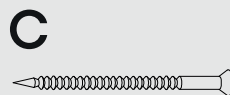
Hardware /Herrajes/Materiel



X1
*(X2)



X1
*(X2)



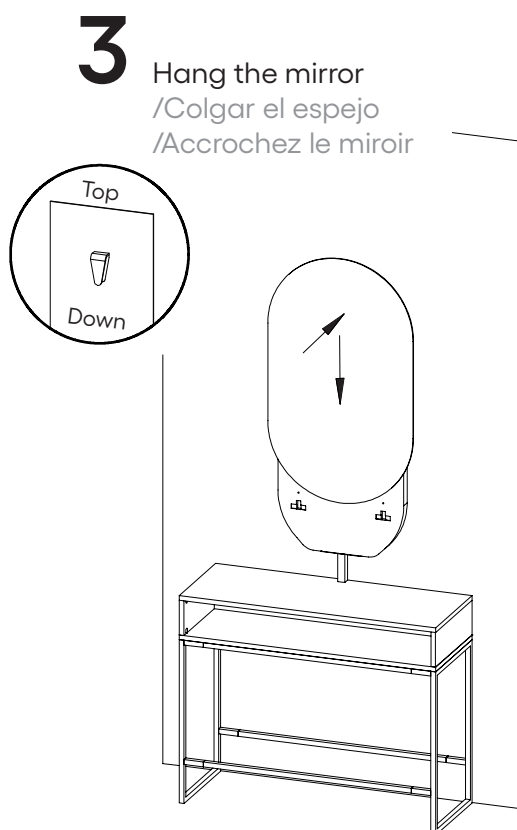
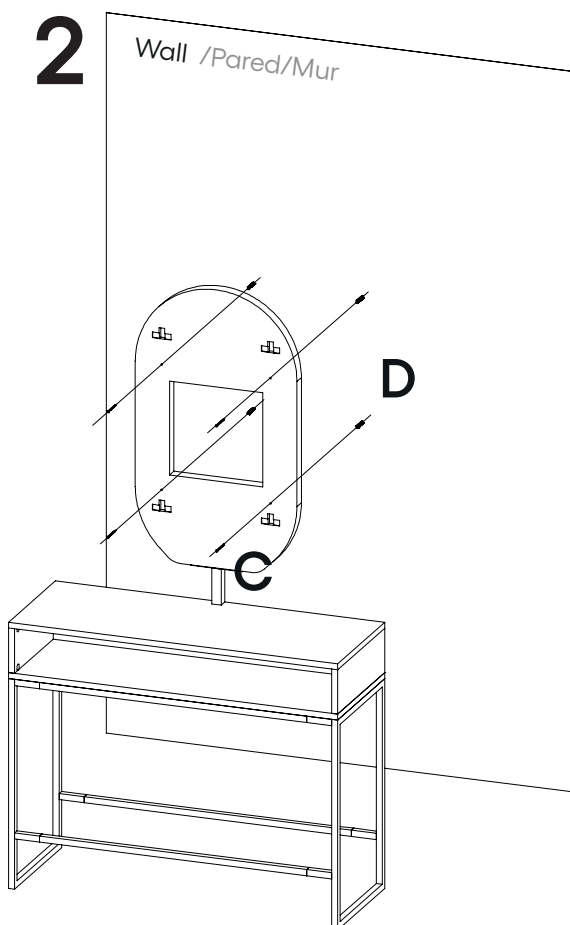
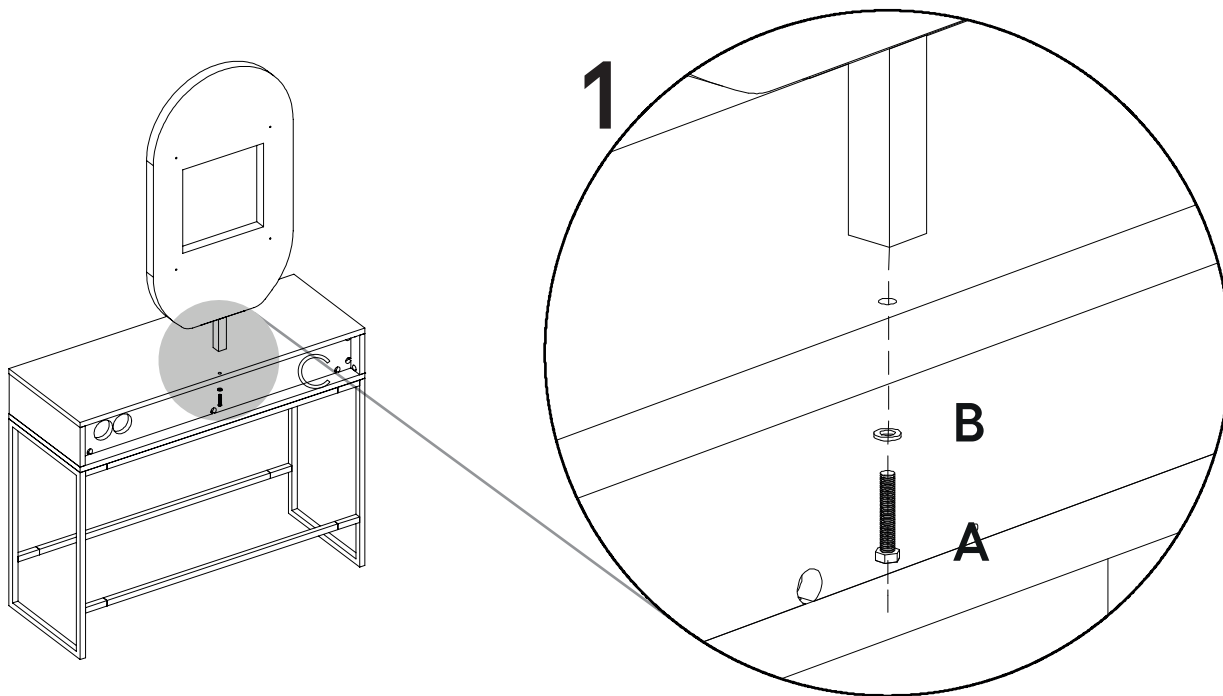
X4
*(X8)



X4
*(X8)

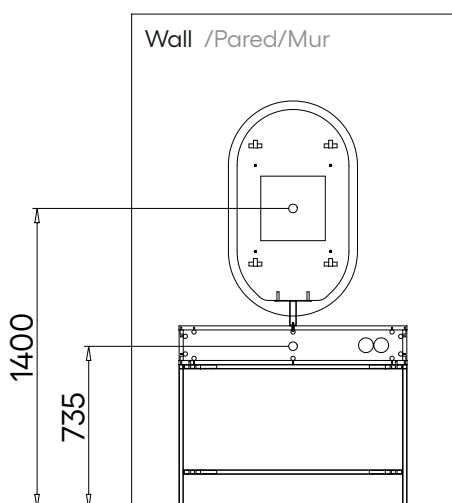
*CLARK 2S

Same assembly steps for the Joy 2S /Mismos pasos de montaje para el Joy 2S
/Même méthode de montage pour le Joy 2S



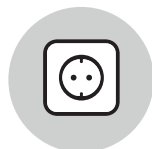
(mm)

1S



Light information:

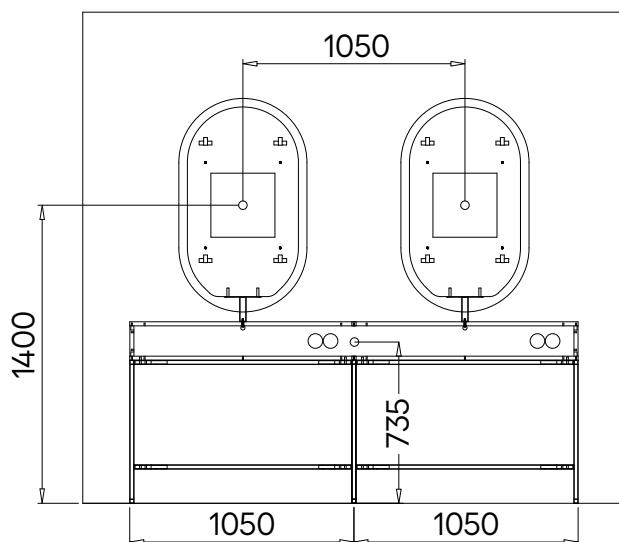
1 LED strip light: 19,2W
3000K L2000
1 Converter LED
30W 220AC-in/24DC-out



Socket info:

Socket 16A 250V
+ child protection

2S



Light information:

2 LED strip light: 19,2W
3000K L2000
2 Converter LED
30W 220AC-in/24DC-out



Socket info:

Socket 16A 250V
+ child protection

pahi.com
pahi@pahi.com
T +34 938 890 417

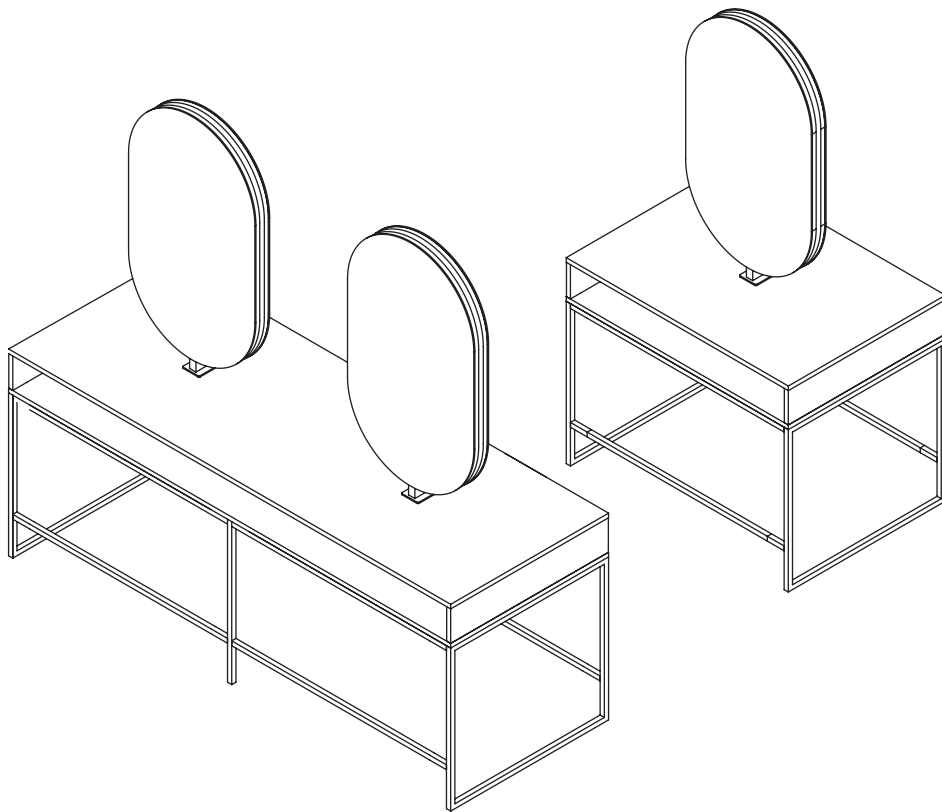
C. Barcelona 32-34
08503 Gurb
Barcelona, Spain

pahi

- Instructions -

Clark ISLAND 2S, 4S

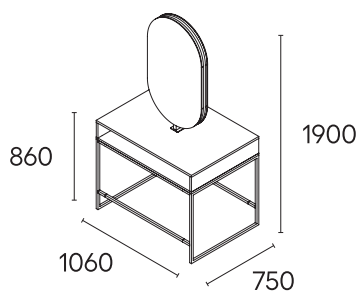
Styling Unit



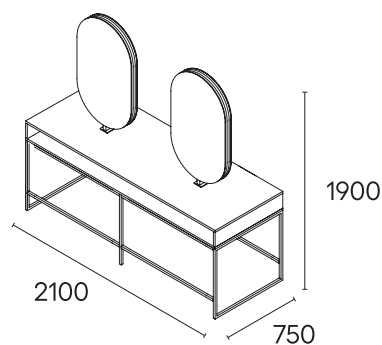
pahi

Dimensions /Dimensiones/Dimensions

(mm)



CLARK 2S ISLAND

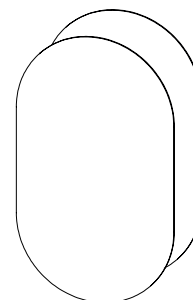
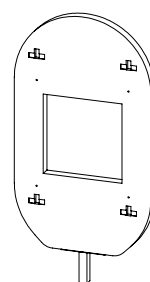
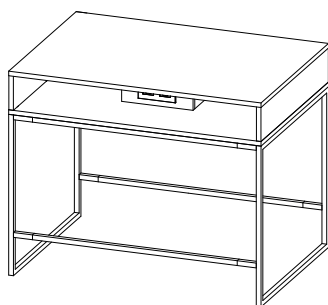


CLARK 4S ISLAND

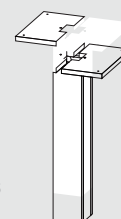
In the box /En la caja/Dans la boîte



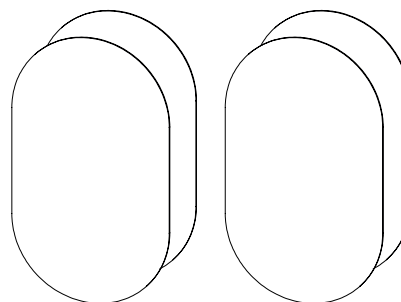
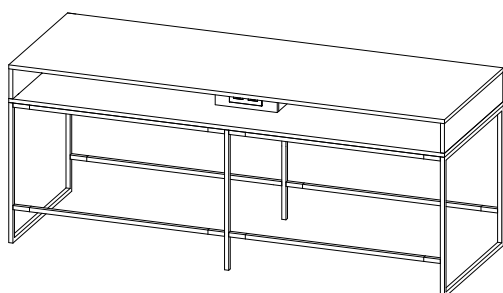
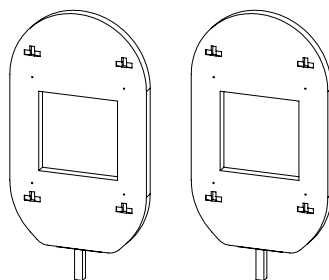
2S

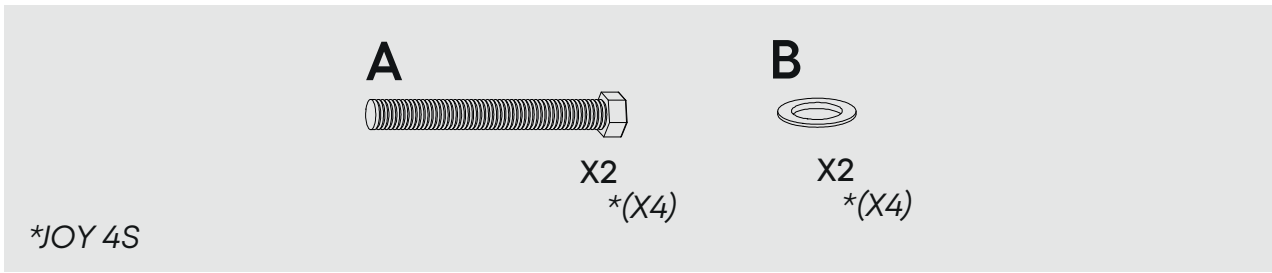


Optional cable
cover column
/Columna opcional
para cubrir cables
/Colonne en option
pour couvrir les câbles

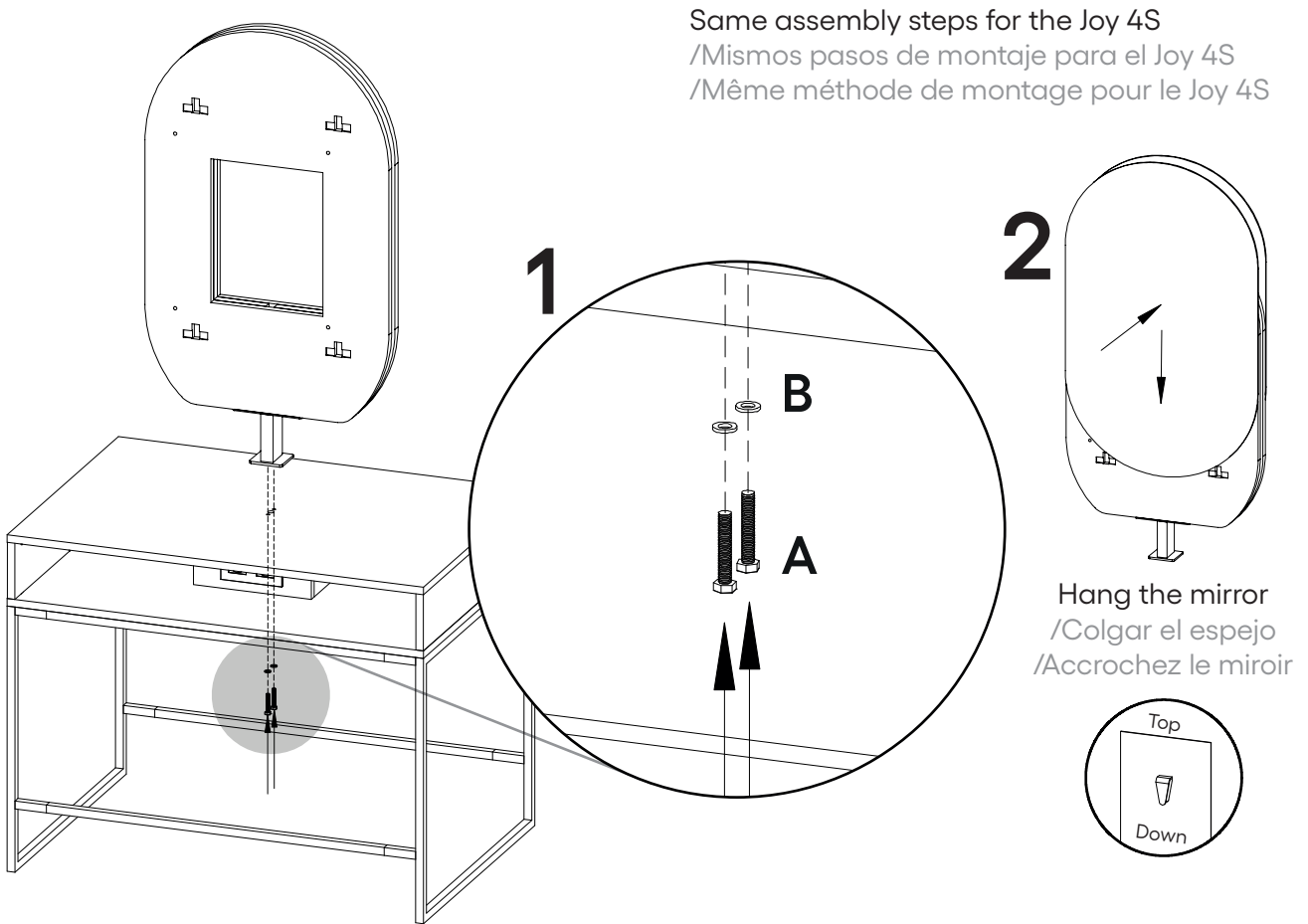


4S



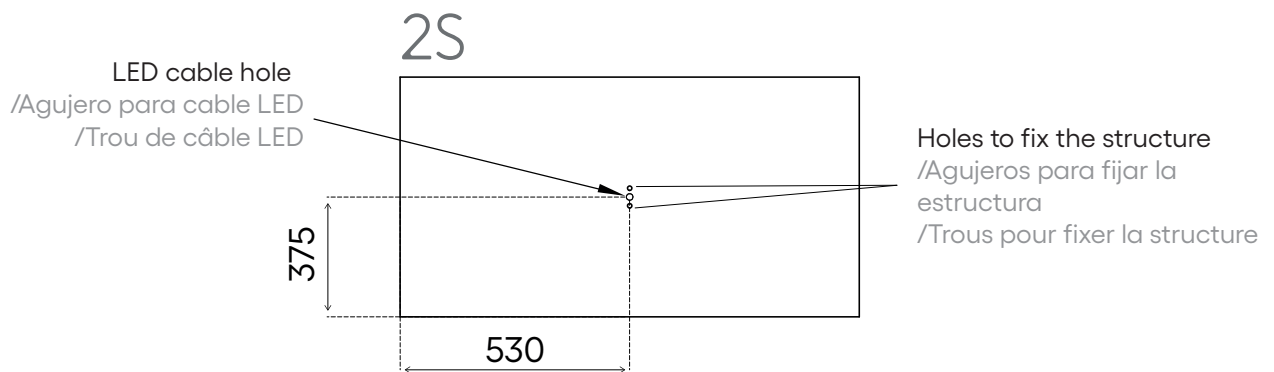


Assembling /Montaje/Assemblage



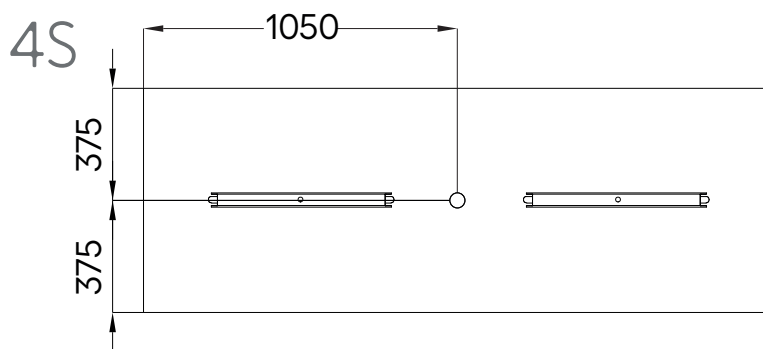
Light Entrance Point /Punto de entrada de luz/Point d'entrée de lumière

(mm)



Light Entrance Point /Punto de entrada de luz/Point d'entrée de lumière

(mm)



Light information:

1/ 2 (4S Unit) LED strip light: 19,2W
3000K L2000
1/ 2 (4S Unit) Converter LED
30W 220AC-in/24DC-out

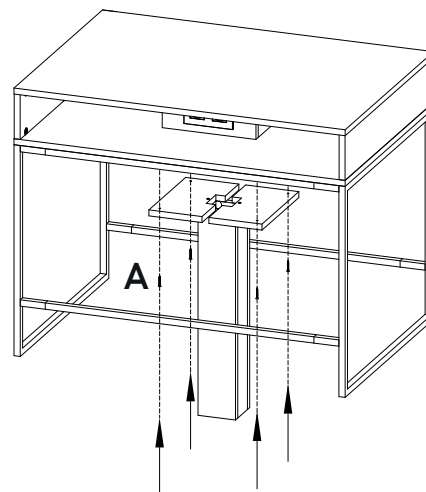
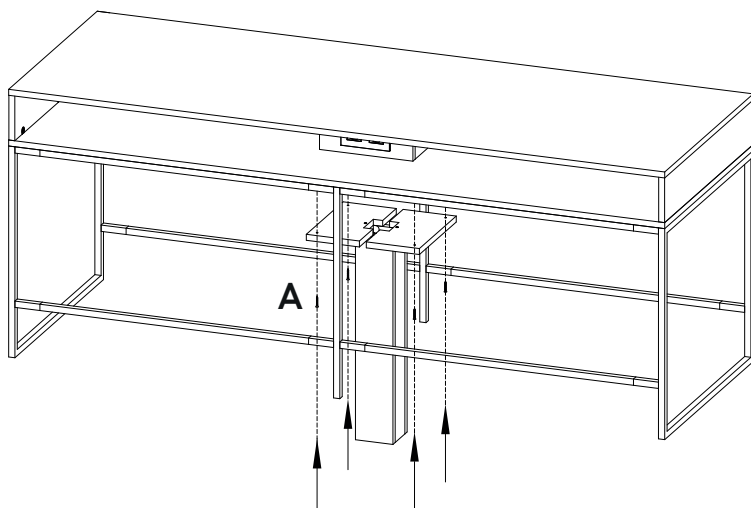
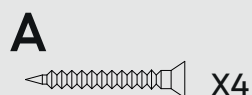


Socket info:

Socket 16A 250V
+ child protection

Assembling /Montaje/Assemblage

Laminated cables cover
/Columna entrada cables laminada
/Cache câbles stratifié



pahi.com
pahi@pahi.com
T +34 938 890 417

C. Barcelona 32-34
08503 Gurb
Barcelona, Spain

pahi