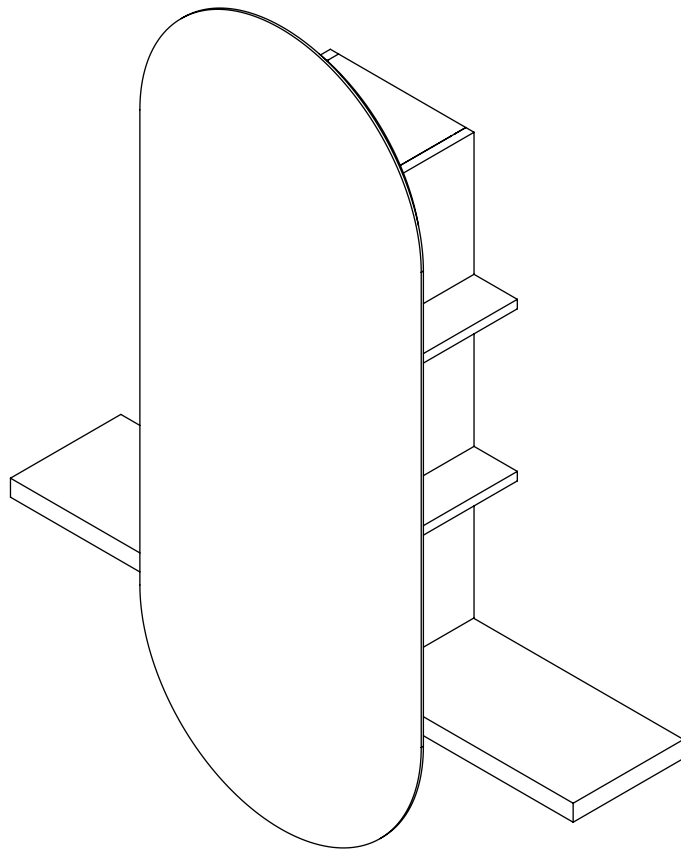


- Instructions -

# Gio

Styling Unit

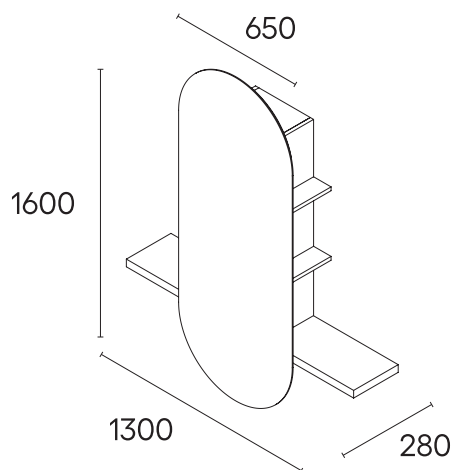


**pah**

Dimensions /Dimensiones/Dimensions

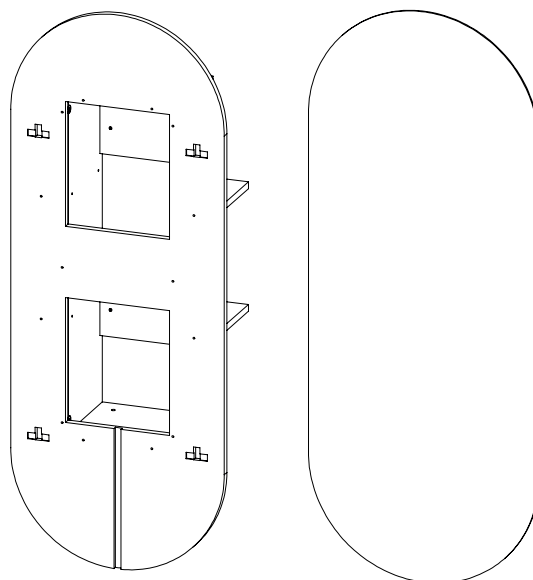
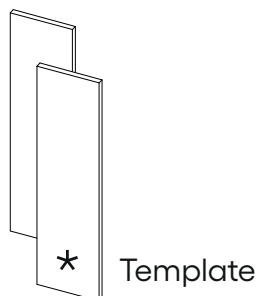
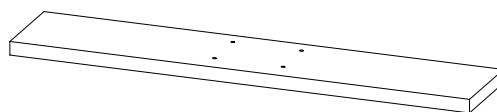
---

(mm)



In the box /En la caja/Dans la boîte

---





**Light information:**

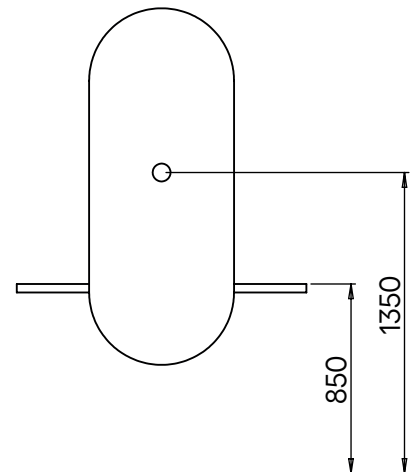
1 LED strip light: 38,4W  
3000K L4000mm  
1 Converter LED 60W 220AC-in/24DC-out



**Optional socket info:**

Socket 16A 250V  
+ child protection

(mm)



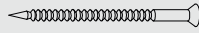
Hardware /Herrajes/Materiel

**A**



X4

**B**



X4

**C**



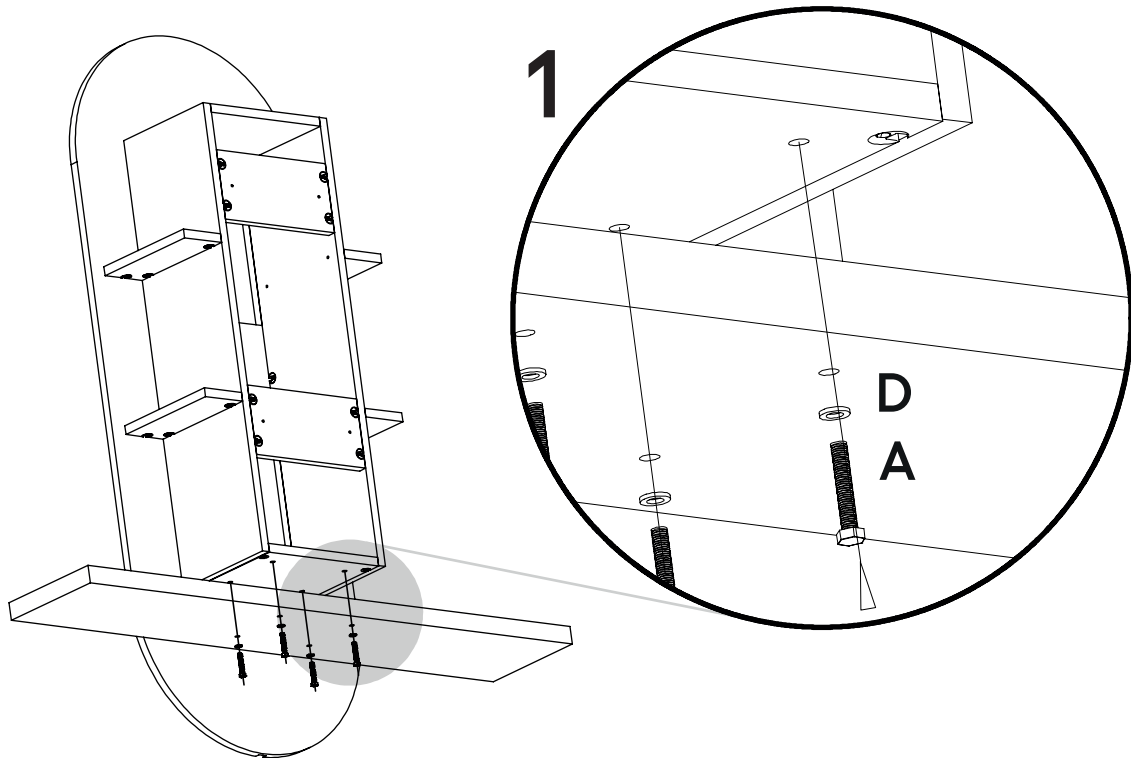
X4

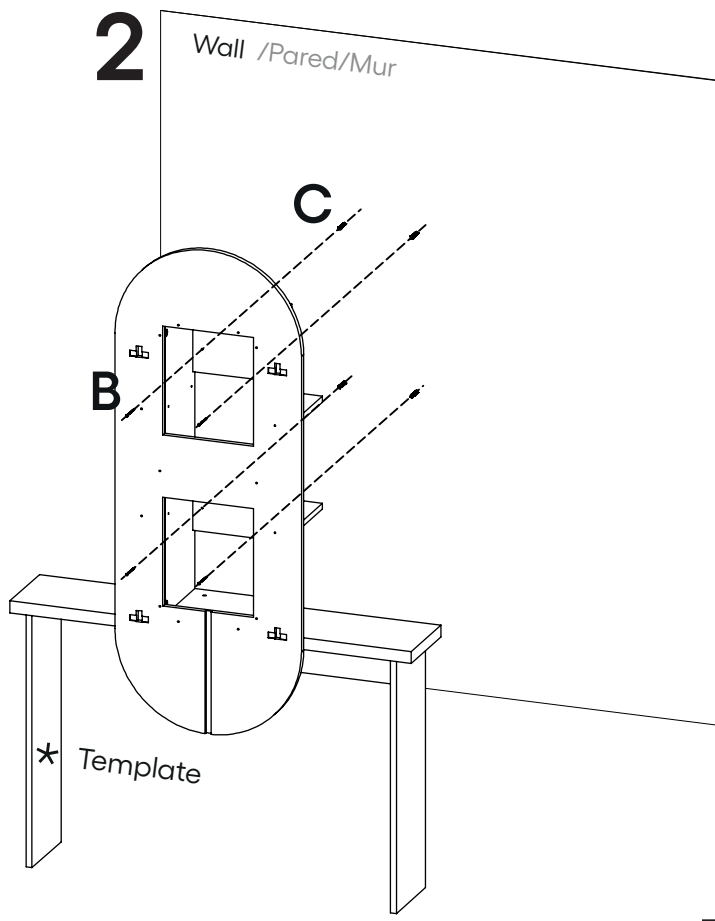
**D**



X4

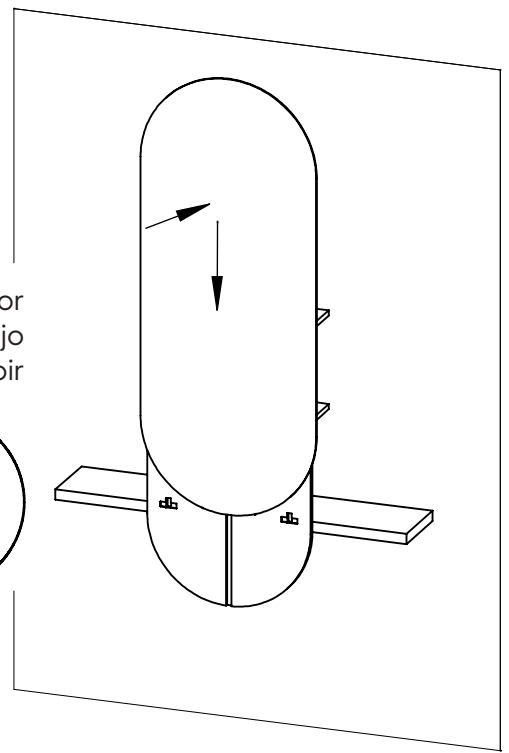
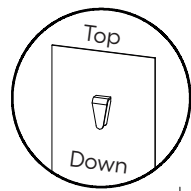
Assembling /Montaje/Assemblage





**3**

Hang the mirror  
/Colgar el espejo  
/Accrochez le miroir



pahi.com  
pahi@pahi.com  
T +34 938 890 417

C. Barcelona 32-34  
08503 Gurb  
Barcelona, Spain

