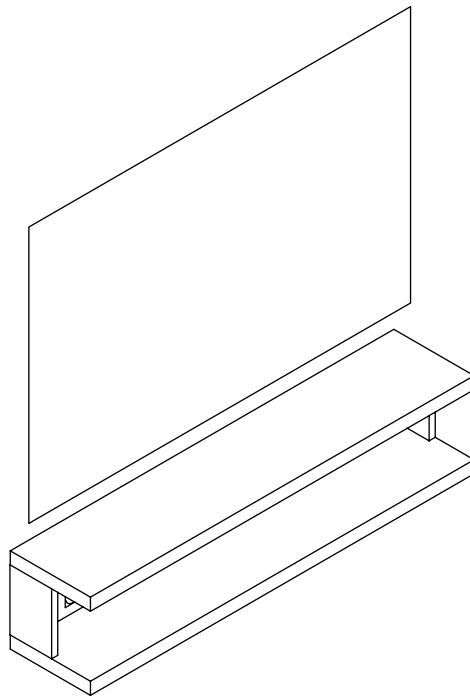


- Instructions -

Nidda

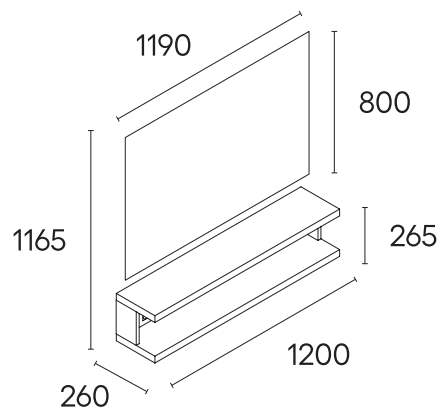
Styling Unit



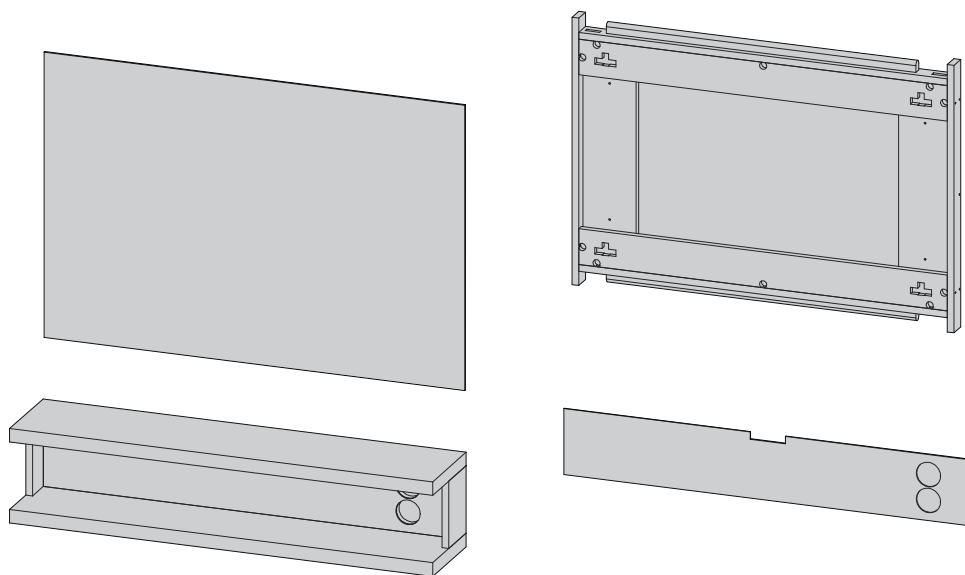
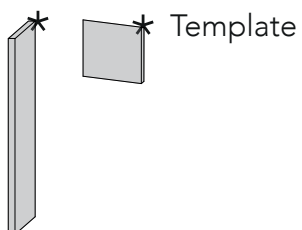
pahi

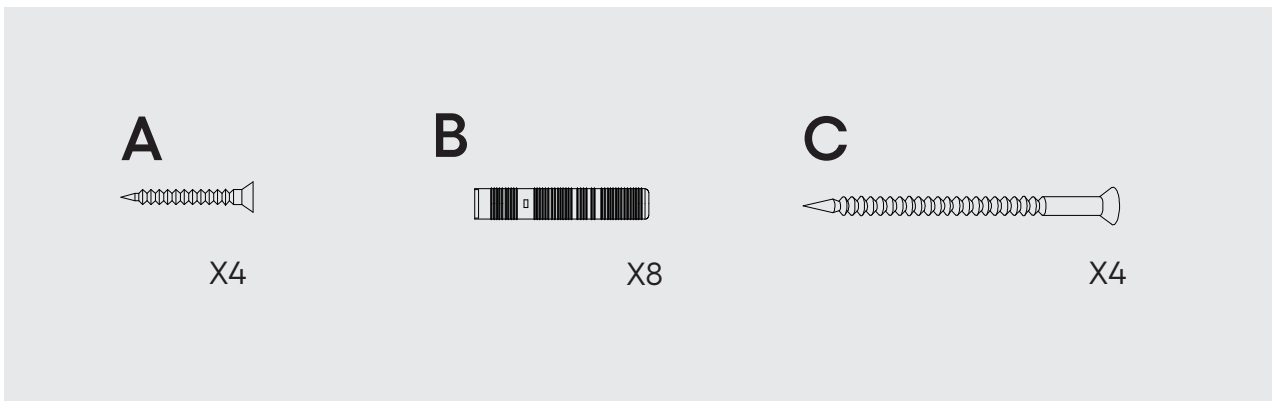
Dimensions /Dimensiones/Dimensions

(mm)



In the box /En la caja/Dans la boîte

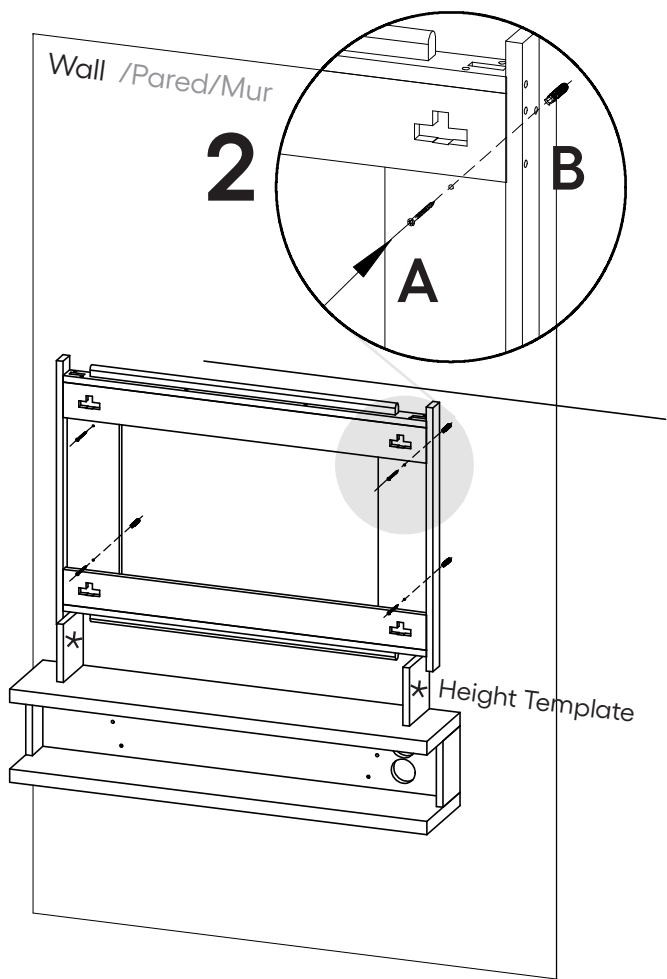
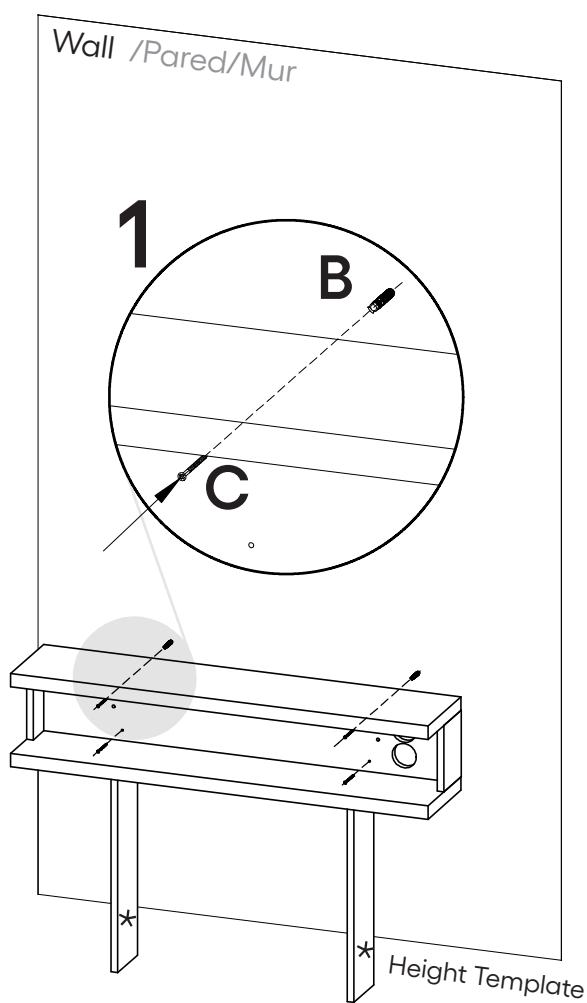


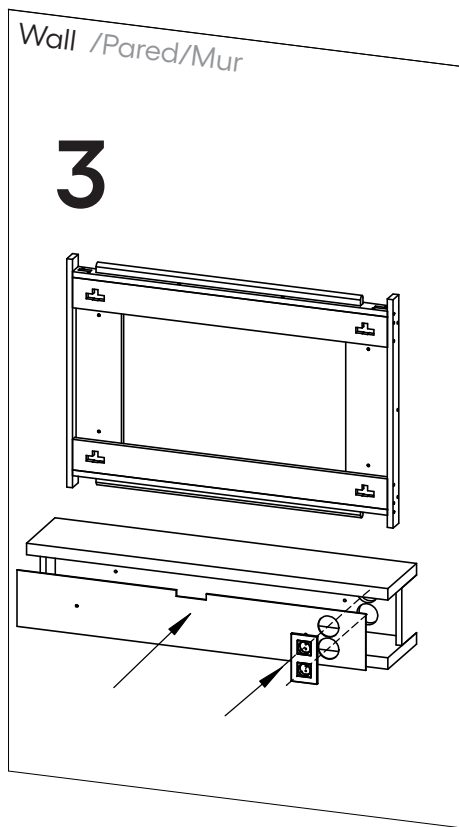


Assembling /Montaje/Assemblage

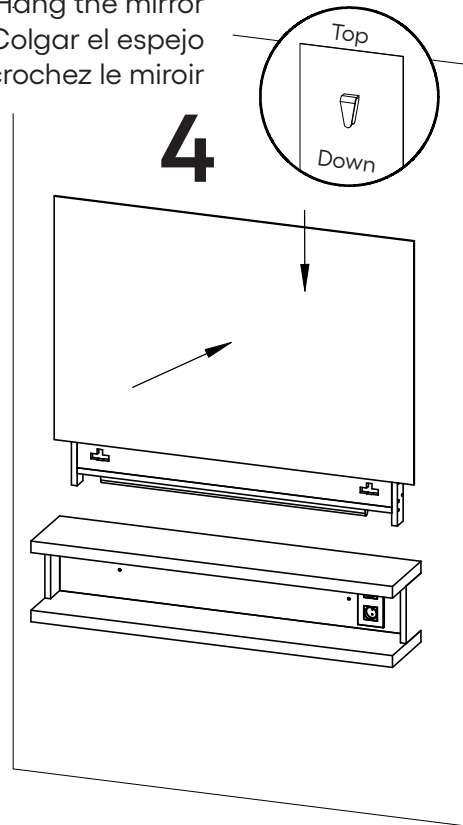


Remove the upholstered front panel before fitting the shelf.
Retire el panel frontal tapizado antes de colocar el estante.
Retirez le panneau avant rembourré avant d'installer l'étagère.



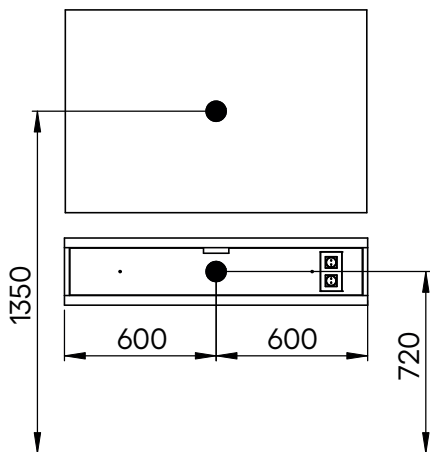


Hang the mirror
/Colgar el espejo
/Accrochez le miroir



Light Entrance Point /Punto de entrada de luz/Point d'entrée de lumière

(mm)



Light information:

2 LED light bulb: 10W 3000K
in Ac 230V 900L



Socket info:

Socket 16A 250V
+ child protection

pahi.com
pahi@pahi.com
T +34 938 890 417

C. Barcelona 32-34
08503 Gurb
Barcelona, Spain

pahi