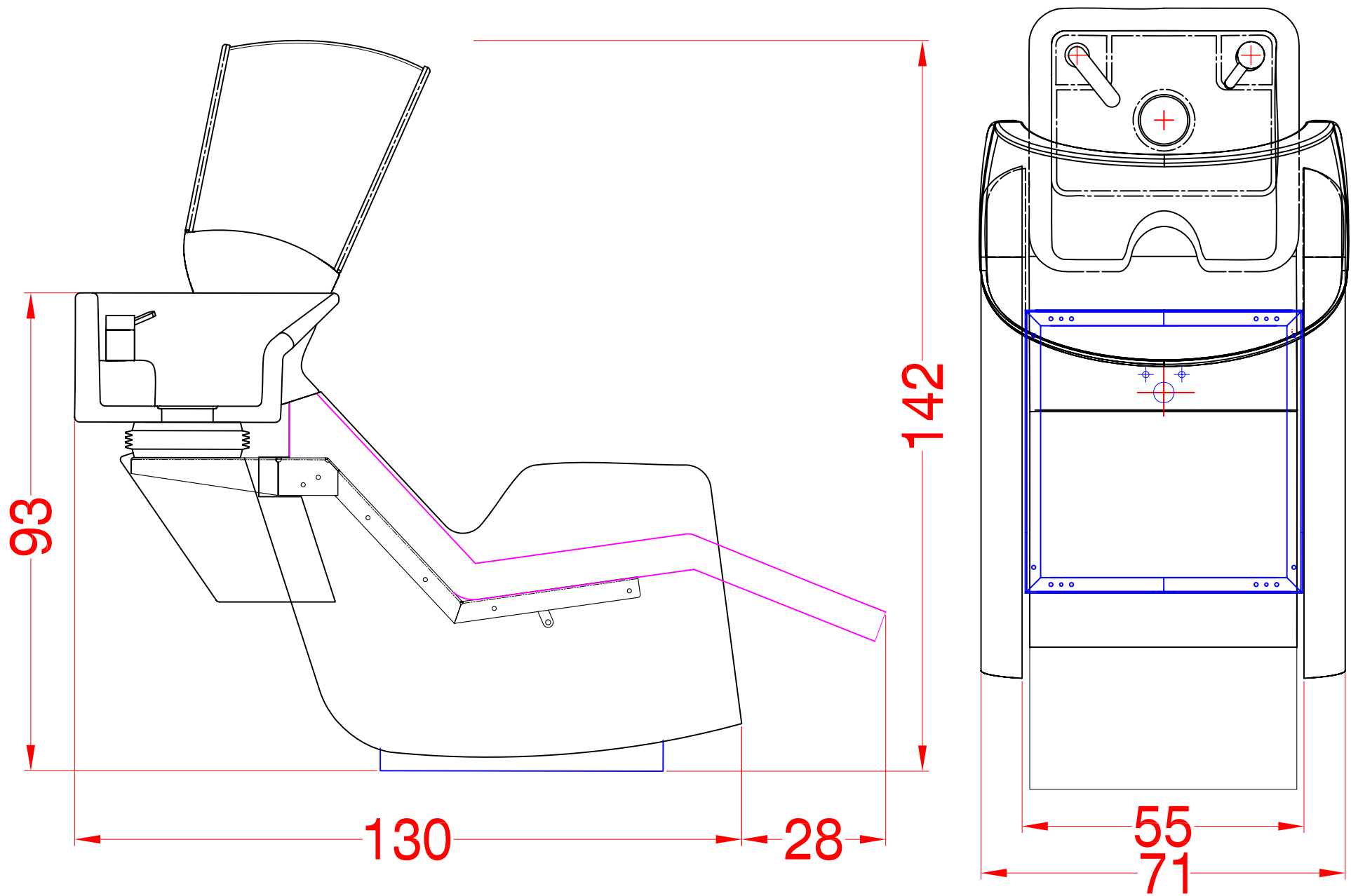


dimensioni Art. GSUW010BN ULTRAWASH SHIATSU CHROMO Q scala 1:10
dimensions Art. GSUW010BN ULTRAWASH SHIATSU CROMO Q scale1:10

formato

A4

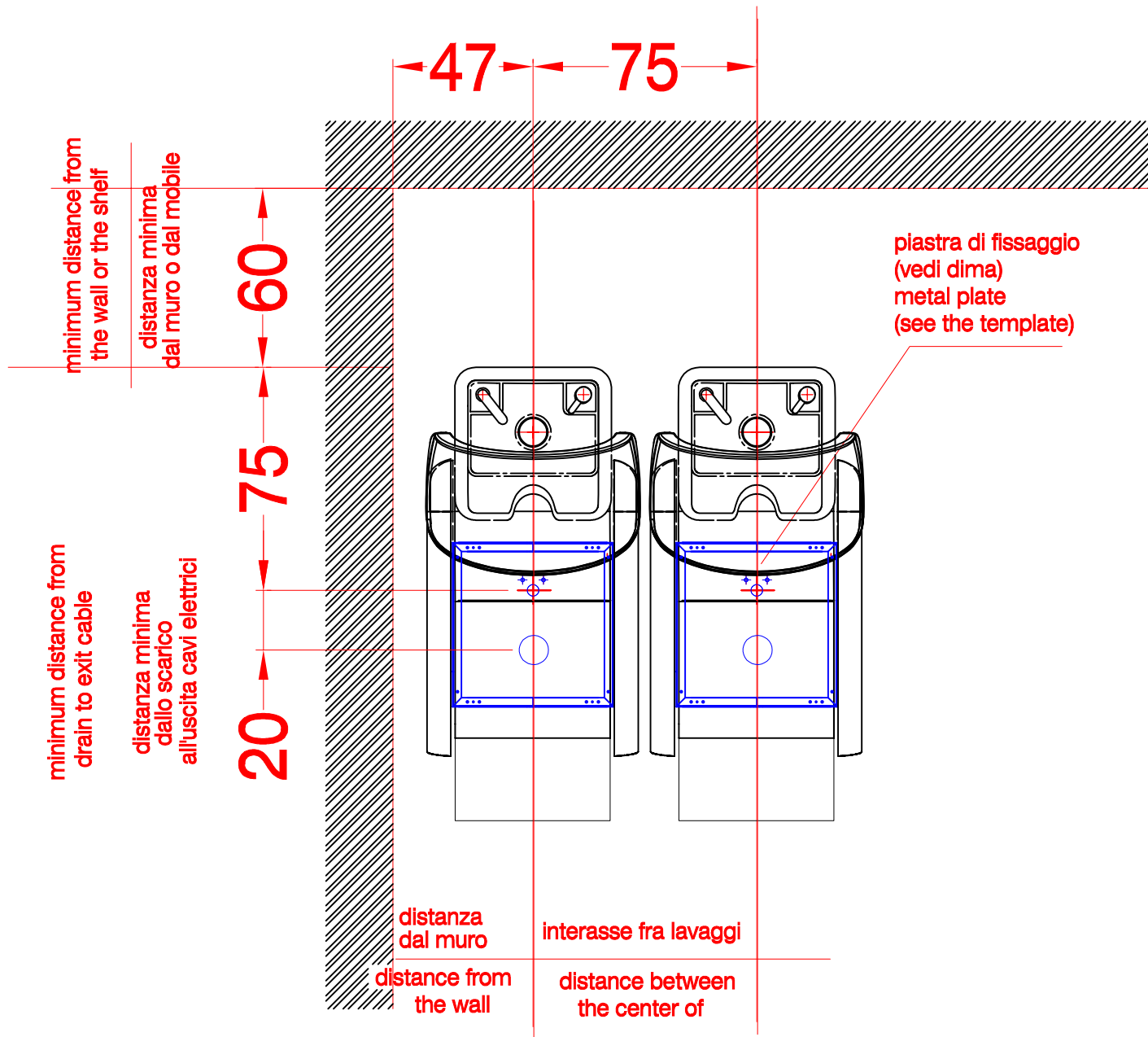


dimensioni Art. GSUW010BN ULTRAWASH SHIATSU CHROMO Q scala 1:10

dimensions Art. GSUW010BN ULTRAWASH SHIATSU CROMO Q scale1:10

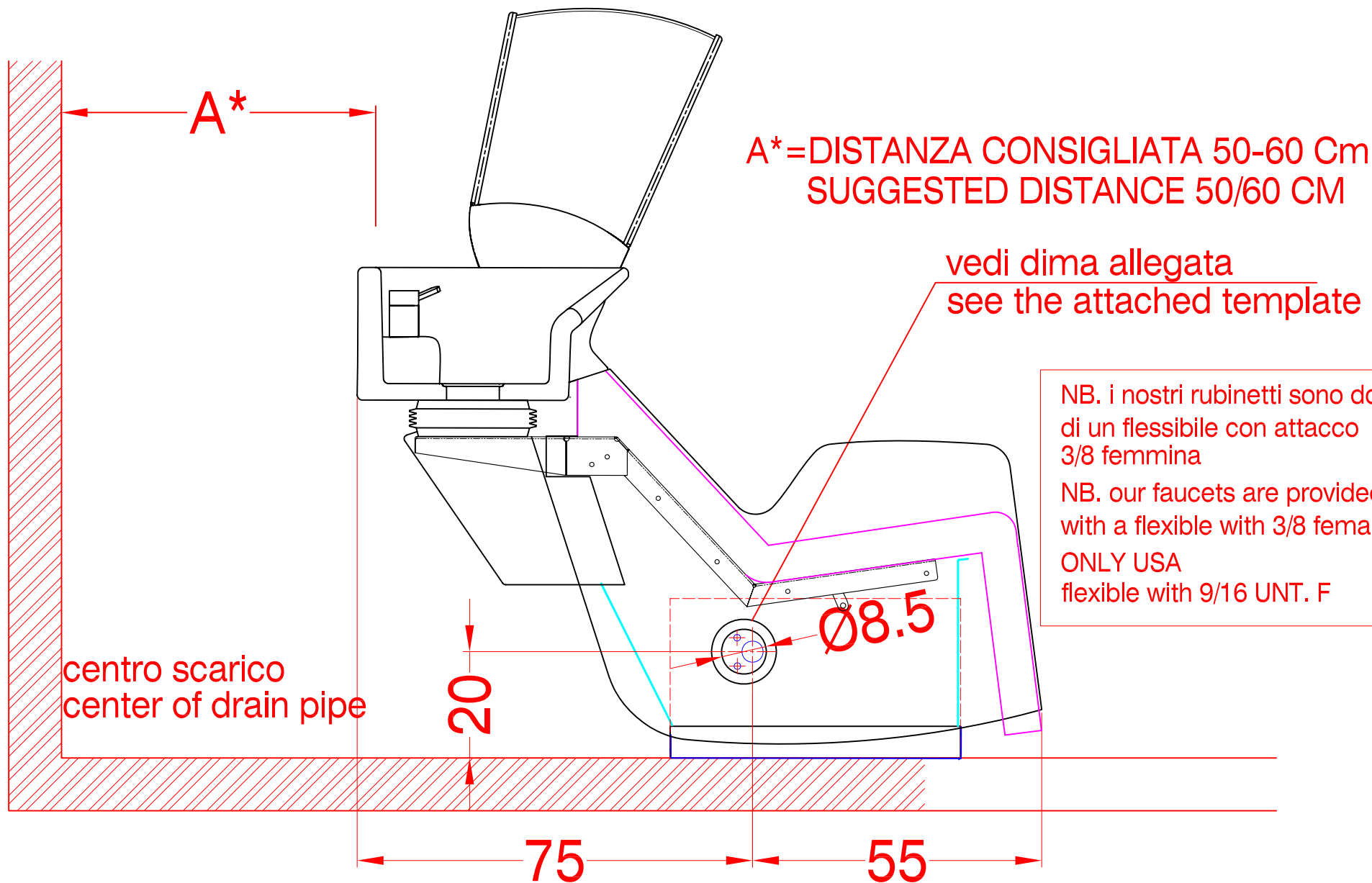
formato

A4



impianti a pavimento Art. GSUW010BN ULTRAWASH SHIATSU CHROMO Q scala 1:20
 floor plumbing Art. GSUW010BN ULTRAWASH SHIATSU CHROMO Q scala 1:20

formato
A4

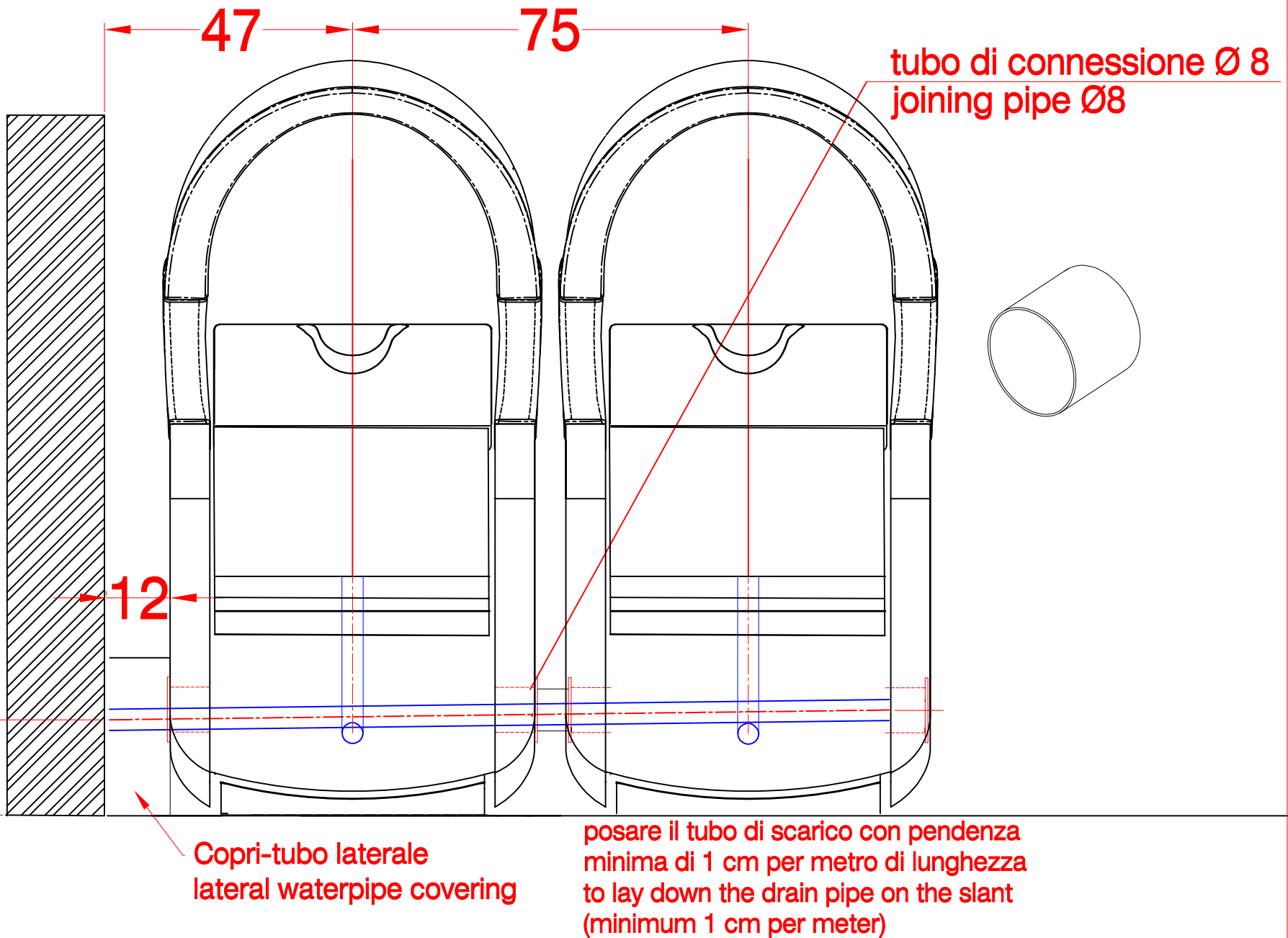


impianti a parete Art. GSUW010BN ULTRAWASH SHIATSU CHROMO Q scala 1:10
wall plumbing Art. GSUW010BN ULTRAWASH SHAIATSU CHROMO Q scale1:10

formato

A4

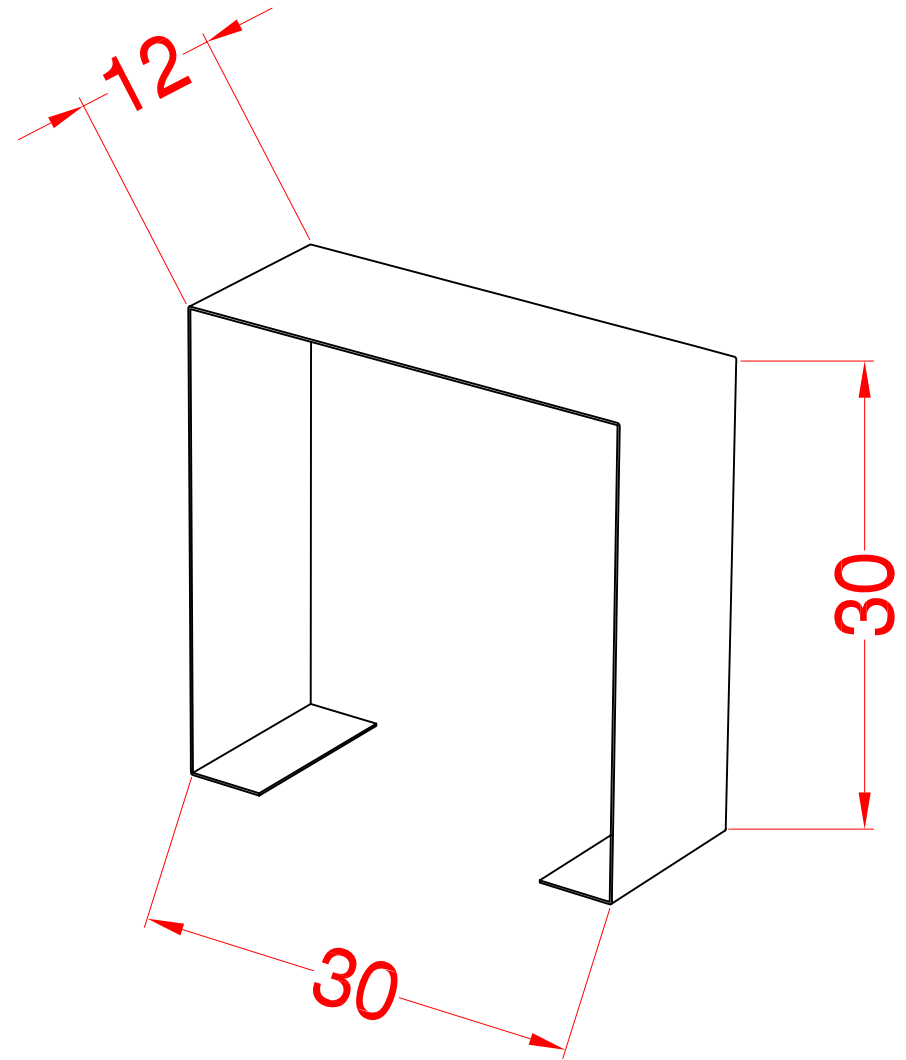
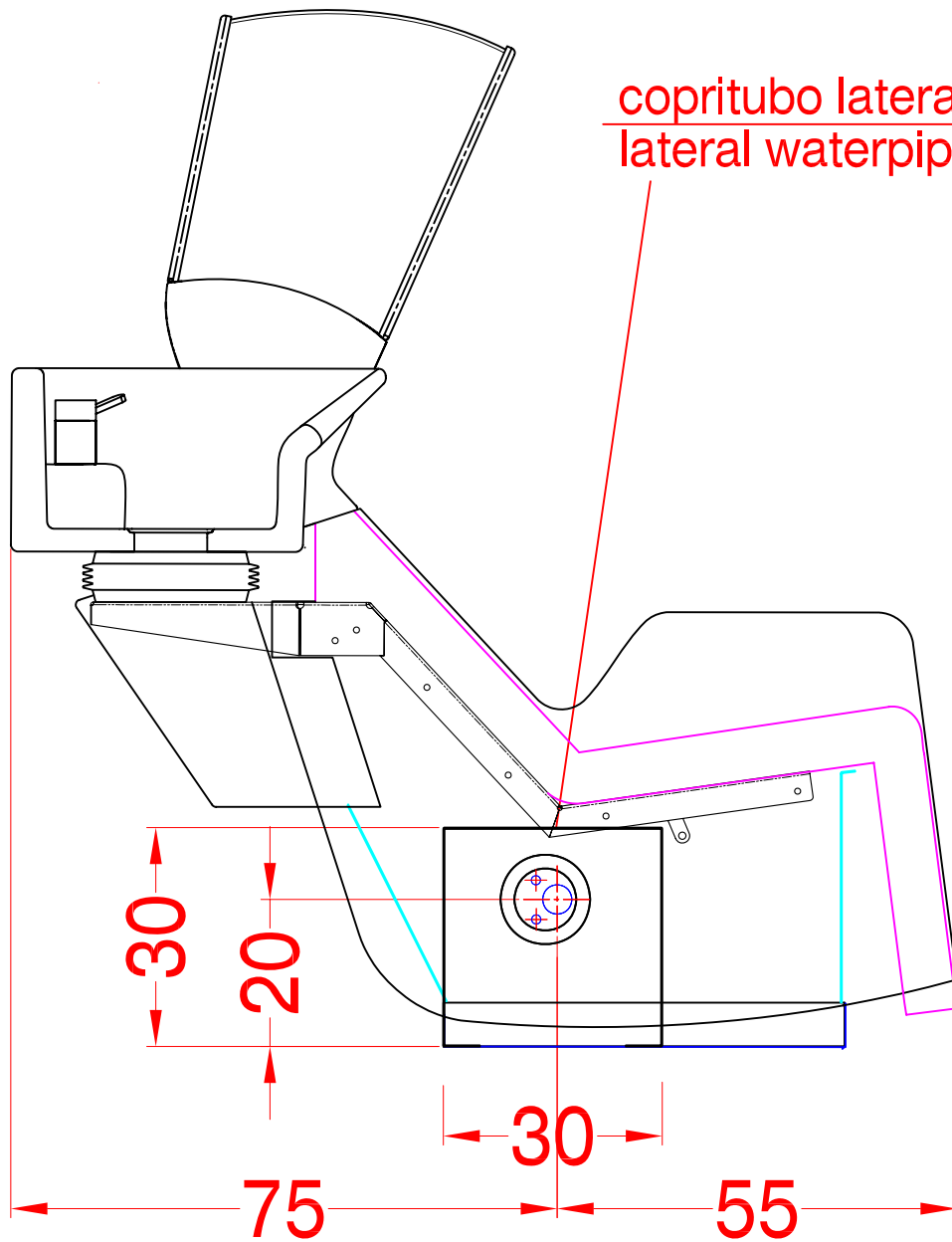
suggested MAX. height of center
of wall drain pipe
altezza MAX. consigliata dello
scarico a parete
h. 18



impianti a parete Art. GSUW010BN ULTRAWASH SHIATSU CHROMO Q scala 1:10
wall plumbing Art. GSUW010BN ULTRAWASH SHIATSU CHROMO Q scale1:10

formato
A4

copritubo laterale in lamiera d'alluminio
lateral waterpipe cover in aluminium sheet

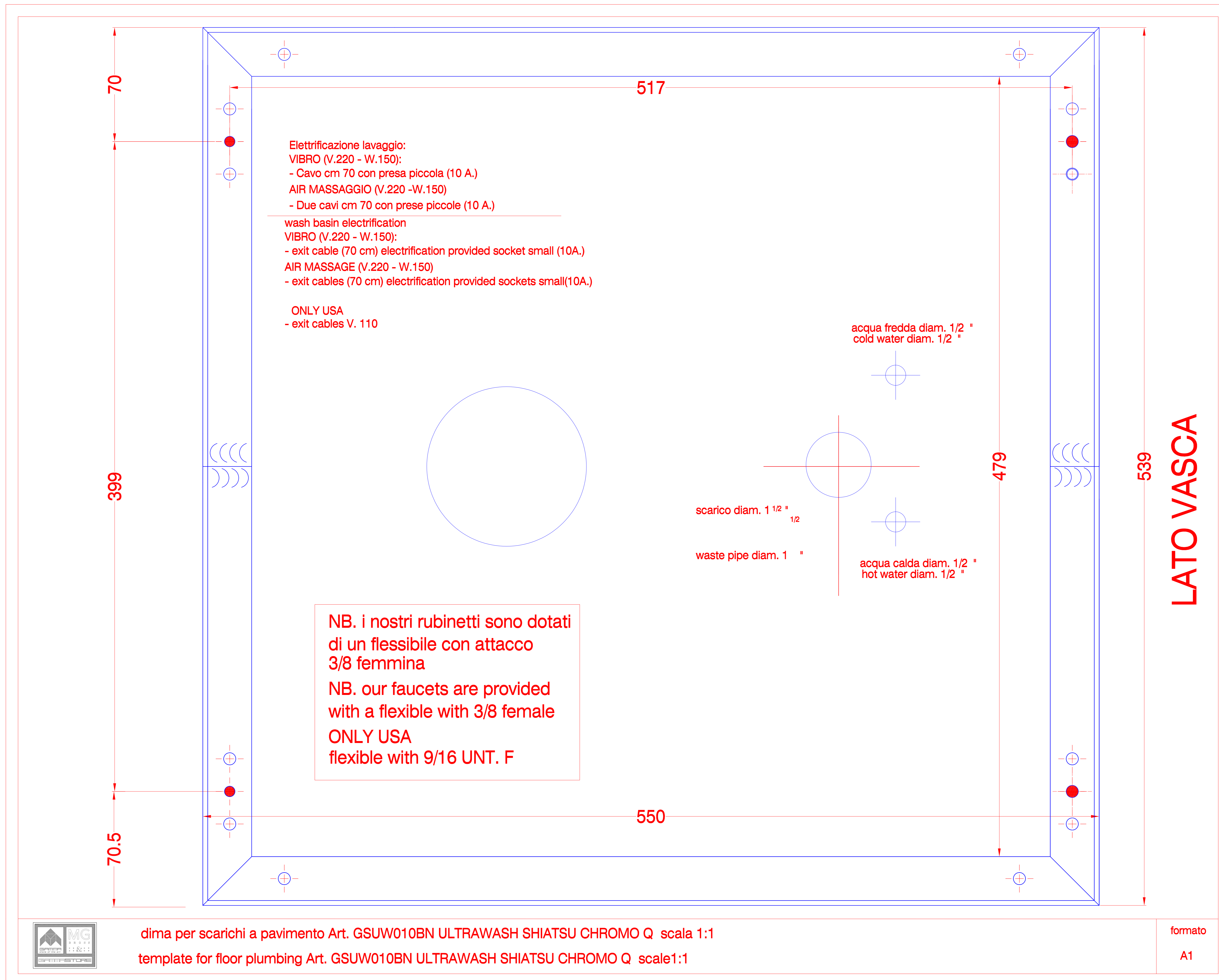


posizione copritubo laterale Art. GSUW010BN ULTRAWASH SHIATSU CHROMO Q scala 1:10

lateral water pipe cover positioning Art. GSUW010BNV ULTRAWASH SHIATSU CHROMO Q scale 1:10

formato

A4



dima per scarichi a pavimento Art. GSUW010BN ULTRAWASH SHIATSU CHROMO Q scala 1:1
 template for floor plumbing Art. GSUW010BN ULTRAWASH SHIATSU CHROMO Q scale1:1

formato
 A1

REAR - BOWL

LATO POSTERIORE - VASCA

h. da terra del foro nel braccio per passaggio scarichi
distance between the floor and the hole for drain pipe

