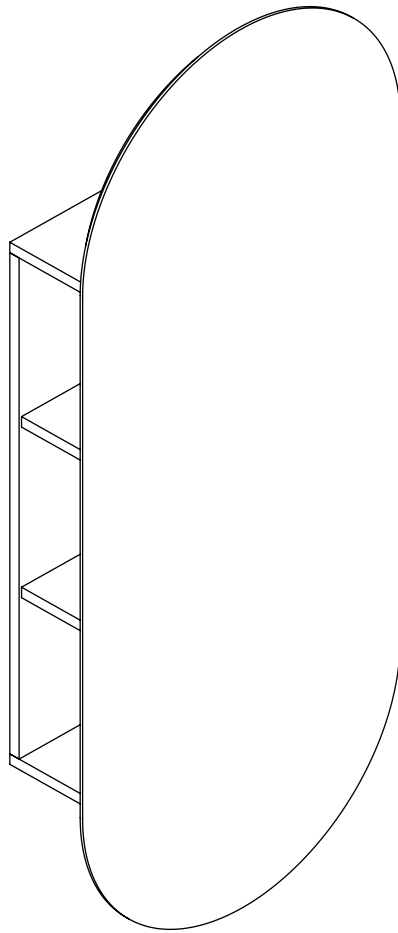


- Instructions -

Amber

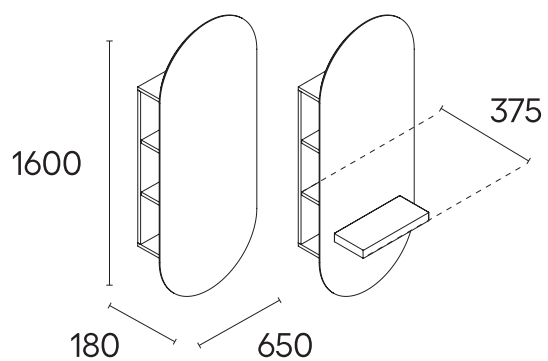
Styling Unit



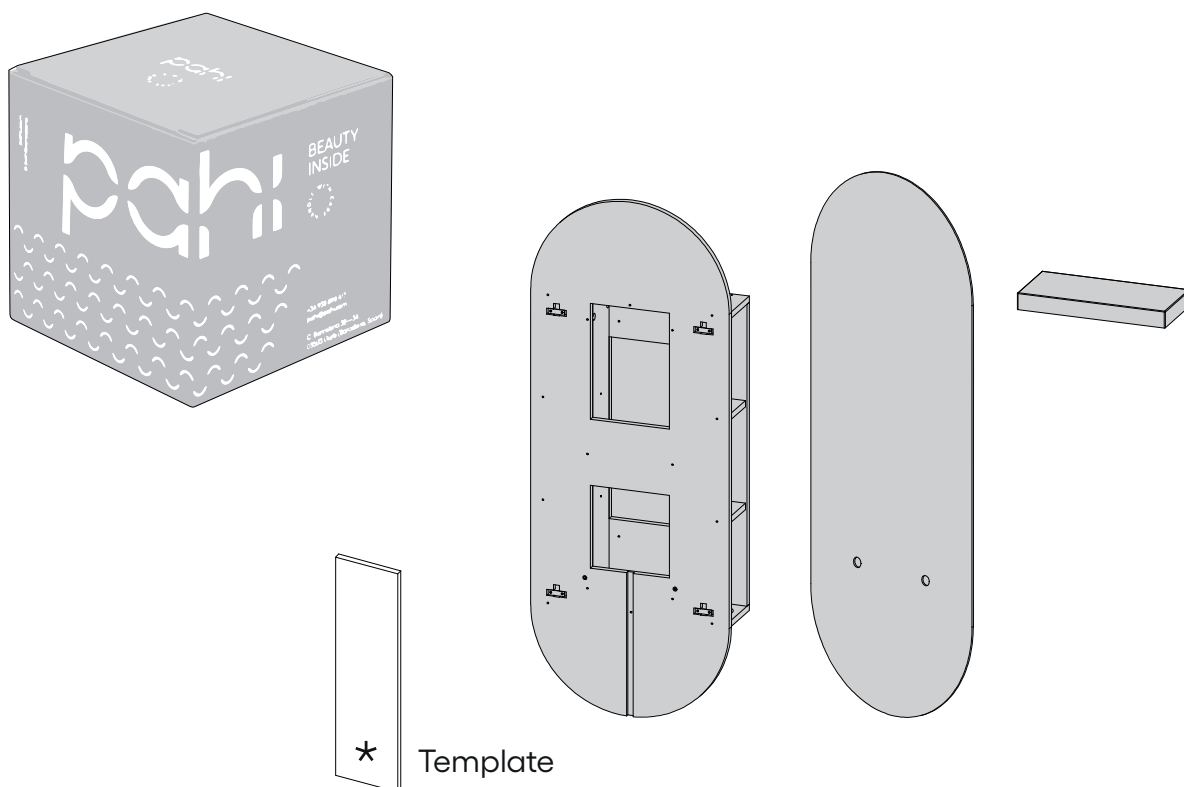
pah

Dimensions /Dimensiones/Dimensions

(mm)



In the box /En la caja/Dans la boîte





Light information:

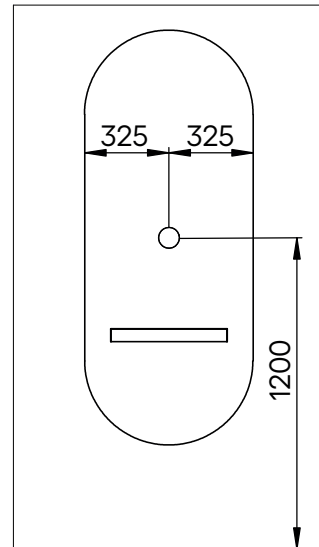
1 LED strip light: 38,4W
3000K L4000mm
1 Converter LED 60W 220AC-in/24DC-out



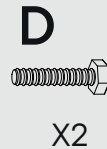
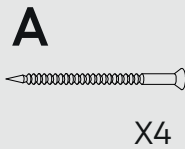
Socket info:

Socket 16A 250V
+ child protection

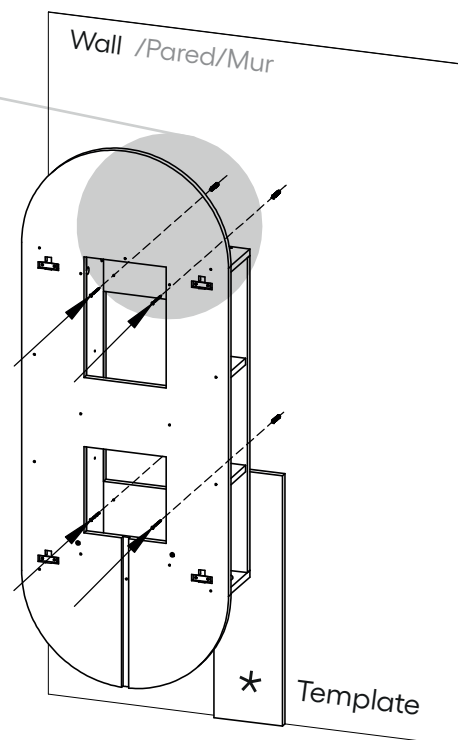
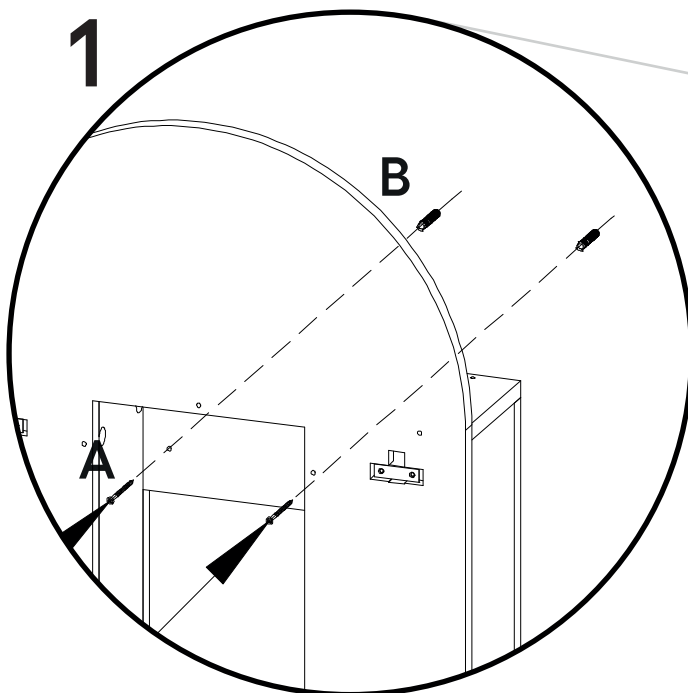
(mm)

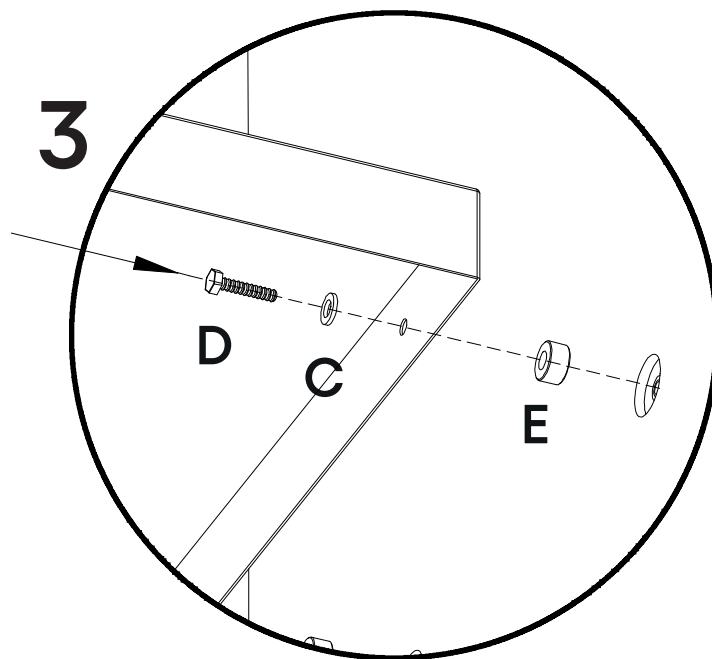
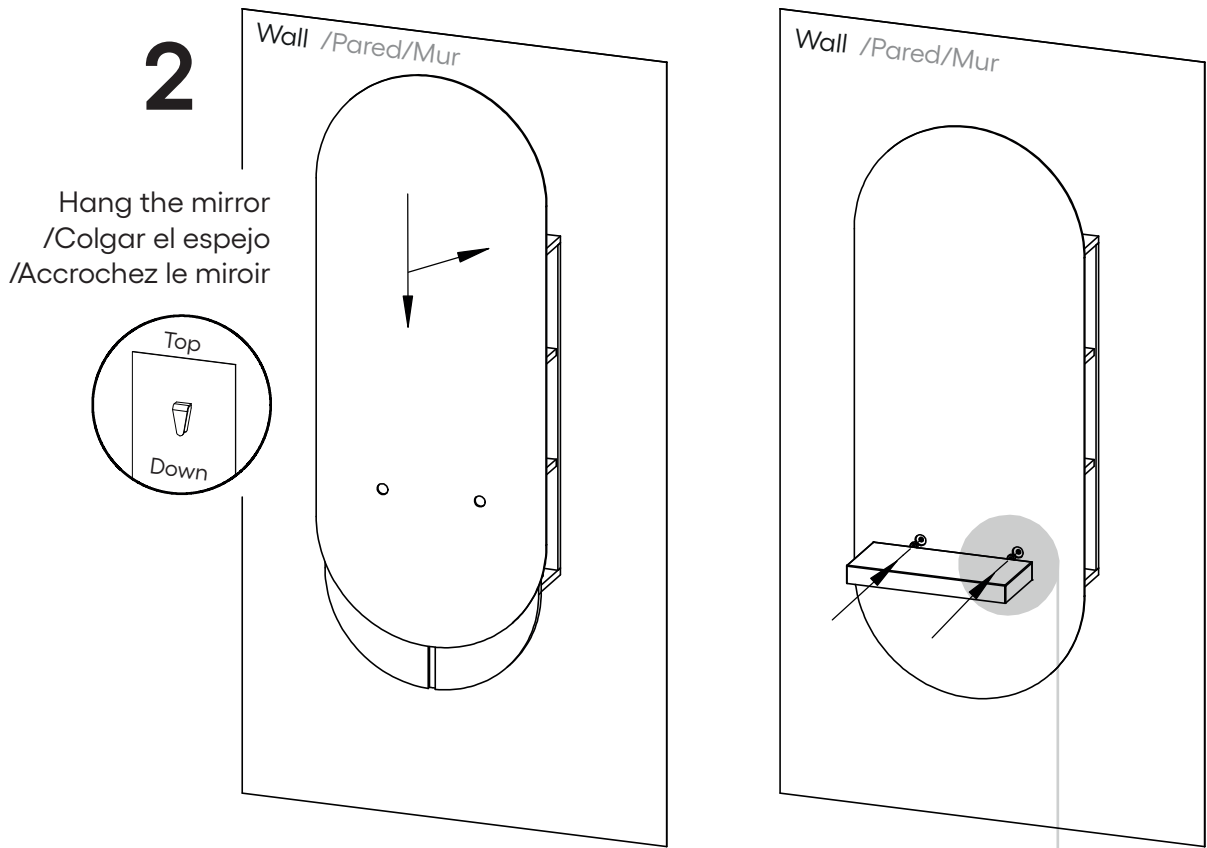


Hardware /Herrajes/Materiel



Assembling /Montaje/Assemblage





pahi.com
pahi@pahi.com
T +34 938 890 417

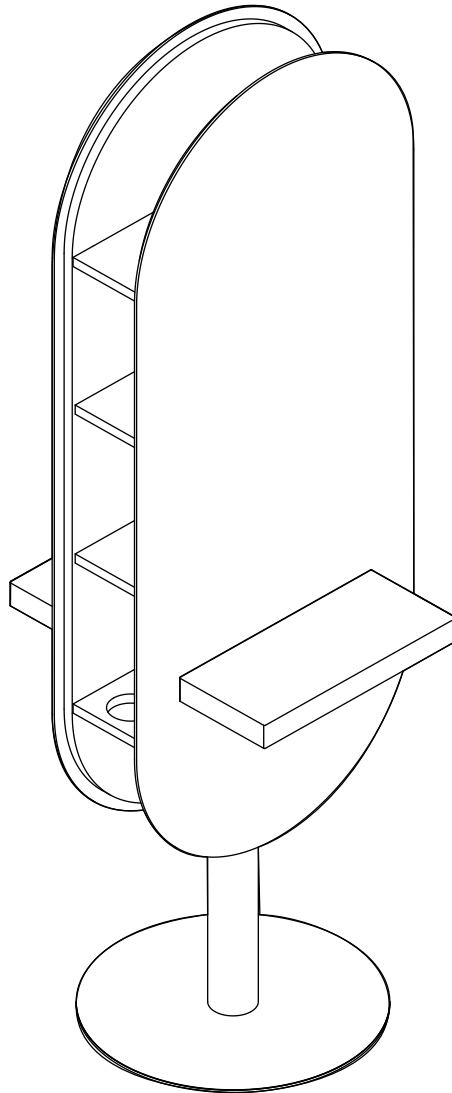
C. Barcelona 32-34
08503 Gurb
Barcelona, Spain

pahi

- Instructions -

Amber ISLAND

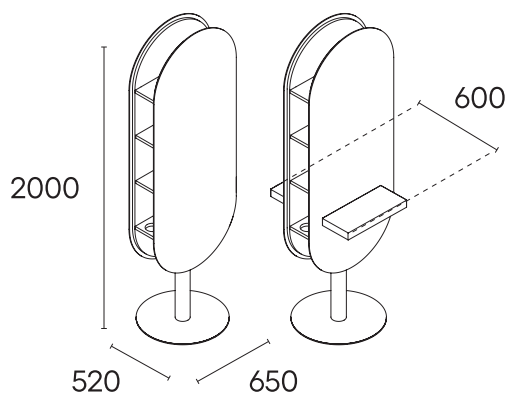
Styling Unit



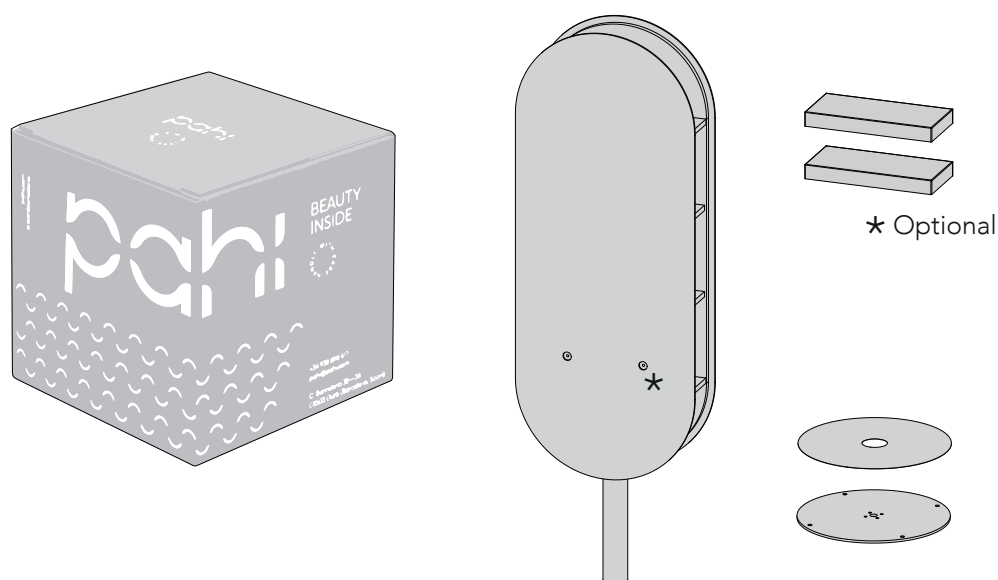
pah

Dimensions /Dimensiones/Dimensions

(mm)



In the box /En la caja/Dans la boîte



Light Entrance Point /Punto de entrada de luz/Point d'entrée de lumière



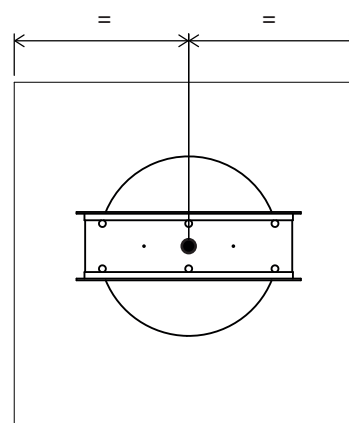
Light information:

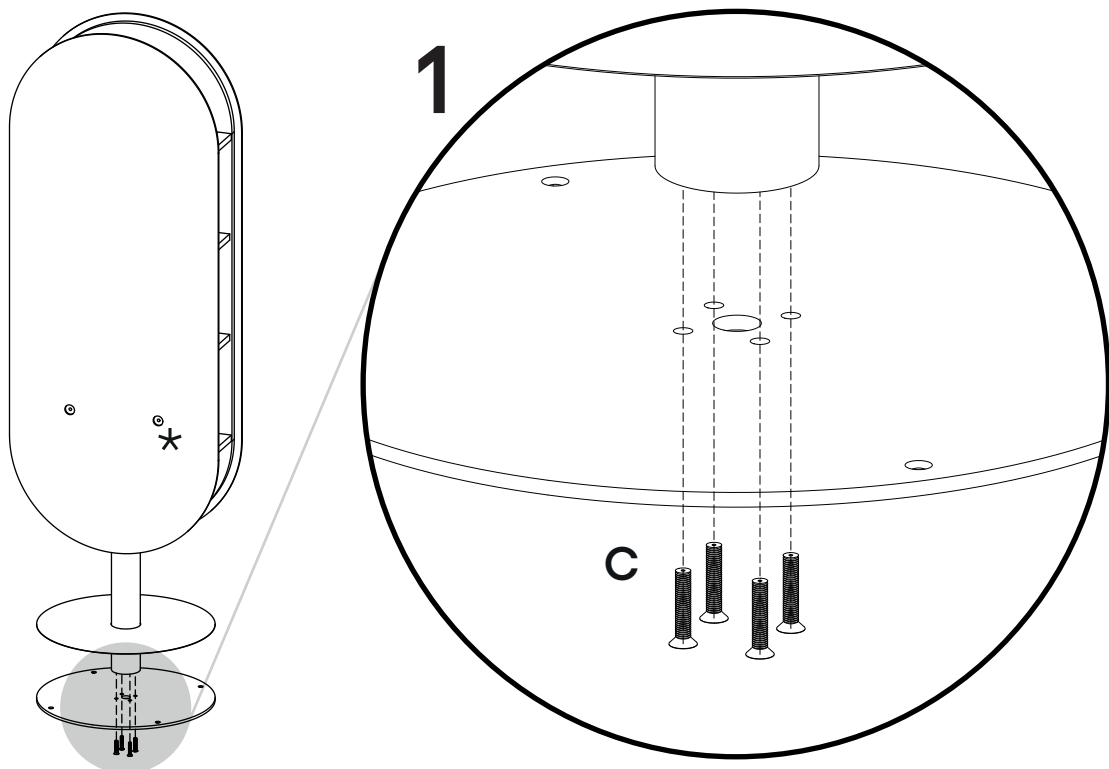
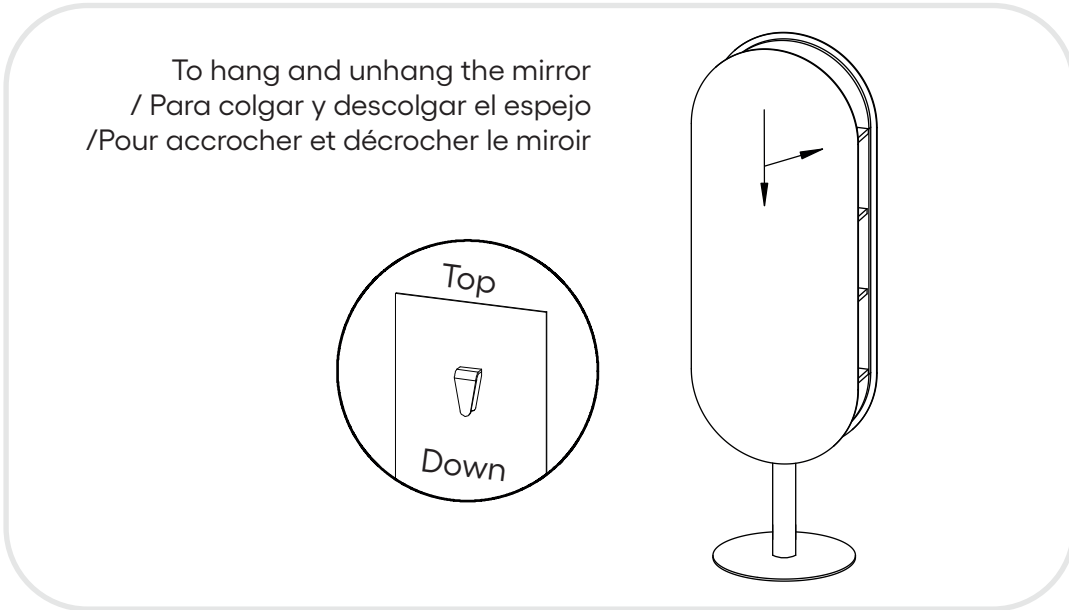
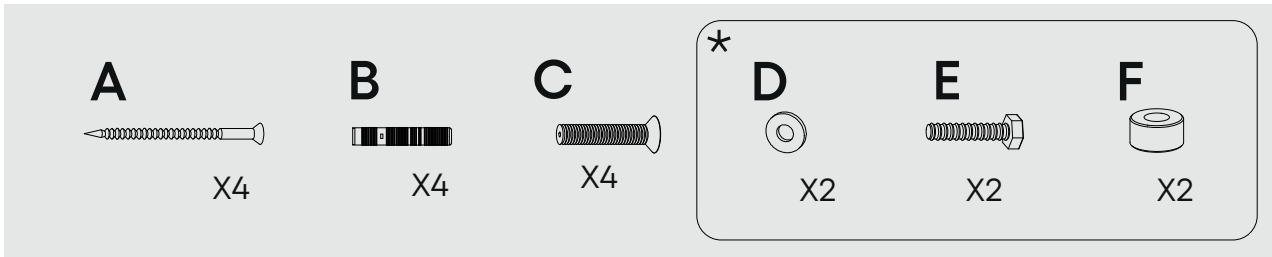
2 LED strip light: 38,4W
3000K L4000mm
1 Converter LED 100W 220AC-in/24DC-out

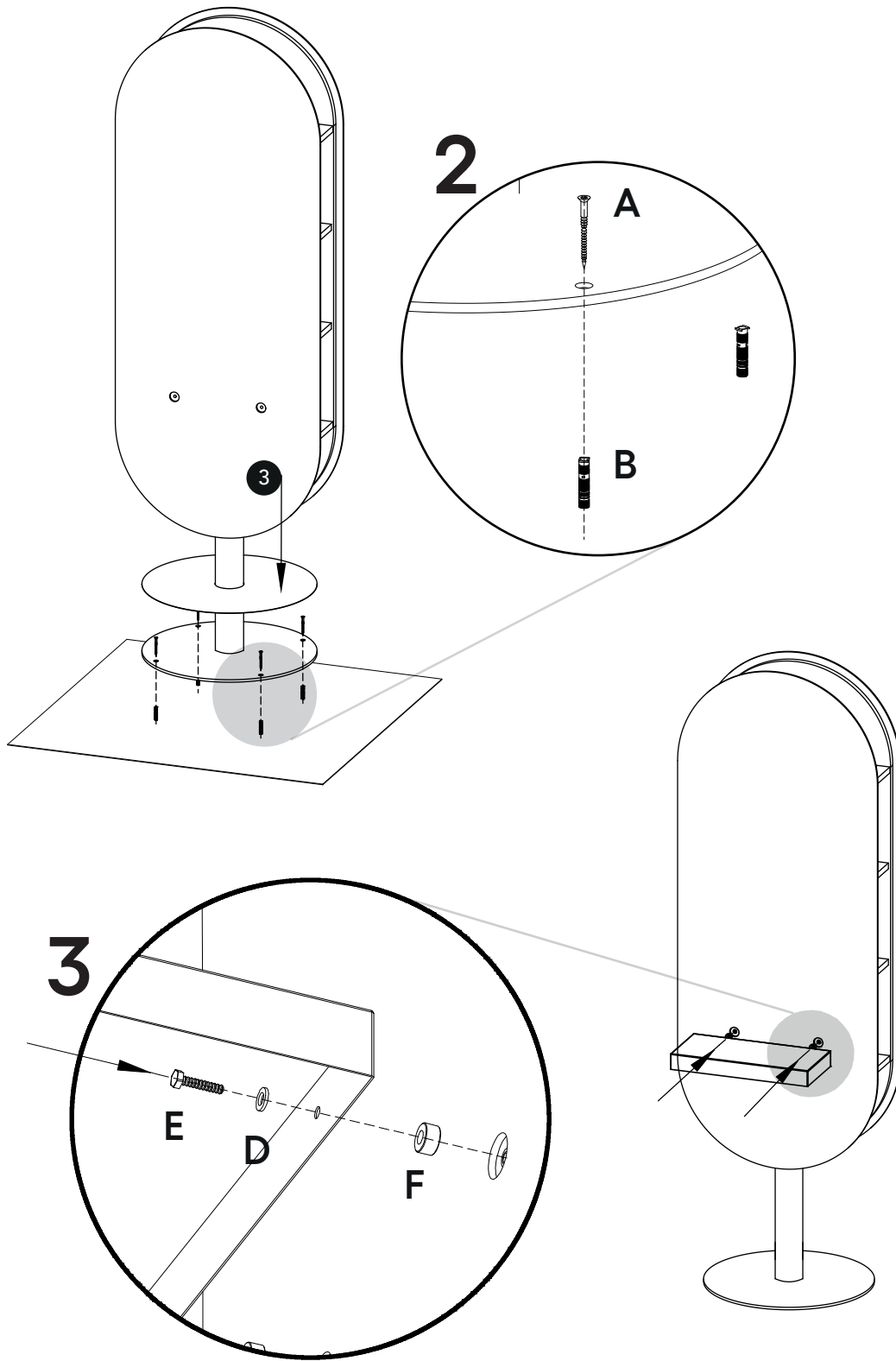


Socket info:

Socket 16A 250V
+ child protection







pahi.com
 pahi@pahi.com
 T +34 938 890 417

C. Barcelona 32-34
 08503 Gurb
 Barcelona, Spain

