

LEG RAISE MOTOR CONTROL TROUBLESHOOTING



Read carefully the instructions specified in this booklet
before using the backwash

G A M M A *&* B R O S S S p A

GAMMA & BROSS
Via Mazzini, 62/E
46043 Castiglione delle Stiviere (MANTOVA) - ITALIA

THE PROPERTY RIGHTS OF THIS BOOKLET ARE RESERVED. ITS REPRODUCTION
OR TRANSMISSION TO THIRD PARTIES IS FORBIDDEN WITHOUT THE AUTHORISATION OF THE OWNING COMPANY. THE
POWER TO PROTECT ITS RIGHTS IS RESERVED AND OFFENDERS SHALL BE PROSECUTED.

INDEX

CHAPTER	SECTION	Pag.
CHAPTER 1	SAFETY RULES, WARRANTY, BILL OF MATERIALS	03
1.1	INTRODUCTION:	03
1.2	WARRANTY	04
1.3	EXCLUSIONS FROM WARRANTY:	04
1.4	BILL OF MATERIALS	04
1.5	STANDARD ELECTRICAL LAY-OUT – ELECTRICAL VERSION	05
1.6	STANDARD ELECTRICAL LAY-OUT – SHIATSU AIR MASSAGE	06
1.7	STANDARD ELECTRICAL LAY-OUT – SHIATSU AIR MASSAGE WITH SHUNT BOX	07
CHAPTER 2	TROUBLESHOOTING: WHAT TO DO IF...	08
2.1.	THE LEG RAISE MOTOR DOESN'T WORK	08
2.2	THE LEG RAISE MOTOR LIFTS / CLOSES INCOMPLETELY	11
2.3	THE LEG RAISE MOTOR IS NOISY	12

CHAPTER 1

SAFETY RULES, WARRANTY, BILL OF MATERIALS

1.1 INTRODUCTION

This booklet contains the necessary instructions for installation, proper use and regular maintenance of **LEG RAISE MOTOR CONTROL** unit, installed by **GAMMA & BROSS** spa in Castiglione delle Stiviere (Mantova) – Italy.

Here the user will find useful information regarding the safe use and proper maintenance of the **LEG RAISE MOTOR CONTROL**



This booklet is an integral part of the product and must be carefully kept in a safe place in order to consult it throughout the equipment service life. Copies of this user's manual are available upon request to:

GAMMA & BROSS S.p.A

GAMMA & BROSS
Via Mazzini, 62 / E

46043 Castiglione delle Stiviere (MANTOVA) - ITALIA

The observance of and compliance with the instructions herein contained ensure the operator's safety and **LEG RAISE MOTOR CONTROL** correct operation, low running costs and lifetime. It is compulsory to comply with the instructions in this booklet.



GAMMA & BROSS shall not be held responsible for any damages, direct or indirect, caused to people, animals or objects resulting from negligence or non-compliance with the instructions contained herein.

1.2 WARRANTY

GAMMA & BROSS guarantees **LEG RAISE MOTOR CONTROL** and its accessories for a 12-month period from the purchase date. This warranty is understood as repair or replacement free of charge of those parts which, after a careful examination carried out by the Manufacturer Technical Service, are considered faulty, with the exception of all the electrical parts. Warranty is limited to defects on materials, and it ceases whenever the parts involved are tampered with or dismantled by unauthorised personnel. Responsibilities for direct or indirect damage to people, animals or things caused by failures or malfunctions of the equipment are excluded from the warranty. Expenses for transportation, VAT and others not specified in the supply agreement shall be charged to the buyer. The replacement or repair of warranted materials does not extend the warranty period. The buyer shall have the right to exert his/her warranty rights only if the warranty terms and conditions specified in the supply agreement have been fulfilled. Whenever the parties do not intend to solve the controversies arising from the supply agreement in an arbitral award or in case a decision is requested to an ordinary Court, only the Court of Mantova shall have territorial jurisdiction.

1.3 EXCLUSIONS FROM WARRANTY

Upon delivery, it is necessary to check that the equipment has not been damaged during transportation and that the set of accessories is complete and in good condition. Claims must be filed within 8 days after the delivery of the **LEG RAISE MOTOR CONTROL** unit. Apart from the cases specified in the supply agreement, **the warranty is void when:**

-) The malfunctioning is attributable to the operator.
-) The instructions in this booklet are not followed.
-) The **LEG RAISE MOTOR CONTROL** has suffered changes after repair operations performed by a third party unauthorised by **GAMMA & BROSS**.

1.4 BILL OF MATERIALS



1 - Actuator LM 35 - 05



2 - Transformer / Power Box PS10



3 - 2 buttons remote control for Electric version



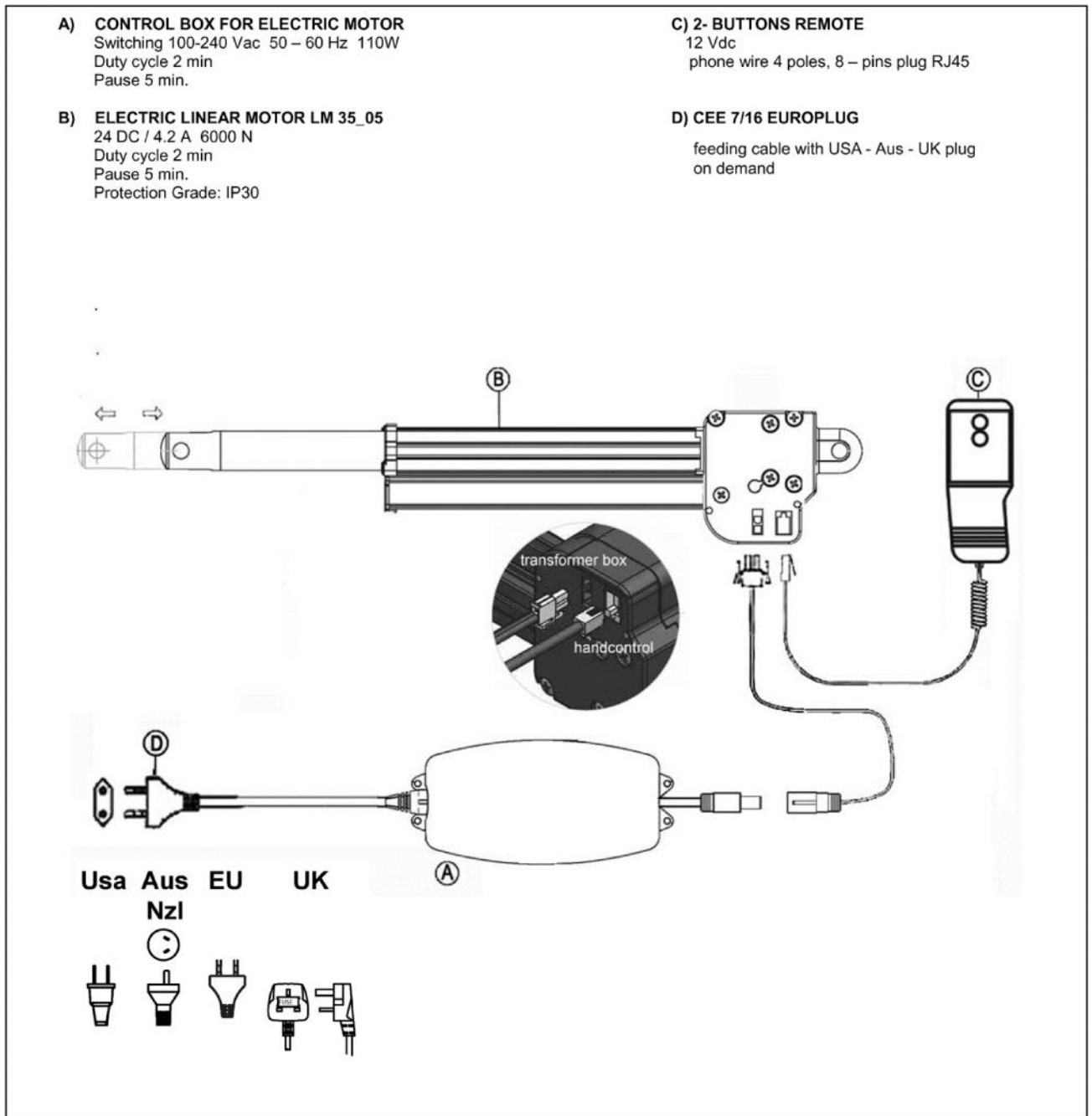
4 - 7 buttons remote control for air massage version



5 - 2-ways RJ-45 connector

1.5

STANDARD ELECTRICAL LAY-OUT - ELECTRICAL VERSION



GAMMA & BROSS spa - Via Mazzini, 62/E - 46043 CASTIGLIONE DELLE STIVIERE (MN)

1.6

STANDARD ELECTRICAL LAY-OUT - SHIATSU AIR MASSAGE VERSION

A) CONTROL BOX FOR ELECTRIC MOTOR
 Switching 100-240 Vac 50 – 60 Hz 110W
 Duty cycle 2 min
 Pause 5 min.

B) ELECTRIC LINEAR MOTOR LM 35
 24 DC / 4.2 A 6000 N
 Duty cycle 2 min
 Pause 5 min.
 Protection Grade: IP30

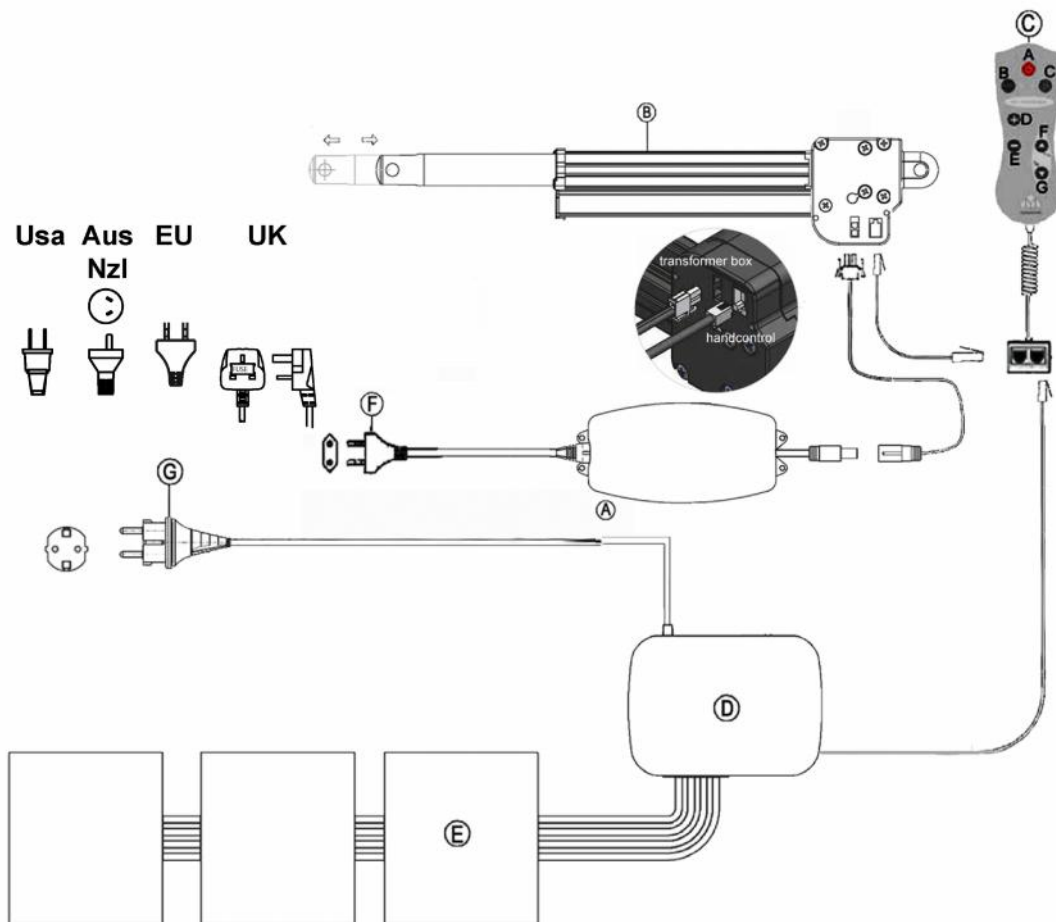
C) 7- BUTTONS REMOTE CONTROL
 12 Vdc.
 phone wire 4 poles, 8 – pins plug RJ45

D) SHIATSU AIR MASSAGE SYSTEM
 Pneumatic Pump 40W 13V / 2.5A
 50 – 60 Hz

E) AIR INFLATED MAT

F) CEE 7/16 EUROPLUG
 feeding cable with USA - Aus - UK plug
 on demand

G) CEE 7/4 SHUCKO PLUG



1.7

STANDARD ELECTRICAL LAY-OUT – SHIATSU AIR MASSAGE VERSION WITH SHUNT BOX

A) CONTROL BOX FOR ELECTRIC MOTOR

Switching 100-240 Vac 50 – 60 Hz 110W
Duty cycle 2 min
Pause 5 min.

B) ELECTRIC LINEAR MOTOR LM 35

24 DC / 4.2 A 6000 N
Duty cycle 2 min
Pause 5 min.
Protection Grade: IP30

C) 7- BUTTONS REMOTE CONTROL

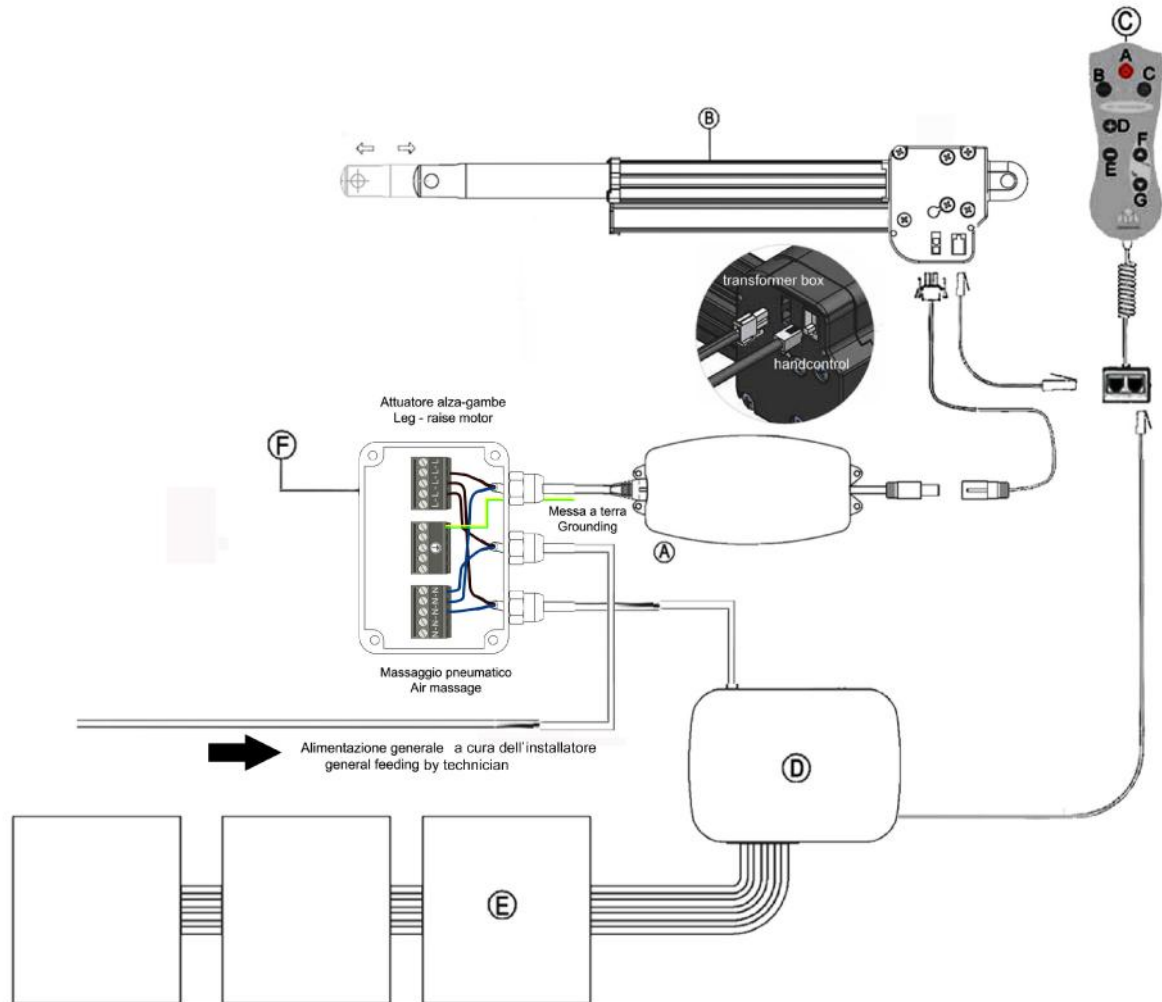
12 Vdc.
phone wire 4 poles, 8 – pins plug RJ45

D) SHIATSU AIR MASSAGE SYSTEM

Pneumatic Pump 40W 13V / 2.5A
50 – 60 Hz

E) AIR INFLATED MAT

F) SHUNT BOX

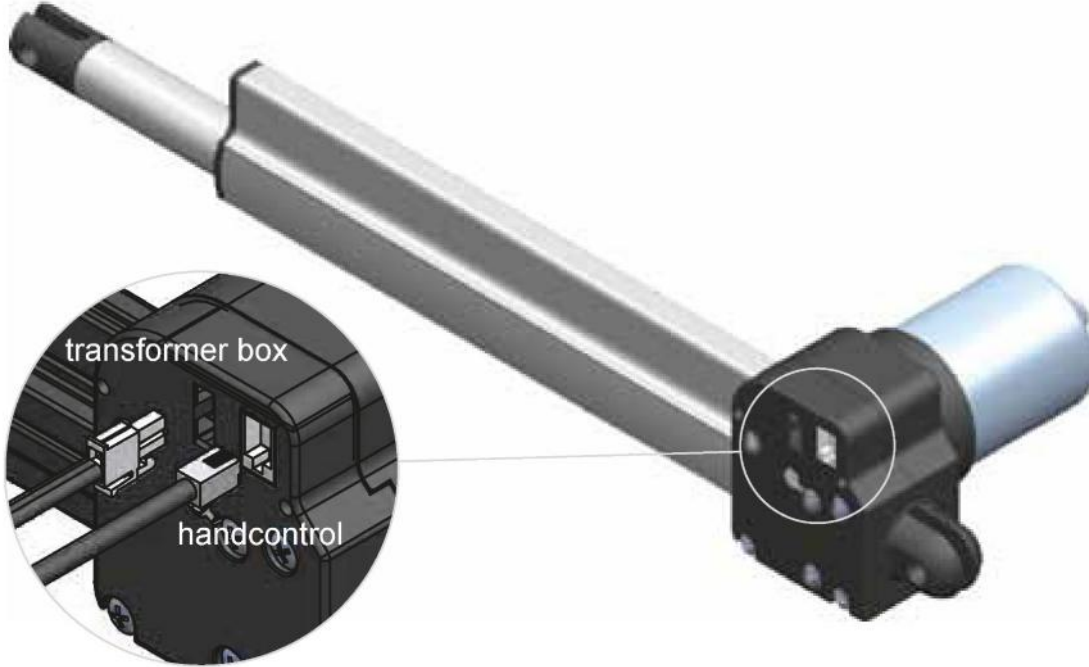


CHAPTER 2

TROUBLESHOOTING: WHAT TO DO IF...

2.1 THE LEG RAISE MOTOR DOESN'T WORK

Check the connection between: motor – transformer box – hand remote control



Check the proper feeding of remote control,. **The RED POWER LIGHT is to be turned on.**



If red light is off, perhaps some damages occurred to the remote control feeding cable, due to fracture or slip off. **Carefully check the cable gland**

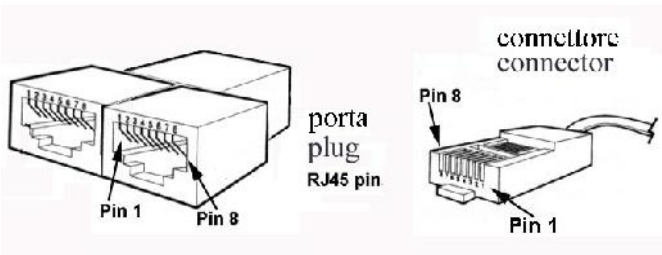
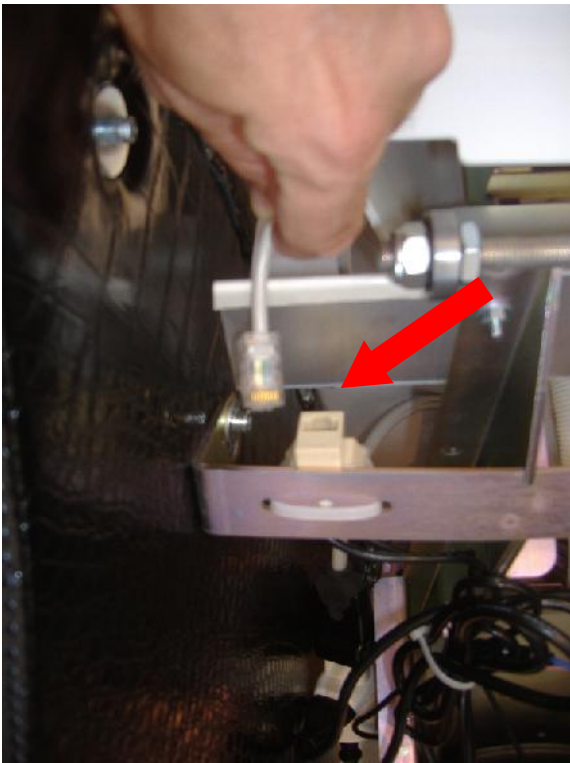
LEG RAISE MOTOR CONTROL TROUBLESHOOTING



Try to unplug the remote control and connect it once again to the 4-poles phone socket RJ 45. The socket is fixed to the metal frame with a cable tie. **Use a clearing spray to wipe out the connector and prevent oxidation**

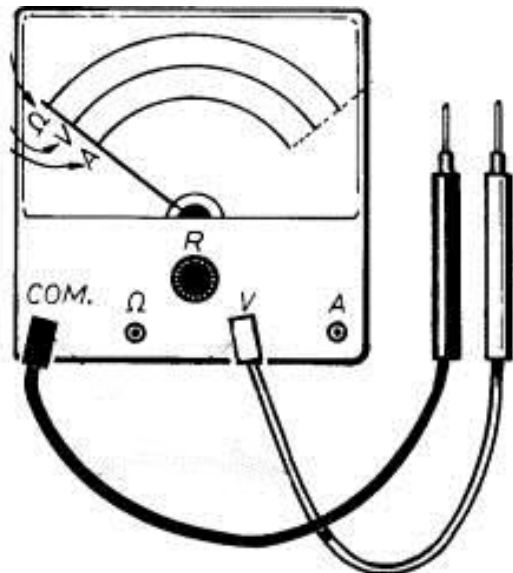
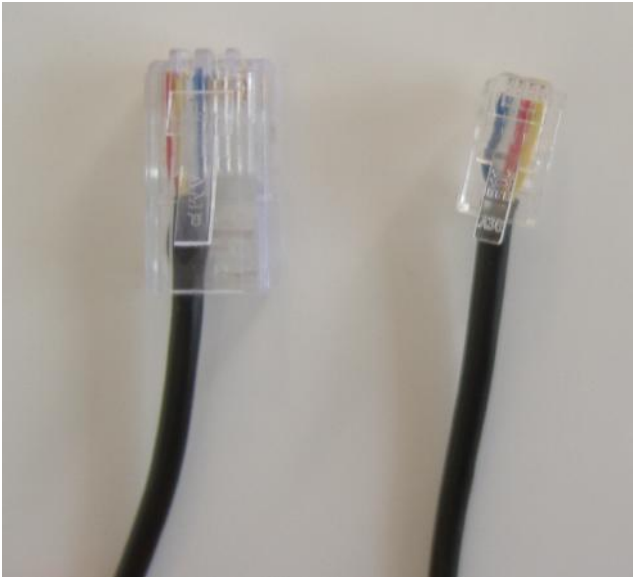


LEG RAISE MOTOR CONTROL TROUBLESHOOTING



Sometimes, no current passes and it's enough to shake the RJ plug to restore link between the remote control and the leg raise motor .

We suppose that the wires inside the plugs could be crimped not properly. **Use a Tester to check if current passes or not.**



2.2 THE LEG RAISE MOTOR LIFTS / CLOSES INCOMPLETELY

If the footrest doesn't open / shut properly, motor micro-switches fine tuning is needed

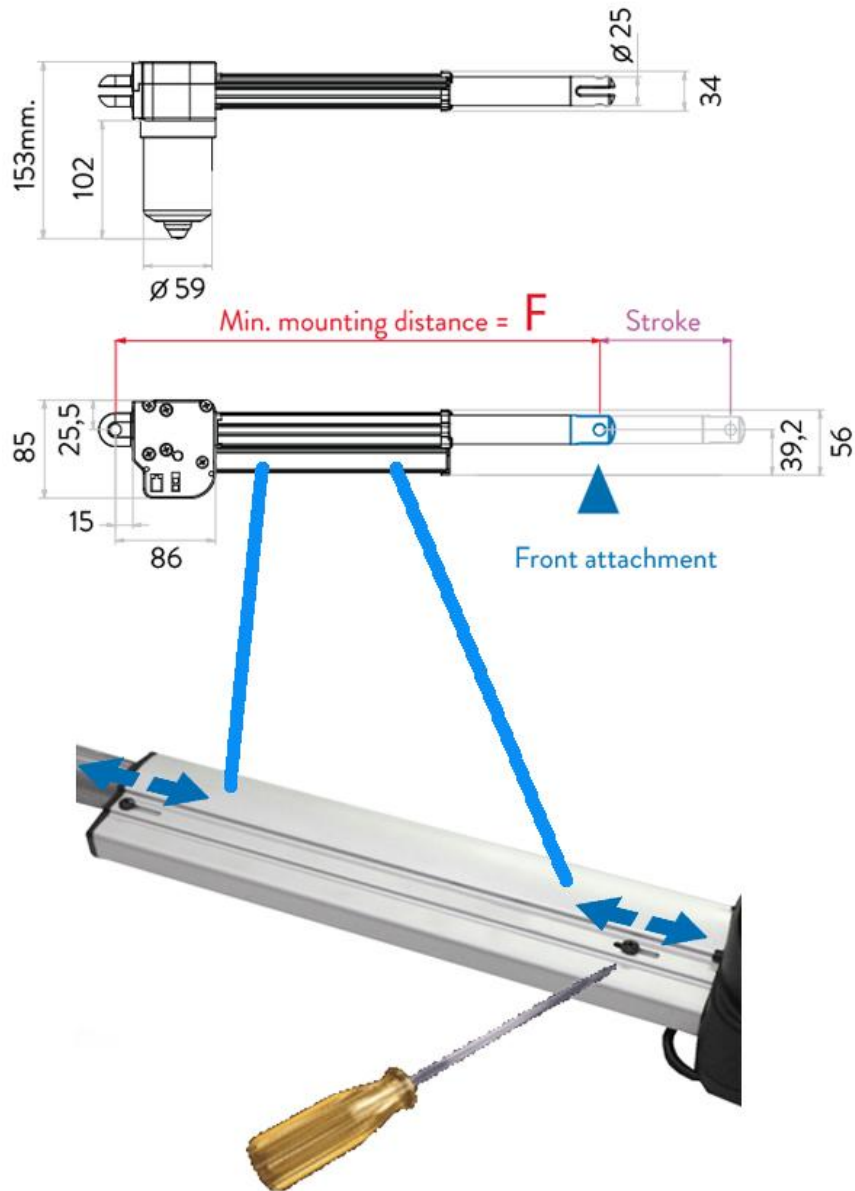


Default position for micro-switch is in the middle



Long use and wear can affect microswitch position. Carefully check if the highlighted screw (in the red circle) is loosen and / or shifted back / forth. Use a screwdriver to restore the default position

LEG RAISE MOTOR CONTROL TROUBLESHOOTING



2.3 THE LEG RAISE MOTOR IS NOISY

If the leg-rest lifting is noisy, try to lubricate the motor shaft with specific products.

