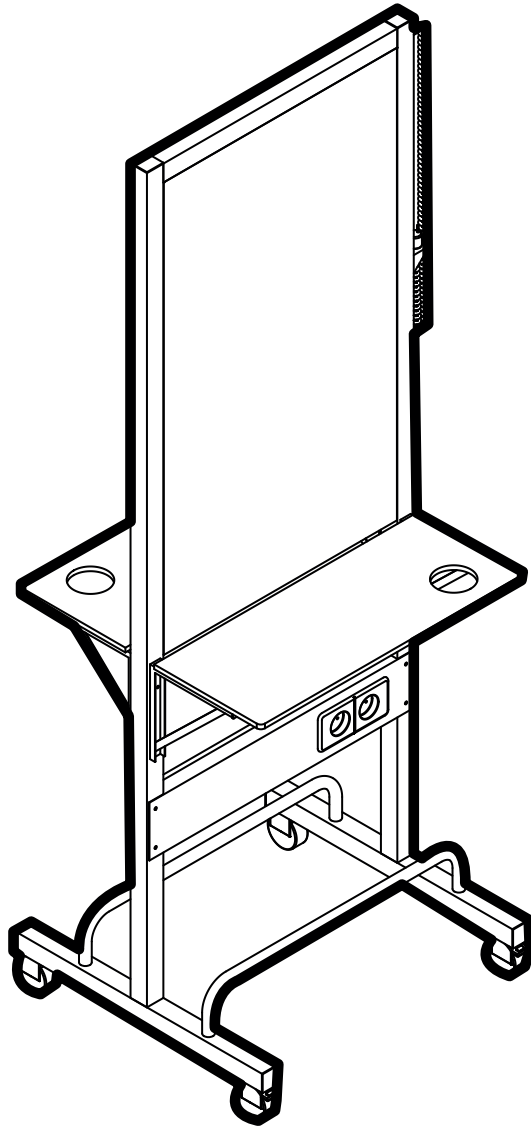


PAHI.

Barcelona



STENCIL

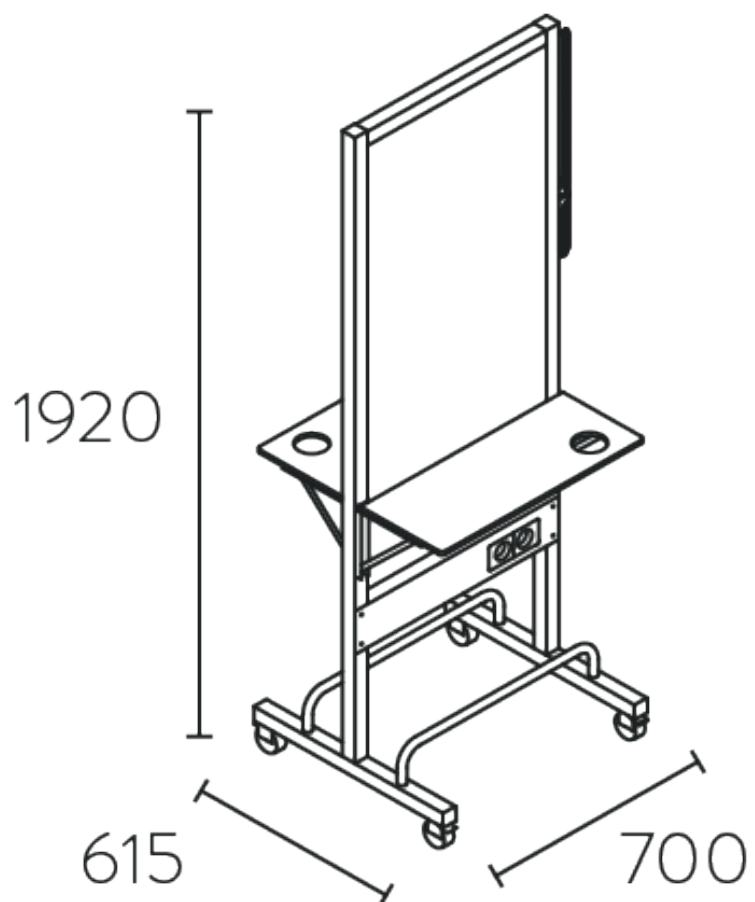
Ref. M027E

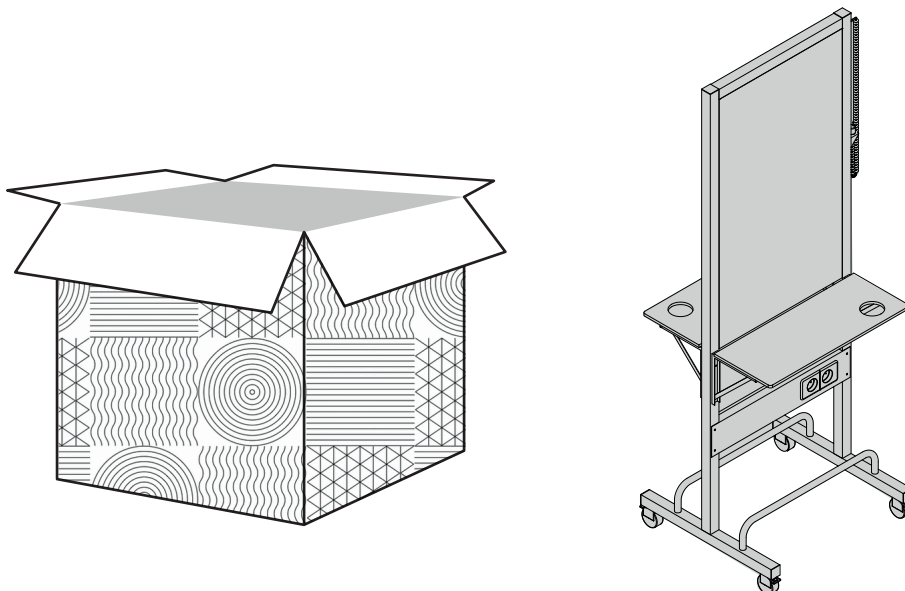
Styling Units

Updated: 01 Feb. 2018

Page 1/4

(mm)





Plug info:

16A 2Schuko Power
Extensible cord 1m/2,5m



Socket info:

Socket 16A 250V
+ child protection

Address

Pol. Ind. Mas Galí
Barcelona, 32-34
08503 Gurb
Barcelona

Contact

T +34 938 890 417
F +34 938 890 585
pahi@pahi.com
PAHI.COM