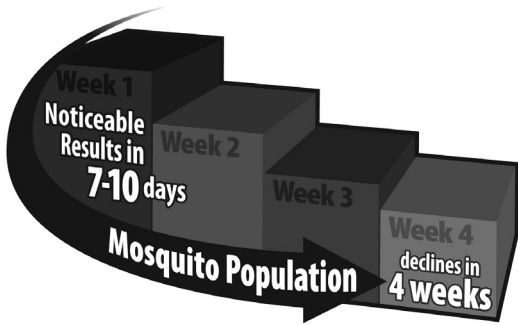




# MOSQUITO MAGNET®

Advanced Mosquito Defense Systems

*Attracts and Kills Mosquitoes*



*Smart Technology*



*Cordless*



**EXECUTIVE**

*For Outdoor Use Only*  
1440-652

**Operation Manual**





**CAUTION** - The appliance is not to be used by persons (including children) with reduced physical, sensory or mental capabilities, or lack of experience and knowledge, unless they have been given supervision or instruction - children being supervised not to play with the appliance.



The symbol on the product or its packaging indicates that this product must not be disposed of with your other household waste. Instead, it is your responsibility to dispose of your waste equipment by handing it over to a designated collection point for the recycling of waste electrical and electronic equipment. The separate collection and recycling of your waste equipment at the time of disposal will help conserve natural resources and ensure that it is recycled in a manner that protects human health and the environment. For more information about where you can drop off your waste for recycling, please contact your local authority, or where you purchased your product.



**MERK** - Apparatet skal ikke brukes av personer (inkludert barn) med reduserte fysiske, sensoriske eller mentale evner, eller mangel på erfaring og kunnskap, med mindre de er under tilsyn eller blir instruert. Barn under tilsyn skal ikke leke med apparatet.



Symbolet på produktet eller emballasjen indikerer at produktet ikke må kastes sammen med annet husholdningsavfall. Det er ditt ansvar å avhende utstyret ved å levere det til et egnet innsamlingssted for resirkulering av elektrisk og elektronisk utstyr. Separat innsamling og gjenvinning av kassert utstyr på tidspunktet for avhending vil bidra til å bevare naturressursene og sikre at det resirkuleres på en måte som ivaretar helse og miljø. For mer informasjon om hvor du kan levere avfall til gjenvinning, kan du kontakte lokale myndigheter eller der du kjøpte produktet.



**HUOMIO** – Henkilöiden (mukaan lukien lapset), joiden fyysinen, henkinen tai aistikapasiteetti on heikentynyt tai joilla ei ole tarvittavaa kokemusta tai tarvittavia tietoja, ei tule käyttää tätä laitetta, ellei heitä valvota tai ellei heitä ole opastettu sen käytössä. Lapsia tulee vahtia, etteivät he leiki laitteen kanssa.



Tuotteessa tai sen pakkauksessa oleva merkintä tarkoittaa, ettei tätä tuotetta saa hävittää kotitalousjätteen mukana. Sen sijaan on sinun vastuullasi, että hävität käytetyn laitteen viemällä sen elektronisille ja sähkölaitteille tarkoitettuun keräyspisteeseen kierrätystä varten. Käytetyn laitteen hävittäminen erikseen kierrättämällä auttaa säilyttämään luonnonvaroja ja varmistamaan, että laite kierrätetään ihmisten terveyttä ja ympäristöä suojelevalla tavalla. Lisätietoja siitä, mihin voit viedä kierrätysjätteet, saat ottamalla yhteyttä paikallisiin viranomaisiin tai tuotteen myyntipaikkaan.



**VAR FÖRSIKTIG!** Anordningen får inte användas av personer (inklusive barn) med nedsatt fysisk, sensorisk eller mental förmåga eller som saknar erfarenhet eller kunskap, förutom när de övervakas eller instrueras. Man måste även säkerställa att barn inte leker med anordningen.



Symbolen på produkten eller på dess förpackning anger att produkten inte får slängas med hushållsavfall. Det åligger dig istället att kassera anordningen genom att ta den till en designerad insamlingspunkt för återvinning av kasserad elektrisk och elektronisk utrustning. Den separata insamlingen och återvinningen av din kasserade utrustning bidrar till att skydda naturresurser och säkerställa att den återvinns på ett sätt som skyddar människors hälsa och miljön. För mer information om vart du kan ta ditt avfall för återvinning ska du kontakta lokala myndigheter eller platsen där du köpte produkten.



**ВНИМАНИЕ** – Настоящим прибором нельзя пользоваться лицам (включая детей) с ограниченными физическими возможностями, характеристиками сенсорной системы и умственными способностями; лицам, не обладающим достаточным опытом или знаниями, или не получившим необходимых инструкций или подготовки; необходимо следить за тем, чтобы дети не играли с настоящим прибором.



Знак на этом приборе или на его упаковке указывает на то, что настоящий прибор нельзя выбрасывать с бытовым мусором. Вместо этого, Вы обязаны утилизировать использованный прибор, оставив его в соответствующем пункте сбора утильсырья и отходов производства электрического и электронного оборудования. Сбор и утилизация Вашего использованного оборудования поможет в сохранении природных ресурсов, в защите здоровья людей и окружающей среды. За дополнительной информацией о том, куда можно принести использованный прибор для утилизации, обращайтесь в местные органы власти или в место приобретения прибора.



**ATTENZIONE** - Questo apparecchio non deve essere utilizzato da persone (bambini inclusi) con ridotte capacità fisiche, sensoriali o mentali, o persone che non abbiano adeguata esperienza o conoscenza, a meno che non siano sotto stretta sorveglianza o siano state adeguatamente istruite circa l'uso dell'apparecchio stesso. I bambini sotto la supervisione di un adulto non devono giocare con questo apparecchio.



Il simbolo sul prodotto o sull'imballaggio indica che questo apparecchio non può e non deve essere smaltito con altri rifiuti domestici. Pertanto, è vostra responsabilità consegnare questo prodotto da smaltire ad un ente specializzato nel riciclaggio di materiale elettrico ed elettronico. La raccolta differenziata e il riciclaggio di tali rifiuti nel momento dello smaltimento aiuteranno a preservare le risorse naturali e garantiranno un riciclaggio adatto a proteggere il benessere dell'uomo e dell'ambiente. Per ulteriori informazioni su dove poter smaltire i rifiuti riciclabili, si prega di contattare l'autorità locale pertinente, o il punto vendita dove si è acquistato il prodotto.



**MISE EN GARDE** – Cet appareil ne doit pas être utilisé par des personnes (y compris des enfants) dont les capacités physiques, sensorielles ou mentales sont réduites ou qui ne possèdent pas l'expérience et les connaissances requises, sauf s'ils sont supervisés ou reçoivent les instructions; les enfants, même supervisés, ne doivent pas jouer avec l'appareil.



Le symbole apposé sur le produit ou son emballage indique qu'il ne doit pas être mis au rebut avec les déchets ménagers. Il vous incombe de mettre au rebut votre équipement usagé en l'apportant à un point de collecte désigné pour le recyclage de l'équipement électrique et électronique. La collecte et le recyclage séparés de votre équipement usagé au moment de la mise au rebut permettra de préserver les ressources naturelles et de s'assurer qu'il est recyclé d'une manière qui protège la santé humaine et l'environnement. Pour de plus amples renseignements sur l'endroit où vous pouvez déposer les déchets à recycler, veuillez vous adresser aux autorités locales ou au magasin où vous avez acheté le produit.



**PRECAUCIÓN:** el aparato no debe ser utilizado por personas (incluidos niños) que tengan su capacidad física, sensorial o mental disminuida, o falta de experiencia y conocimientos, a menos que cuenten con supervisión o instrucciones (los niños deben ser supervisados para que no jueguen con el electrodoméstico).



El símbolo que aparece en el producto o el embalaje indica que este producto no debe desecharse como si fuese cualquier otro producto desechable de su hogar. En su lugar, usted es responsable de desechar el aparato depositándolo en uno de los puntos de recogida designados para reciclaje de productos eléctricos o electrónicos. Al separar y reciclar su equipo desechable de este manera, ayudará a conservar los recursos naturales y a asegurarse de que el reciclaje se realice de tal modo que proteja la salud humana y el medioambiente. Para más información sobre dónde depositar el producto desechable para su reciclaje, póngase en contacto con las autoridades de su localidad, o con el establecimiento donde adquirió el producto.



**CUIDADO** - O aparelho não deverá ser usado por pessoas (incluindo crianças) com reduzidas capacidades físicas, sensoriais nem mentais, nem com falta de experiência ou de conhecimentos, a não ser que lhes tenham sido dada instrução ou supervisão - deverá haver vigilância para que as crianças não brinquem com o aparelho.



O símbolo no produto ou na sua embalagem indica que este produto não deverá ser descartado com outros lixos caseiros. Em vez disso, será da sua responsabilidade eliminar o seu equipamento descartado entregando-o num local de recolha de equipamentos eléctricos e electrónicos descartados para serem reciclados. A recolha separada e a reciclagem dos seus equipamentos descartados na ocasião da sua eliminação ajudarão a conservar os recursos naturais e a assegurar que eles sejam reciclados de uma maneira que proteja a saúde humana e o ambiente. Para obter mais informações sobre onde poderá entregar os seus lixos para reciclagem, por favor contacte as suas autoridades locais ou o local onde comprou o seu produto.



**ADVARSEL** - Apparatet må ikke anvendes af personer (herunder børn) med nedsatte fysiske, sensoriske eller mentale evner eller manglende erfaring og viden, medmindre de er blevet vejledt eller instrueret – børn, også dem, der er under opsyn, må ikke lege med apparatet.



Symbolet på produktet eller emballagen angiver, at dette produkt ikke må bortskaffes sammen med andet husholdningsaffald. I stedet er det dit ansvar at bortskaffe det brugte udstyr ved at aflevere det på et angivet indsamlingssted for genbrug af kasseret elektrisk og elektronisk udstyr. Denne særskilte indsamling og genbrug af dit kasserede udstyr på tidspunktet for bortskaffelsen hjælper med at bevare naturens ressourcer og sikrer, at udstyret genbruges på en måde, der beskytter menneskers helbred og miljøet. For mere information om, hvor du kan aflevere dit affald til genbrug, bedes du kontakte din kommune eller det sted, hvor du købte produktet.



**MOSQUITO MAGNET<sup>®</sup>**

# Cold Temperature Shutdown

The trap has a temperature sensor that can be used to automatically put the trap in a standby mode when the outdoor air temperature and the trap temperature are both below a **user selectable** set point. Research has shown that there is very little mosquito activity when the air temperature drops below 50°F (10°C). However, in some locations and with some mosquito species, activity can continue at temperatures below 50°F (10°C). The trap has a **user selectable** cold temperature shutdown point starting at 50°F (10°C) and incrementing down in increments of 5°F (2.8°C) to a minimum temperature of 30°F (-1°C). **The default setting on the trap is no cold temperature shutdown.**

To access the Cold Temperature Shutdown parameters, press and hold the Mode button for at least 3 seconds until the Cold Temperature Shutdown menu appears. Toggle through the temperature choices by pressing the Mode button, beginning with Off (blank) and then to 30, 35, 40, 45, and 50 (°F). Continuing to toggle the Mode button after 50 will return to Off (blank) and then repeat the cycle. Once a temperature choice has been made, stop pressing the Mode button; wait approximately 3 seconds; and your temperature choice will be automatically saved.

If the trap is running (the word RUN is visible and the Green LED light is on), and a cold temperature shutdown value has been selected, the trap will shut down when the air temperature and the trap temperature has dropped below that set point. When the trap is in the Cold Temperature Shutdown Mode the word COOL and the Thermometer icon will flash. The trap will restart when the temperature sensor indicates that the air temperature and the trap temperature is **approximately 5°F (2.8°C) above the selected cold temperature shutdown value.**

If the trap is in warm up mode when the temperature drops below the selected set point it will shut down, **but it will not restart automatically.**

Visit us online at [mosquitomagnet.com](http://mosquitomagnet.com) for additional information regarding Mosquito Magnet tips and testimonials.

Woodstream Corporation  
69 North Locust Street  
Lititz, PA 17543  
United States  
[www.mosquitomagnet.com](http://www.mosquitomagnet.com)

432-451



# MOSQUITO MAGNET®

# Welcome

Congratulations on your purchase of Mosquito Magnet®. Now you can begin to enjoy your outdoor living space again.

Mosquito Magnet® is the #1 mosquito trap in North America. Backed by 18 years of research and independent testing, Mosquito Magnet® is scientifically proven to effectively reduce mosquitoes & other biting insects from your yard.

Mosquito Magnet® is easy to use. The link [www.mosquitomagnet.com/videos](http://www.mosquitomagnet.com/videos), provides key information for getting started. In this manual, you'll learn everything you need to know about how it works, optimal trap placement, maintenance, storage and warranty information. The keys to success are trap placement, utilization of the correct attractant for your area and routine maintenance. For optimal catch rate, you'll need to change the propane tank and attractant every 21 days.

Visit us online at [www.mosquitomagnet.com](http://www.mosquitomagnet.com) for additional information regarding Mosquito Magnet® tips, testimonials, and additional product offerings.

## Woodstream® Corporation

69 North Locust Street  
Lititz, PA 17543  
1-800-953-5737  
[www.mosquitomagnet.com](http://www.mosquitomagnet.com)

*The Mosquito Magnet® traps are covered by one or more of the following patents:*

Denmark No. 1432304 and 1,827,093  
Finland No. 1432304 and 1,827,093  
France Nos. 1,537,780; 1,011,324; 1,049,373; 1,432,304 and 1,827,093  
Germany Nos. 1011324; 1049373; 60211538.8 and 1,827,093  
Hong Kong No. 081016574  
Korean No. 10-0978590  
Greece Nos. 1011324 and 1432304  
India No. 228997  
Ireland Nos. 1011324; 1432304 and 1,827,093  
Italy Nos. 1,537,780; 1,011,324; 1,049,373; 1,432,304 and 1,827,093  
Japan No. 4317748  
Portugal Nos. 1011324; 1432304 and 1,827,093  
Spain Nos. 1,537,780; 1,011,324; 1,432,304 and 1,827,093  
Sweden Nos. 1,537,780; 1,432,304 and 1,827,093  
UK Nos. 1,537,780; 1,011,324; 1,049,373; 1,432,304 and 1,827,093  
Australia Nos. 726575; 735984; 2002356537; 2005307112; 2008246208 and 200528912  
New Zealand Nos. 335035 and 506403  
Singapore No. 64595  
S. Africa No. 97/8366  
China Nos. ZL0281957.X and ZL03812961.2  
Brazil Nos. 9711492-8; 9908104-0 and PI0508967-0  
Mexico No. 250272  
Other patents pending

Made in China

## FOR YOUR SAFETY

*If you smell gas:*

1. Shut off the gas to the appliance.
2. Extinguish any open flame.
3. Open lid.
4. If odor continues, immediately call your gas supplier or your fire department.

## FOR YOUR SAFETY

1. Do not store or use gasoline or other flammable vapors and liquids in the vicinity of this or any other appliance.
2. An LP cylinder not connected for use shall not be stored in the vicinity of this or any other appliance.



# MOSQUITO MAGNET®

# Contents

<b>Cold Temperature Shutdown</b>	<b>2</b>
<b>Welcome/Contents</b>	<b>3-4</b>
<b>Safety Instructions</b>	<b>5-6</b>
<b>Principle Parts</b>	<b>7</b>
<b>Assembly Instructions</b>	<b>8</b>
<b>Set-Up</b>	<b>9-11</b>
Charging Instructions	
Trap Placement	
Propane Tank Installation	
R-Octenol Attractant Installation	
<b>Instructions</b>	<b>12</b>
Starting Instructions	
Shut Down Instructions	
When Not In Use	
End of Season Storage	
For Best Results	
<b>Smart Technology</b>	<b>13</b>
<b>Maintenance</b>	<b>14</b>
Maintenance	
Propane Tank Changing Tips	
Maintenance Schedule	
<b>Troubleshooting</b>	<b>15</b>

Woodstream® Corporation  
 69 North Locust Street  
 Lititz, PA 17543  
[www.mosquitomagnet.com](http://www.mosquitomagnet.com)

<b>Model No.:</b>	Executive
<b>Serial No.:</b>	
<b>Type of Gas:</b>	Propane
<b>Manifold Pressure:</b>	100 – 110 psi
<b>Minimum Gas Supply Pressure:</b>	11.0 in. WC
<b>Input Rating:</b>	759 Btu/Hr.
<b>Minimum Clearances:</b>	20 – 24”



## How the Mosquito Magnet® Works

Mosquitoes and other biting insects use the long-range attractant carbon dioxide (CO<sub>2</sub>) to locate people. Once in close proximity, mosquitoes use short-range attractants such as scents emitted from the skin, to determine which person they are going to bite. The Mosquito Magnet® mimics a human by converting propane to CO<sub>2</sub>, with its patented catalytic conversion technology, in combination with a short-range attractant.

Attracted by the CO<sub>2</sub> and short-range attractant, mosquitoes and other biting insects are drawn to the Mosquito Magnet®. When they reach the trap, the insects are vacuumed into a bug bag by our patented Counterflow Technology™, where they dehydrate and die within 24 hours.

The Mosquito Magnet® is silent, odorless and runs 24/7. When properly placed in your yard, the **trap begins working immediately. Noticeable results can be achieved in 7 to 10 days.** To greatly reduce your biting insect population, allow 4 weeks. Leave the Mosquito Magnet® out all summer long, to control the mosquito population in your yard.

Only biting insects are targeted including mosquitoes, no-see-ums, black flies and midges. Beneficial insects such as butterflies, bees or moths are not targeted.



# MOSQUITO MAGNET®

# Safety Instructions

***Please read and follow all safety instructions and warnings.***

Children and adults should be alerted to the hazards of high surface temperatures and should stay away to avoid burns or clothing ignition.

Young children should be carefully supervised when they are in the area of the heater. Keep out of reach of children.

Clothing or other flammable materials should not be hung from the heater, or placed on or near the trap

**Note:** Some or all of the following required safety instructions for propane powered devices may apply to your trap. Allow trap to cool for 5 minutes before re-starting.

**Warning:** Improper installation, adjustment, alteration, service or maintenance can cause injury or property damage. Read the installation, operating and maintenance instructions thoroughly before installing or servicing the trap.

**Caution:** The gas pressure regulator provided with this appliance must be used. This regulator is set for an outlet pressure of 11.0 in. Water Column. The minimum inlet gas supply pressure is 11.0 in. Water Column from regulator.

- This unit is not intended to be installed in or on recreational vehicles and/or boats.
- The gas supply must be turned off at the LP-Gas supply cylinder when this appliance is not in use.
- The installation must conform with local codes or, in the absence of local codes, with the National Fuel Gas Code, ANSI Z223. 1-1998 for US and with the CAN1-B149 for Canada.
- To test for a gas leak, place soapy water around the connector, regulator, and gas hose assembly. If bubbles appear, there is a gas leak.
- Inspect the hose before each use of the unit. If it is evident there is excessive abrasion or wear, or the hose is cut, it must be replaced prior to the unit being put into operation. The replacement hose shall be that specified by the manufacturer.
- The trap is equipped with an internal spark ignition device. Failure to follow starting procedure will result in the trap not starting.
- Installation and repair should be done by a qualified service person (find service centers on [www.mosquitomagnet.com](http://www.mosquitomagnet.com)). The trap should be inspected before use and at least annually by a qualified service person. More frequent cleaning may be required as necessary. It is imperative that the control compartment, burners, and circulating air passageways of the heater be kept clean.



**MOSQUITO MAGNET®**



# Safety Instructions

- Maintain adequate clearances of 20"–24" around air openings into the combustion chamber, clearances from combustible material, provisions for accessibility and for combustion and ventilating air supply. Keep the trap area clear and free from combustible materials, gasoline, and other flammable vapors and liquids. The appliance is not to be used in locations where flammable vapor or explosive dust is likely to exist.
- Do not obstruct the flow of combustion and ventilation air.
- Keep the ventilating openings of the cylinder enclosure free and clear from debris.
- Clean the trap with water and a damp cloth if necessary.
- A maximum of a 20 lb. LP-Gas cylinder shall be used.
- The LP-Gas cylinder must be provided with a shut-off valve terminating in an LP-Gas supply cylinder valve outlet specified for Connection No. 510 in the Standard for Compressed Gas Cylinder Valve Outlet and Inlet Connections, ANSI/CGA-V-1-1977.
- The LP-Gas cylinder supply system must be arranged for vapor withdrawal and the cylinder must include a collar to protect the cylinder valve.
- The LP-Gas cylinder used shall be constructed and marked in accordance with the specifications for LP-Gas cylinders of the U.S. Department of Transportation (DOT) or The National Standard of Canada CAN/CSA-B339.
- The trap shall be used outdoors only in a well ventilated space and shall not be used in a building, garage, or any other enclosed area.
- The LP-Gas cylinder must be disconnected and removed from the appliance, if the appliance is stored indoors.
- LP-Gas cylinders must be stored outdoors in a well-ventilated area out of reach of children.
- Disconnected cylinders must have threaded valve plugs tightly installed and must not be stored in a building, garage, or any other enclosed area.
- The pressure regulator and hose assembly supplied with this appliance must be used for connection to the LP-Gas cylinder. Replacement pressure regulators and hose assemblies must be specified by the manufacturer.
- Avoid improper use of extension cords. Keep connections away from moisture and avoid damage to the cord.
- If the supply cord is damaged, it must be replaced by the manufacturer or its service agent or a similarly qualified person in order to avoid hazard.

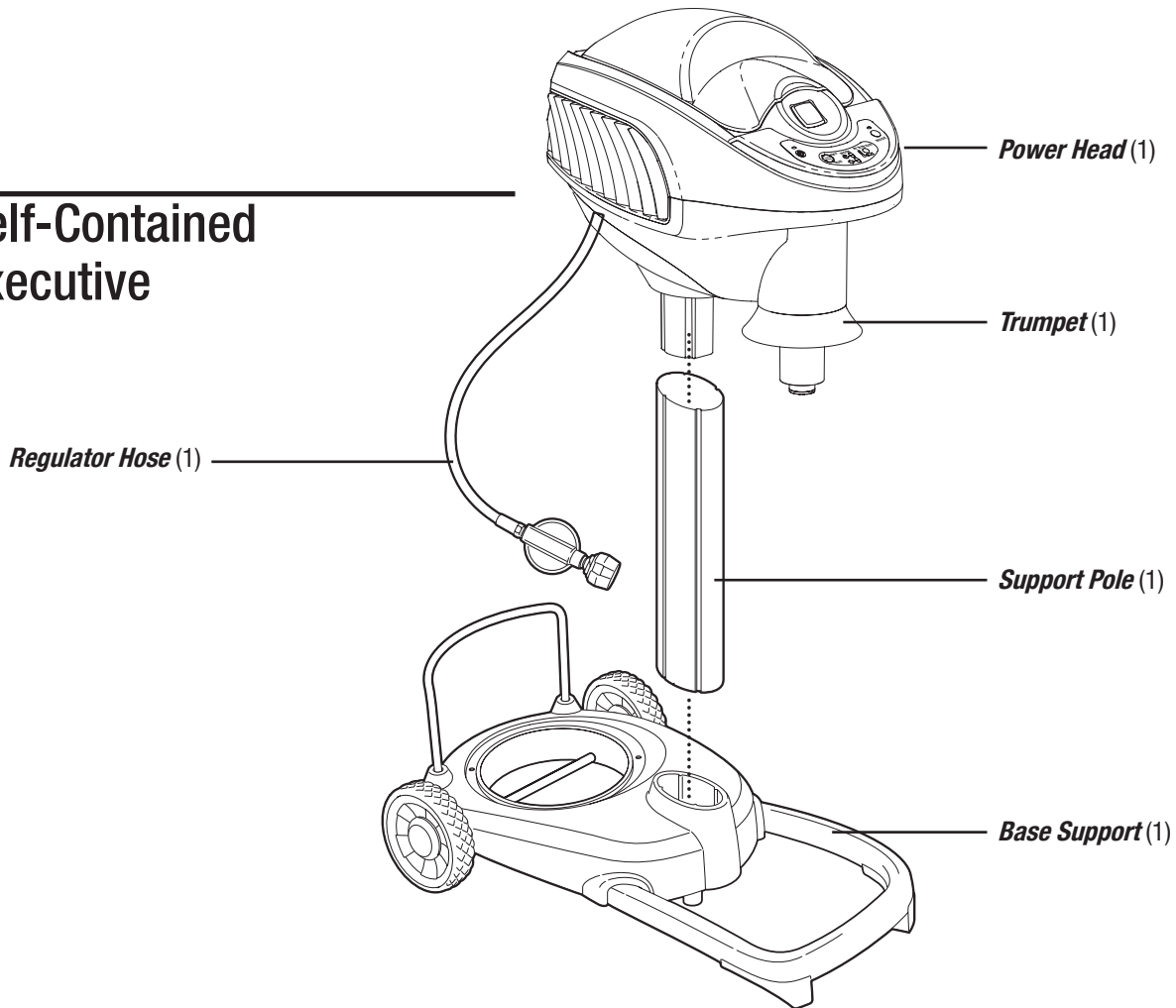
*visit [www.mosquitomagnet.com](http://www.mosquitomagnet.com)*



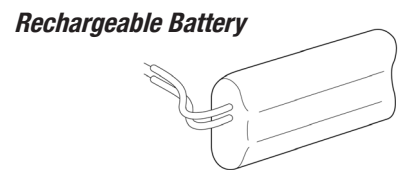
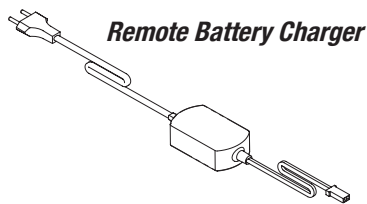
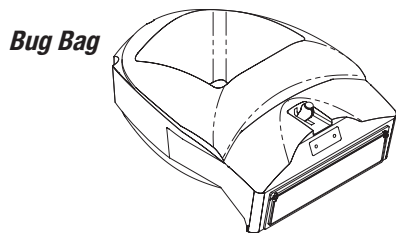
**MOSQUITO MAGNET®**

# Principle Parts

## Self-Contained Executive



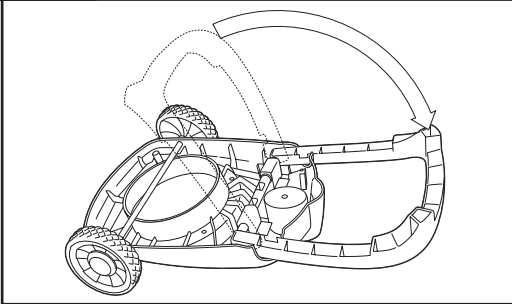
## Parts Included



# Assembly Instructions

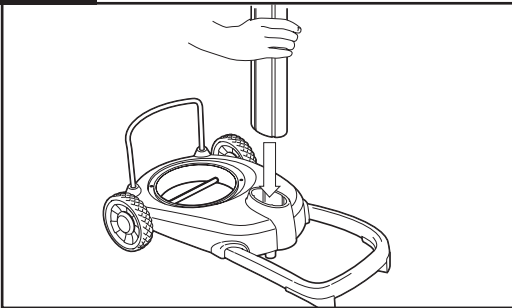
## *Trap Assembly:*

### Step 1



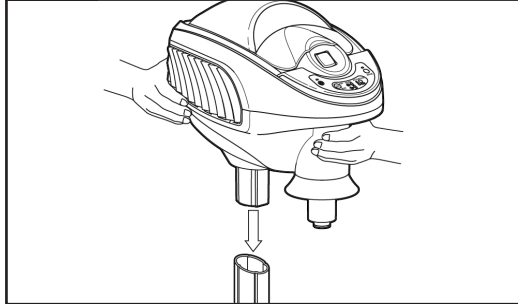
Place base upside down on a flat surface, unfold U-shaped support leg until it locks in place.

### Step 2



Turn base and leg assembly right-side-up and place support pole into cavity on base.

### Step 3



Place trap power head onto pole. Press down firmly with two hands to secure.

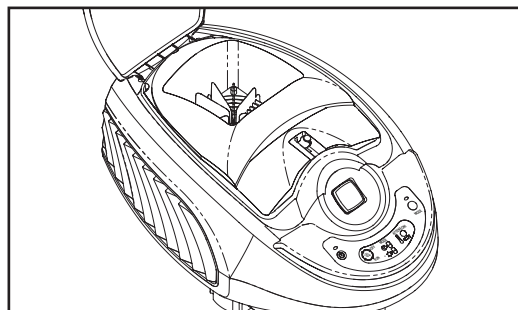
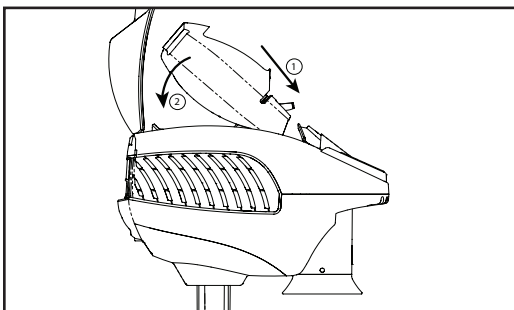
Assembled trap should have the front of power head/trumpet placed farthest from the wheels in the same direction as base U-shaped legs.

### Step 4

The battery is not fully charged at the factory; charge the battery before the first use. Under proper usage, one charge lasts all season. See page 6 for further details.

## *Bug Bag Installation:*

To insert Bug Bag, first engage front/open section then gently push the back end down into place.



# MOSQUITO MAGNET®

# Set-Up

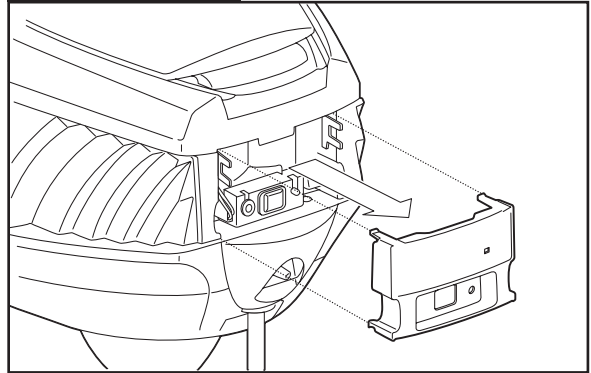
## Charging Instructions

1. Remove cover panel from rear of Power Head Unit (panel snaps off). Press the battery latch & pull out of the trap to disconnect. Remove the battery by pulling up on the bottom and rotating the battery out of position.
2. The Battery Charger is not rated for Outdoor use. The battery must be charged indoors.
3. Plug the Battery Charger into a suitable indoor outlet.
4. Connect the re-chargeable battery to the battery charger.
5. The LED on the Battery Charger will indicate Red when the battery is charging, when the battery is fully charged the LED will indicate Green. The typical charge time is less than two hours.
6. The battery charger is automatic, it will shut down to a safe maintenance charge current when the battery is fully charged. It will not over charge the battery. For maximum life, do not leave the battery on the charger for extended periods.
7. When the battery is fully charged, disconnect the battery from the battery charger and return it in the Mosquito Magnet Executive.
8. Insert and connect the re-chargeable battery.
9. Replace the cover panel on the rear of Power Head Unit.

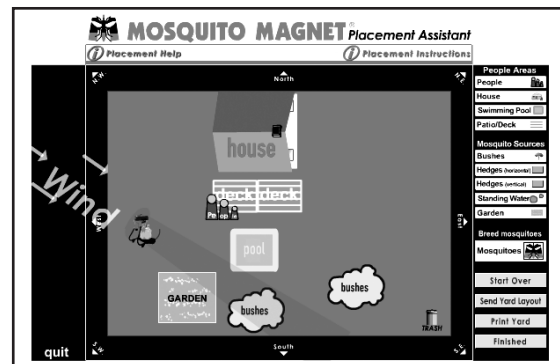
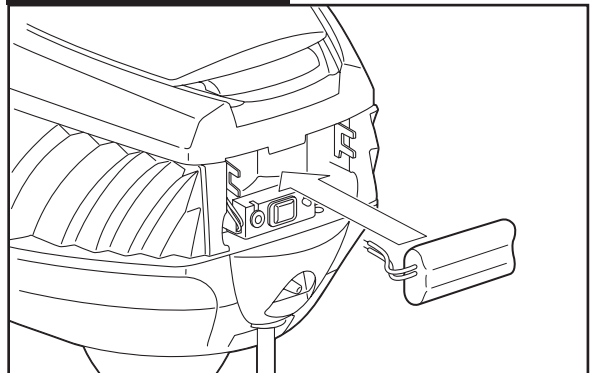
## Trap Placement

1. Determine the direction of the prevailing wind. Check local weather patterns if you are unsure.
2. Stand in the center of the area you are trying to protect and look toward the prevailing wind.
3. Proper placement of the trap will be 30 – 40 feet in front of you, within 5-6 feet of ground cover (i.e. bushes, flowerbeds, tree line, marsh bed). Ensure that trap is not directly against any blockades such as buildings, fences, etc.
4. It is recommended that the trap be placed in the shade.
5. Do not place trap directly above a water source (sprinklers, hose, etc.).
6. Trap must be placed on level ground to avoid tipping or uneven propane distribution.
7. For optimal trap placement in your yard, refer to the instructional video at [www.mosquitomagnet.com/videos](http://www.mosquitomagnet.com/videos) to build your own yard diagram for correct trap placement.

### Remove Back Panel



### Insert & Connect Battery



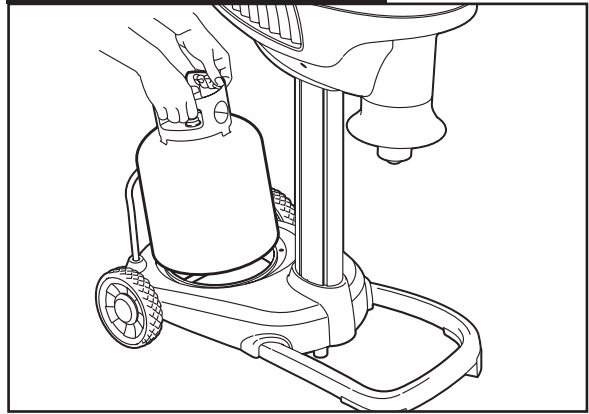
# Set-Up

## ***Propane Tank Installation***

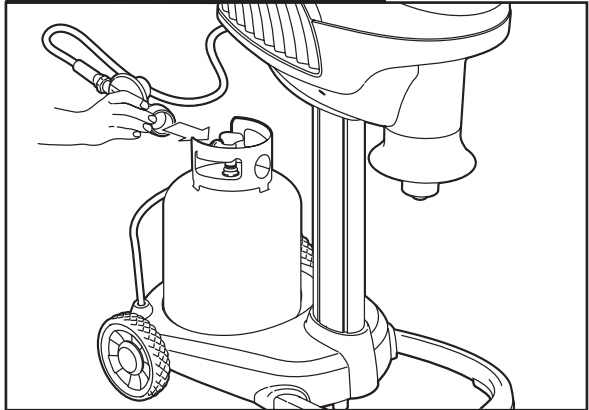
1. After trap is placed in its ideal location, place propane tank onto the molded cradle.
2. Make sure propane tank is fully closed. Attach propane regulator hose to propane tank. Secure tightly by hand. ***Do not use tools.***
3. Turn propane on by slowly turning valve counter-clockwise. Take care not to turn too quickly to avoid engagement of safety valve.

**⚠ DO NOT MOVE TRAP WITH TANK ATTACHED!**  
TANK MUST BE DISCONNECTED FROM REGULATOR BEFORE TRAP IS RELOCATED TO AVOID DAMAGE TO REGULATOR AND/OR TRAP. BE ADVISED, DAMAGE CAUSED FROM FAILURE TO COMPLY WITH THIS INSTRUCTION IS NOT COVERED UNDER WARRANTY.

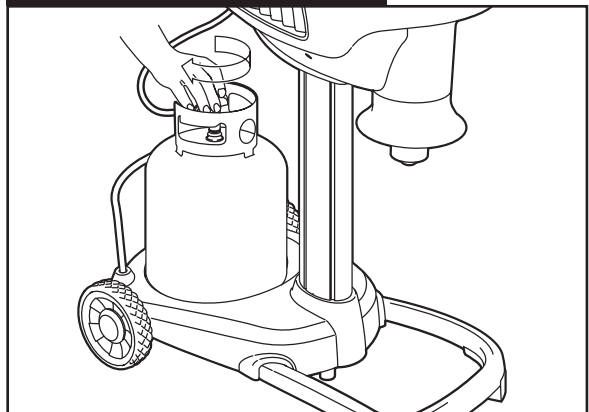
### **Step 1 - Propane Tank Placement**



### **Step 2 - Attach Regulator**



### **Step 3 - Slowly Open Valve**



# **MOSQUITO MAGNET®**

# Set-Up

## ***R-Octenol Attractant Installation***

1. Locate Mosquito Magnet® R-Octenol Biting Insect Attractant. Remove mosquito attractant packet from bag. Carefully peel back foil cover
2. Locate the R-Octenol carrier compartment inside the plume tube. Turn cap counter-clockwise about 1/8 turn. Remove end cap.
3. Place the open packet of mosquito attractant into the carrier compartment.
4. Replace end cap on carrier compartment. Be sure to align cap's "feet" with grooves inside carrier compartment. Secure cap by turning clockwise until it clicks (about 1/8 turn).

## **Precautionary Statements**

### **Hazards to Humans and Domestic Animals.**

**Caution:** Harmful if swallowed. Avoid contact of skin, eyes or mouth with the evaporation holes. Wash hands before eating, drinking, chewing gum, using tobacco or using bathroom facilities.

### **First Aid**

#### **If swallowed**

- Call poison control center or doctor immediately for treatment advice.
- Have person sip a glass of water if able to swallow.
- Do not induce vomiting unless told to do so by the poison control center or doctor.
- Do not give anything by mouth to an unconscious person.

#### **If on skin or clothing**

- Take off contaminated clothing.
- Rinse skin immediately with plenty of water for 15-20 minutes.
- Call a poison control center or doctor for treatment advice.

#### **If in eyes**

- Hold eye open and rinse slowly and gently with water for 15-20 minutes.
- Remove contact lenses, if present, after the first 5 minutes, then continue rinsing eye.
- Call a poison control center or doctor for treatment advice.

#### **If inhaled**

- Move person to fresh air.
- If person is not breathing, call 911 or an ambulance, then give artificial respiration, preferably by mouth-to-mouth, if possible.
- Call a poison control center or doctor for treatment advice.

**Have the product container or label with you when calling a poison control center or doctor, or going for treatment.**

**Environmental Hazards:** Do not apply directly to water. Do not contaminate water when disposing of equipment washwaters or rinsate.

## **Directions for Use**

**It is a violation of federal law to use this product in a manner inconsistent with its labeling.**

**Replace cartridge every 21 days\*** (Note: After 21 days of use, cartridge appears the same; however, it will no longer be effective as the R-Octenol will have been released.)

\*Based on release rate studies conducted at a constant ambient air temperature of 80° F for 21 days. R-Octenol release from this product will be more rapid at higher ambient air temperature.

## **Storage & Disposal**

Do not contaminate water, food or feed by storage or disposal.

**Storage:** Store unopened attractant cartridge in a cool, dry place. Discard outer plastic bag in trash.

**Disposal:** Do not reuse attractant cartridge. Dispose of used attractant cartridge in the trash.

### **Step 1**



### **Step 2**



### **Step 3**



### **Step 4**



# MOSQUITO MAGNET®

# Instructions

**\*\*READ MANUAL BEFORE STARTING\*\***

***Charge your battery per instructions. Under proper usage, battery will last all season.***

## ***Starting Instructions***

It is recommended that you read the entire manual before starting the Mosquito Magnet® trap.

1. To start the trap, press and hold the ON/OFF button for three seconds until the orange LED illuminates.
2. RUN will show on the display. WARM and the indicator arrows will also flash on the display. The LED (indicator above ON/OFF button) will be orange.
3. The fan will ramp from low speed to high speed after approximately 3 minutes.
4. The display will flash WARM and the LED will be orange for approximately 15-25 minutes while the trap is warming up.
5. After the trap reaches operating temperature, the LED will be green and WARM will disappear from the display.

## ***Shut Down Instructions***

To turn off the trap, press the ON/OFF button. RUN will show on the display. COOL and the indicator arrows will flash on the display. The LED will be green. After a two minute cool down, the fan will stop, the LED will turn off and OFF will show on the display.

## ***When Not In Use***

If the unit is not in use, the gas must be turned off at the supply cylinder. Storage of this unit indoors is permissible only if the cylinder is disconnected and removed. Cylinders must be stored outdoors, out of reach of children and must not be stored in a building, garage or any other enclosed area.

## ***End of Season Storage***

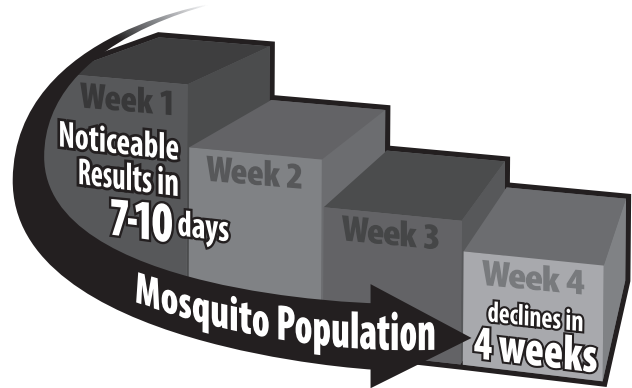
Push ON/OFF switch to OFF position to shut down the trap. The LED light will go out and the fan will continue running until trap is cool. Close the propane tank valve and disconnect regulator.

Any open Mosquito Magnet® attractant should be removed and discarded. See attractant label for disposal instructions. The bug bag should also be discarded prior to storing the trap.

***STORAGE:*** The trap should be stored indoors in a garage or shed in the off-season. Cover trumpet to prohibit insects from nesting. Cover unit with a tarp and secure tightly at the bottom to keep out dust, spider webs and other debris.

## ***For Best Results (unit must run for 24 hours/day)***

- Your trap will begin capturing immediately with significant reduction in the mosquito population in 7-10 days. Allow 4 weeks to significantly reduce the mosquito population in your yard.



- Allow trap to cool for 5 minutes before re-start.
- Never spray insecticide in or around trap.
- Trap can be left running in the rain.
- If using lime or fertilizer compounds, be sure to shut down the trap first to prevent dust or fine mist from being drawn into trap and clogging bug bag.

***Warning:*** Improper installation, adjustment, alteration, service or maintenance can cause injury or property damage. Read the installation, operating and maintenance instructions thoroughly before installing or servicing this equipment.

***Caution:*** The gas pressure regulator provided with this appliance must be used. This regulator is set for an outlet pressure 11.0 in. water column.

The gas supply must be turned off at the LP-Gas supply cylinder when this appliance is not in use.



# MOSQUITO MAGNET®

# Smart Technology

## Setting Fuel-Saving Modes

The trap has the option to run 24/7 or in one of 4 Fuel-saving Modes which can extend the life of your propane tank. The propane tank will last 21 days by operating your trap 24/7, which is recommended for the corresponding propane usage expended based on the mode of operation.

Operation Fuel-Saving	Tank Life*	Shut Down Day Time	Shut Down Night Time
Mode 1	22 days	1 Hr	1 Hr
Mode 2	24 days	2 Hr	2 Hr
Mode 3	27 days	3 Hr	3 Hr
Mode 4	30 days	4 Hr	4 Hr

\*Based on a 20lb. (9.07kg.) propane tank


The Fuel-Saving Mode of operation will stop the propane use in the middle of the day & during the middle of the night. Research has shown mosquito activity is typically lowest during these time frames.

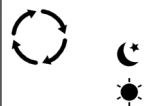
**NOTE:** The “Smart Technology” system automatically learns the cycles of day and night within a 24 hour period while in the Fuel-Saving Mode. This system uses a photo sensor to allow the trap to learn and adjust shut downs based on the shift in sunrise and sunset as seasons change.

## Fuel-Saving Modes

1. Press the MODE button to select the Gas Saver Mode Setting.



2.  Every time the MODE button is pressed the Mode will cycle through 1, 2, 3, 4, Off, 1, etc.
3. Mode 1 will shut down the trap 1 hour during the middle of the day and 1 hour during the middle of the night Modes 2, 3, and 4 correspond to 2, 3, and 4 hours of shut down time respectively.

4.  To indicate the trap is in Fuel-Saver Mode, the arrows will flash and the green LED light will be off. Additionally, the Sun element will flash during the day and the Moon element will flash during the night when the trap is in Fuel-Saving Mode. The fan will continue to operate in the trap, at a reduced speed, to prevent any escape of mosquitoes but will not capture any additional mosquitoes during this time frame.

5. If the trap is set in the fuel-saving mode, the battery must be disconnected and then reconnected every time the propane tank is refilled. The battery disconnect is required to reset the Fuel Saving timer.



## Cold Temperature Shutdown

The trap has a temperature sensor that can be used to automatically put the trap in a standby mode when the outdoor air temperature and the trap temperature are both below a user selectable set point. Research has shown that there is very little mosquito activity when the air temperature drops below 50°F (10°C). However, in some locations and with some mosquito species, activity can continue at temperature shutdown point starting at 50°F (10°C). The trap has a user selectable cold temperature shutdown point starting at 50°F (10°C) and incrementing down in increments of 5°F (2.8°C) to a minimum temperature of 30°F (-1°C). The default setting on the trap is no cold temperature shutdown.

To access the Cold Temperature Shutdown parameters, press and hold the Mode button for at least 3 seconds until the Cold Temperature Shutdown menu appears. Toggle through the temperature choices by pressing the Mode button, beginning with Off (blank) and then to 30, 35, 40, 45, and 50 (°F). Continue to toggle the Mode button after 50 will return to Off (blank) and then repeat the cycle. Once a temperature choice has been made, stop pressing the Mode button; wait approximately 3 seconds; and your temperature choice will be automatically saved.

If the trap is running (the word RUN is visible and the green LED light is on), and a cold temperature shutdown value has been selected, the trap will shut down when the air temperature and the trap temperature has dropped below that set point. When the trap is in the Cold Temperature Shutdown Mode the word COOL and the Thermometer icon will flash. The trap will restart when the temperature sensor indicates that the air temperature and the trap temperature are approximately 5°F (2.8°C) above the selected cold temperature shutdown value. If the trap is in warm up mode when the temperature drops below the selected set point, it will shut down, but it will not restart automatically.



## Low Battery Warning

The battery icon and attention will flash if the battery needs to be recharged.

## Child Safety Lock

The ON/OFF button needs to be held for 3 full seconds to turn-on the trap.





# Maintenance

## ***Maintenance***

---

*If using one of our Fuel-Saving Modes, be sure to adjust the dates on the chart below.*

- **21 Day Maintenance Cycle**

- Refill propane. (Propane lasts approximately 21 days with 24-hour/7-days operation.)
- Replace short-range attractant cartridge.  
See Mosquito Magnet® attractant label for instructions.
- Empty or replace bug bag.
- Periodically wipe down the outside of the trap with clean water and a damp cloth.
- Charge your battery for 24 hours at the beginning of the season.

## ***Propane Tank Changing Time***

---





When attaching the regulator knob to a tank after a tank change, be sure to fully tighten the regulator knob onto the tank. No need to use tools, but do turn the knob as far as possible by hand. When this is done, loosen the knob 1/4 turn, then re-tighten to maximize seal.

The purpose for this is to fully engage the regulator onto the tank. If the regulator is not fully engaged, the flow of gas may be restricted to the point where the trap will show a gas empty code. If this occurs, press the off button, close the tank valve, and remove the regulator from the tank. Re-attach the regulator and try again.



**MOSQUITO MAGNET®**

# Troubleshooting

Problem	Possible Cause	Solutions
<p><b>Unit won't start</b> <b>Unit won't stay running</b></p> <p><b>LCD</b></p>  <p><b>LED - Red LED Flashing at 7 second intervals</b></p>	<ol style="list-style-type: none"> <li>1. Propane tank may be empty.</li> <li>2. If propane tank is new and has been newly filled it must be purged.</li> <li>3. There could be a loose connection.</li> <li>4. Fuel line may be blocked by propane contaminants.</li> <li>5. Regulator is not fully engaged.</li> <li>6. Bug bag may be full or clogged.</li> </ol>	<ol style="list-style-type: none"> <li>1. Weigh tank and check against "empty" weight.</li> <li>2. Bring tank to filling location. Air may be in fuel line. Ask for tank to be purged. <i>Hint: If you have another propane powered device operating on a standard, 20 lb propane tank, try hooking that tank up to the trap to verify that the issue is with your tank.</i></li> <li>3. Verify all connections. Make sure propane tank valve is fully open.</li> <li>4. Replace the bug bag.</li> </ol>
<p><b>Unit won't stay Running</b></p> <p><b>LCD</b></p>  <p><b>LED - Flashing Red/Orange at 7 second intervals</b></p>	<ol style="list-style-type: none"> <li>1. Low Battery Voltage.</li> </ol>	<ol style="list-style-type: none"> <li>1. Charge the battery before the first use and at the beginning of each season. The Charger LED will be Green when the battery is fully charged.</li> <li>2. Check battery connection, making sure it is fully inserted and locked.</li> <li>3. If a fully charge battery indicates Low Battery Voltage during the cycle, recharge or replace the battery.</li> </ol>
<p><b>Unit shut down</b></p> <p><b>LCD</b></p>  <p><b>LED - Flashing Red/Green at 7 second intervals</b></p>	<ol style="list-style-type: none"> <li>1. High Temperature.</li> </ol>	<ol style="list-style-type: none"> <li>1. Turn off trap and allow to cool for one hour, then restart. If the code continues, call Customer Care at 1-800-953-5737.</li> </ol>
<p><b>Unit shut down</b></p> <p><b>LCD</b></p>  <p><b>LED - Double Flashing Red LED at 7 second intervals</b></p>	<ol style="list-style-type: none"> <li>1. Thermistor Fault.</li> </ol>	<ol style="list-style-type: none"> <li>1. Contact your Local Service Provider or call Consumer Care at: 1-800-953-5737.</li> </ol>
<p><b>Unit shut down</b> <b>LED - Solid Red</b></p>	<ol style="list-style-type: none"> <li>1. Electrical Fault.</li> </ol>	<ol style="list-style-type: none"> <li>1. Contact your Local Service Provider or call Consumer Care at: 1-800-953-5737.</li> </ol>
<p><b>Low or no catch</b></p>	<ol style="list-style-type: none"> <li>1. Insects may not be out yet.</li> <li>2. Trap placement issue.</li> <li>3. Biting insect reproductive cycles have not yet been broken.</li> <li>4. Counterflow may be disrupted.</li> </ol>	<ol style="list-style-type: none"> <li>1. Verify temperature is consistently over 50° F (10°C).</li> <li>2. Follow steps in the "Trap Placement" section of your owner's manual.</li> <li>3. Keep trap in constant operation 24 hours/day, 7 days per week for at least 4 weeks to reduce the mosquito population.</li> <li>4. Air flow may be restricted. Contact your Local Service Provider.</li> </ol>





**MOSQUITO MAGNET®**



**MOSQUITO MAGNET®**

# Brukerhåndbok



**MOSQUITO MAGNET®**



**CAUTION** - The appliance is not to be used by persons (including children) with reduced physical, sensory or mental capabilities, or lack of experience and knowledge, unless they have been given supervision or instruction - children being supervised not to play with the appliance.



The symbol on the product or its packaging indicates that this product must not be disposed of with your other household waste. Instead, it is your responsibility to dispose of your waste equipment by handing it over to a designated collection point for the recycling of waste electrical and electronic equipment. The separate collection and recycling of your waste equipment at the time of disposal will help conserve natural resources and ensure that it is recycled in a manner that protects human health and the environment. For more information about where you can drop off your waste for recycling, please contact your local authority, or where you purchased your product.



**MERK** - Apparatet skal ikke brukes av personer (inkludert barn) med reduserte fysiske, sensoriske eller mentale evner, eller mangel på erfaring og kunnskap, med mindre de er under tilsyn eller blir instruert. Barn under tilsyn skal ikke leke med apparatet.



Symbolet på produktet eller emballasjen indikerer at produktet ikke må kastes sammen med annet husholdningsavfall. Det er ditt ansvar å avhende utstyret ved å levere det til et egnet innsamlingssted for resirkulering av elektrisk og elektronisk utstyr. Separat innsamling og gjenvinning av kassert utstyr på tidspunktet for avhending vil bidra til å bevare naturressursene og sikre at det resirkuleres på en måte som ivaretar helse og miljø. For mer informasjon om hvor du kan levere avfall til gjenvinning, kan du kontakte lokale myndigheter eller der du kjøpte produktet.



**HUOMIO** – Henkilöiden (mukaan lukien lapset), joiden fyysinen, henkinen tai aistikapasiteetti on heikentynyt tai joilla ei ole tarvittavaa kokemusta tai tarvittavia tietoja, ei tule käyttää tätä laitetta, ellei heitä valvota tai ellei heitä ole opastettu sen käytössä. Lapsia tulee vahtia, etteivät he leiki laitteen kanssa.



Tuotteessa tai sen pakkauksessa oleva merkintä tarkoittaa, ettei tätä tuotetta saa hävittää kotitalousjätteen mukana. Sen sijaan on sinun vastuullasi, että hävität käytetyn laitteen viemällä sen elektronisille ja sähkölaitteille tarkoitettuun keräyspisteeseen kierrätystä varten. Käytetyn laitteen hävittäminen erikseen kierrättämällä auttaa säilyttämään luonnonvaroja ja varmistamaan, että laite kierrätetään ihmisten terveyttä ja ympäristöä suojelevalla tavalla. Lisätietoja siitä, mihin voit viedä kierrätysjätteet, saat ottamalla yhteyttä paikallisiin viranomaisiin tai tuotteen myyntipaikkaan.



**VAR FÖRSIKTIG!** Anordningen får inte användas av personer (inklusive barn) med nedsatt fysisk, sensorisk eller mental förmåga eller som saknar erfarenhet eller kunskap, förutom när de övervakas eller instrueras. Man måste även säkerställa att barn inte leker med anordningen.



Symbolen på produkten eller på dess förpackning anger att produkten inte får slängas med hushållsavfall. Det åligger dig istället att kassera anordningen genom att ta den till en designerad insamlingspunkt för återvinning av kasserad elektrisk och elektronisk utrustning. Den separata insamlingen och återvinningen av din kasserade utrustning bidrar till att skydda naturresurser och säkerställa att den återvinns på ett sätt som skyddar människors hälsa och miljön. För mer information om vart du kan ta ditt avfall för återvinning ska du kontakta lokala myndigheter eller platsen där du köpte produkten.



**ВНИМАНИЕ** – Настоящим прибором нельзя пользоваться лицам (включая детей) с ограниченными физическими возможностями, характеристиками сенсорной системы и умственными способностями; лицам, не обладающим достаточным опытом или знаниями, или не получившим необходимых инструкций или подготовки; необходимо следить за тем, чтобы дети не играли с настоящим прибором.



Знак на этом приборе или на его упаковке указывает на то, что настоящий прибор нельзя выбрасывать с бытовым мусором. Вместо этого, Вы обязаны утилизировать использованный прибор, оставив его в соответствующем пункте сбора утильсырья и отходов производства электрического и электронного оборудования. Сбор и утилизация Вашего использованного оборудования поможет в сохранении природных ресурсов, в защите здоровья людей и окружающей среды. За дополнительной информацией о том, куда можно принести использованный прибор для утилизации, обращайтесь в местные органы власти или в место приобретения прибора.



**ATTENZIONE** - Questo apparecchio non deve essere utilizzato da persone (bambini inclusi) con ridotte capacità fisiche, sensoriali o mentali, o persone che non abbiano adeguata esperienza o conoscenza, a meno che non siano sotto stretta sorveglianza o siano state adeguatamente istruite circa l'uso dell'apparecchio stesso. I bambini sotto la supervisione di un adulto non devono giocare con questo apparecchio.



Il simbolo sul prodotto o sull'imballaggio indica che questo apparecchio non può e non deve essere smaltito con altri rifiuti domestici. Pertanto, è vostra responsabilità consegnare questo prodotto da smaltire ad un ente specializzato nel riciclaggio di materiale elettrico ed elettronico. La raccolta differenziata e il riciclaggio di tali rifiuti nel momento dello smaltimento aiuteranno a preservare le risorse naturali e garantiranno un riciclaggio adatto a proteggere il benessere dell'uomo e dell'ambiente. Per ulteriori informazioni su dove poter smaltire i rifiuti riciclabili, si prega di contattare l'autorità locale pertinente, o il punto vendita dove si è acquistato il prodotto.



**MISE EN GARDE** – Cet appareil ne doit pas être utilisé par des personnes (y compris des enfants) dont les capacités physiques, sensorielles ou mentales sont réduites ou qui ne possèdent pas l'expérience et les connaissances requises, sauf s'ils sont supervisés ou reçoivent les instructions; les enfants, même supervisés, ne doivent pas jouer avec l'appareil.



Le symbole apposé sur le produit ou son emballage indique qu'il ne doit pas être mis au rebut avec les déchets ménagers. Il vous incombe de mettre au rebut votre équipement usagé en l'apportant à un point de collecte désigné pour le recyclage de l'équipement électrique et électronique. La collecte et le recyclage séparés de votre équipement usagé au moment de la mise au rebut permettra de préserver les ressources naturelles et de s'assurer qu'il est recyclé d'une manière qui protège la santé humaine et l'environnement. Pour de plus amples renseignements sur l'endroit où vous pouvez déposer les déchets à recycler, veuillez vous adresser aux autorités locales ou au magasin où vous avez acheté le produit.



**PRECAUCIÓN:** el aparato no debe ser utilizado por personas (incluidos niños) que tengan su capacidad física, sensorial o mental disminuida, o falta de experiencia y conocimientos, a menos que cuenten con supervisión o instrucciones (los niños deben ser supervisados para que no jueguen con el electrodoméstico).



El símbolo que aparece en el producto o el embalaje indica que este producto no debe desecharse como si fuese cualquier otro producto desechable de su hogar. En su lugar, usted es responsable de desechar el aparato depositándolo en uno de los puntos de recogida designados para reciclaje de productos eléctricos o electrónicos. Al separar y reciclar su equipo desechable de este manera, ayudará a conservar los recursos naturales y a asegurarse de que el reciclaje se realice de tal modo que proteja la salud humana y el medioambiente. Para más información sobre dónde depositar el producto desechable para su reciclaje, póngase en contacto con las autoridades de su localidad, o con el establecimiento donde adquirió el producto.



**CUIDADO** - O aparelho não deverá ser usado por pessoas (incluindo crianças) com reduzidas capacidades físicas, sensoriais nem mentais, nem com falta de experiência ou de conhecimentos, a não ser que lhes tenham sido dada instrução ou supervisão - deverá haver vigilância para que as crianças não brinquem com o aparelho.



O símbolo no produto ou na sua embalagem indica que este produto não deverá ser descartado com outros lixos caseiros. Em vez disso, será da sua responsabilidade eliminar o seu equipamento descartado entregando-o num local de recolha de equipamentos eléctricos e electrónicos descartados para serem reciclados. A recolha separada e a reciclagem dos seus equipamentos descartados na ocasião da sua eliminação ajudarão a conservar os recursos naturais e a assegurar que eles sejam reciclados de uma maneira que proteja a saúde humana e o ambiente. Para obter mais informações sobre onde poderá entregar os seus lixos para reciclagem, por favor contacte as suas autoridades locais ou o local onde comprou o seu produto.



**ADVARSEL** - Apparatet må ikke anvendes af personer (herunder børn) med nedsatte fysiske, sensoriske eller mentale evner eller manglende erfaring og viden, medmindre de er blevet vejledt eller instrueret – børn, også dem, der er under opsyn, må ikke lege med apparatet.



Symbolet på produktet eller emballagen angiver, at dette produkt ikke må bortskaffes sammen med andet husholdningsaffald. I stedet er det dit ansvar at bortskaffe det brugte udstyr ved at aflevere det på et angivet indsamlingssted for genbrug af kasseret elektrisk og elektronisk udstyr. Denne særskilte indsamling og genbrug af dit kasserede udstyr på tidspunktet for bortskaffelsen hjælper med at bevare naturens ressourcer og sikrer, at udstyret genbruges på en måde, der beskytter menneskers helbred og miljøet. For mere information om, hvor du kan aflevere dit affald til genbrug, bedes du kontakte din kommune eller det sted, hvor du købte produktet.



# MOSQUITO MAGNET®

**NB! Feil I forbrukermanual – Side N-8, punkt «Oppsett – montere propanflasken»**

**Det er viktig at du alltid leser nøye gjennom og følger manualen til din Mosquito Magnet**

## OPPSTART TIL SESONG

- Før oppstart må temperaturen ute være over +10 C.
- Har din Mosquito Magnet vært i bruk tidligere sesonger, må du alltid starte med en Co2-rens for å åpne tilførsel av luft og gass.

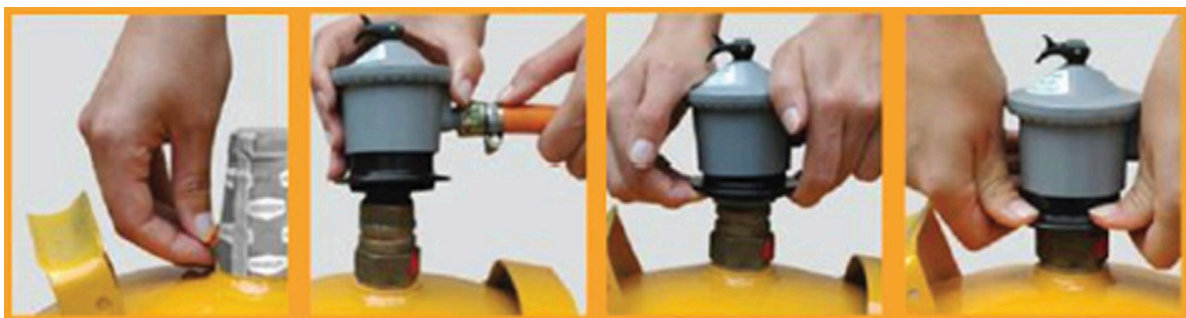
### Plassering av Mosquito Magnet

Mosquito Magnet myggfelle må plasseres i området mellom der myggen legger egg og klekker (vann, busker og vegetasjon) og der hvor mennesker oppholder seg (terrasse, uteplatå og liknende).

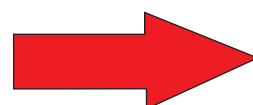
- Plasser myggfellen unna mennesker, cirka 15-20 meter unna oppholdssteder.
- Plasser myggfellen i motvinds-retning fra kletteområdet.
- Plasser myggfellen i et åpent område.
- Plasser myggfellen i skyggen.

### Slik skal du på en riktig og sikker måte sette regulatoren på gassflaska.

1. Fjern eventuell forsegling på gassflasken. Ikke bruk kniv eller noe som kan skade pakningen. Sjekk at pakningen på flasken er hel, ren og myk.
2. Plasser regulatoren over gassflasken. Pass på at bryteren på toppen av regulatoren (regulatorbryteren) er stengt, slik at rødt flammetejn er ned.
3. Press låseringen opp og sett regulatoren ned på flaskeventilen.
4. Trykk låseringen ned med begge hender til den går i lås (et lite klikk). Løft i regulatoren og sjekk at den er på plass. Deretter kan du igjen åpne regulatorbryteren (rødt flammetejn opp)



Regulatorbryteren skal være stengt når apparatet ikke er i bruk. Når du ikke skal bruke gass på en stund, skal regulatorbryteren på toppen vippes over eller regulatoren kobles fra.





## Påkrevd vedlikehold og tilsyn under sesongen.

Bruk dette som ditt vanlige vedlikeholdsskjema under sesongen.

For at din Mosquito Magnet skal fungere optimalt er det viktig med regelmessig vedlikehold og tilsyn under hele sesongen.

### Enkle huskereglene for god og jevnlig vedlikehold på din Mosquito Magnet er:

En gassbeholder på 11kg varer i cirka 21 dager (tre uker).

Når du skifter gass (NB! Ikke bruk gass fra selvpåfyllingsstasjoner), skifter du også Oktenol-tabletten.

Før du setter i gang maskinen kjører du også en Co2-rens.

### Les punktene under nøye:

**1**

#### Skifte Oktenol-tablett

Det er lukten av Oktenol som tiltrekker seg hunn-mygg og knott, derfor er det viktig at denne skiftes jevnlig. Oktenol-tabletten byttes etter cirka 21 dager, da er den brukt opp. Fangsten vil minske betydelig dersom Oktenol-tabletten ikke byttes ut.

**2**

#### Tømming og rengjøring av myggnettet

Rengjør myggnettet kontinuerlig gjennom hele sesongen. Rengjør myggnettet ordentlig med en børste, helst tannbørste. Dersom nettet er tett, slitt eller skadet på noen måte må det byttes ut. Myggfellen må ha lufttilførsel for å fungere. Dersom nettet blir for fullt av mygg og knott, påvirker det fangsten negativt og kan også føre til at maskinen ikke starter eller stopper. Rengjør myggnettet for å unngå dette. Vi anbefaler at du alltid har to myggnett, slik har du alltid et rent nett klar til bruk når du tømmer eller rengjør nettet i maskinen. Dermed forenkler du tømming av nettet og forlenger nettets levetid. (Når mygg og knott kommer inn i nettet tar det 24 timer før de dør. Vi anbefaler derfor at du ikke tømmer nettet med en gang du tar det ut. Legg det fulle nettet i en plastpose, knyt den igjen og legg i solen eller i fryseren en stund for å forsikre deg at all mygg og knott er døde, før du tømmer nettet).

**3**

#### Rengjøring av maskinen.

Sørg for å holde din Mosquito Magnet ren. Kontinuerlig vedlikehold forlenger maskinens levetid. Tørk av fellen utvendig jevnlig med en fuktig klut. Ikke bruk kjemiske rengjøringsmidler. Ved gassbyte kan du fjerne/skru løs maskinens sideluker og rengjøre disse med en fin børste ved behov. Tette luker vil minske fangsten og kan føre til at maskinen stopper. Ved ekstreme forhold kan små knott, støv, eller skitt havne i selve maskinen. Da kan det være nødvendig å rengjøre inni maskinen. Du kan støvsuge forsiktig hvis du ser knott, skitt eller støv ved sideluker eller i maskinen. Ved behov, ta bort det grønne topplokket.

## Support

Starter ikke fellen, eller det er andre feil, se våre support-sider på [www.mygg.no](http://www.mygg.no) eller kontakt oss på vår support-telefon på 22 80 90 30.

Fellene er ment å gå ved gjennomsnittstemperatur over 10 grader. Ved lavere temperaturer kan det være at fellen ikke vil starte, eller stopper.

Åtte av ti oppstartsproblemer løses ved å ta en Co2-rens, se manualen for hvordan dette gjøres.

Ved feil på fellene/reklamasjon skal dette gjøres via våre reklamasjonssider på [www.myggservice.no](http://www.myggservice.no).

Du trenger ikke kontakte forhandleren hvor du kjøpte produktet for support/reklamasjon.

# Nedstengning ved lav temperatur

Fellen har en temperaturføler som kan brukes til å sette fellen i ventemodus automatisk når både utelufttemperaturen og felletemperaturen er under et settpunkt **valgt av brukeren**. Forskning har vist at det er svært liten myggaktivitet når lufttemperaturen faller under 10 °C (50 °F). Enkelte steder og for noen myggarter kan imidlertid aktiviteten fortsette ved temperaturer under 10 °C (50 °F). Fellen har et nedstengningspunkt for lav temperatur, som kan **velges av brukeren** fra 10 °C (50 °F) og nedover, i trinn på 2,8 °C (5 °F) til en minimumstemperatur på -1 °C (30 °F). **Standardinnstillingen på fellen er ingen nedstengning ved lav temperatur.**

For å få tilgang til parameterne for nedstengning ved lav temperatur trykker og holder du inne modusknappen i minst 3 sekunder til menyen for nedstengning ved lav temperatur vises. Bla gjennom temperaturvalgene ved å trykke på modusknappen, fra Av (blank) og deretter til 30, 35, 40, 45 og 50 (°F). Hvis du fortsetter å trykke på modusknappen etter 50, kommer du tilbake til Av (blank) og gjentar deretter syklusen. Når en temperatur er valgt, slutter du å trykke på modusknappen, venter i ca. 3 sekunder, og så blir temperaturvalget automatisk lagret.

Hvis fellen kjører (ordet RUN (Kjør) vises og den grønne LED-lampen er på) og verdien for nedstengning ved lav temperatur er valgt, vil fellen slås av når lufttemperaturen og felletemperaturen har falt under settpunktet. Når fellen er i modus for nedstengning ved lav temperatur, vil ordet COOL (Kald) og termometerikonet blinke. Fellen vil starte på nytt når temperaturføleren indikerer at lufttemperaturen og felletemperaturen er **ca. 2,8 °C (5 °F) over den valgte verdien for nedstengning ved lav temperatur.**

Hvis fellen er i oppvarmingsmodus når temperaturen faller under det valgte settpunktet, vil den slås av, **men den vil ikke startes igjen automatisk.**

Besøk oss på nettadressen **mosquitomagnet.com** for mer informasjon om tips og anbefalinger for Mosquito Magnet.

Woodstream Corporation  
69 North Locust Street  
Lititz, PA 17543  
USA  
www.mosquitomagnet.com

432-459



# MOSQUITO MAGNET®

# Velkommen

Gratulerer med ny Mosquito Magnet®. Nå kan du nyte det å være utendørs igjen.

Mosquito Magnet® er den mest populære myggfellen i Nord-Amerika. Den er blitt testet og forsket på i atten år, og den reduserer betraktelig antall mygg og andre stikkende insekter i hagen din. Dette er vitenskapelig bevist.

Mosquito Magnet er enkel å bruke. I denne brukerhåndboken vil du finne informasjon om hvordan den fungerer, beste plassering av myggfellen, vedlikehold, oppbevaring og garanti. For å få fellen til å virke på best mulig måte må du plassere den på riktig sted, brukeriktig lokkemiddel i forhold til ditt område, og ha gode vedlikeholdsrutiner. For å oppnå best mulig resultat må du bytte propanflaske og lokkemiddel hver tredje uke.

Se vår webside [www.noragent.no](http://www.noragent.no) hvis du ønsker mer informasjon om Mosquito Magnet, få gode råd og forbrukeranbefalinger.

## Woodstream® Corporation

69 North Locust Street  
Lititz, PA 17543  
USA  
[www.mosquitomagnet.com](http://www.mosquitomagnet.com)

### Patenter:

Danmark: patentnr. 1432304  
Finland: patentnr. 1432304  
Frankrike: patentnr. 1.537.780, 1.011.324, 1.049.373 og 1.432.304  
Tyskland: patentnr. 1011324, 1049373 og 60211538.8  
Hellas: patentnr. 1011324 og 1432304  
India: patentnr. 228997  
Irland: patentnr. 1011324 og 1432304  
Italia: patentnr. 1.537.780, 1.011.324, 1.049.373 og 1.432.304  
Japan: patentnr. 4317748  
Portugal: patentnr. 1011324 og 1432304  
Spania: patentnr. 1.537.780, 1.011.324 og 1.432.304  
Sverige: patentnr. 1537.780 og 1.432.304  
Storbritannia og Nord-Irland: : patentnr. 1537.780, 1.011.324, 1.049.373 og 1.432.304  
Australia: patentnr. 726575; 735984; 2002356537 og 2012202864  
Danmark: patentnr. 1432304  
New Zealand: patentnr. 335035 og 506403  
Singapore: patentnr. 64595  
Afrika: patentnr. 97/8366  
Kina: patentnr. ZL0281957.X og ZL03812961.2  
Brasil: patentnr. 9711 492- 8; 9908104-0 og PI0508967-0  
Mexico: patentnr. 250272  
Andre patentanme/de/ser

Produsert i USA

## AV SIKKERHETSMESSIGE GRUNNER

### Hvis du lukter gass:

1. steng gassen på flasken.
2. slukk eventuelle flammer.
3. Åpne lokket.
4. Hvis lukten fortsetter, må du umiddelbart ta kontakt med gassforhandler eller brannvesenet.

## AV SIKKERHETSMESSIGE GRUNNER

1. Bensin og andre typer brennfarlig og damp må ikke brukes eller oppbevares i nærheten av denne myggfellen eller andre typer apparater.
2. En propanflaske som ikke er tilkoblet må ikke oppbevares i nærheten av denne fellen eller andre typer apparater.



# MOSQUITO MAGNET®

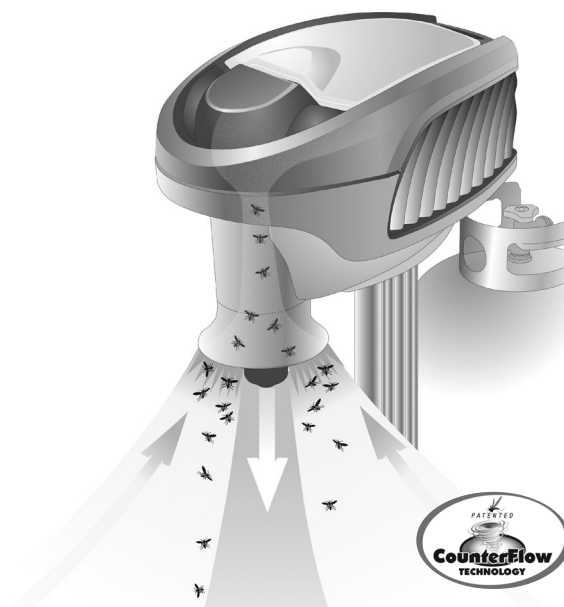
# Innhold

<b>Sikkerhetsinstrukser</b>	<b>3n-4n</b>
<b>Apparatets ulike deler</b>	<b>5n</b>
<b>Bruksanvisning for montering</b>	<b>6n</b>
Monte ring av felle	
Montering av insektpose	
<b>Oppsett</b>	<b>7n</b>
Hvordan man lader	
Plassere fellen	
<b>Bruksanvisninger</b>	<b>8n</b>
Hvordan starte maskinen	
Hvordan stenge maskinen	
Når den ikke brukes	
Oppbevaring ved sesongslutt	
For best resultat	
<b>Smart teknologi</b>	<b>9n</b>
Hvordan stille inn drivstoffsparende innstillinger	
Drivstoffsparende innstillinger	
Kald temperaturindikator	
Advarsel om lite batteri	
Barnesikring	
<b>Vedlikehold</b>	<b>10n</b>
Vedlikehold	
Tips angående bytting av propanflaske	
Vedlikeholdsrutiner	
<b>Feilsaking</b>	<b>11n</b>
LED-feilkoder	

## Spørsmål og svar

Woodstream® Corporation  
69 North Locust Street  
Lititz, PA 17543  
USA  
[http://www.mosquitomagnet.com/store\\_locator/International/](http://www.mosquitomagnet.com/store_locator/International/)

<b>Modellnummer:</b>	Executive
<b>Serienummer:</b>	
<b>Type gass:</b>	propan
<b>Manifoldtrykk:</b>	100 – 110 psi (6,90-7,58 bar)
<b>Minimum inngående gasstrykk:</b>	0,39 bar
<b>Inntak:</b>	759 Btu per time
<b>Minimum avstand:</b>	51 - 61 cm



## Hvordan Mosquito Magnet® virker

Mygg og andre stikkende insekter merker karbondioksid (CO<sub>2</sub>) på lang avstand, og kan på denne måten finne mennesker. Når myggen mermer seg vil den søke etter lukten på huden din, og bestemmer seg deretter for hvilken person den skal stikke. Mosquito Magnet etterligner mennesker ved å omdanne propan til CO<sub>2</sub>. Den gjør dette ved bruk av katalytisk rensing som er en patenterte teknologi, i kombinasjon med et lokkemiddel (luktestoff).

Mosquito Magnet tiltrekker seg mygg og andre stikkende insekter pga. CO<sub>2</sub> og et lokkemiddel (R-Octenol luktestoff). Når de når frem til myggfellen vil insektene bli sugd inn i en insektpose/nett ved hjelp av vår patenterte CounterFlow Technology™. Her vil de dehydrere og dø innen 24 timer.

Mosquito Magnet er stille og luktfri. Når fellen er plassert riktig i hagen din, vil den umiddelbart begynne å virke. Du vil få merkbare resultater innen 7 til 10 dager. Etter 4 uker vil du merke at antall stikkende insekter er drastisk redusert. La Mosquito Magnet stå ute hele sommeren slik at den kan effektivt bekjempe myggbestanden i din hage.

Det er kun stikkende insekter som blir berørt av denne myggfellen, som f.eks. mygg, knott, sandflue og tuneflue. Nyttige insekter som sommerfugler, bier og møll blir ikke berørt.



# Sikkerhetsinstruksjoner

**Vennligst les og følg alle disse sikkerhetsinstruksene og advarslene.**

Barn og voksne må være obs på farlige høye overflatetemperaturer. Hold avstand slik at man unngår å bli brent eller at klærne tar fyr.

Pass godt på små barn når de er i nærheten av varmeelementet. Fellen må være utilgjengelig for barn.

Klær og andre brannfarlige gjenstander må ikke henge over varmeelementet, eller bli plassert i nærheten av varmeelementet.

**Merk:** Noen, eller alle, av de følgende sikkerhetsinstruksene for propandrevne enheter, gjelder for din myggfelle. Du må la myggfellen avkjøle seg i 5 minutter før du starter den på nytt.

**⚠ Advarsel:** Feil montering, justering, forandring, service og vedlikehold kan forårsake personskader eller materielle skader. Du må lese bruksanvisningen nøye om hvordan du skal installere, bruke og vedlikeholde myggfellen før du installerer eller vedlikeholder apparatet.

**⚠ Forsiktig:** Gassregulatoren som er levert med apparatet må brukes. Regulatorens utgående trykk er satt til 0,39 bar. Minimum inngående gasstrykk er satt til 0,39 bar fra regulatoren.

- Dette apparatet egner seg ikke til å bli brukt i campingbiler og/eller båter.
- Du må slå av gassen til propanflasken når apparatet ikke er i bruk.
- Alt utstyr som er beregnet for gass ska I vane CE-merket og ha bruker- og vedlikeholdsveiledning på norsk. Installasjon må utføres i hen hold til gjeldende forskrifter om brannfarlig eller trykksatt staff.
- For å teste om gassen lekker kan du plassere såpevann rundt koblingsstykket, regulatoren og gasslangen. Hvis det oppstår såpebobler lekker det gass.
- Du må alltid kontrollere slang en før du tar den i bruk. Hvis det er tydelige tegn på slitasje, eller det er sprekke i slangen, må du bytte slangen før du begynner å bruke den. Den nye slangen må være anbefalt av fabrikanten.
- Myggfellen er utstyrt med en innvendig gnisttenner. Hvis du ikke følger startprosedyren kan det resultere i at myggfellen ikke vil starte.
- Installasjon og reparasjon bør utføres av en montør med dokumentert kompetanse (du kan finne serviceforhandlere ved å gå til vår webside [www.noragent.no](http://www.noragent.no)).

Apparatet bør alltid kontrolleres før det tas i bruk, og en montør med dokumentert kompetanse bør inspisere apparatet minst en gang per år. Del kan være nødvendig at du rengjør apparatet oftere. Del er ytterst viktig at du holder reguleringsenheten, brennere og de sirkulerende luftveiene på varmeapparatet rene.



## MOSQUITO MAGNET®

# Sikkerhetsinstruksjoner

- Hold en avstand på 51-61 cm rundt luftåpningene som fører til brennkammeret. Hold brennbar materiale borte fra apparatet. Forbrenningsluft og ventilasjonsluft må ikke blokkeres. Hold området rundt myggfellen fri for brennbar materiale, bensin og andre typer brennbar damp og væske. Du må ikke bruke apparatet på steder hvor det er stor sannsynlighet for at brennbar damp eller eksplosive stoffer kan oppstå.
- Se til at forbrenningsluft og ventilasjonsluft ikke er blokkert.
- Se til at det ikke er smuss rundt ventilasjonsåpningene på flasken.
- Rengjør myggfellen med en fuktig klut, hvis det blir nødvendig.
- Propanflasken må være utstyrt med en avstengningsventil som stenger propanen fra gassflasken i henhold til gjeldende forskrifter om brannfarlig eller trykksatt stoff. Alt utstyr som er beregnet for gass skal være CE-merket.
- Propanflasken må være beregnet på et damptilførselssystem, og flasken må ha en krage som beskytter sylinderventilen.
- Propanflasken som du bruker må være konstruert og merket for propanflaske i henhold til gjeldende forskrifter om brannfarlig eller trykksatt stoff. Alt utstyr som er beregnet for gass skal være CE-merket.
- Myggfellen må kun brukes utendørs, og området må være godt ventilert. Den må ikke brukes inne i en bygning, garasje, eller andre innestengte områder.
- Hvis du ønsker å oppbevare apparatet innendørs, må du stenge gassen og ta ut propanflasken, for deretter å fjerne det fra apparatet.
- Propanflasken må oppbevares utendørs, og området må være godt ventilert. Propanflasken skal oppbevares utilgjengelig for barn.
- Propanflasker må ikke oppbevares inne i en bygning, garasje eller andre innestengte områder.
- Denne propanflasken kommer med en trykkregulator og en slangeforbindelse som må brukes når du skal montere propanflasken. Bruk kun trykkregulatorer og slangeforbindelser som er anbefalt av fabrikanten.
- Unngå feilaktig bruk av skjøteledninger. Se til at koblinger ikke kommer i kontakt med fuktighet. Unngå å ødelegge ledningen.
- Hvis drivstoffledningen er ødelagt må den byttes av fabrikanten, et serviceverksted, eller en montør med dokumentert kompetanse, for å unngå farer.

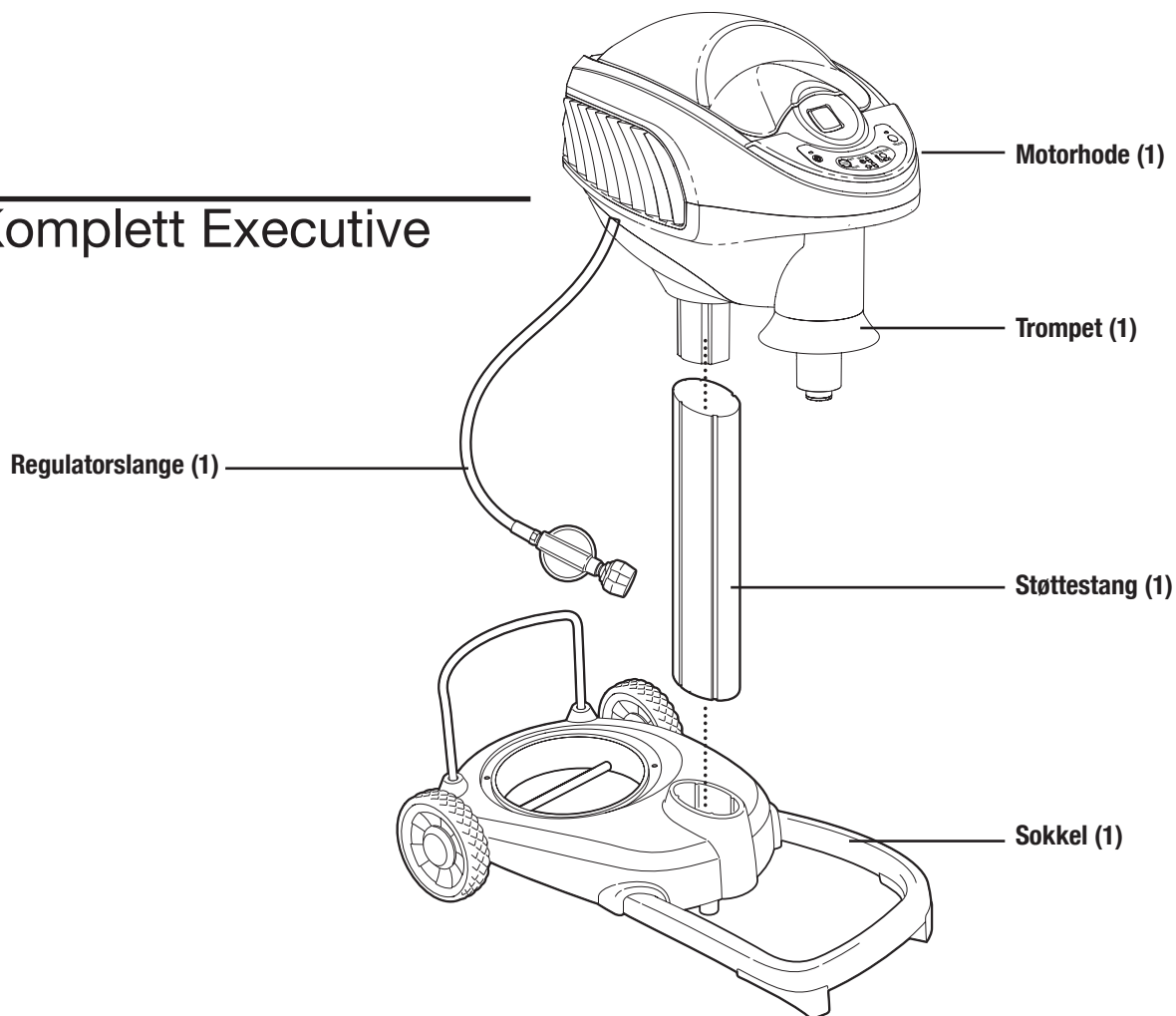
***Gå til webside [www.noragent.no](http://www.noragent.no)***



# Apparatets ulike deler

---

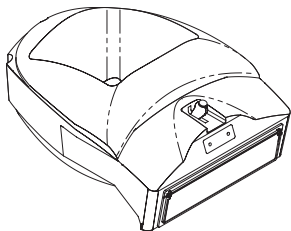
## Komplett Executive



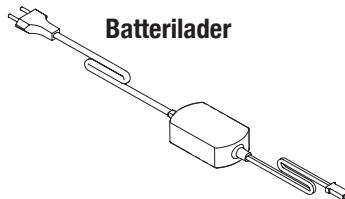
---

## Inkluderte deler

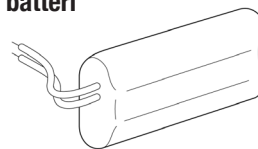
Insektpose



Batterilader



Oppladbart batteri

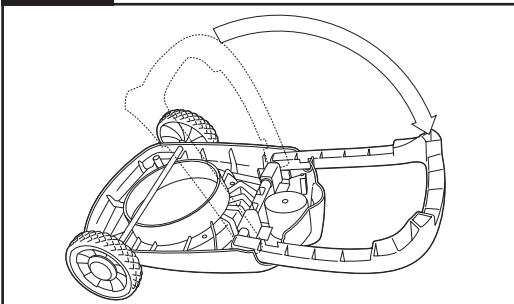


**MOSQUITO MAGNET®**

# Bruksanvisning for montering

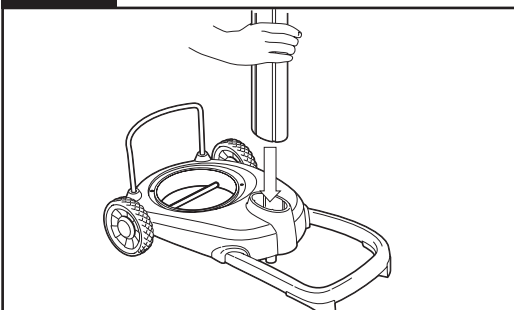
## Montering av felle:

### Punkt 1



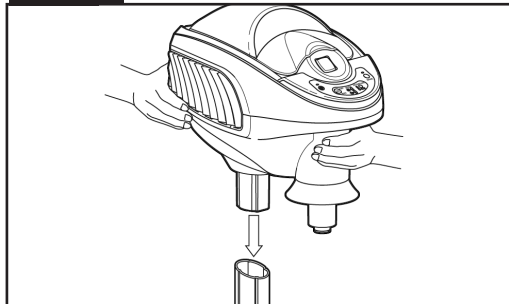
Legg sokkelen opp ned på flat bakke. Bøy ut støttebenet som er U-formet. Du vil høre at det smetter på plass.

### Punkt 2



Snu sokkelen og støttebenet tilbake. Sett støttestangen i hullet på sokkelen.

### Punkt 3



Plasser myggfellens motorhode på støttestangen. Bruk to hender for å trykke det hardt ned, slik at det sitter trygt.

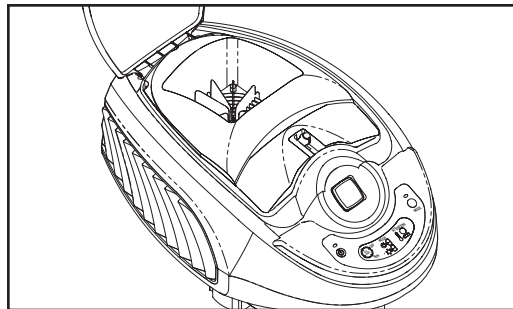
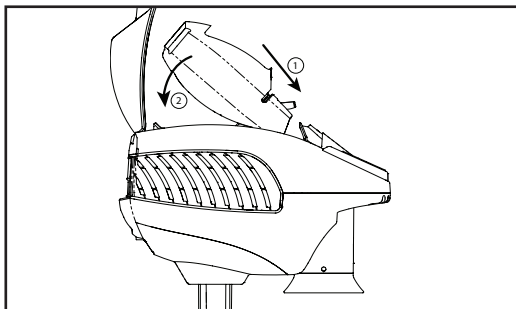
En montert myggfelle ska ha fremsiden av motorhodet/trompeten lengst unna hjulene, og peker samme veg som støttebenet med U-form.

### Punkt 4

Batteriet kommer ikke fulladet fra fabrikken. Lad batteriet før første bruk. Ved normal bruk vil batteriet vare ut hele sesongen. Se side 7n for ytterligere informasjon.

## Montering av insektpose:

For å installere insektposen må du først feste foran/åpning, deretter dytter du forsiktig ned bakkdelen til den sitter på plass.





# Oppsett

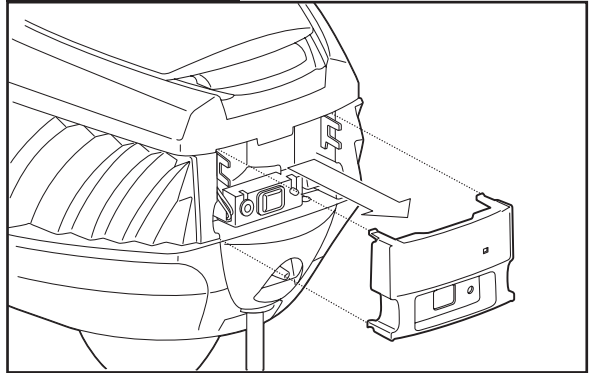
## Hvordan man lader

1. Ta av dekslet som sitter på baksiden av motorhodet (dekslet åpnes med et klikk).
2. Batteriladeren kan ikke brukes utendørs. Batteriet må lades inne.
3. Koble batteriladeren til en egnet kontakt inne.
4. Koble det oppladbare batteriet til batteriladeren.
5. LED-lyset på batteriladeren vil lyse rødt når batteriet blir ladet. Når batteriet er fulladet vil LED-lyset lyse grønt. Det tar vanligvis under to timer å lade batteriet.
6. Dette er en automatisk batterilader. Når batteriet er fulladet vil laderen bruke en trygg ladestrøm som vedlikeholder batteriet. Batteriet vil derfor ikke bli overladet. For å bevare batteriet lengst mulig må du unngå å la batteriet sitte i laderen i lange perioder.
7. Når batteriet er fulladet må du koble batteriet fra batteriladeren, og sett batteriet tilbake i Mosquito Magnet Executive.
8. Sett inn og koble til det oppladbare batteriet.
9. Sett tilbake dekslet på baksiden av motorhodet.

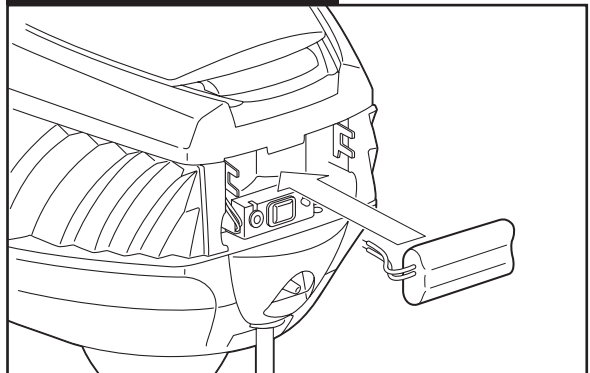
## Plassere tellen

1. Du må fastslå hvilken retning vinden vanligvis blåser. Dersom du er usikker, undersøk det lokale værmønsteret først.
2. Stå midt i det området som du ønsker å beskytte, se mot vinden.
3. Riktig plassering av myggfellen er 10 m foran deg, og 1,5 m unna vegetasjon (f.eks. busker, blomsterbed, tregrense, moseområder). Pass på at myggfellen ikke står rett ved siden av en sperring som f.eks. en bygning, et gjerde, osv.
4. Vi anbefaler at du setter myggfellen i skyggen.
5. Du må ikke plassere myggfellen direkte over en vannkilde (sprinkler, slange, osv).
6. Myggfellen må stå på flat bakke, ellers kan den velte, og prop a nen blir ujevnt fordelt.
7. For ideelle felle plassering i hagen din, kan du se instruksjonsvideo på [www.mosquitomagnet.com/videos](http://www.mosquitomagnet.com/videos) til bygge ditt eget verksted diagrammet for riktig felle plassering.

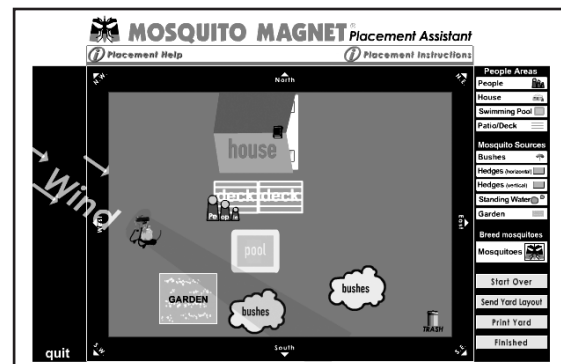
## Ta av bakre deksel



## Sett inn og koble til batteriet



**MERK:** Du må forsikre deg om at dekslet er satt tilbake; myggfellen er ikke væbestandig uten dekslet på plass.



# MOSQUITO MAGNET®

# Bruksanvisninger

**\*\*LES BRUKERHÅNDBOKEN FØR DU STARTER\*\***

**Lad batteriet som fork/art på side 7n. Ved riktig bruk vil batteriet vare ut hele sesongen.**

## Hvordan starte maskinen

Vi anbefaler at du leser hele brukerhåndboken før du starter Mosquito Magnet® myggfellen.

1. For å starte myggfellen må du trykke og holde inne ON/OFF-knappen (AV/PA) i tre sekunder helt til LED-lyset lyser oransje.
2. Du vil se RUN (KJØR) på skjermen. Du vil også se WARM (VARM) og indikatorpilene blinke på skjermen. LED-lyset (over ON/OFF-knappen) vil lyse oransje.
3. Viften vil skifte fra lav hastighet til høy hastighet etter ca. 3 minutter.
4. Skjermen vil blinke WARM (VARM), og LED-lyset vil lyse oransje i ca. 15-25 minutter når myggfellen varmer seg opp.
5. Når myggfellen har fått riktig brukstemperatur, vil LED-lyset skifte til grønt, og WARM (VARM) vil bli borte fra skjermen.

## Hvordan stenge maskinen

For å slå av myggfellen må du trykke på ON/OFF-knappen (AV/PA). RUN (KJØR) vil vise seg på skjermen. COOL (AVKJØL) og indikatorpilene vil blinke på skjermen. LED-lyset vil lyse grønt. Etter at myggfellen har avkjølt seg i to minutter vil viften stoppe, LED-lyset slår seg av, og du vil se OFF (AV) på skjermen.

## Når den ikke brukes

Hvis du ikke bruker apparatet, må du slå av gassen. Du kan oppbevare dette apparatet innendørs hvis du har koblet fra og fjernet flasken fra apparatet. Propanflasken må oppbevares utendørs, og utilgjengelig for barn. Den må ikke oppbevares i en bygning, garasje eller an net innestengt område.

## Oppbevaring ved sesongslutt

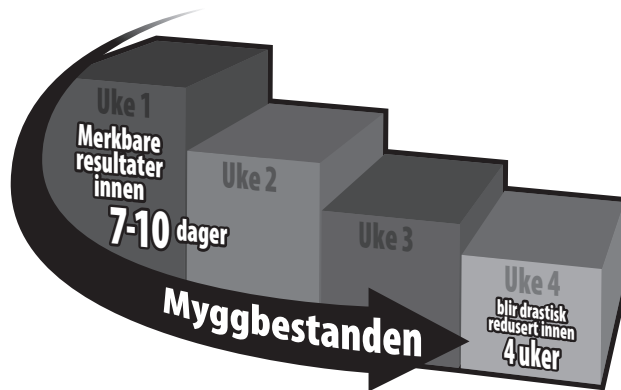
Det står forklart over hvordan du slår av myggfellen. Følg disse instruksene før du stenger ventilen på propanflasken, eller kobler fra regulatoren. Steng så ventilen på propanflasken og koble fra regulatoren. Du må også koble fra batteriet, men du må passe på at du ikke fjerner batteriet fra myggfellen.

Mosquito Magnet R-Octenol luktestoff som er åpnet bør fjernes og kastes. Henvist til merkelappen på lokkemiddelet for å få informasjon om hvordan det bør avhendes. Du må også kaste insektposen før du oppbevarer myggfellen.

**OPPBEVARING:** Dekk myggfellen med et cover eller en plastduk. Fest det godt på undersiden slik at ikke støv, spindelvev og annet smuss trenger inn.

**For å oppnå best resultat må du la myggfellen gå 24 timer i døgnet**

- Myggfellen din vil begynne å virke umiddelbart, og du vil få merkbare resultater innen 7 -10 dager. Etter 4 uker vil du merke at myggbestanden i din hage er drastisk redusert.



- Du må la myggfellen avkjøle seg i 5 minutter før du starter den på nytt.
- Du må aldri spraye insektspray på eller rundt fellen.
- Myggfellen tåler regn, men ikke plasser fellen direkte over en vannkilde (sprinkler, slange osv.).
- Hvis du skal gjødsle med kalk eller andre typer gjødsel må du først slå av myggfellen. Dette forhindrer at insektposen blir tilstoppet med fint støv.

**Advarsel:** Feil montering, justering, forandring, service og vedlikehold kan forårsake personskader eller materielle skader. Du må lese bruksanvisningen nøye om hvordan du skal installere, bruke og vedlikeholde myggfellen før du installerer eller vedlikeholder fellen.

**Forsiktig:** Gassregulatoren som er levert med apparatet må brukes. Regulatorens utgående trykk er satt til 0,39 bar. Du må slå av gassen på propanflasken når du ikke bruker apparatet.



# Smart teknologi

## Hvordan stille inn drivstoffsparende innstillinger

Myggfellen kan gå hele døgnet, eller du kan velge å bruke en av de 4 drivstoffsparende innstillingene. Med disse innstillingene vil propanflasken vare lenger. For å oppnå best mulig resultat må propanflasken stå på hele tiden, og den vil da vare i 21 dager. I diagrammet under står det oppført hvor mye propan som brukes i henhold til de enkelte innstillingene.

Drivstoffsparende innstillinger	Flaskens varighet*	Timer stengt på dagtid	Timer stengt på kveldstid
Innstilling 1	22 dager	1 t.	1 t.
Innstilling 2	24 dager	2 t.	2 t.
Innstilling 3	27 dager	3 t.	3 t.
Innstilling 4	30 dager	4 t.	4 t.

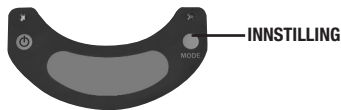
\* Gjelder for propanflaske på 9,07 kg. (20lb)


Når myggfellen brukes med drivstoffsparende innstillinger vil det ikke bli brukt noe propan midt på dagen eller midt på natten. Forskning viser at myggen er minst aktiv i løpet av disse periodene.

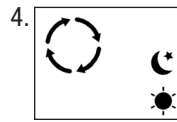
**Merk:** Før du begynner å bruke de drivstoffsparende innstillingene må du la myggfellen gå i 3 hele døgn fordi systemet "Smart Teknologi" må lære å kjenne igjen dag og nattperiodene. Dette systemet bruker en fotosensor som signaliserer til myggfellen når den skal slå seg av ved å kjenne igjen soloppgang og solnedgang ettersom sesongene forandrer seg.

## Drivstoffsparende innstillinger

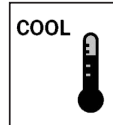
1. Trykk på MODE-knappen for å velge drivstoffsparende innstillinger.



2.  Hver gang du trykker på MODE-knappen vil systemet veksle mellom de forskjellige innstillingene 1, 2, 3, 4, Off (Av), 1, osv.
3. I innstilling 1 vil myggfellen slå seg av i 1 time midt på dagen, og i 1 time midt på natten. Innstillingene 2, 3 og 4 slår seg av som forklart over, men i 2, 3 og 4 timer.



4. For å vise at myggfellen står i en drivstoffsparende innstilling vil pilene blinke, og det grønne LED-lyset vil være av. I tillegg vil også sol-ikonet på myggfellen blinke om dagen og mane-ikonet på myggfellen vil blinke om natten. Viften i myggfellen vil fortsatt å gå, men med redusert hastighet. Ingen mygg vil derfor kunne flykte, men fellen vil heller ikke kunne fange flere mygg i løpet av denne tidsperioden.



## Kald temperaturindikator

Fellen har en temperaturføler som kan brukes til å sette fellen i ventemodus automatisk når både utelufttemperaturen og felletemperaturen er under et settpunkt valgt av brukeren. Forskning har vist at det er svært liten myggaktivitet når lufttemperaturen faller under 10 °C (50 °F). Enkelte steder og for noen myggarter kan imidlertid aktiviteten fortsette ved temperaturer under 10 °C (50 °F). Fellen har et nedstengningspunkt for lav temperatur, som kan velges av brukeren fra 10 °C (50 °F) og nedover, i trinn på 2,8 °C (5 °F) til en minimumstemperatur på -1 °C (30 °F). Standardinnstillingen på fellen er ingen nedstengning ved lav temperatur. For å få tilgang til parameterne for nedstengning ved lav temperatur trykker og holder du inne modusknappen i minst 3 sekunder til menyen for nedstengning ved lav temperatur vises. Bla gjennom temperaturvalgene ved å trykke på modusknappen, fra Av (blank) og deretter til 30, 35, 40, 45 og 50 (°F). Hvis du fortsetter å trykke på modusknappen etter 50, kommer du tilbake til Av (blank) og gjentar deretter syklusen. Når en temperatur er valgt, slutter du å trykke på modusknappen, venter i ca. 3 sekunder, og så blir temperaturvalget automatisk lagret. Hvis fellen kjører (ordet RUN (Kjør) vises og den grønne LED-lampen er på) og verdien for nedstengning ved lav temperatur er valgt, vil fellen slås av når lufttemperaturen og felletemperaturen har falt under settpunktet. Når fellen er i modus for nedstengning ved lav temperatur, vil ordet COOL (kald) og termometerikonet blinke. Fellen vil starte på nytt når temperaturføleren indikerer at lufttemperaturen og felletemperaturen er ca. 2,8 °C (5 °F) over den valgte verdien for nedstengning ved lav temperatur. Hvis fellen er i oppvarmingsmodus når temperaturen faller under det valgte settpunktet, vil den slås av, men den vil ikke startes igjen automatisk.



## Advarsel om lite batteri

Batteri-ikonet og ATTENTION vil blinke hvis det blir nødvendig å lade opp batteriet.

## Barnesikring

For å aktivere barnesikringen må du holde ON/OFF-knappen (AV/PÅ) inne i 3 hele sekunder.



# MOSQUITO MAGNET®

# Vedlikehold

## ***Vedlikehold***






---

Hvis du bruker en av de drivstoffsparende innstillingene må du huske å justere datoene i diagrammet under (se diagram på side 10n for å koordinere vedlikeholdsrutine med bruksinnstilling).

- **21 dagers vedlikeholdsplan - gir best resultat**
- Fyll på propan. Propanflaske på 20 lb (9,07 kg) varer i ca 21 dager hvis apparatet står på hele tiden.
- Skift luktestoff hver gang du bytter gasstank, ca hver 21 dag. Les bruksanvisningen på pakken.
- Tøm eller skift insektposen.
- Rengjør utsiden av myggfelle en gang imellom med en ren og fuktig klut.
- Pass på at batteriet er oppladet.



# Feilsøking

Problem	Mulig årsak	Løsninger
<p><b>Fellen starter ikke</b> <b>Fellen går ikke kontmuerhg</b></p> <p>LCD </p> <p><b>LED-- Det røde LED-lyset blinker av og på i syv sekunder</b></p>	<ol style="list-style-type: none"> <li>1. Propanflasken kan vane tom.</li> <li>2. Hvis propanflasken er helt ny, og den nettopp har blitt fylt med propan, må den luftes.</li> <li>3. En kobling kan vane løs.</li> <li>4. Drivstoffslangen kan vrere tilstoppet med smuss fra propanen.</li> <li>5. Regulatoren sitter ikke godt nok på.</li> <li>6. Insektposen kan vrere full eller tilstoppet.</li> </ol>	<ol style="list-style-type: none"> <li>1. Se hvor mye flasken veier og sammenlign den vekten med vekten på en tom flaske.</li> <li>2. Ta flasken med til en fyllstasjon. Det kan hende at det er luft i drivstoffslangen, så be om at flasken blir luftet.</li> <li>3. Kontroller alle koblinger. Se til at ventilen på propanflasken er helt åpen.</li> <li>4. Skift insektposen</li> </ol>
<p><b>Fellen går ikke kontmuerhg</b></p> <p>LCD </p> <p><b>LED- Det røde/oransje LED-lyset blinker av og på i 7 sekunder</b></p>	<ol style="list-style-type: none"> <li>1. Lite batteri.</li> </ol>	<ol style="list-style-type: none"> <li>1. Lad opp batteriet før du bruker det for første gang, og ved hver sesongstart. LED-lyset for lading vil lyse grønt når batteriet er fulladet.</li> <li>2. Kontroller batterikoblinger; se til at det sitter godt på plass og at det er låst.</li> <li>3. Hvis et fulladet batteri indikerer lite batteristrøm, må du lade opp eller bytte batteri.</li> </ol>
<p><b>Fellen slår seg av</b></p> <p>LCD </p> <p><b>LED- Det røde/oransje LED-lyset blinker av og på i 7 sekunder</b></p>	<ol style="list-style-type: none"> <li>1. Høy temperatur.</li> </ol>	<ol style="list-style-type: none"> <li>1. Slå av fellen og la den kjøle seg ned i en time, deretter starter du den på nytt.</li> </ol>
<p><b>Fellen slår seg av</b></p> <p>LCD  </p> <p><b>LED- Det røde LED-lyset dobbeltblinker av og på i 7 sekunder</b></p>	<ol style="list-style-type: none"> <li>1. Termistorfeil.</li> </ol>	<ol style="list-style-type: none"> <li>1. Ta kontakt med din serviceforhandler.</li> </ol>
<p><b>Fellen slår seg av</b> <b>LED- Det røde LED-lyset lyser knotinuerli</b></p>	<ol style="list-style-type: none"> <li>1. Elektrisk feil.</li> </ol>	<ol style="list-style-type: none"> <li>1. Ta kontakt med din serviceforhandler.</li> </ol>
<p><b>Lite eller ingen mygg i fellen</b></p>	<ol style="list-style-type: none"> <li>1. Kanskje det er for tidlig for insektene.</li> <li>2. Myggfellen er plassert feil.</li> <li>3. Myggens formeringssyklus har ikke blitt forstyrret/avbrutt enda.</li> <li>4. Motstrømmen kan være blokkert.</li> </ol>	<ol style="list-style-type: none"> <li>1. Pass på at temperaturen er over 10 °C hele tiden.</li> <li>2. Følg punktene i brukerhåndboken for "plassering av myggfellen".</li> <li>3. Myggfellen må gå 24 timer hver dag hele uken i minst 4 uker for at myggbestanden skal bli red use rt.</li> <li>4. Lufstrømmen kan vrere blokkert. Ta kontakt med din serviceforhandler.</li> </ol>



**MOSQUITO MAGNET®**



# Brugsanvisning



**MOSQUITO MAGNET®**



**CAUTION** - The appliance is not to be used by persons (including children) with reduced physical, sensory or mental capabilities, or lack of experience and knowledge, unless they have been given supervision or instruction - children being supervised not to play with the appliance.



The symbol on the product or its packaging indicates that this product must not be disposed of with your other household waste. Instead, it is your responsibility to dispose of your waste equipment by handing it over to a designated collection point for the recycling of waste electrical and electronic equipment. The separate collection and recycling of your waste equipment at the time of disposal will help conserve natural resources and ensure that it is recycled in a manner that protects human health and the environment. For more information about where you can drop off your waste for recycling, please contact your local authority, or where you purchased your product.



**MERK** - Apparatet skal ikke brukes av personer (inkludert barn) med reduserte fysiske, sensoriske eller mentale evner, eller mangel på erfaring og kunnskap, med mindre de er under tilsyn eller blir instruert. Barn under tilsyn skal ikke leke med apparatet.



Symbolet på produktet eller emballasjen indikerer at produktet ikke må kastes sammen med annet husholdningsavfall. Det er ditt ansvar å avhende utstyret ved å levere det til et egnet innsamlingssted for resirkulering av elektrisk og elektronisk utstyr. Separat innsamling og gjenvinning av kassert utstyr på tidspunktet for avhending vil bidra til å bevare naturressursene og sikre at det resirkuleres på en måte som ivaretar helse og miljø. For mer informasjon om hvor du kan levere avfall til gjenvinning, kan du kontakte lokale myndigheter eller der du kjøpte produktet.



**HUOMIO** – Henkilöiden (mukaan lukien lapset), joiden fyysinen, henkinen tai aistikapasiteetti on heikentynyt tai joilla ei ole tarvittavaa kokemusta tai tarvittavia tietoja, ei tule käyttää tätä laitetta, ellei heitä valvota tai ellei heitä ole opastettu sen käytössä. Lapsia tulee vahtia, etteivät he leiki laitteen kanssa.



Tuotteessa tai sen pakkauksessa oleva merkintä tarkoittaa, ettei tätä tuotetta saa hävittää kotitalousjätteen mukana. Sen sijaan on sinun vastuullasi, että hävität käytetyn laitteen viemällä sen elektronisille ja sähkölaitteille tarkoitettuun keräyspisteeseen kierrätystä varten. Käytetyn laitteen hävittäminen erikseen kierrättämällä auttaa säilyttämään luonnonvaroja ja varmistamaan, että laite kierrätetään ihmisten terveyttä ja ympäristöä suojelevalla tavalla. Lisätietoja siitä, mihin voit viedä kierrätysjätteet, saat ottamalla yhteyttä paikallisiin viranomaisiin tai tuotteen myyntipaikkaan.



**VAR FÖRSIKTIG!** Anordningen får inte användas av personer (inklusive barn) med nedsatt fysisk, sensorisk eller mental förmåga eller som saknar erfarenhet eller kunskap, förutom när de övervakas eller instrueras. Man måste även säkerställa att barn inte leker med anordningen.



Symbolen på produkten eller på dess förpackning anger att produkten inte får slängas med hushållsavfall. Det åligger dig istället att kassera anordningen genom att ta den till en designerad insamlingspunkt för återvinning av kasserad elektrisk och elektronisk utrustning. Den separata insamlingen och återvinningen av din kasserade utrustning bidrar till att skydda naturresurser och säkerställa att den återvinns på ett sätt som skyddar människors hälsa och miljön. För mer information om vart du kan ta ditt avfall för återvinning ska du kontakta lokala myndigheter eller platsen där du köpte produkten.



**ВНИМАНИЕ** – Настоящим прибором нельзя пользоваться лицам (включая детей) с ограниченными физическими возможностями, характеристиками сенсорной системы и умственными способностями; лицам, не обладающим достаточным опытом или знаниями, или не получившим необходимых инструкций или подготовки; необходимо следить за тем, чтобы дети не играли с настоящим прибором.



Знак на этом приборе или на его упаковке указывает на то, что настоящий прибор нельзя выбрасывать с бытовым мусором. Вместо этого, Вы обязаны утилизировать использованный прибор, оставив его в соответствующем пункте сбора утильсырья и отходов производства электрического и электронного оборудования. Сбор и утилизация Вашего использованного оборудования поможет в сохранении природных ресурсов, в защите здоровья людей и окружающей среды. За дополнительной информацией о том, куда можно принести использованный прибор для утилизации, обращайтесь в местные органы власти или в место приобретения прибора.





**ATTENZIONE** - Questo apparecchio non deve essere utilizzato da persone (bambini inclusi) con ridotte capacità fisiche, sensoriali o mentali, o persone che non abbiano adeguata esperienza o conoscenza, a meno che non siano sotto stretta sorveglianza o siano state adeguatamente istruite circa l'uso dell'apparecchio stesso. I bambini sotto la supervisione di un adulto non devono giocare con questo apparecchio.



Il simbolo sul prodotto o sull'imballaggio indica che questo apparecchio non può e non deve essere smaltito con altri rifiuti domestici. Pertanto, è vostra responsabilità consegnare questo prodotto da smaltire ad un ente specializzato nel riciclaggio di materiale elettrico ed elettronico. La raccolta differenziata e il riciclaggio di tali rifiuti nel momento dello smaltimento aiuteranno a preservare le risorse naturali e garantiranno un riciclaggio adatto a proteggere il benessere dell'uomo e dell'ambiente. Per ulteriori informazioni su dove poter smaltire i rifiuti riciclabili, si prega di contattare l'autorità locale pertinente, o il punto vendita dove si è acquistato il prodotto.



**MISE EN GARDE** – Cet appareil ne doit pas être utilisé par des personnes (y compris des enfants) dont les capacités physiques, sensorielles ou mentales sont réduites ou qui ne possèdent pas l'expérience et les connaissances requises, sauf s'ils sont supervisés ou reçoivent les instructions; les enfants, même supervisés, ne doivent pas jouer avec l'appareil.



Le symbole apposé sur le produit ou son emballage indique qu'il ne doit pas être mis au rebut avec les déchets ménagers. Il vous incombe de mettre au rebut votre équipement usagé en l'apportant à un point de collecte désigné pour le recyclage de l'équipement électrique et électronique. La collecte et le recyclage séparés de votre équipement usagé au moment de la mise au rebut permettra de préserver les ressources naturelles et de s'assurer qu'il est recyclé d'une manière qui protège la santé humaine et l'environnement. Pour de plus amples renseignements sur l'endroit où vous pouvez déposer les déchets à recycler, veuillez vous adresser aux autorités locales ou au magasin où vous avez acheté le produit.



**PRECAUCIÓN:** el aparato no debe ser utilizado por personas (incluidos niños) que tengan su capacidad física, sensorial o mental disminuida, o falta de experiencia y conocimientos, a menos que cuenten con supervisión o instrucciones (los niños deben ser supervisados para que no jueguen con el electrodoméstico).



El símbolo que aparece en el producto o el embalaje indica que este producto no debe desecharse como si fuese cualquier otro producto desechable de su hogar. En su lugar, usted es responsable de desechar el aparato depositándolo en uno de los puntos de recogida designados para reciclaje de productos eléctricos o electrónicos. Al separar y reciclar su equipo desechable de este manera, ayudará a conservar los recursos naturales y a asegurarse de que el reciclaje se realice de tal modo que proteja la salud humana y el medioambiente. Para más información sobre dónde depositar el producto desechable para su reciclaje, póngase en contacto con las autoridades de su localidad, o con el establecimiento donde adquirió el producto.



**CUIDADO** - O aparelho não deverá ser usado por pessoas (incluindo crianças) com reduzidas capacidades físicas, sensoriais nem mentais, nem com falta de experiência ou de conhecimentos, a não ser que lhes tenham sido dada instrução ou supervisão - deverá haver vigilância para que as crianças não brinquem com o aparelho.



O símbolo no produto ou na sua embalagem indica que este produto não deverá ser descartado com outros lixos caseiros. Em vez disso, será da sua responsabilidade eliminar o seu equipamento descartado entregando-o num local de recolha de equipamentos eléctricos e electrónicos descartados para serem reciclados. A recolha separada e a reciclagem dos seus equipamentos descartados na ocasião da sua eliminação ajudarão a conservar os recursos naturais e a assegurar que eles sejam reciclados de uma maneira que proteja a saúde humana e o ambiente. Para obter mais informações sobre onde poderá entregar os seus lixos para reciclagem, por favor contacte as suas autoridades locais ou o local onde comprou o seu produto.



**ADVARSEL** - Apparatet må ikke anvendes af personer (herunder børn) med nedsatte fysiske, sensoriske eller mentale evner eller manglende erfaring og viden, medmindre de er blevet vejledt eller instrueret – børn, også dem, der er under opsyn, må ikke lege med apparatet.



Symbolet på produktet eller emballagen angiver, at dette produkt ikke må bortskaffes sammen med andet husholdningsaffald. I stedet er det dit ansvar at bortskaffe det brugte udstyr ved at aflevere det på et angivet indsamlingssted for genbrug af kasseret elektrisk og elektronisk udstyr. Denne særskilte indsamling og genbrug af dit kasserede udstyr på tidspunktet for bortskaffelsen hjælper med at bevare naturens ressourcer og sikrer, at udstyret genbruges på en måde, der beskytter menneskers helbred og miljøet. For mere information om, hvor du kan aflevere dit affald til genbrug, bedes du kontakte din kommune eller det sted, hvor du købte produktet.

## Jumbo Low Pressure Regulators IGIT Type A235 CE-0845

## Asennus- ja käyttöohjeet

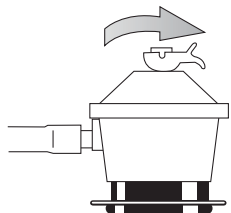
## Turvallisuusohjeita

Ennen paineensäätimen asennusta nestekaasusäiliöön:

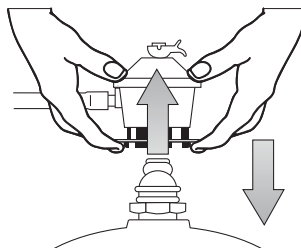
- Säädin on suunniteltu käytettäväksi propaanin, butaanin ja näiden kaasujen seoksen kanssa.
- Moitteettoman toiminnan varmistamiseksi suositellaan, että säädin normaaleissa käyttöolosuhteissa vaihdetaan 10 vuoden sisällä valmistuspäivästä.
- Jos laitetta käytetään ulkona, se pitää suojata tippuvalta ja valuvalta vedettä.
- Säätimen asennuksessa venttiin ei tarvita työkaluja.
- Varmista, että venttiin sinetti on ehjä.
- Älä silrä kaasupulloa käytön aikana.
- Noudata paikallisia ohjeita ja määräyksiä.
- Varmista, että kalkki hanat ja lalteet on suljettu.
- Varmista nestekaasusäiliötä valtaessasi, ettei läheisyydessä ole avotulta.
- Pidä nestekaasusäiliö aina pystyasennossa.
- Varmista, että joustava kaasuletku on ehjä ja että se on korkeintaan 3 vuotta vanha.

## Paineensäätimen asentaminen

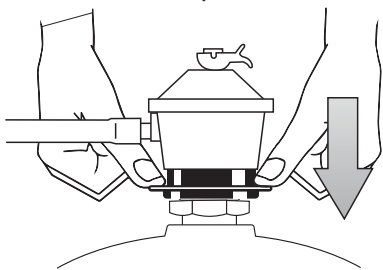
1. Sulje hana ennen kuin kytät paineensäätimen nestekaasusäiliöön. (Liekin kuva alaspäin, vipu pois päin letkuliitännästä.)



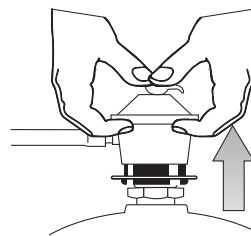
2. Tartu paineensäätimeen molemmilla käsillä. Nosta lukitusrengasta ja paina paineensäädin kiinni nestekaasusäiliön venttiin.



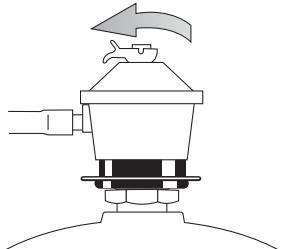
3. Paina lukitusrengasta voimalla alaspäin. Siitä pitää kuulua kuuluva napsahdus.



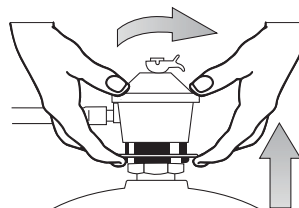
4. Varmista, että paineensäädin on kunnolla kiinni venttiinissä. Tarkasta kiinnitys vetämällä paineensäätimestä. Jos paineensäädin irtoaa venttiinistä, asenna se uudelleen.



5. Avaa paineensäätimen hana kääntämällä vipu avattuun asentoon. (Liekin kuva näkyvissä, vipu letkuliitännän puolella.) Käännä vipu aina käytön jälkeen suljettuun asentoon.



6. Paineensäätimen irrotus kaasusäiliön venttiinistä: käännä vipu suljettuun asentoon, nosta lukitusrengasta ja vedä paineensäädin irti venttiinistä



# Nedlukning ved kølige temperaturer

Fælden har en temperatursensor, der kan anvendes til automatisk at sætte fælden i standbytilstand, når udetemperaturen og fældetemperaturen begge er under en indstillingsværdi, som kan **vælges af brugeren**. Forskning har vist, at der er meget lidt myggeaktivitet, når lufttemperaturen falder til under 10 °C (50 °F). Men nogle steder og med nogle myggearter kan aktiviteten fortsætte ved temperaturer under 10 °C (50 °F). Fælden har en nedlukningsværdi for kølige temperaturer, der kan **vælges af brugeren**, som starter ved 10 °C (50 °F) og går nedad i trin på 2,8 °C (5 °F) til **en minimumstemperatur på -1 °C (30 °F)**. Standardindstillingen for fælden er ingen nedlukning ved kølige temperaturer.

For at gå ind i parametrene for nedlukning ved kølige temperaturer skal man trykke vedvarende på knappen Mode (tilstand) i mindst 3 sekunder, indtil menuen for nedlukning ved kølige temperaturer kommer frem. Løb gennem temperaturvalgene ved at trykke på knappen Mode (tilstand) fra og med slukket tilstand (tomt display) og derefter til -1, 1,7, 4,4, 7,2 og 10 °C (30, 35, 40, 45 og 50 °F). Hvis man bliver ved med at løbe gennem valgene efter 10 °C (50 °F), vil man vende tilbage til slukket tilstand (tomt display) og derefter gentage cyklussen. Når temperaturen er valgt, skal man stoppe med at trykke på knappen Mode (tilstand) og vente i 3 sekunder; derefter vil temperaturvalget automatisk blive gemt.

Hvis fælden kører (ordet RUN (KØR) ses, og den grønne lysdiode er tændt), og en nedlukningsværdi ved kølige temperaturer er valgt, vil fælden lukke ned, når lufttemperaturen og fældetemperaturen er faldet til under indstillingsværdien. Når fælden er i tilstanden for nedlukning ved kølige temperaturer, vil ordet COOL (KØLIG) og termometerikonet blinke. Fælden genstarter, når temperatursensoren angiver, at lufttemperaturen og fældetemperaturen er **cirka 2,8 °C (5 °F) over den valgte nedlukningsværdi for kølige temperaturer**.

Hvis fælden er i opvarmningstilstand, når temperaturen falder til under den valgte indstillingsværdi, vil den slukke, **men den vil ikke genstarte automatisk**.

Besøg os online på [www.mosquitomagnet.com](http://www.mosquitomagnet.com) for yderligere oplysninger om tips og anbefalinger vedrørende Mosquito Magnet

Woodstream Corporation  
69 North Locust Street  
Lititz, PA 17543  
USA  
[www.mosquitomagnet.com](http://www.mosquitomagnet.com)

# Velkommen

Tillykke med dit køb af Mosquito Magnet®. Nu kan du begynde at nyde dine udendørsområder igen.

Mosquito Magnet er den førende myggefælde i Nordamerika. Efter 18 års udvikling og uafhængig afprøvning er det blevet videnskabeligt påvist, at Mosquito Magnet er et effektivt middel til at mindske forekomsten af myg og andre stikkende insekter fra din have.

Mosquito Magnet er nem at bruge. I denne anvisning vil du lære alt, hvad du behøver, om hvordan den virker, den bedste placering, vedligeholdelse, opbevaring og garantioplysninger. Nøglen til succes er fældens placering, anvendelse af R-Octenol eller Lurex3 patroner (afhængigt af dit område) og rutinemæssig vedligeholdelse. For den bedste fangst skal du skifte gasflasken og R-Octenol- eller Lurex3-patronen hver tre uger.

Besøg os på [www.mosquitomagnet.com](http://www.mosquitomagnet.com) for yderligere oplysninger om Mosquito Magnet tips og anbefalinger.

## **Woodstream® Corporation**

69 North Locust Street  
Lititz, PA 17543  
1-800-953-5737  
[www.mosquitomagnet.com](http://www.mosquitomagnet.com)

### Patenter:

Danmark: Nr. 1432304  
Finland: Nr. 1432304  
Frankrig: Nr. 1,537,780; 1,011,324; 1,049,373 og 1,432,304  
Tyskland: Nr. 1011324; 1049373 og 60211538.8  
Grækenland: Nr. 1011324 og 1432304  
Indien: Nr. 228997  
Irland: Nr. 1011324 og 1432304  
Italien: Nr. 1,537,780; 1,011,324; 1,049,373 og 1,432,304  
Japan: Nr. 4317748  
Portugal: Nr. 1011324 og 1432304  
Spanien: Nr. 1,537,780; 1,011,324 og 1,432,304  
Sverige: Nr. 1,537,780 og 1,432,304  
UK: Nr. 1,537,780; 1,011,324; 1,049,373 og 1,432,304  
Australien: Nr. 726575; 735984; 2002356537 og 2012202864  
New Zealand: Nr. 335035 og 506403  
Singapore: Nr. 64595  
Sydafrika: Nr. 97/8366  
Kina: Nr. ZL0281957.X og ZL03812961.2  
Brasilien: Nr. 9711492-8; 9908104-0 og PI0508967-0  
Mexico: Nr. 250272

Andre patenter anmeldt

Fremstillet i Kina

## **FOR DIN SIKKERHED**

### **Hvis du lugter gas:**

1. Sluk af for gassen til apparatet.
2. Sluk enhver åben flamme.
3. Åbn tåget.
4. Hvis der fortsat er gaslugt skal du omgående ringe til din gasleverandør eller brandæmsnet.

## **FOR DIN SIKKERHED**

1. Der må ikke opbevares eller bruges benzin eller andre brændbare væsker eller dampe i nærheden af dette eller lignende apparater.
2. En propangasflaske, som ikke er tilsluttet, må ikke opbevares i nærheden af dette eller andre apparater.



# MOSQUITO MAGNET®

# Innhold

<b>Sikkerhedsanvisninger</b>	<b>3d-4d</b>
<b>Primære bestanddele</b>	<b>5d</b>
<b>Anvisninger for samling</b>	<b>6d</b>
Samling at tælden	
Montering at insektposen	
<b>Opstilling</b>	<b>7d-8d</b>
Opladningsanvisninger	
Place ring at fælden	
Montering at propangasflasken	
<b>Anvisninger</b>	<b>9d</b>
Anvisninger for opstart	
Anvisninger for slukning	
Når apparatet ikke er i brug	
Opbevaring ved enden at sæsonen	
For det bedste resultat	
<b>Smart teknologi</b>	<b>10d</b>
Indstilling at brændstotbesparende indstillinger	
Slukning ved kolde temperaturer	
Lavt batteri-advarsel	
Børnesikringskontrol	
<b>Vedligeholdelse</b>	<b>11d</b>
Vedligeholdelse	
Tips for udskiftning at propangasflasken	
Vedligeholdelsesplan	
<b>Fejlfinding</b>	<b>12d</b>
Lysdiode-fejlkoder	

## Spørgsmål eller kommentarer

Woodstream® Corporation  
69 North Locust Street  
Lititz, PA 17543  
USA  
[http://www.mosquitomagnet.com/store\\_locator/International/](http://www.mosquitomagnet.com/store_locator/International/)

<b>Modelnr:</b>	Executive
<b>Serienr:</b>	
<b>Gasttype:</b>	Propangas
<b>Manifoldtryk: Minimalt gasforsyn- ingstryk:</b>	100 – 110 psi (6,90-7,58 bar)
<b>Ydelse:</b>	759 Btu/time
<b>Minimale afstande:</b>	51 - 61 cm



## Hvordan Mosquito Magnet® virker

Myg og andre stikkende insekter finder folk vha. kuldioxid (CO<sub>2</sub>) som langtrækkende tiltrækningsmiddel. Når de er på nært hold, bruger myg mere korttrækkende tiltrækningsmidler, som udsendes at huden, til at bestemme, hvilken person de vil stikke. Mosquito Magnet efterligner mennesker ved at omdanne propangas til CO<sub>2</sub> med en patentbeskyttet katalysator-teknologi i kombination med et korttrækkende tiltrækningsmiddel.

Myg og andre stikkende småinsekter tiltrekkes til Mosquito Magnet at CO<sub>2</sub> og det korttrækkende tiltrækningsmiddel. Når insekterne når fælden, bliver de suget ind i insektposen vha. vores patentbeskyttede Counterflow Technology™, hvor de dehydreres og dør ind en for et døgn.

Mosquito Magnet er lydløs og lugtløs. Når tælden placeres rigtigt i din have **begynder den at virke omgående. Manser mærkbare resultater i løbet af 7-10 dage.** Det tag er 4 uger at mindske antallet at nærværende stikkende insekter markant Lad Mosquito Magnet gå udenfor hele sommeren for at kontrollere myggene i din have.

Fælden tager kun stikkende småinsekter, deriblandt myg, mitter, kvægmyg og dansemyg. Ønskværdige insekter såsom sommerfugle, bier og natsværmere tanges ikke.



# MOSQUITO MAGNET®

# Sikkerhedsanvisninger

**Læs og følg venligst alle sikkerhedsanvisninger og advarsler.**

Både børn og voksne skal gøres opmærksomme på farerne ved høje overfladetemperaturer og skal holde sig væk for at undgå forbrændinger og brændt tøj.

Småbørn skal holdes godt under opsyn, når de befinder sig i nærheden af varmeapparatet. Hold uden for børns rækkevidde.

Tøj og andet brændbart materiale må ikke hænges på varmeapparatet, eller placeres i nærheden deraf.

**Bemærk:** Nogle eller alle de følgende sikkerhedsanvisninger for propangasdrevent udstyr kan angå fælden. Lad fælden afkøles i 5 minutter, før den startes igen.

**⚠ Advarsel:** Forkert installering, justering, modifikation, service eller vedligeholdelse kan forårsage personskade og materielle tab. Læs installations-, drifts- og vedligeholdelsesanvisningerne omhyggeligt før installation eller servicearbejde på fælden.

**⚠ Forsigtig:** Det er nødvendigt at bruge den gastyksregulator, som leveres med dette apparat. Denne regulator er indstillet til et udgangstryk på 28 cm vandsøjle. Det minimale indgangstryk er 28 cm vandsøjle fra regulatoren.

- Denne enhed er ikke beregnet til at blive installeret i en campingvogn eller på en båd.
- Gasforsyningen skal lukkes af ved LP-gasflasken, når dette apparat ikke er i brug.
- Installationen skal overholde lokale, nationale og EU-vedtægter og det anbefales iøvrigt at den er i overensstemmelse med den amerikanske National Fuel Gas Code, ANSI Z223. 1-1998.
- For at søge efter en gaslækage skal man sprøjte sæbevand omkring konnektoren, regulatoren og gasslangens ender. Hvis der kommer bobler, er der en lækage.
- Undersøg slangens ender hver gang, før apparatet bruges. Hvis der er tegn på megen slid eller gnaven, eller hvis slangen er blevet skåret, skal den udskiftes, for apparatet tages i brug igen. Slangen, som man bruger til udskiftning skal være den, som fabrikanten har specificeret.
- Fælden er udstyret med en intern gnisttænder. Hvis man ikke følger opstartanvisningerne, vil fælden ikke starte rigtigt.
- Installering og reparation skal foretages af en kvalificeret servicetekniker (find servicecentre på [www.mosquitomagnet.com](http://www.mosquitomagnet.com)). Varmeapparatet skal efterses før brug og mindst én gang om året af en kvalificeret servicetekniker. Hyppigere rengøring kan somme tider være påkrævet. Det er absolut nødvendigt af kontrolrummet, brænderne og varmeapparatets luftcirkulationsudstyr holdes rene.



# Sikkerhedsanvisninger

- Oprethold passende afstande på 51-61 cm omkring luftåbninger til forbrændingskammeret, afstand til brændbart materiale, planlæg for god adgang til apparatet og for god luftforsyning og afluftning. Hold området omkring fælden frit for brændbart materiale, benzin og andre brændbare væsker eller dampe. Apparatet må ikke bruges i områder, hvor der forekommer brændbare dampe eller eksplosionsfarligt støv.
- Cirkulation af forbrændingsluftforsyningen og -afluftningen må ikke hindres.
- Hold alle ventilationsåbninger rene og fri for alt fremmedmateriale.
- Rengøring af fælden foretages med en klud fugtet med vand, når det er nødvendigt.
- LP-gasflasken ska I have en aflukningsventil med en tilslutningsfitting som er tilpasset den fitting, som den skal skrues sammen med, og som opfylder de krav der stilles til den af både danske og EU-standarder.
- LP-gasflaskens forsyningssystem ska I være arrangeret med henblik på aftapning af gassen i dampform, og flasken skal have en krave, som beskytter ventilen.
- LP-gasflasken ska I være konstrueret og markeret i overensstemmelse med specifikationer for gasflasker som udstedt af danske og europæiske myndigheder.
- Fælden må kun anvendes udendørs i et godt ventileret område, og må ikke bruges i nogen bygning, garage eller andet indelukket område.
- LP-gasflasken ska I frakobles og fjernes fra apparatet, hvis dette skal opbevares indendørs.
- LP-gasflasker ska I opbevares udendørs i et godt ventileret område og utilgængeligt for børn.
- Frakoblede gasflasker ska I have en gevindskåret ventilprop forsvarligt monteret, og de må ikke opbevares i nogen bygning, garage eller andet lukket område.
- Den trykregulator med slange, som leveres sammen med dette apparat, ska I anvendes til tilslutning til LP-gasflasken. Hvis regulator og slange udskiftes, ska I det være med nye som specificeret af fabrikanten.
- Undgå forkert brug af forlængerledninger. Hold stikkene borte fra fugtighed og undgå at beskadige ledningen.
- Hvis forsyningsledningen er beskadiget, ska I den udskiftes af fabrikanten eller dennes servicerepresentant eller af en lignende kvalificeret person for at undgå fare.

***Eller besøg os på [www.mosquitomagnet.com](http://www.mosquitomagnet.com)***



**MOSQUITO MAGNET®**

# Primære bestanddele

Selvdrevet  
Executive

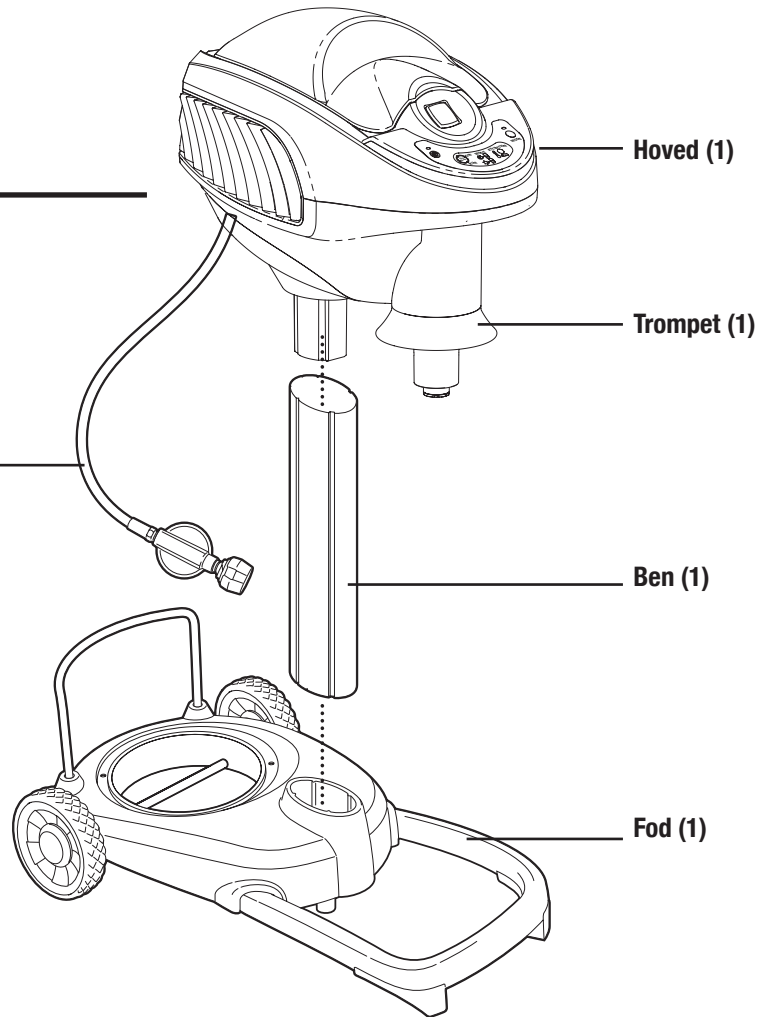
Regulatorslange (1)

Hoved (1)

Trompet (1)

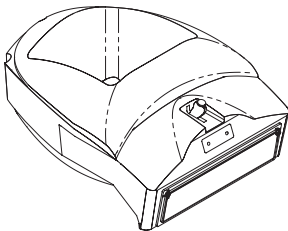
Ben (1)

Fod (1)

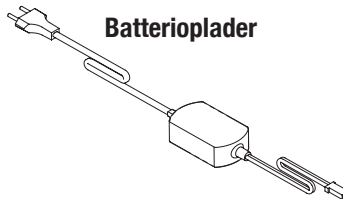


## Inkluderde dele

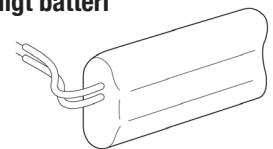
Insektpose



Batterioplader



Genopladeligt batteri

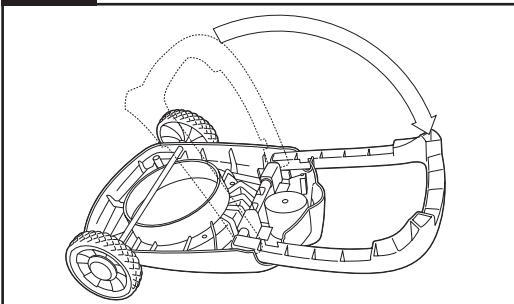




# Anvisninger for samling

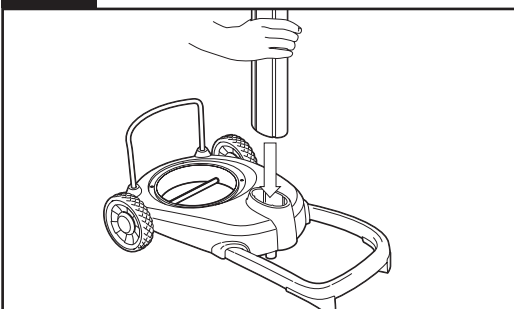
## Samling af fælden:

### Trin 1



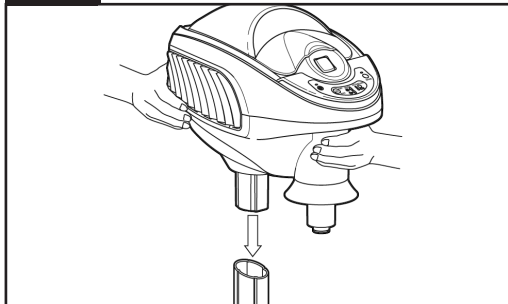
Placer foden med bunden i vejret på en flad overflade, og fold den U-formede støttefod udad, indtil den klikker på plads. place.

### Trin 2



Vend foden og placer benet i hullet på foden.

### Trin 3



Placer fældens hoved ovenpå benet. Tryk godt nedad med begge hænder for at få hovedet sat godt fast.

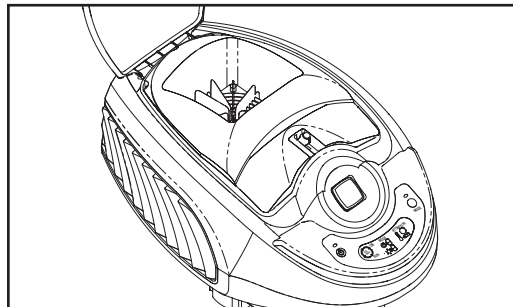
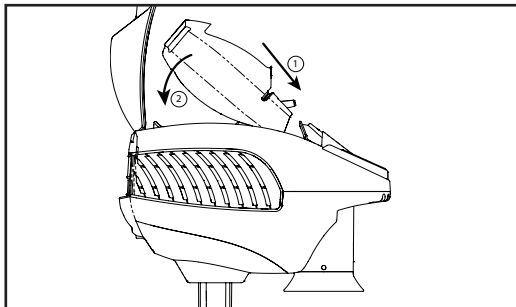
Den samlede fælde ska l have forenden af hovedet/trompeten placeret modsat hjulene ved samme ende som den U-formede støttefod.

### Trin 4

Batteriet er ikke fuldt opladet fra fabrikken. Batteriet skal oplades før første brug. Ved normal brug varer en opladning hele sæsonen. Se side 7d for yderligere detaljer.

## Montering af insektposen:

Sæt insektposen i ved først at placere den forreste åbne del, og dernæst forsigtigt skubbe bagenden på plads.



# MOSQUITO MAGNET®

# Opstilling

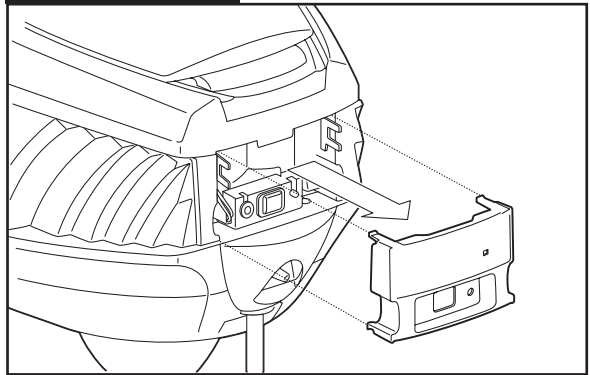
## Opladningsanvisninger

1. Tag dækpanelet af bagenden af hovedet (panelet klikkes løst). Tryk på batterilåsen og træk ud fætrelden for at frakoble. Fjern batteriet ved at trække nederenden op og svinge batteriet ud.
2. Batteriopladeren er ikke beregnet til udendørs brug. Batteriet skal oplades ind en døre.
3. Sæt batteriopladeren i en passende vægkontakt.
4. Tilslut det genopladelige batteri til batteriopladeren.
5. Lysdioden på batteriopladeren vil vise rødt, når batteriet er under opladning. Når batteriet er fuldt opladet, vil lysdioden vise grønt. Typisk opladningstid er under 2 timer.
6. Batteriopladeren virker automatisk. Den vil drosle opladningen ned til vedligeholdelsesniveau, når batteriet er tuld opladet. Den vil ikke overoplade batteriet. For maksimal levetid bør batteriet ikke efterlades i batteriopladeren i længere perioder.
7. Når batteriet er tuld opladet, tages batteriet fra opladeren og sættes tilbage i Mosquito Magnet Executive.
8. Sæt det opladelige batteri i, og tilslut det.
9. Sret dækpanelet på bagenden af hovedet igen.

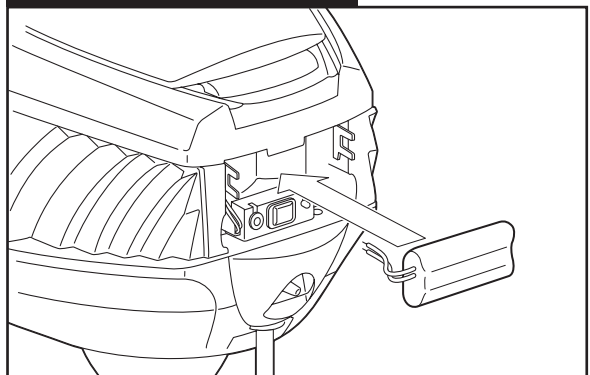
## Placering af fælden

1. Etabler den fremherskende vindretning. Undersøg lokale vindforhold, hvis du ikke er sikker.
2. Stå i midten af det område, du prøver at beskytte, og se i den retning, den fremherskende vind kommer fra.
3. Den korrekte placering af fælden vil være 10 meter foran dig, inden for 1,5 m fra en beplantning (f.eks. buske, blomster, træer, svampet område). Se efter, at fælden ikke kommer til at stå direkte op imod noget, der blokerer den, som f.eks. bygninger, stakitter mv.
4. Det anbefales, at fælden placeres i skygge.
5. Fælden må ikke placeres direkte over en vandings-sprinkler eller andre kilder til sprøjtendevand.
6. Fælden skal placeres på en vandret overflade, så man undgår at den vælter, eller uensartet propandistribution.
7. For bedste fælde placering i din værftet, henvises til instruktionsvideo på [www.mosquitomagnet.com/videos](http://www.mosquitomagnet.com/videos) til opbygge dit eget værft diagram for korrekt fælde placering.

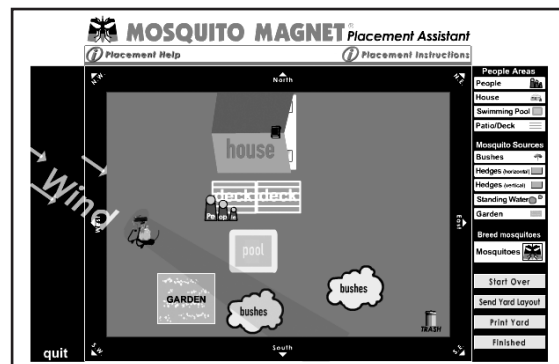
## Tag bagpanelet af



## Sæt batteriet i og tilslut det



**BEMÆRK:** Husk at sætte dækpanelet rigtigt på plads. Fælden er ikke vandtæt med panelet taget af.



# Opstilling

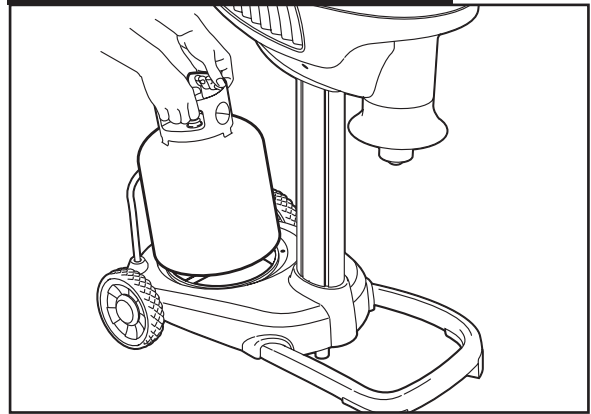
## Montering af propangasflasken

1. Efter at fælden er placeret på et ideelt sted, placeres propangasflasken på flaskeplatformen.
2. Se efter, at gasflasken er helt lukket af, sæt regulatorslangen på propanflasken. **Brug ikke værktøj.**
3. Skru langsomt op for gassen ved at dreje ventilhåndtaget mod uret. Vær forsigtig med ikke at åbne for hurtigt for at undgå, at sikkerhedsventilen aktiveres.

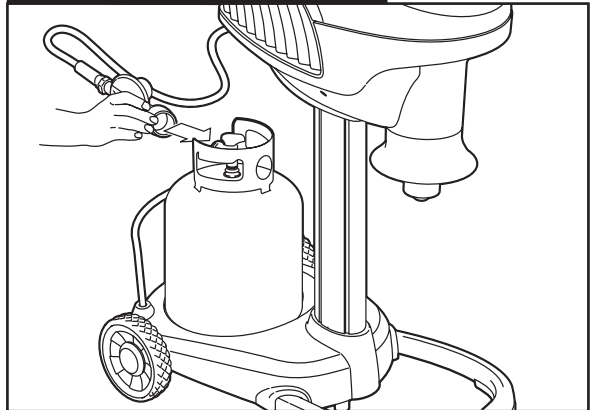
### **⚠ FLYT IKKE FIEWEN MED TANKEN TILSLUTTET!**

TANKEN SKAL KOBLES FRA REGULATOREN FØR MAN FLYTTER FÆLDEN FOR AT UNDGÅ BESKADIGELSE AF REGULATOREN OG/ELLER FÆLDEN. VÆR OPMÆRKSOM PÅ, AT BESKADIGELSE SOM RESULTERER AF IKKE AT FØLGE DENNE ANVISNING IKKE VIL VÆRE DÆKKET AF GARANTIE.

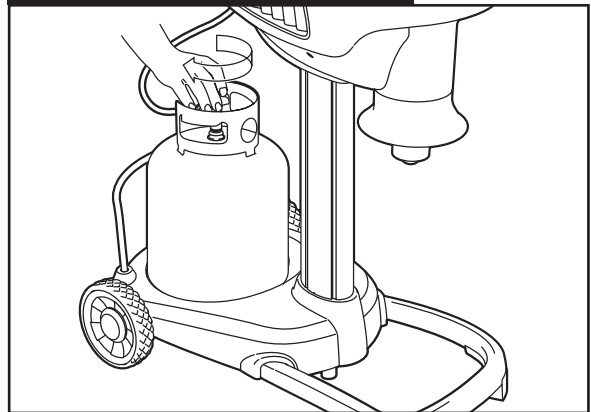
### Trin 1 - Placering af propangasflasken



### Trin 2 - Tilslutning af regulatoren



### Trin 3 - Luk langsomt op for ventilen



# MOSQUITO MAGNET®

# Anvisninger

**\*\*LÆS BRUGSANVISNINGEN FØR OU BEGYNDER\*\***

***Oplad batteriet iht. anvisningerne på side 7d. Ved normal brug varer batteriet hele sæsonen.***

## ***Anvisninger for opstart***

Det anbefales, at du læser hele brugsanvisningen før opstart af Mosquito Magnet® fælden.

1. Start fælden ved at trykke og holde på afbryderknappen (ON/OFF) i 3 sekunder, indtil den orange lysdiode tændes.
2. Der vil stå RUN (kør) på displayet. WARM (varme) og indikatorpilene vil også blinke på displayet. Lysdioden (indikatoren over afbryderknappen) vil være orange.
3. Ventilatoren vil skifte fra lav til høj hastighed efter ca. 3 minutter.
4. Displayet vil blinke WARM, og lysdioden vil være orange i ca. 15-25 minutter, mens fælden varmer op.
5. Efter fælden når driftstemperatur, vil lysdioden være grøn og WARM vil forsvinde fra displayet.

## ***Avisninger for slukning***

Sluk for fælden ved at trykke på afbryderknappen. Der vil stå RUN på displayet. COOL (afkøle) og indikatorpilene vil blinke på displayet. Lysdioden vil være grøn. Efter to minutters nedkøling vil ventilatoren standse, lysdioden vil slukkes, og der vil stå OFF (slukket) på displayet.

## ***Når apparatet ikke er i brug***

Når apparatet ikke er i brug, skal der lukkes for gassen ved gasflasken. Indendørs opbevaring af apparatet er kun tilladeligt, hvis gasflasken kobles fra og fjernes. Flasken skal opbevares udendørs, utilgængeligt for børn, og må ikke opbevares i nogen bygning, garage eller andet indelukket område.

## ***Opbevaring ved enden af sæsonen***

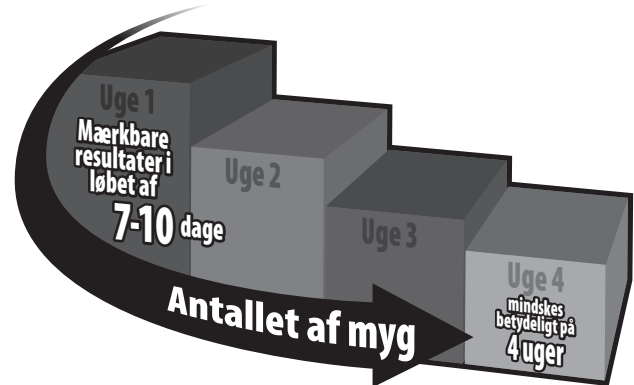
Se anvisningerne for slukning ovenfor, før du drejer at tar propanflaskens ventil og frakobler regulatoren. Luk for gasflaskens ventil, og kobl regulatoren fra. Batteriet skal også frakobles, men må ikke fjernes fra fælden.

Åbn Mosquito Magnet® R-Octenol eller Lurex3 patroner skal også tages ud og bortskaffes. Se patronernes mærkat for bortskaffningsanvisninger. Insektposen skal også bortskaffes, før fælden stilles til opbevaring.

**OPBEVARING:** Fælden skal opbevares indendørs i en garage eller et skur uden for sæsonen. Dæk trompeten til for at afholde insekter fra at bygge reder. Dæk enheden til med et dækket, eller med en presenning, og bind det stramt til nedentil for at holde støv, spindelvæv og andet fremmedmateriale ude.

**For bedste resultat skal maskinen køre døgnet rundt**

- Fælden begynder at fange insekter omgående, og man bør se en betydelig reduktion i antallet af myg efter 7-10 dage. Det tager 4 uger at reducere antallet af myg krattigt.



- Lad fælden afkøles i 5 minutter, før den startes igen.
- Sprøjt aldrig insektgitt i eller omkring fælden.
- Fælden kan blive gående i regnvej, men må ikke placeres direkte over en vandingssprinkler eller andre kilder til sprøjtende vand.
- Hvis du bruger kalk eller kunstgødning, skal du slukke for fælden først for at afholde støv eller fin spray fra at blive suget ind i fælden og tilstoppe insektposen.

**Advarsel:** Forkert installering, justering, modifikation, service eller vedligeholdelse kan forårsage personskade og materielle tab. Læs installations-, drifts- og vedligeholdelsesanvisningerne omhyggeligt før installation eller servicearbejde på dette udstyr.

**Forsigtig:** Det er nødvendigt at bruge den gastryksregulator, som leveres med dette apparat. Denne regulator er indstillet til et udgangstryk på 28 cm vandsøjle.

Gasforsyningen skal lukkes af ved LP-gasflasken, når dette apparat ikke er i brug.

### **ATTENTION! Lavt batteri-advarsel**

Batteriikonet og ATTENTION vil blinke, hvis batteriet har behov for genopladning.

### **Børnesikringskontrol**

Afbryderknappen (ON/OFF) skal holdes nede i 3 hele sekunder for at tænde for fælden.



# Smart teknologi

## Indstilling af brændstofbesparende indstillinger

Fælden har mulighed for at køre døgnet rundt eller i en af 4 brændstofbesparende indstillinger, som kan få propangasflasken til at vare længere. Flasken vil vare i mindst 21 dage, når fælden køres døgnet rundt, hvilket anbefales for den bedste fangst. Se skemaet nedenfor for det forventede gasforbrug, baseret på hvilken indstilling du bruger.

Drift ved brændstofbesparing	Tanken Varer*	Slukket, dagtimer	Slukket, nattetimer
Indstilling 1	22 dage	1 time	1 time
Indstilling 2	24 dage	2 timer	2 timer
Indstilling 3	27 dage	3 timer	3 timer
Indstilling 4	30 dage	4 timer	4 timer

\* Baseret på en 20 lb (9,07 kg) propangasflaske

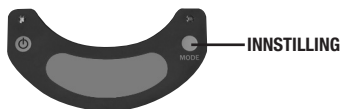
Den brændstofbesparende indstilling vil standse propanforbruget midt på dagen og midt om natten. Undersøgelser har vist, at myggene typisk er mindst aktive in den for disse tidsrum.

### Bemærk:

“Smart teknologi”-systemet indlærer automatisk døgnets cyklusser, når fælden er i brændstofbesparende indstilling. Dette system bruger en lysfølsom celle til at lade fælden lære og justere dødtiden baseret på forandringer i solop- og nedgange.

## Indstilling af brændstofbesparende indstillinger

1. Tryk på MODE-knappen (indstilling) for at vælge den gasbesparende indstilling.

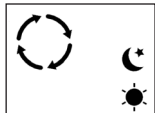


2. Hver gang man trykker på MODE-knappen vil denne rulle igennem 1, 2, 3, 4, slukket, 1, osv.



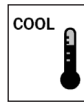
3. Indstilling 1 vil slukke for fælden i 1 time midt på dagen og 1 time midt om natten. Indstillingerne 2, 3 og 4 svarer på samme måde til 2, 3 eller 4 timer slukker.

4. Man kan se, når fælden er i brændstofbesparende indstilling ved at pilene vil blinke, og den grønne lysdiode er slukket. Desuden vil solikonet blinke om dagen, og måneikonet vil blinke om natten, når fælden er i brændstofbesparende indstilling. Ventilatoren i fælden vil fortsat gå, men ved mindsket hastighed for at afholde nogen myg fra at undslippe, men vil ikke fange nogen nye i disse tidsrum.



5. Hvis fælden er i brændstofbesparende indstilling, skal batteriet frakobles, og dernæst tilsluttes igen, hver gang gasflasken skiftes. Frakobling af batteriet er nødvendig for at nulstille brændstofbesparingstimeren.

## Slukning ved kolde temperaturer



Fælden har en temperatursensor, der kan anvendes til automatisk at sætte fælden i standbytilstand, når udetemperaturen og fældetemperaturen begge er under en indstillingsværdi, som kan vælges af brugeren. Forskning har vist, at der er meget lidt myggeaktivitet, når lufttemperaturen falder til under 10 °C (50 °F). Men nogle steder og med nogle myggearter kan aktiviteten fortsætte ved temperaturer under 10 °C (50 °F). Fælden har en nedlukningsværdi for kølige temperaturer, der kan vælges af brugeren, som starter ved 10 °C (50 °F) og går nedad i trin på 2,8 °C (5 °F) til en minimumstemperatur på -1 °C (30 °F). Standardindstillingen for fælden er ingen nedlukning ved kølige temperaturer.

For at gå ind i parametrene for nedlukning ved kølige temperaturer skal man trykke vedvarende på knappen Mode (tilstand) i mindst 3 sekunder, indtil menuen for nedlukning ved kølige temperaturer kommer frem. Løb gennem temperaturvalgene ved at trykke på knappen Mode (tilstand) fra og med slukket tilstand (tomt display) og derefter til -1, 1,7,4,4, 7,2 og 10 °C (30, 35,40,45 og 50 °F). Hvis man bliver ved med at løbe gennem valgene efter 10 °C (50 °F), vil man vende tilbage til slukket tilstand (tomt display) og derefter gentage cyklusen. Når temperaturen er valgt, skal man stoppe med at trykke på knappen Mode (tilstand) og vente i 3 sekunder; derefter vil temperaturvalget automatisk blive gemt.

Hvis fælden kører (ordet RUN (KØR) ses, og den grønne lysdiode er tændt), og en nedlukningsværdi ved kølige temperaturer er valgt, vil fælden lukke ned, når lufttemperaturen og fældetemperaturen er faldet til under indstillingsværdien. Når fælden er i tilstanden for nedlukning ved kølige temperaturer, vil ordet COOL (KØLIG) og termometerikonet blinke. Fælden genstarter, når temperatursensoren angiver, at lufttemperaturen og fældetemperaturen er cirka 2,8 °C (5 °F) over den valgte nedlukningsværdi for kølige temperaturer. Hvis fælden er i opvarmningstilstand, når temperaturen falder til under den valgte indstillingsværdi, vil den slukke, men den vil ikke genstarte automatisk.



# MOSQUITO MAGNET®

# Vedligeholdelse

## Vedligeholdelse

*Hvis du bruger en af vore brændstofbesparende indstillinger, skal du sikre, at du justerer datoerne på skemaet nedenfor (se skemaet på side 11d for at koordinere vedligeholdelsen med driftsindstillingen).*

- **21-dages vedligeholdelsesplan - for den bedste præstation**
  - Sæt fuld gasflaske på. Frelden bruger ca. 20 lb/9,07 kg propangas ved 21 dages drift.
  - Åbn Mosquito Magnet® R-Octenol eller Lurex3 patroner og tag dem ud og bortskaffes. Se patronernes mærkat for bortskaffelsesinstruktioner.
  - Tom eller udskift insektposen.
- Visk ydersiden af frelden af med en ren klud fugtet med vand.
- Lad apparatet oplades i 24 timer ved begyndelsen af hver sæson.


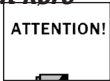



## Tips for udskiftning af propangasflasken

Vær sikker på at stramme regulatorfittingen godt til, når den sættes på flasken ved udskiftning. Det er ikke nødvendigt at bruge værktøj, men fittingen skal strammes godt til med hånden. Når dette er gjort, sæt låsen på en kvart omdrejning, og stram den igen for at opnå bedst mulig træning.

Dette gøres for at få regulatoren til at sidde så godt som muligt på flasken. Hvis regulatoren ikke er helt aktiveret, kan gastilstrømningen hænges så meget, at frelden vil give en tom flaske-kode. Hvis dette sker, sæt tryk på afbryderknappen, luk for flaskeventilen og tag regulatoren af flasken. Sæt regulatoren på igen, og prøv igen.



# Fejlfinding

Problem	Mulig årsag	Løsninger
<p><b>Enheden vil ikke starte</b> <b>Enheden vil ikke blive ved med at køre</b></p> <p>LCD </p> <p><b>LED-- rød lysdiode blinker med 7 sekunders mellemrum</b></p>	<ol style="list-style-type: none"> <li>1. Propanflasken kan være tom.</li> <li>2. Hvis propanflasken er ny og nylig er blevet fyldt, ska l den udrenses.</li> <li>3. Der kan vrere en løs forbindelse.</li> <li>4. Brændstofflinien kan være blokeret af kontaminanter i propanen.</li> <li>5. Regulatoren er ikke fuldstændigt aktiveret.</li> <li>6. Insektposen kan være fuld eller tilstoppet.</li> </ol>	<ol style="list-style-type: none"> <li>1. Vej flasken, og sammenlign med "tom" vægt.</li> <li>2. Bring flasken til en på fyldningsstation. Der kan være luft i brændstofflinien. Bed om at få flasken udrenset.</li> <li>3. Bekræft, at alle sammenføjninger er i orden. Se efter, at gasflaskens ventil er helt åben.</li> <li>4. Udskift insektposen.</li> </ol>
<p><b>Enheden vil ikke blive ved med at køre</b></p> <p>LCD </p> <p><b>LEO - lysdiode blinker rødt/orange med 7 sekunders mellemrum</b></p>	<ol style="list-style-type: none"> <li>1. Batteriernes spænding er lav.</li> </ol>	<ol style="list-style-type: none"> <li>1. Oplad batteriet for første brug og ved begyndelsen at hver sæson. Opladningslysdioden vil være grøn, når batteriet er fuldt opladet.</li> <li>2. Efterse batteritilslutningen. Se efter, at batteriet er sat helt ind og låst på plads.</li> <li>3. Hvis et fuldt opladet batteri angiver lav batterispænding i løbet af cyklussen, så genoplad eller udskift batteriet.</li> </ol>
<p><b>Enheden er standset</b></p> <p>LCD </p> <p><b>LED-lysdiode blinker rødt/grent med 7 sekunders mellemrum</b></p>	<ol style="list-style-type: none"> <li>1. Høj temperatur</li> </ol>	<ol style="list-style-type: none"> <li>1. Sluk for fælden, og lad den køle at i en time. Start den så igen</li> </ol>
<p><b>Enheden er standset</b></p> <p>LCD  </p> <p><b>LED- dobbelt blinkende rød lysdiode med 7 sekunilers mellemrum</b></p>	<ol style="list-style-type: none"> <li>1. Termistorproblem.</li> </ol>	<ol style="list-style-type: none"> <li>1. Henvend dig til din lokale serviceforhandler.</li> </ol>
<p><b>Enheden er standset</b> <b>LED- lysdiode solidt rød</b></p>	<ol style="list-style-type: none"> <li>1. Elektrisk problem.</li> </ol>	<ol style="list-style-type: none"> <li>1. Henvend dig til din lokale serviceforhandler.</li> </ol>
<p><b>Lille eller ingen fangst</b></p>	<ol style="list-style-type: none"> <li>1. Insekterne er muligvis ikke ude end nu.</li> <li>2. Placering at fælden.</li> <li>3. Stikkende insekters reproduktionscyklus er ikke brudt endnu.</li> <li>4. Counterflow er muligvis afbrudt.</li> </ol>	<ol style="list-style-type: none"> <li>1. Bekræft, at temperaturen hele tiden er over 10 °C.</li> <li>2. Følg trinene i afsnittet "Placering at fælden" i brugsanvisningen.</li> <li>3. Hold fælden i gang døgnet rundt, hver dag i mindst 4 uger for at mindske antallet at myg.</li> <li>4. Luftstrømmen kan være hæmmet. Henvend dig til din lokale serviceforhandler.</li> </ol>



**MOSQUITO MAGNET®**





# Instruktionsbok



**MOSQUITO MAGNET®**



**CAUTION** - The appliance is not to be used by persons (including children) with reduced physical, sensory or mental capabilities, or lack of experience and knowledge, unless they have been given supervision or instruction - children being supervised not to play with the appliance.



The symbol on the product or its packaging indicates that this product must not be disposed of with your other household waste. Instead, it is your responsibility to dispose of your waste equipment by handing it over to a designated collection point for the recycling of waste electrical and electronic equipment. The separate collection and recycling of your waste equipment at the time of disposal will help conserve natural resources and ensure that it is recycled in a manner that protects human health and the environment. For more information about where you can drop off your waste for recycling, please contact your local authority, or where you purchased your product.



**MERK** - Apparatet skal ikke brukes av personer (inkludert barn) med reduserte fysiske, sensoriske eller mentale evner, eller mangel på erfaring og kunnskap, med mindre de er under tilsyn eller blir instruert. Barn under tilsyn skal ikke leke med apparatet.



Symbolet på produktet eller emballasjen indikerer at produktet ikke må kastes sammen med annet husholdningsavfall. Det er ditt ansvar å avhende utstyret ved å levere det til et egnet innsamlingssted for resirkulering av elektrisk og elektronisk utstyr. Separat innsamling og gjenvinning av kassert utstyr på tidspunktet for avhending vil bidra til å bevare naturressursene og sikre at det resirkuleres på en måte som ivaretar helse og miljø. For mer informasjon om hvor du kan levere avfall til gjenvinning, kan du kontakte lokale myndigheter eller der du kjøpte produktet.



**HUOMIO** – Henkilöiden (mukaan lukien lapset), joiden fyysinen, henkinen tai aistikapasiteetti on heikentynyt tai joilla ei ole tarvittavaa kokemusta tai tarvittavia tietoja, ei tule käyttää tätä laitetta, ellei heitä valvota tai ellei heitä ole opastettu sen käytössä. Lapsia tulee vahtia, etteivät he leiki laitteen kanssa.



Tuotteessa tai sen pakkauksessa oleva merkintä tarkoittaa, ettei tätä tuotetta saa hävittää kotitalousjätteen mukana. Sen sijaan on sinun vastuullasi, että hävität käytetyn laitteen viemällä sen elektronisille ja sähkölaitteille tarkoitettuun keräyspisteeseen kierrätystä varten. Käytetyn laitteen hävittäminen erikseen kierrättämällä auttaa säilyttämään luonnonvaroja ja varmistamaan, että laite kierrätetään ihmisten terveyttä ja ympäristöä suojelevalla tavalla. Lisätietoja siitä, mihin voit viedä kierrätysjätteet, saat ottamalla yhteyttä paikallisiin viranomaisiin tai tuotteen myyntipaikkaan.



**VAR FÖRSIKTIG!** Anordningen får inte användas av personer (inklusive barn) med nedsatt fysisk, sensorisk eller mental förmåga eller som saknar erfarenhet eller kunskap, förutom när de övervakas eller instrueras. Man måste även säkerställa att barn inte leker med anordningen.



Symbolen på produkten eller på dess förpackning anger att produkten inte får slängas med hushållsavfall. Det åligger dig istället att kassera anordningen genom att ta den till en designerad insamlingspunkt för återvinning av kasserad elektrisk och elektronisk utrustning. Den separata insamlingen och återvinningen av din kasserade utrustning bidrar till att skydda naturresurser och säkerställa att den återvinns på ett sätt som skyddar människors hälsa och miljön. För mer information om vart du kan ta ditt avfall för återvinning ska du kontakta lokala myndigheter eller platsen där du köpte produkten.



**ВНИМАНИЕ** – Настоящим прибором нельзя пользоваться лицам (включая детей) с ограниченными физическими возможностями, характеристиками сенсорной системы и умственными способностями; лицам, не обладающим достаточным опытом или знаниями, или не получившим необходимых инструкций или подготовки; необходимо следить за тем, чтобы дети не играли с настоящим прибором.



Знак на этом приборе или на его упаковке указывает на то, что настоящий прибор нельзя выбрасывать с бытовым мусором. Вместо этого, Вы обязаны утилизировать использованный прибор, оставив его в соответствующем пункте сбора утильсырья и отходов производства электрического и электронного оборудования. Сбор и утилизация Вашего использованного оборудования поможет в сохранении природных ресурсов, в защите здоровья людей и окружающей среды. За дополнительной информацией о том, куда можно принести использованный прибор для утилизации, обращайтесь в местные органы власти или в место приобретения прибора.



**ATTENZIONE** - Questo apparecchio non deve essere utilizzato da persone (bambini inclusi) con ridotte capacità fisiche, sensoriali o mentali, o persone che non abbiano adeguata esperienza o conoscenza, a meno che non siano sotto stretta sorveglianza o siano state adeguatamente istruite circa l'uso dell'apparecchio stesso. I bambini sotto la supervisione di un adulto non devono giocare con questo apparecchio.



Il simbolo sul prodotto o sull'imballaggio indica che questo apparecchio non può e non deve essere smaltito con altri rifiuti domestici. Pertanto, è vostra responsabilità consegnare questo prodotto da smaltire ad un ente specializzato nel riciclaggio di materiale elettrico ed elettronico. La raccolta differenziata e il riciclaggio di tali rifiuti nel momento dello smaltimento aiuteranno a preservare le risorse naturali e garantiranno un riciclaggio adatto a proteggere il benessere dell'uomo e dell'ambiente. Per ulteriori informazioni su dove poter smaltire i rifiuti riciclabili, si prega di contattare l'autorità locale pertinente, o il punto vendita dove si è acquistato il prodotto.



**MISE EN GARDE** – Cet appareil ne doit pas être utilisé par des personnes (y compris des enfants) dont les capacités physiques, sensorielles ou mentales sont réduites ou qui ne possèdent pas l'expérience et les connaissances requises, sauf s'ils sont supervisés ou reçoivent les instructions; les enfants, même supervisés, ne doivent pas jouer avec l'appareil.



Le symbole apposé sur le produit ou son emballage indique qu'il ne doit pas être mis au rebut avec les déchets ménagers. Il vous incombe de mettre au rebut votre équipement usagé en l'apportant à un point de collecte désigné pour le recyclage de l'équipement électrique et électronique. La collecte et le recyclage séparés de votre équipement usagé au moment de la mise au rebut permettra de préserver les ressources naturelles et de s'assurer qu'il est recyclé d'une manière qui protège la santé humaine et l'environnement. Pour de plus amples renseignements sur l'endroit où vous pouvez déposer les déchets à recycler, veuillez vous adresser aux autorités locales ou au magasin où vous avez acheté le produit.



**PRECAUCIÓN:** el aparato no debe ser utilizado por personas (incluidos niños) que tengan su capacidad física, sensorial o mental disminuida, o falta de experiencia y conocimientos, a menos que cuenten con supervisión o instrucciones (los niños deben ser supervisados para que no jueguen con el electrodoméstico).



El símbolo que aparece en el producto o el embalaje indica que este producto no debe desecharse como si fuese cualquier otro producto desechable de su hogar. En su lugar, usted es responsable de desechar el aparato depositándolo en uno de los puntos de recogida designados para reciclaje de productos eléctricos o electrónicos. Al separar y reciclar su equipo desechable de este manera, ayudará a conservar los recursos naturales y a asegurarse de que el reciclaje se realice de tal modo que proteja la salud humana y el medioambiente. Para más información sobre dónde depositar el producto desechable para su reciclaje, póngase en contacto con las autoridades de su localidad, o con el establecimiento donde adquirió el producto.



**CUIDADO** - O aparelho não deverá ser usado por pessoas (incluindo crianças) com reduzidas capacidades físicas, sensoriais nem mentais, nem com falta de experiência ou de conhecimentos, a não ser que lhes tenham sido dada instrução ou supervisão - deverá haver vigilância para que as crianças não brinquem com o aparelho.



O símbolo no produto ou na sua embalagem indica que este produto não deverá ser descartado com outros lixos caseiros. Em vez disso, será da sua responsabilidade eliminar o seu equipamento descartado entregando-o num local de recolha de equipamentos eléctricos e electrónicos descartados para serem reciclados. A recolha separada e a reciclagem dos seus equipamentos descartados na ocasião da sua eliminação ajudarão a conservar os recursos naturais e a assegurar que eles sejam reciclados de uma maneira que proteja a saúde humana e o ambiente. Para obter mais informações sobre onde poderá entregar os seus lixos para reciclagem, por favor contacte as suas autoridades locais ou o local onde comprou o seu produto.



**ADVARSEL** - Apparatet må ikke anvendes af personer (herunder børn) med nedsatte fysiske, sensoriske eller mentale evner eller manglende erfaring og viden, medmindre de er blevet vejledt eller instrueret – børn, også dem, der er under opsyn, må ikke lege med apparatet.



Symbolet på produktet eller emballagen angiver, at dette produkt ikke må bortskaffes sammen med andet husholdningsaffald. I stedet er det dit ansvar at bortskaffe det brugte udstyr ved at aflevere det på et angivet indsamlingssted for genbrug af kasseret elektrisk og elektronisk udstyr. Denne særskilte indsamling og genbrug af dit kasserede udstyr på tidspunktet for bortskaffelsen hjælper med at bevare naturens ressourcer og sikrer, at udstyret genbruges på en måde, der beskytter menneskers helbred og miljøet. For mere information om, hvor du kan aflevere dit affald til genbrug, bedes du kontakte din kommune eller det sted, hvor du købte produktet.

# Avstängning vid låg temperatur

Fällan har en temperatursensor som kan användas för att automatiskt ställa fällan i ett standbyläge när både utomhustemperaturen och temperaturen i fällan är lägre än ett börvärde som **väljs av användaren**. Forskning har visat att det är väldigt lite myggaktivitet när lufttemperaturen faller under 10 °C (50 °F) (på vissa platser och för en del myggarter kan dock aktiviteten fortgå vid temperaturer under 10 °C (50 °F)). Fällan har en punkt för avstängning vid låg temperatur, som kan **väljas av användaren**, och börjar vid 10 °C (50 °F) och sjunker i steg om 2,8 °C (5 °F) till en lägsta temperatur på -1 °C (30 °F). **Standardinställningen på fällan är inte en avstängning vid låg temperatur.**

För att få åtkomst till parametrarna för Avstängning vid låg temperatur trycker du på knappen för läge och håller den nedtryckt i minst tre sekunder tills menyn för Avstängning vid låg temperatur visas. Gå igenom temperaturalternativen genom att trycka på knappen för läge, med början med Av (tom) och sedan till 30, 35, 40, 45 och 50 (°F). Fortsätter du att växla med knappen för läge går den efter 50 tillbaka till Av (tom) och sedan upprepas cykeln. När du har valt ett temperaturalternativ slutar du trycka på knappen för läge. Vänta i ungefär tre sekunder och därefter sparas ditt temperaturval automatiskt.

Om fällan är på (ordet RUN visas och den gröna LED-lampan lyser), och ett värde för avstängning vid låg temperatur har valts stängs fällan av när lufttemperaturen och temperaturen i fällan har fallit under börvärdet. När fällan är i läget Avstängning vid låg temperatur blinkar ordet COOL och termometerikonen. Fällan startas om när temperatursensorn anger att lufttemperaturen och temperaturen i fällan är **cirka 2,8 °C (5 °F) över valt värde för avstängning vid lågtemperatur.**

Om fällan är i läget uppvärmning när temperaturen faller under valt börvärde stängs den av, **men den startas inte om automatiskt.**

Besök oss på [mosquitomagnet.com](http://mosquitomagnet.com) för ytterligare information om tips från Mosquito Magnet och rekommendationer.

Woodstream Corporation  
69 North Locust Street  
Lititz, PA 17543  
USA  
[www.mosquitomagnet.com](http://www.mosquitomagnet.com)

432-462

# Välkommen

Vi gratulerar till ditt inköp av Mosquito Magnet®. Nu kan du börja njuta av din uteplats igen.

Mosquito Magnet är den ledande myggfällan i Nordamerika. Efter 18 års forskning och självständig provning har Mosquito Magnet vetenskapligt bevisats vara effektiv i att minska förekomsten av myggor och andra bitande insekter på din tomt.

Mosquito Magnet är lätt att använda. I denna instruktionsbok lär du dig allt du behöver veta om hur den fungerar, bästa placering av fällan, underhåll, förvaring och garantiinformation. Fällans placering, användning av Ocetenoltabletter, samt rutinmässigt underhåll avgör hur effektiv fällan kommer att vara. För bästa fångsttal ska du byta propanflaska och R-Octenoltabletter efter 21 dagar.

Besök års på [www.mosquitomagnet.se](http://www.mosquitomagnet.se) for ytterligare information om Mosquito Magnet.

## **Woodstream® Corporation**

69 North Locust Street  
Lititz, PA 17543  
1-800-953-5737  
[www.mosquitomagnet.com](http://www.mosquitomagnet.com)

## **AcretoAB**

Norra Ågatan 10 41664 Göte-  
borg Sverige  
[www.mosquitomagnet.se](http://www.mosquitomagnet.se)

Patent:

Denmark: Nr. 1432304

Finland: Nr. 1432304

France: Nr. 1,537,780; 1,011,324; 1,049,373 och 1,432,304

Germany: Nr. 1011324; 1049373 och 60211538.8

Greece: Nr. 1011324 och 1432304

India: Nr. 228997

Ireland: Nr. 1011324 och 1432304

Italy: Nr. 1,537,780; 1,011,324; 1,049,373 och 1,432,304

Japan: Nr. 4317748

Portugal: Nr. 1011324 och 1432304

Spain: Nr. 1,537,780; 1,011,324 och 1,432,304

Sweden: Nr. 1,537,780 och 1,432,304

UK: Nr. 1,537,780; 1,011,324; 1,049373 och 1,432,304

Australia: Nr. 726575; 735984; 2002356537 och 2012202864

New Zealand: Nr. 335035 och 506403

Singapore: Nr. 64595

S. Africa: Nr. 97/8366

China: Nr. ZL0281957.X och ZL03812961.2

Brazil: Nr. 9711492-8; 9908104-0 och PI0508967-0

Mexico: Nr. 250272

Andre patent siikta

Tillverkad i Kina

## **FÖR DIN SÄKERHET**

### **Om du känner lukten av gas:**

1. Stäng av gasen till apparaten.
2. Släck all öppen eld.
3. Öppna locket.
4. Om gaslukten fortsätter, kontakta din gasleverantör eller brandkår.

## **FÖR DIN SÄKERHET**

1. Förvara inte eller använd inte bensin el/er andra brandfarliga ångor elier vatskor i närheten av denna eller någon annan apparat.
2. En gasolflaska som inte är ansluten för användning ska ej förvaras i närheten av denna eller någon annan apparat.



# MOSQUITO MAGNET®

# Innehåll

## Säkerhetsanvisningar

### Huvuddelar

### Monteringsanvisningar

- Monte ring av fällan
- Installation av insektspåse

### Uppställning

- Anvisningar för laddning av batteri
- Place ring av fällan
- Installation av gasolflaska

### Anvisningar

- Startanvisningar
- Avstängningsanvisningar
- När fällan inte används
- Förvaring vid slutet på säsongen
- För bästa resultat

### Smart teknologi

- Inställning av bränslebesparingsläge
- Bränslebesparingslägen
- Avstängning vid låg temperatur
- Varning vid lågt batteri
- Bamsäkert las

### Underhåll

- Underhåll
- Tips för byte av propanflaska
- Underhållsschema

### Felsökning

- LED lysdiod felkode

3s-4s

5s

6s

7s-8s

9s

10s

11s

12s



## Hur Mosquito Magneff® fungerar

Myggor och andra bitande insekter använder långdistanslockmedlet koldioxid (CO<sub>2</sub>) för att hitta människor. Så snart de kommer i närheten av en människa använder myggorna de kortdistanslukter som avges av människohud för att bestämma vilken person de ska bita. Mosquito Magnet härmar människor genom att omvandla Propan till CO<sub>2</sub> med sin patenterade katalytiska reformeringsteknologi, i kombination med en kortdistanslukter.

Attraherade av koldioxid (CO<sub>2</sub>) och R-Octenol lockas myggor och andra bitande insekter till din Mosquito Magnet®. När de är framme vid fällan sugs insekterna in i en nätpåse av vår patenterade teknologi Counterflow™ Technology, där de torkar ut och dör inom 24 timmar.

Mosquito Magnet är tyst och luktfri. När den är rätt placerad på din tomt börjar fällan fungera omedelbart. **Märkbara resultat kan nås inom 7 till 10 dagar.** För att grundligt reducera förekomsten av bitande insekter behöver du använda fällan i 4 veckor. Låt Mosquito Magnet stå ute hela sommaren för att kontrollera myggpopulationen på din tomt.

Fällan är endast inriktad på bitande insekter, inklusive myggor, knott, svartflugor och bitande fjädermyggor. Nyttiga insekter, som t.ex. fjärilar, bin eller nattfjärilar påverkas ej.

## Frågor eller kommentarer

Woodstream® Corporation  
69 North Locust Street  
Lititz, PA 17543  
USA  
[http://www.mosquitomagnet.com/store\\_locator/International/](http://www.mosquitomagnet.com/store_locator/International/)

Model Nr:	Executive
Tillverkningsnummer:	
Gastyp:	Propan
ingastryck: Minimum tryck i gastillfösel:	100 – 110 psi (6,90-7,58 bar)
Ineffektvärde:	759 Btu/time
Minimum ftitt utrymme:	51 - 61 cm



# MOSQUITO MAGNET®

# Säkerhetsanvisningar

**Var god läs och följ alla säkerhetsanvisningar och varningar.**

Barn och vuxna skall varnas om farorna av höga temperaturer på ytorna och ska hålla sig på avstånd för att undvika brännskador eller att kläderna antänds.

Småbarn måste hållas under noggrann uppsikt när de befinner sig i närheten av värmeelementet. Håll utom räckhåll för barn.

Kläder eller andra antändbara material får ej hängas på värmeelementet eller placeras på eller in i närheten av värmeelementet.

**Obs!:** Några eller alla av följande säkerhetsanvisningar för propandrivna apparater kan gälla din fälla. Låt fällan svalna av i 5 minuter innan den startas igen.

**⚠ Varning:** Felaktig installation, justering, ändring, service eller underhåll kan orsaka personskada eller sakskada. Läs noga anvisningarna för installation, drift och underhåll före installation eller service på fällan.

**⚠ Varning:** Gastrycksregulatorn som medföljer denna apparat måste användas. Denna regulator är inställd för ett expansionstryck på 28 cm vattenpelare. Minimum gasintryck är 28 cm vattenpelare från regulatorn.

- Denna apparat är inte avsedd för installation i eller på husbilar och/eller båtar.
- Gastillförseln måste vara avstängd vid propangasflaskan när denna apparat inte används.
- Installationen måste överensstamma med lokala bestämmelser och gällande CE- och EU-föreskrifter.
- För att söka en gasläcka, dabba på tvålvatten runt koppling, regulator och gasslangsmontage. Om bubblor visar sig finns det en gasläcka.
- Inspektera slangen före varje användning av apparaten. Om det är tydligt att det finns svår slitning eller nötning, eller om slangen skurits eller har en repa, måste den bytas ut innan apparaten används igen. Utbytesslangen måste vara den som specificerats av tillverkaren.
- Fällan är utrustad med ett inre tändstift. Följs inte startproceduren startar inte fällan.
- Installation och reparationer ska utföras av kvalificerad servicepersonal (service centers finns på [www.mosquitomagnet.se](http://www.mosquitomagnet.se)). Det är nödvändigt att kontinuerligt rengöra maskinen. (Se bif. skötselansvisningar)



**MOSQUITO MAGNET®**

# Säkerhetsanvisningar

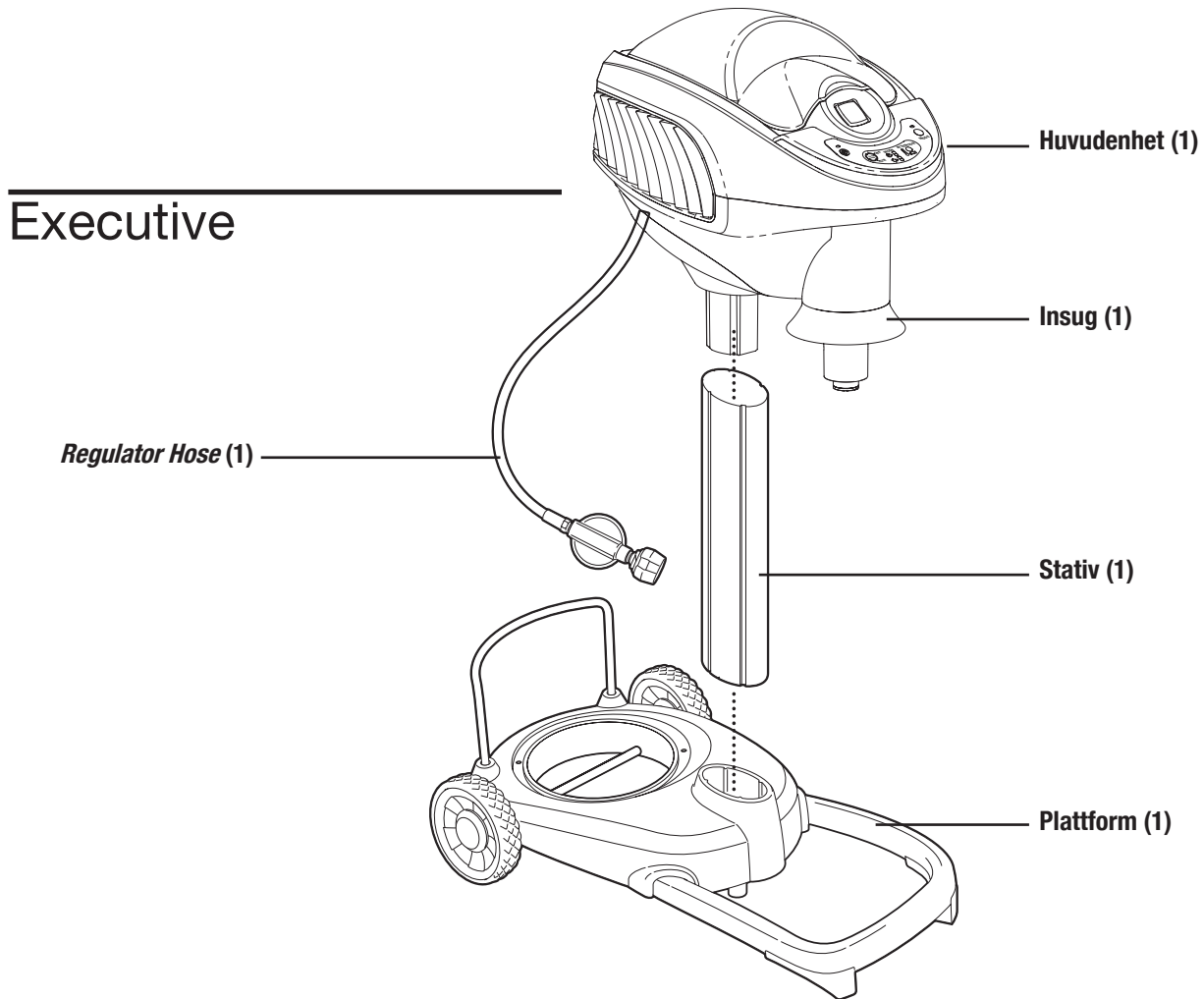
- Håll ett område på minst 60 cm runt om maskinhuvudet och dess luftöppningar fritt. Håll dessutom området kring fällan rent och fritt från brännbara material, bensin och andra antändbara ångor och vätskor. Apparaten får inte användas där antändbara ångor eller explosivt damm kan förekomma.
- Blockera inte luftflödet för förbränning och ventilation.
- Hall ventilationsöppningarna i gasflaskans område rent och fritt från skräp.
- Rengör fällan vid behov med en vattenfuktad duk.
- Gasolflaskan måste vara utrustad med en avstängningsventil som slutar i en utloppsventil för propangasflaska specificerad för anslutning som överensstämmer med CE- och EU-föreskrifter.
- Gasolflasksystemet måste vara anordnat för angutsläpp och flaskan måste ha en krage som skydd för flaskventilen.
- Gasolflaskan ska vara konstruerad och märkt i enlighet med specifikationerna för Gasolflaskor i CE- och EU-föreskrifter.
- Fällan ska endast användas utomhus på välventilerad plats och får ej användas inne i en byggnad, garage eller något annat instängt område.
- Gasolflaskan måste fränkopplas och avlägsnas från apparaten om apparaten ska förvaras inomhus.
- Gasomaskor måste förvaras utomhus på välventilerad plats otillgänglig för barn.
- Fränkopplade flaskor måste ha en gängad, tättslutande ventilplugg och får ej förvaras i en byggnad, garage eller något annat instängt område.
- Tryckregulatorn och slangmonteringen som medföljer denna apparat måste användas till anslutning med propangasflaskan. Ersättning för tryckregulator och slangmontering måste motsvara tillverkarens specifikationer.

**Besök [www.mosquitomagnet.se](http://www.mosquitomagnet.se)**



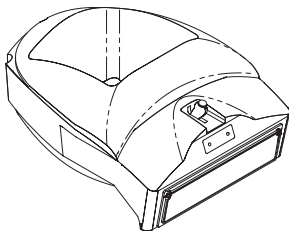


# Huvuddelar

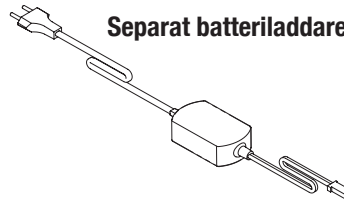


## Medföljande delar

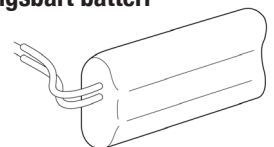
Fångstbehållare



Separat batteriladdare



Uppladdningsbart batteri

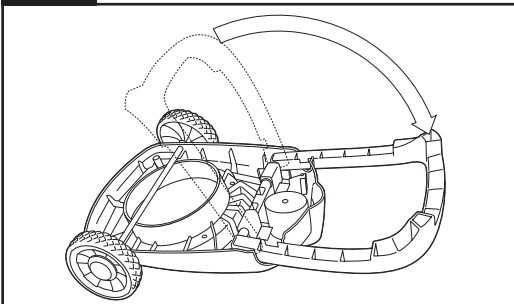


# MOSQUITO MAGNET®

# Monteringsanvisningar

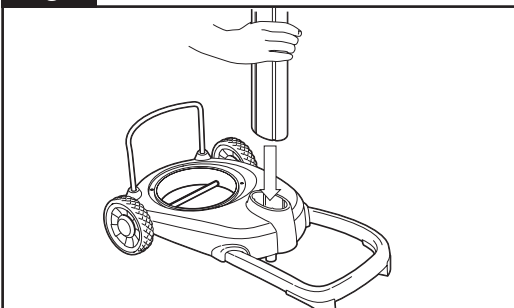
## Montering av fällan:

### Steg 1



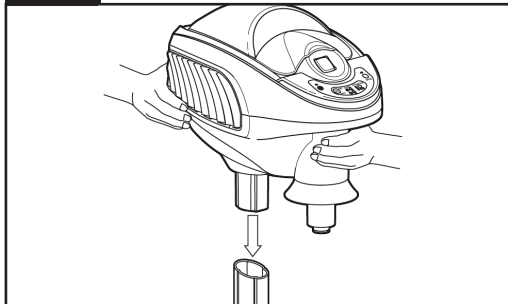
Placera plattformen upp och ned på en platt yta, vik ut det U-formade stödbenet tills det lases in på plats.

### Steg 2



Vänd sockel-och benmontering upprätt och sätt in stativet i öppningen i sockeln.

### Steg 3



Sätt fällans motor på pelaren. Tryck kraftigt nedåt med båda händerna så den sitter stadigt.

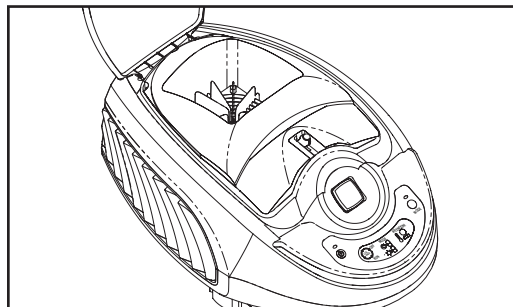
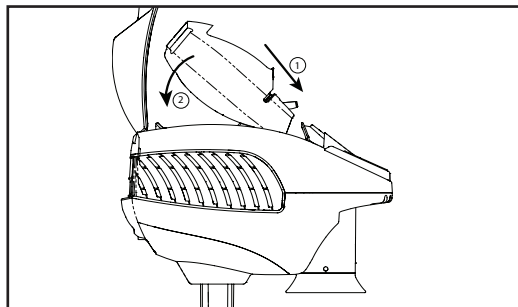
Den färdigmonterade fällan ska ha huvudenhetens/insugets framsida placerad längst bort från hjulen i samma riktning som sockelns U-formade ben.

### Steg 4

Batteriet kommer inte fullt laddat från fabriken. Ladda batteriet före första användning. Vid rätt användning räcker en laddning hela säsongen. Se sid. 7s för ytterligare information.

## Installation av fångstbehållare:

För att sätta in fångstbehållare, koppla först in den i framsidan/öppningsdelen och skjut sedan försiktigt ned baksdelen på plats.



# Uppställning

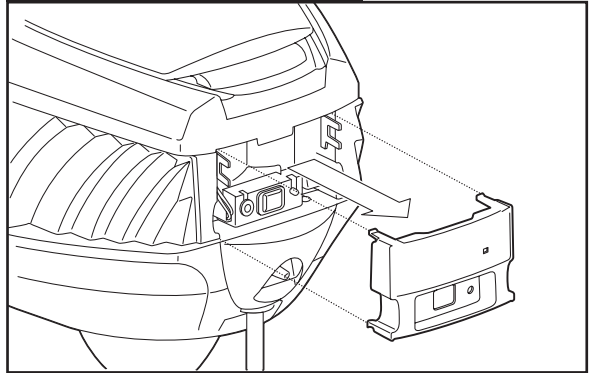
## Anvisningar for laddning av batteri

1. Ta bort panelen från baksidan av motorhuset (panelen trycks av med ett klick). Tryck på batterilåset & dra ut det ur fällan för att koppla ifrån fällan. Ta ut batteriet genom att dra uppåt från botten och vrid ut batteriet från dess plats.
2. Batteriladdaren är inte godkänd för användning utomhus. Batteriet måste laddas inomhus.
3. Anslut batteriladdaren till ett lämpligt strömuttag inomhus.
4. Anslut det uppladdningsbara batteriet till batteriladdaren.
5. Lysdioden på batteriladdaren visar rött medan batteriet laddas. Lysdioden visar grönt när batteriet är fullt laddat. Normalt tar det mindre än två timmar att ladda batteriet.
6. Batteriladdaren är automatisk, den kopplar ned till en säker låg ström när batteriet har nått full laddning. Den överladdar inte batteriet. För längsta batteritid, lämna inte batteriet på laddaren för länge.
7. När batteriet är fullt laddat, ta bort det från batteriladdaren och sätt tillbaka det i Mosquito Magnet Executive.
8. Sätt in och anslut det uppladdningsbara batteriet.
9. Sätt tillbaka panelen på baksidan av motorhuset.

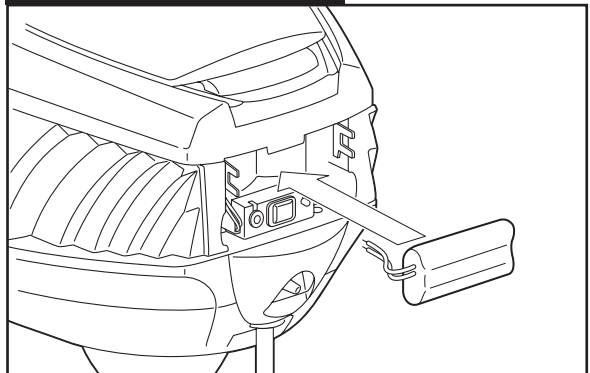
## Placering av fällan

1. Fastställ rådande vindar. Ta reda på lokala vädermönster om du inte vet säkert.
2. Stå i mitten av det område du vill skydda och vänd dig i riktning mot rådande vind.
3. Rätt placering av fällan ska vara inom 1,5 meter från marktäckande växter (t.ex. buskar, rabatter, träd, sumpmark). Var säker på att fällan inte står direkt mot något hinder som t.ex. byggnader, staket, osv.
4. Vi rekommenderar att fällan placeras i skuggan.
5. Placera inte fällan direkt ovanför en vattenkälla (sprinklers, slangar, osv.).
6. Fällan måste placeras på jämn mark för att undvika tippning eller ojämn gasdistribution.
7. För bästa placering i din trädgård hänvisar vi till instruktions-video på [www.acreto.se/Mosquito-Magnet/Kundservice/Placeringsguide](http://www.acreto.se/Mosquito-Magnet/Kundservice/Placeringsguide).

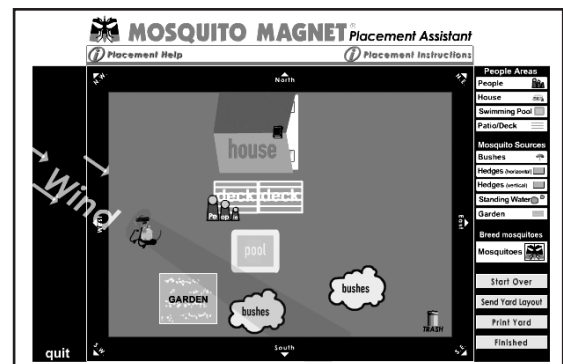
## Ta bort panelen på baksidan



## Sätt in och anslut batteriet



**OBS!** Försäkra att panelen blir tillbakasett, fällan är inte väderbeständig utan sluten panel.



# MOSQUITO MAGNET®

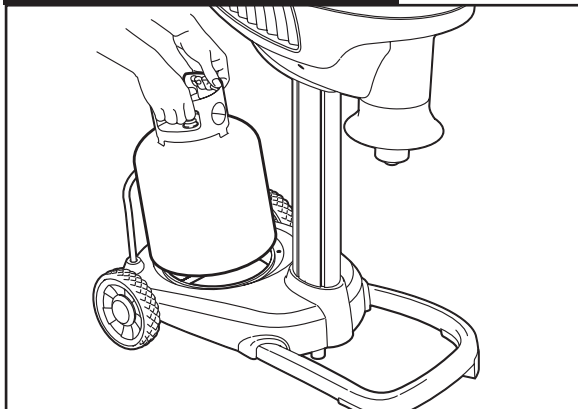
# Uppställning

## Installation av gasolflaska

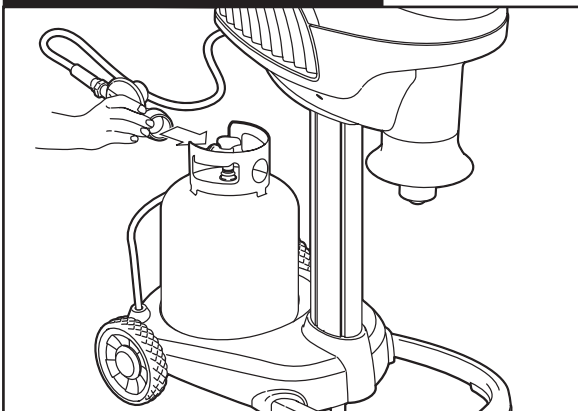
1. När fällan har placerats på bästa plats, placera flaskan på den medföljande plattformen.
2. Var säker på att gasolflaskan är helt stängd, fäst regulatorns slang på gasolflaskan. **Använd ej verktyg.**
3. Vrid på gasen genom att sakta vrida ventilen motsols. Var föriktig och vrid inte för fort, för att undvika att säkerhetsventilen stängs.

**⚠ FLYTTA INTE FÄLLAN MED FLASKAN FÄSTSATT!**  
FLASKAN MÅSTE VARA FRÄNKOPPLAD FRÅN  
REGULATORN INNAN FÄLLAN FLYTTAS FÖR ATT UNDVIKA  
SKADA PÅ REGULATORN OCH/ELLER FÄLLAN. OBSERVERA  
ATT SKADA SOM ORSAKATS AV FÖRSUMMELSE ATT FÖLJA  
DENNA ANVISNING INTE TÄCKS AV GARANTIN.

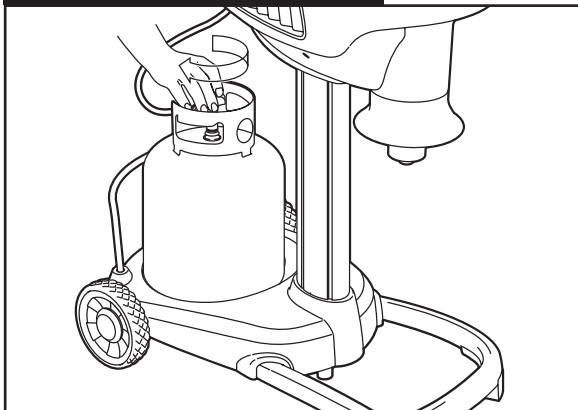
### Steg 1 - Placering av propanflaska



### Steg 2 - Anslut regulatorn



### Steg 3 - Öppna ventilen sakta



# Anvisningar

**\*\*LÄS INSTRUKTIONSBOKEN INNAN OU BÖRJAR\*\***

**Ladda batteriet enligt anvisningar på sid. 1s. Vid rätt användning räcker batteriet hela säsongen.**

## Startanvisningar

Vi rekommenderar att du läser hela instruktionsboken innan du startar Mosquito Magnet®-fällan.

1. Sätt in R-Octenol i behållaren enligt anvisningar på förpackningen.
2. För att starta fällan, tryck och håll på PNAV (ON/OFF)-knappen i tre sekunder tills den orangefärgade lysdioden lyser upp.
3. Bildskärmen visar KOR (RUN). WARM och pilvisare blinkar också på bildskärmen. Lysdioden (visaren ovanför PNAV [ON/OFF] knappen) lyser orange.
4. Flakten ökar från lag hastighet till hög hastighet efter ungefär 3 minuter.
5. Bildskärmen blinkar WARM (VARM) och lysdioden är orange i orsinner från bildskärmen.

## Avstängningsanvisningar

För att stänga av fällan, tryck på PÅ/AV (ON/OFF)-knappen. Bildskärmen visar KÖR (RUN). AVSVALNING (COOL) samt pilvisare blinkar på bildskärmen. Lysdioden är grön. Efter två minuters avsvälning stannar flakten, lysdioden stängs av och AV (OFF) visar på bildskärmen.

## När fällan inte används

Om apparaten inte används måste gasen stängas av vid gasflaskan. Förvaring av denna apparat inomhus är tillåten endast om flaskan kopplas ifrån och tas bort. Flaskor måste förvaras utomhus, utom räckhåll för barn och får ej förvaras inomhus i en byggnad, garage eller något annat instängt område.

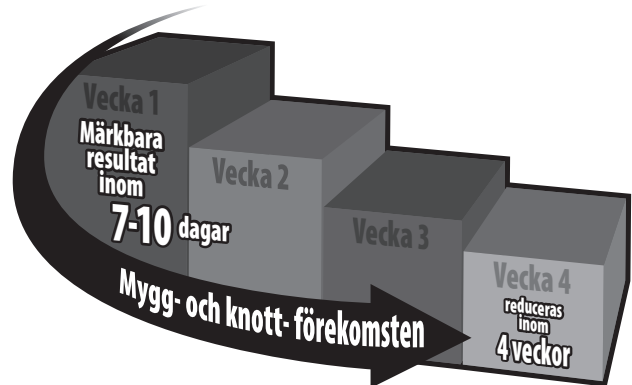
## Förvaring vid slutet på säsongen

Lä ovanstående anvisningar för avstängning innan du stänger ventilen till propanflaskan och kopplar ifrån regulatort. Stäng ventilen till propanflaskan och koppla ifrån regulatort. Koppla även ifrån batteriet men var säker på att inte ta bort batteriet från fällan. Alla öppnade Mosquito Magnet®, R-Octenol-tabletter måste tas ut och kasseras.

Se etiketten på patronen för anvisningar om avfallshantering. Fångstbehållaren ska också tömmas innan fällan sätts in i förvaring. **FÖRVARING:** Fällan ska förvaras inomhus i ett garage eller skjul under vinterhalvåret. Täck trumpeteten för att hindra insekter att bosätta sig. Täck över apparaten med ett särskilt skydd för fällan eller med en presenning och fäst noggrant nedtill för att hålla ute damm, spindelväv och annat skräp.

## För bästa resultat kör den 24 timmar/dygn

- Din fälla börjar fånga mygg omedelbart med betydande reduktion i myggförekomsten inom 7 - 10 dagar. Räkna med 4 veckor för att kraftigt reducera myggförekomsten på din tomt.



- Låt fällan svalna av i 5 minuter innan den startas igen.
- Spruta aldrig bekämpningsmedel i eller omkring fällan.
- Man kan låta fällan gå när det regnar men placera den inte direkt ovanför en vattenkälla (sprinkler, vattenslang, osv.).
- Vid användning av kalk eller andra gödningsämnen, stäng först av fällan för att förebygga att damm eller smuts dras in i fällan och täpper till fångstbehållaren.

**Varning:** Felaktig installation, justering, ändring, service eller underhåll kan orsaka personskada eller sakskada. Läs noga anvisningarna för installation, drift och underhåll före installation eller service på denna utrustning.

**Varning:** Gasttrycksregulatort som medföljer denna apparat måste användas. Denna regulator är installerad för ett expansionsstryck på 28 cm vattenpelare.

Gastillförseln måste vara avstängd vid LP/lågtrycksgasflaskan när denna apparat inte används.



# MOSQUITO MAGNET®

# Smart teknologi

## Inställning av bränslebesparingsläge

Man har valet att köra fällan dygnet runt eller i ett av 4 bränslebesparingslägen som kan förlänga driftstiden på propanflaskan. Propanflaskan räcker i 21 dagar om du kör fällan dygnet runt som rekommenderas för bästa resultat. Var god se nedanstående tabell för motsvarande propanförbrukning baserat på driftssätt.

Drift Bränslebesparing	Flaskan Räcker*	Avstängd Dag	Avstängd Natt
Läge 1	22 dagar	1 tim.	1 tim.
Läge 2	24 dagar	2 tim.	2 tim.
Läge 3	27 dagar	3 tim.	3 tim.
Läge 4	30 dagar	4 tim.	4 tim.

\* Baserat på en 20lb. (9,0 7kg.) propanflaska

Drift i bränslebesparingsläge stoppar propanförbrukning mitt på dagen & mitt i natten. Forskning visar att myggen normalt är minst aktiva vid dessa tider.

### Obs!

Det "Smarta teknologi"-systemet lär sig automatiskt kretsloppet på dag och natt inom en 24-timmarsperiod medan det befinner sig i bränslebesparingsläget. Detta system använder en solcell som gör att fällan lär sig och justerar avstängning baserat på förändringar i solens upp- och nedgång under årstiderna.

## Bränslebesparingslägen

1. Tryck på LÄGE (MODE)-knappen för att välja bränslebesparingsinställning.

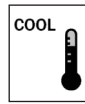


2. Varje gång man trycker på MODE-knappen går inställningen igenom 1, 2, 3, 4, Off, 1, osv.
3. Läge 1 stänger av fällan 1 timme mitt på dagen och 1 timme mitt i natten. Lägena 2, 3 och 4 motsvarar 2, 3 och 4 timmars avstängning på dagen och under natten.

4. För att visa att fällan befinner sig i bränslebesparingsläge blinkar pilarna och den gröna lysdioden är släckt.

Dessutom blinkar solikonen under dagen och månikonen blinkar under natten när fällan befinner sig i bränslebesparingsläge. Fläkten i fällan försätter att gå, i nedsatt hastighet för att förhindra att några myggor tar sig ut men fångar inte in myggor under denna period

5. Om fällan är i bränslebesparingsläget måste batteriet kopplas ifrån och sedan anslutas igen varje gång som propanflaskan fylls på. Batteriet måste kopplas ifrån för att återställa bränslebesparingsstimern.



## Avstängning vid låg temperatur

Fällan har en temperatursensor som kan användas för att automatiskt ställa fällan i ett standbyläge när både utomhustemperaturen och temperaturen i

fällan är lagre än ett börvärde som väljs av användaren. Forskning har visat att det är väldigt lite myggaktivitet när lufttemperaturen faller under 10 °C (50 °F) (på vissa platser och för en del myggarter kan dock aktiviteten fortgå vid temperaturer under 10 °C (50 °F)). Fällan har en punkt för avstängning vid låg temperatur, som kan väljas av användaren, och börjar vid 10 °C (50 °F) och sjunker i steg om 2,8 °C (5 °F) till en lägsta temperatur på -1 °C (30 °F). Standardinställningen på fällan är inte en avstängning vid låg temperatur.

För att få åtkomst till parametrarna för Avstängning vid låg temperatur trycker du på knappen för läge och håller den nedtryckt i minst tre sekunder tills meny för Avstängning vid låg temperatur visas. Gå igenom temperaturalternativen genom att trycka på knappen för läge, med början med Av (tom) och sedan till 30, 35, 40, 45 och 50 (°F). Fortsätter du att växla med knappen för läge går den efter 50 tillbaka till Av (tom) och sedan upprepas cykeln. När du har valt ett temperaturalternativ slutar du trycka på knappen för läge. Vänta i ungefär tre sekunder och därefter sparas ditt temperaturval automatiskt.

Om fällan är påa (ordet RUN visas och den gröna L ED-lampan lyser), och ett värde för avstängning vid låg temperatur har valts stängs fällan av när lufttemperaturen och temperaturen i fällan har fallit under börvärdet. När fällan är i läget Avstängning vid låg temperatur blinkar ordet COOL och termometerikonen. Fällan startas om när temperatursensorn anger att lufttemperaturen och temperaturen i fällan är cirka 2,8 °C (5 °F) över valt värde för avstängning vid lågtemperatur. Om fällan är i läget uppvärmning när temperaturen faller under valt börvärde stängs den av, men den startas inte om automatiskt.



## Varning om låg batteri

Batteriikon och ATTENTION blinkar om det blir nödvändigt att ladda batteriet.

## Barnsäkerhet

För att aktivera barnlåset måste hålla ON/OFF knappen i 3 hela sekunder.



# Underhåll

## **Underhåll**

---

- **Vid användning av ett av våra bränslesparingslägen, var säker på att justera datum på nedanstående tabell (se tabellen på sid. 10s för att samordna underhållsschemat med driftssätt).**
- **21-dagars underhållsperiod - för bästa prestation**
  - Fyll på propanflaskan. En 20-pund (9,07 kg) propanflaska räcker ungefär 21 dagar när apparaten går 24 timmar om dygnet.
  - Byt R-Octenoltablett. Läs anvisningarna på patronens etikett.
  - Töm eller byt fångstbehållaren.
- Tarka då och då av utsidan på Hällan med en ren, vattenfuktad duk.
- Ladda batteriet i 24 timmar i början av varje säsong.

## **Tips för byte av propanflaska**

---





När du sätter tillbaka regulatören efter flaskbyte, var noga med att dra åt regulatören på flaskan. Verktyg behövs inte, men vrid kopplingen för hand så långt som möjligt. När detta är gjort, lossa kopplingen 1/4 varv, dra sedan åt igen för att försäkra att kopplingen är gastät.

Syftet med ovanstående procedur är att säkra gasotillförseln. Om regulatören inte är helt inkopplad kan gasflödet reduceras så pass att fällan visar en 'gas tom' kod. Om detta sker, tryck på AV-knappen, stäng flaskventilen och ta bort regulatören från flaskan. Sätt tillbaka regulatören och försök igen.



# MOSQUITO MAGNET®

# Felsökning

Problem	Möjliga orsaker	Lösningar
<p><b>Fällan startar inte</b> <b>Fällan fortsätter inte att gå</b></p> <p><b>LCD</b></p>  <p><b>LED-- Röd lysdiod blinkar var 7:e sekund</b></p>	<ol style="list-style-type: none"> <li>1. Propanflaskan kan vara tom.</li> <li>2. Om propanflaskan är ny och nyligen har fyllts på måste den avluftas.</li> <li>3. De kan finnas en lös anslutning.</li> <li>4. Bränsleledningen kan vara blockerad av propanförroreningar</li> <li>5. Regulatorn är inte helt inkopplad.</li> <li>6. Fångstbehållaren kan vara full eller igensatt vilket medför att luftflödet stryps. Töm/rengör fångstbehållaren eller ersätt med ny.</li> </ol>	<ol style="list-style-type: none"> <li>1. Väg flaskan och jämför med "tom" vikt.</li> <li>2. Ta tillbaka flaskan där den fylldes. Det kan vara luft i bränsleledningen. Be att få flaskan avluftad.</li> <li>3. Kontrollera alla anslutningar. Försäkra att propanflaskans ventil är helt öppen.</li> </ol>
<p><b>Fällan fortsätter inte att gå</b></p> <p><b>LCD</b></p>  <p><b>LED - Röd/Orange lysdiod blinkar var 7:e sekund</b></p>	<ol style="list-style-type: none"> <li>1. Låg batterispänning.</li> </ol>	<ol style="list-style-type: none"> <li>1. Ladda batteriet före första användning och i början av varje säsong. Lysdioiden på batteriladdaren visar grönt när batteriet är fullt laddat.</li> <li>2. Kontrollera batterianslutningen och försäkra att batteriet är helt insatt och läst.</li> <li>3. Om ett fullt laddat batteri visar Låg batterispänning under perioden, ladda om eller byt ut batteriet.</li> </ol>
<p><b>Avstängning av fällan</b></p> <p><b>LCD</b></p>  <p><b>LEO - Röd/Grön lysdiod blinkar var 7:e sekund</b></p>	<ol style="list-style-type: none"> <li>1. Hög temperatur.</li> </ol>	<ol style="list-style-type: none"> <li>1. Stäng av fällan och låt svalna en timme, starta sedan om den.</li> </ol>
<p><b>Avstängning av fällan</b></p> <p><b>LCD</b></p>  <p><b>LEO - Röd lysdiod dubbelblinkar var 7:e sekund</b></p>	<ol style="list-style-type: none"> <li>1. Termistorfel.</li> </ol>	<ol style="list-style-type: none"> <li>1. Kontakta din närmaste servicerepresentant.</li> </ol>
<p><b>Avstängning av fällan</b> <b>LED - Röd lysdiod lyser stadigt rött</b></p>	<ol style="list-style-type: none"> <li>1. Elektriskt fel.</li> </ol>	<ol style="list-style-type: none"> <li>1. Kontakta din närmaste servicerepresentant.</li> </ol>
<p><b>Låg eller ingen fångst</b></p>	<ol style="list-style-type: none"> <li>1. Bitande insekters fortplantningscyklar har ännu inte börjat.</li> <li>2. Fel placering av fällan.</li> <li>3. R-Octenoltablettens kanske måste bytas.</li> </ol>	<ol style="list-style-type: none"> <li>1. Kontrollera att temperaturen genomgående är högre än +10 °C(50 °F).</li> <li>2. Följ stegen i avsnittet om "Placering av fällan" i din Instruktionsbok.</li> <li>3. Håll fällan i ständig drift 24 timmar om dygnet, 7 dagar i veckan i minst 4 veckor för att minska myggförekomsten.</li> <li>4. Det kan finnas hinder för luftflödet. Kontakta din närmaste servicerepresentant.</li> </ol>







**MOSQUITO MAGNET<sup>®</sup>**



# Käyttöopas



**MOSQUITO MAGNET®**



**CAUTION** - The appliance is not to be used by persons (including children) with reduced physical, sensory or mental capabilities, or lack of experience and knowledge, unless they have been given supervision or instruction - children being supervised not to play with the appliance.



The symbol on the product or its packaging indicates that this product must not be disposed of with your other household waste. Instead, it is your responsibility to dispose of your waste equipment by handing it over to a designated collection point for the recycling of waste electrical and electronic equipment. The separate collection and recycling of your waste equipment at the time of disposal will help conserve natural resources and ensure that it is recycled in a manner that protects human health and the environment. For more information about where you can drop off your waste for recycling, please contact your local authority, or where you purchased your product.



**MERK** - Apparatet skal ikke brukes av personer (inkludert barn) med reduserte fysiske, sensoriske eller mentale evner, eller mangel på erfaring og kunnskap, med mindre de er under tilsyn eller blir instruert. Barn under tilsyn skal ikke leke med apparatet.



Symbolet på produktet eller emballasjen indikerer at produktet ikke må kastes sammen med annet husholdningsavfall. Det er ditt ansvar å avhende utstyret ved å levere det til et egnet innsamlingssted for resirkulering av elektrisk og elektronisk utstyr. Separat innsamling og gjenvinning av kassert utstyr på tidspunktet for avhending vil bidra til å bevare naturressursene og sikre at det resirkuleres på en måte som ivaretar helse og miljø. For mer informasjon om hvor du kan levere avfall til gjenvinning, kan du kontakte lokale myndigheter eller der du kjøpte produktet.



**HUOMIO** – Henkilöiden (mukaan lukien lapset), joiden fyysinen, henkinen tai aistikapasiteetti on heikentynyt tai joilla ei ole tarvittavaa kokemusta tai tarvittavia tietoja, ei tule käyttää tätä laitetta, ellei heitä valvota tai ellei heitä ole opastettu sen käytössä. Lapsia tulee vahtia, etteivät he leiki laitteen kanssa.



Tuotteessa tai sen pakkauksessa oleva merkintä tarkoittaa, ettei tätä tuotetta saa hävittää kotitalousjätteen mukana. Sen sijaan on sinun vastuullasi, että hävität käytetyn laitteen viemällä sen elektronisille ja sähkölaitteille tarkoitettuun keräyspisteeseen kierrätystä varten. Käytetyn laitteen hävittäminen erikseen kierrättämällä auttaa säilyttämään luonnonvaroja ja varmistamaan, että laite kierrätetään ihmisten terveyttä ja ympäristöä suojelevalla tavalla. Lisätietoja siitä, mihin voit viedä kierrätysjätteet, saat ottamalla yhteyttä paikallisiin viranomaisiin tai tuotteen myyntipaikkaan.



**VAR FÖRSIKTIG!** Anordningen får inte användas av personer (inklusive barn) med nedsatt fysisk, sensorisk eller mental förmåga eller som saknar erfarenhet eller kunskap, förutom när de övervakas eller instrueras. Man måste även säkerställa att barn inte leker med anordningen.



Symbolen på produkten eller på dess förpackning anger att produkten inte får slängas med hushållsavfall. Det åligger dig istället att kassera anordningen genom att ta den till en designerad insamlingspunkt för återvinning av kasserad elektrisk och elektronisk utrustning. Den separata insamlingen och återvinningen av din kasserade utrustning bidrar till att skydda naturresurser och säkerställa att den återvinns på ett sätt som skyddar människors hälsa och miljön. För mer information om vart du kan ta ditt avfall för återvinning ska du kontakta lokala myndigheter eller platsen där du köpte produkten.



**ВНИМАНИЕ** – Настоящим прибором нельзя пользоваться лицам (включая детей) с ограниченными физическими возможностями, характеристиками сенсорной системы и умственными способностями; лицам, не обладающим достаточным опытом или знаниями, или не получившим необходимых инструкций или подготовки; необходимо следить за тем, чтобы дети не играли с настоящим прибором.



Знак на этом приборе или на его упаковке указывает на то, что настоящий прибор нельзя выбрасывать с бытовым мусором. Вместо этого, Вы обязаны утилизировать использованный прибор, оставив его в соответствующем пункте сбора утильсырья и отходов производства электрического и электронного оборудования. Сбор и утилизация Вашего использованного оборудования поможет в сохранении природных ресурсов, в защите здоровья людей и окружающей среды. За дополнительной информацией о том, куда можно принести использованный прибор для утилизации, обращайтесь в местные органы власти или в место приобретения прибора.



**ATTENZIONE** - Questo apparecchio non deve essere utilizzato da persone (bambini inclusi) con ridotte capacità fisiche, sensoriali o mentali, o persone che non abbiano adeguata esperienza o conoscenza, a meno che non siano sotto stretta sorveglianza o siano state adeguatamente istruite circa l'uso dell'apparecchio stesso. I bambini sotto la supervisione di un adulto non devono giocare con questo apparecchio.



Il simbolo sul prodotto o sull'imballaggio indica che questo apparecchio non può e non deve essere smaltito con altri rifiuti domestici. Pertanto, è vostra responsabilità consegnare questo prodotto da smaltire ad un ente specializzato nel riciclaggio di materiale elettrico ed elettronico. La raccolta differenziata e il riciclaggio di tali rifiuti nel momento dello smaltimento aiuteranno a preservare le risorse naturali e garantiranno un riciclaggio adatto a proteggere il benessere dell'uomo e dell'ambiente. Per ulteriori informazioni su dove poter smaltire i rifiuti riciclabili, si prega di contattare l'autorità locale pertinente, o il punto vendita dove si è acquistato il prodotto.



**MISE EN GARDE** – Cet appareil ne doit pas être utilisé par des personnes (y compris des enfants) dont les capacités physiques, sensorielles ou mentales sont réduites ou qui ne possèdent pas l'expérience et les connaissances requises, sauf s'ils sont supervisés ou reçoivent les instructions; les enfants, même supervisés, ne doivent pas jouer avec l'appareil.



Le symbole apposé sur le produit ou son emballage indique qu'il ne doit pas être mis au rebut avec les déchets ménagers. Il vous incombe de mettre au rebut votre équipement usagé en l'apportant à un point de collecte désigné pour le recyclage de l'équipement électrique et électronique. La collecte et le recyclage séparés de votre équipement usagé au moment de la mise au rebut permettra de préserver les ressources naturelles et de s'assurer qu'il est recyclé d'une manière qui protège la santé humaine et l'environnement. Pour de plus amples renseignements sur l'endroit où vous pouvez déposer les déchets à recycler, veuillez vous adresser aux autorités locales ou au magasin où vous avez acheté le produit.



**PRECAUCIÓN:** el aparato no debe ser utilizado por personas (incluidos niños) que tengan su capacidad física, sensorial o mental disminuida, o falta de experiencia y conocimientos, a menos que cuenten con supervisión o instrucciones (los niños deben ser supervisados para que no jueguen con el electrodoméstico).



El símbolo que aparece en el producto o el embalaje indica que este producto no debe desecharse como si fuese cualquier otro producto desechable de su hogar. En su lugar, usted es responsable de desechar el aparato depositándolo en uno de los puntos de recogida designados para reciclaje de productos eléctricos o electrónicos. Al separar y reciclar su equipo desechable de este manera, ayudará a conservar los recursos naturales y a asegurarse de que el reciclaje se realice de tal modo que proteja la salud humana y el medioambiente. Para más información sobre dónde depositar el producto desechable para su reciclaje, póngase en contacto con las autoridades de su localidad, o con el establecimiento donde adquirió el producto.



**CUIDADO** - O aparelho não deverá ser usado por pessoas (incluindo crianças) com reduzidas capacidades físicas, sensoriais nem mentais, nem com falta de experiência ou de conhecimentos, a não ser que lhes tenham sido dada instrução ou supervisão - deverá haver vigilância para que as crianças não brinquem com o aparelho.



O símbolo no produto ou na sua embalagem indica que este produto não deverá ser descartado com outros lixos caseiros. Em vez disso, será da sua responsabilidade eliminar o seu equipamento descartado entregando-o num local de recolha de equipamentos eléctricos e electrónicos descartados para serem reciclados. A recolha separada e a reciclagem dos seus equipamentos descartados na ocasião da sua eliminação ajudarão a conservar os recursos naturais e a assegurar que eles sejam reciclados de uma maneira que proteja a saúde humana e o ambiente. Para obter mais informações sobre onde poderá entregar os seus lixos para reciclagem, por favor contacte as suas autoridades locais ou o local onde comprou o seu produto.



**ADVARSEL** - Apparatet må ikke anvendes af personer (herunder børn) med nedsatte fysiske, sensoriske eller mentale evner eller manglende erfaring og viden, medmindre de er blevet vejledt eller instrueret – børn, også dem, der er under opsyn, må ikke lege med apparatet.



Symbolet på produktet eller emballagen angiver, at dette produkt ikke må bortskaffes sammen med andet husholdningsaffald. I stedet er det dit ansvar at bortskaffe det brugte udstyr ved at aflevere det på et angivet indsamlingssted for genbrug af kasseret elektrisk og elektronisk udstyr. Denne særskilte indsamling og genbrug af dit kasserede udstyr på tidspunktet for bortskaffelsen hjælper med at bevare naturens ressourcer og sikrer, at udstyret genbruges på en måde, der beskytter menneskers helbred og miljøet. For mere information om, hvor du kan aflevere dit affald til genbrug, bedes du kontakte din kommune eller det sted, hvor du købte produktet.



# Tervetuloa

Onnittelut Mosquito Magnet®-laitteen hankinnasta. Nyt voit nauttia kesästä ilman hyttysiä.

Mosquito Magnet on maailman johtava hyttysansalaite. Mosquito Magnetin on tieteellisten tutkimusten ja testien perusteella todettu vähentävän hyttysten ja muiden pistävien hyönteisten määrää piholla. Laite poistaa pidempiaikaisessa käytössä hyttysset kokonaan n. 4000 m2 alueelta.

Mosquito Magnet on helppokäyttöinen. Tämä käyttöopas antaa sinulle kaikki tarvitsemasi tiedot sen toiminnasta, parhaasta mahdollisesta sijoituspaikasta, huollosta, varastoinnista ja takuusta.

Menetyksen avain on ansan sijoittaminen, R-Octenol-tehosteaineen käyttö ja rutiinihuolto. Saavuttaaksesi parhaan pyydystystuloksen, vaihda kaasupullo ja R-Octenol-tehosteaine 21 vuorokauden.

Lisätietoja [www.hyttysansa.fi](http://www.hyttysansa.fi) tai [www.mosquitomagnet.fi](http://www.mosquitomagnet.fi) sekä Mosquito Magnet-hyttysansa Facebook-sivulla.

## Woodstream® Corporation

69 North Locust Street  
Lititz, PA 17543  
1-800-953-5737  
[www.mosquitomagnet.com](http://www.mosquitomagnet.com)

### Patentit:

Denmark: Nrot. 1432304  
Finland: Nrot. 1432304  
France: Nrot. 1,537,780; 1,011,324; 1,049,373 ja 1,432,304  
Germany: Nrot. 1011324; 1049373 ja 60211538.8  
Greece: Nrot. 1011324 ja 1432304  
India: Nrot. 228997  
Ireland: Nrot. 1011324 ja 1432304  
Italy: Nrot. 1,537,780; 1,011,324; 1,049,373 ja 1,432,304  
Japan: Nrot. 4317748  
Portugal: Nrot. 1011324 ja 1432304  
Spain: Nrot. 1,537,780; 1,011,324 ja 1,432,304  
Sweden: Nrot. 1,537,780 ja 1,432,304  
UK: Nrot. 1,537,780; 1,011,324; 1,049,373 ja 1,432,304  
Australia: Nrot. 726575; 735984; 2002356537 ja 2012202864  
New Zealand: Nrot. 335035 ja 506403  
Singapore: Nrot. 64595  
S. Africa: Nrot. 97/8366  
China: Nrot. ZL0281957.X ja ZL03812961.2  
Brazil: Nrot. 9711492-8 ja 9908104-0  
Mexico: Nrot. 250272

Muita patenteja vireillä

Valmistettu Yhdysvallat

## Suomessa

ProviterOy  
Tullikatu 12A4  
21100 NAANTALI

## TURVALLISUUS

### Jos tunnet kaasun hajua:

1. Sulje kaasuventtiili.
2. Sammuuta näkyvät liekit.
3. Avaa kansi.
4. Jos kaasun haju jatkuu, ota yhteyttä huoltoliikkeeseen.

## TURVALLISUUS

1. Älä säilytä bensiiniä tai muita syttyviä kaasuja tai nesteitä tämän laitteen läheisyydessä.
2. Älä säilytä ylimääräisiä nestekaasupulloja tämän tai minkään muunkaan isitteen läheisyydessä.



# MOSQUITO MAGNET®

# Sisällysluettelo

<b>Turvaohjeet</b>	<b>3f-4f</b>
<b>Laitteen osat</b>	<b>5f</b>
<b>Kokoamisohjeet</b>	<b>6f</b>
Ansan kokoaminen	
Hyttyspussin asennus	
<b>Käyttöönotto</b>	<b>7f-8f</b>
Latausohjeet	
Ansan sijoitus	
Kaasupullon asennus	
<b>Käyttöohjeet</b>	<b>9f</b>
Käynnistysohjeet	
Sammutusohjeet	
Laineen ollessa pois käytöstä	
Varastointi hyttyskauden päättyessä	
Parhaantuloksen varmistamiseksi	
<b>Älykäs tekniikka</b>	<b>10f</b>
Kaasunsäätiasetukset	
Pysähtyminen kylmässä lämpötilassa	
Akun alhaisen varaustason varoitus	
Lapsilukko	
<b>Kunnossapito</b>	<b>11f</b>
Kunnossapito	
Vihjeitä kaasupullon vaihtoon	
Kunnossapitoaikataulu	
<b>Vianmääritys</b>	<b>12f</b>
Järjestelmän LED-virhekoodit	

## Tuotteen rekisteröinti

Woodstream® Corporation  
69 North Locust Street  
Lititz, PA 17543  
United States  
[http://www.mosquitomagnet.com/store\\_locator/International/](http://www.mosquitomagnet.com/store_locator/International/)

<b>Merkki:</b>	Mosquito Magnet
<b>Malli:</b>	Executive
<b>Sajanumero:</b>	
<b>Kaasutyyppi:</b>	Nestekaasu
<b>Laiteluokka:</b>	I3b/P
<b>Käyttöpaine:</b>	29mbar
<b>Pullon paine:</b>	7-9bar
<b>Ottoteho:</b>	0,222 kWh (759 btu/h)
<b>Vähimmäisetäisyys rakenteisiin</b>	0,5-0,6m
<b>Kulutus:</b>	n. 4S0g/vrk <sup>1</sup>



## Mosquito Magnet®in toiminta

Hyttysset ja muut piatävät hyönleiset tunnislavat hengityksen hiilidioksidin (CO2) kaukaa ja paikanlaval ihmiset sen avulla. Kun hyttynen pääsee lähietäisyydelle, se käyttää hyväkseen ihon tuottaamaa lyhyen kantaman tuoksua valitessaan ketä se pistää. Masquita Magnet matkii ihmisen tuoksua muuntamalla patentoidulla katalyyttikonversloteknikalla nestekaasun hiilidioksidiksi ja lisäämällä siihen lyhyen kantaman tuoksua, R-Octenolia.

Hiilidioksidi ja Octenali vebävät puoleensa hyttysiä ja houkuttelevat ne Mosquito Magnetiin. Ansan lähäisyyteen tulevat hyöntaiset ilmaistaan patentoitua CounterFlowTechnology™ -menetelmää käyttäen hyttyspussin, josse ne kuivuvat 24:ssä tunnisse.

Mosquito Magnet on hiljainen ja hajuton. Asianmukaisesti pihalla sijoitettu ansa alkaa toimia välittömästi. **Merkittäviä tuloksia havaittavissa jo 2-4 päivän kuluessa.** Pistävien hyönteisten poistaminen saattaa kestää 4 viikkoa. Jätä Mosquito Magnet pihallesi koko kesäksi pitääksesi hyttysset kurtssa. Ansan tulee olla päällä vuorokauden ympäri.

Laitte houkuttelee ainoastaan pistäviä hyönteisiä: hyttysiä, polttiaisia ja mäkäräisiä. Muita hyönteisiä kuten perhosia, yöperhosia tai mehiläisiä laite ei juurikaan houkuttele.





# Turvaohjeet

## ***Tutustu ohjeisiin Ja varoituksiin ja noudata niitä***

***Varoitus:*** Väärin tehty asennus, säätö tai huolto saattaa aiheuttaa tapaturman tai omaisuusvahinkoja. Lue asennus-, käyttö- ja huolto-ohjeet huolellisesti ennen laitteen

***Huomio:*** Käytä vain laitteen mukana toimitettua tai maahantuöjan hyväksymää ***paineensäädintä***

- Laitetta ei ole tarkoitettu asennettavaksi matkailuvaunuun, autoon tai veneisiin.
- Laitteen ollessa pois käytöstä sulje paineensäädin.
- Voit tarkistaa mahdolliset kaasuvuodot sivelemällä saippualliuosta liitoksiin. Kaasuvuodot näkyvät kuplintana.
- Varmista kaasuletkun kunto ennen laitteen jokaista käyttökertaa. Jos havaitset hiertymiä, kulumisjälkiä tai viiltoja, vaihda letku uuteen ennen laitteen käyttöä. Käytä aina valmistajan suosittelemaa varaosaletkua.
- Laite tulee tarkistaa aina ennen käyttöä. Suosituksena on käyttää ansa valtuutetussa huoltoliikkeessä joka toinen vuosi puhdistuksessa. Ohjausyksikkö ja ilmanottoreiät tulee ehdottomasti pitää puhtaina.
- Pidä ansan polttokammion ilmanottoaukot ja koko ansa vähintään 0,5-0,6 m estäisyydellä rakennuksista ja muista palavista materiaaleista. Älä säilytä tulenarkoja materiaaleja, bensiiniä tai leimahdusherkkiä kaasuja tai nesteitä ansan läheisyydessä.
- Kaasupullon täytyy olla irroitettuna sisätiloissa.



**MOSQUITO MAGNET®**

# Turvaohjeet

- Ansa ei saa käyttää paikoissa, joissa saattaa olla leimahtavia höyryjä tai räjähdysaltista pölyä.
- Pidä aina ilmanotto- ja tuuletusaukot esteettöminä.
- Ansa tulee käyttää ainoastaan hyvin tuuletetuissa ulkotiloissa. Käyttö rakennusten sisällä, autotallissa tai muussa suljetussa tilassa on kielletty.
- Käytä aina kaasupullon kytkemiseen ansan mukana toimitettua paineensäädintä ja kaasulelkua. Varaosina käytettävien paineensäätimien ja kaasulelkujen tulee olla valmistajan määrittämää tyyppiä.
- Älä käytä jalkoletkuja. Pidä kytkennät suojattuna ja vältä letkun vaurioitumista.
- Jos kaasulelku on vaurioitunut, sen vaihto tulee vaaran välttämiseksi jättää valtuutetun huolloliikkeen tehtäväksi.
- Mikäli ansan puhdistus on tarpeen, käytä vedellä kostutettua rättiä.

## ***Nestekaasupullon säilytys***

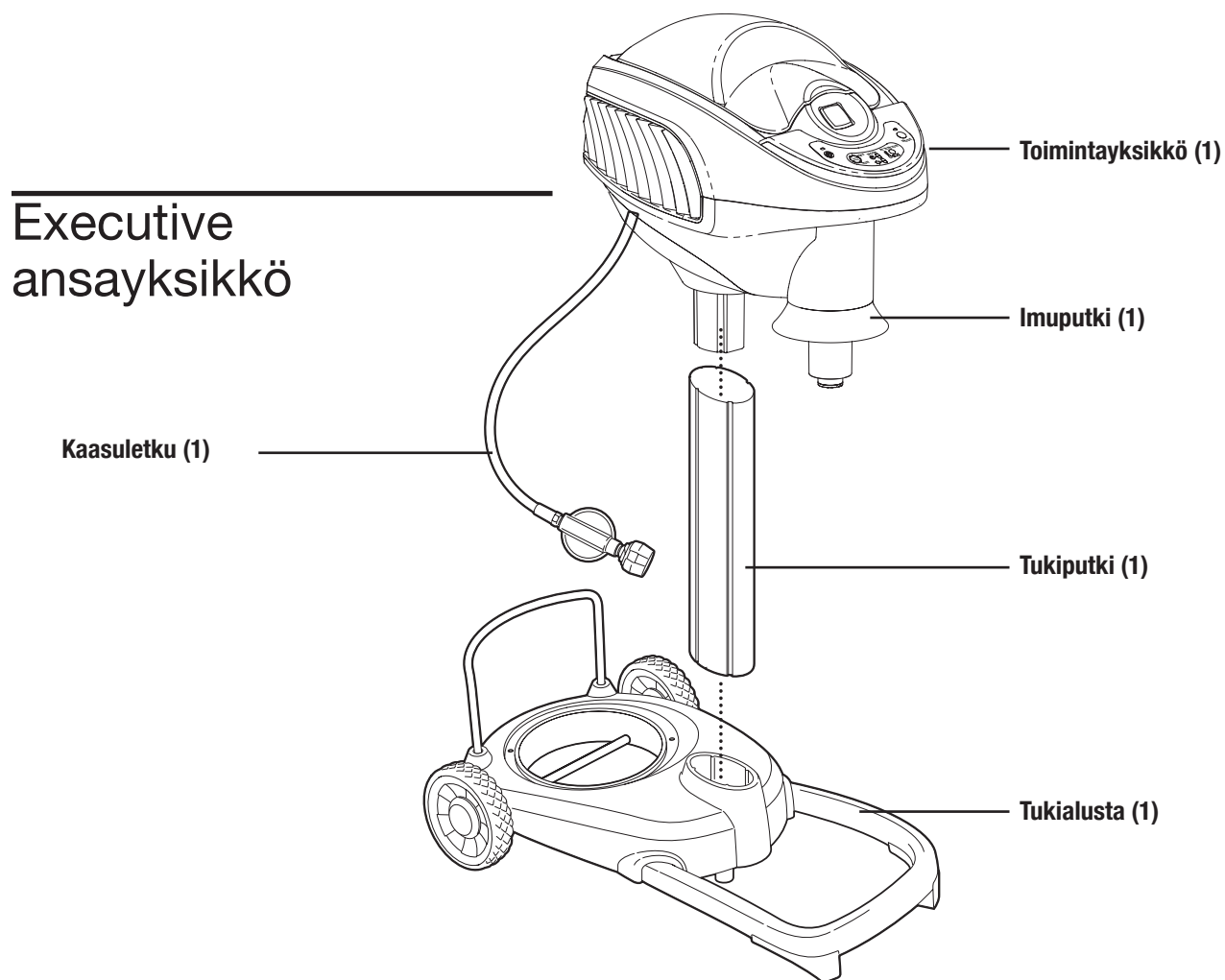
Asuinhuoneistossa ja maanpäällisissä autotalleissa nestekaasua saa säilyttää enintään 15 kg. Suurin sallittu pullokoko on 11 kg. Nestekaasupulloa ei saa säilyttää ullakolla, kellarissa eikä maanalaisissa tiloissa. Nestekaasua ei myöskään saa säilyttää sisällä samassa tilassa, jossa yöpyy ihmisiä. Varastoi pullo aina pystyasennossa paikkaan, jossa se ei pääse kuumenemaan (ei auringonvaloon), eikä ole alttiina mekaaniselle vahingoittumiselle. Nestekaasupullot tulee varastoida lukittuun tilaan tai muuten sellaiseen paikkaan, johon asiattomilta on pääsy kielletty. Nestekaasupullojen varastointi- ja säilytystilan tulee olla asianmukaisesti tuulettuva.

***Vieralle sivustolla***

***[www.mosqultomagnet.fi](http://www.mosqultomagnet.fi)***

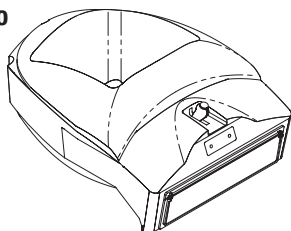


# Laitteen osat

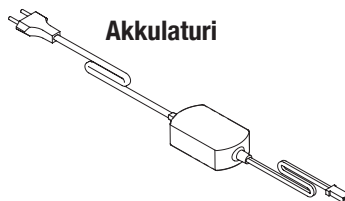


## Mukana toimitetut osat

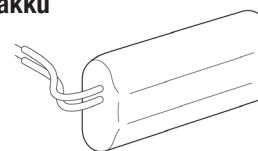
Hyttysverkko



Akkulaturi



Ladattava akku

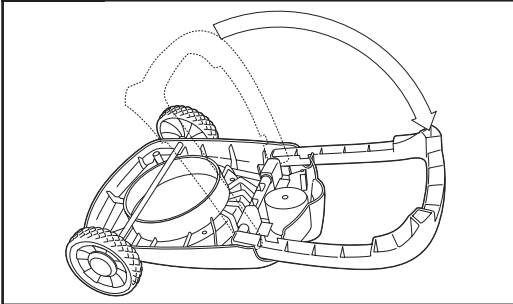


**MOSQUITO MAGNET®**

# Kokoamisohjeet

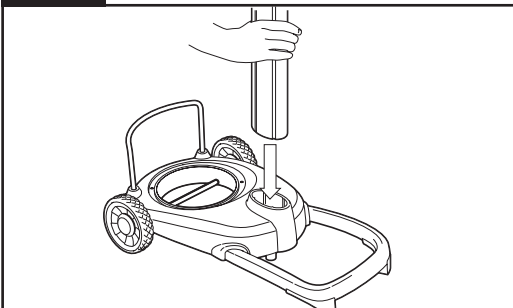
## *Ansan kokoaminen:*

### Vaihe 1



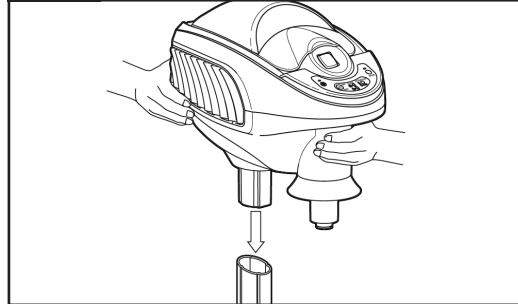
Aseta alusta ylösalaisin tasaiselle pinnalle ja vedä U:n muotoinen jalusjatkke auki asentoon, kunnes se lukittuu paikalleen.

### Vaihe 2



Käännä alusta- ja jalkyhdistelmä oikein päin ja aseta tukiputki alustassa olevaan reikään.

### Vaihe 3



Aseta toimintayksikkö tukiputken yläosaan. Lukitse se paikalleen tukevasti molemmin käsin painaen.

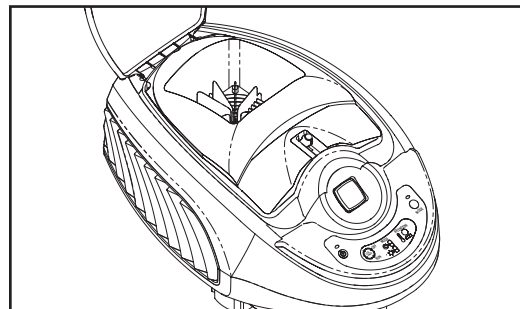
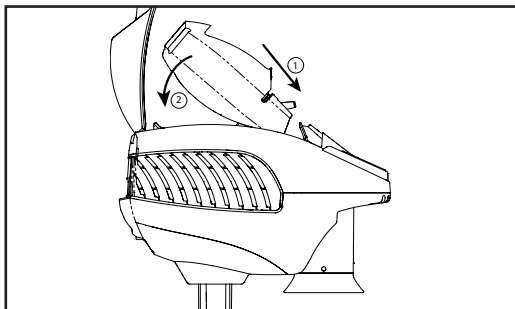
Toimintayksikkö ja imuputki tulee suunnata kohti U:n muotoista jalustaa, eli pois päin pyöristä.

### Vaihe 4

Akku on ladattava täyteen ennen käyttöönottoa. Lisätietoja sivulla 7f.

## *Verkon asentaminen:*

Verkkoa asentaessasi kytke ensin etuosa ja paina sen jälkeen takaosa kevyesti paikalleen.



# Käyttöönotto

## Latausohjeet

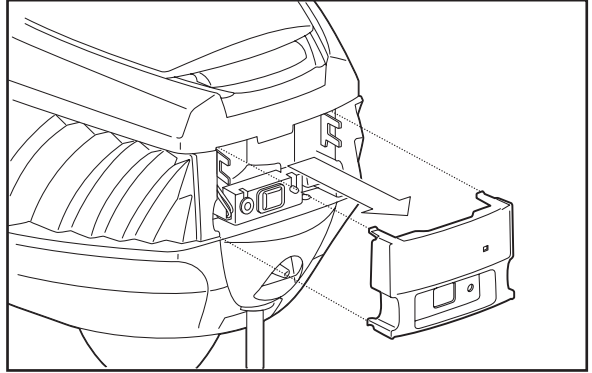
1. Poista toimintayksikön takaosassa oleva suojakansi (se napsahtaa paikoiltaan). Paina akun salpaa ja vedä se pois. Poista akku vetämällä alaosasta ylöspäin ja kiertämällä se pois paikaltaan.
2. Laturi ei sovellu ulkokäyttöön, joten akku on ladattava sisätiloissa.
3. Kytke laturi sisätiloissa olevaan pistorasiaan.
4. Kytke ladattava akku laturiin.
5. Laturin LED-valo palaa punaisena akun latautuessa ja muuttuu vihreäksi, kun akku on täysin latautunut. Lataaminen kestää yleensä alle kaksi tuntia.
6. Laturi on automaattinen ja siirtyy turvalliseen ylläpitolataukseen, kun akku on täysin latautunut. Se ei ylikuormita akkua. Akun käyttöiän pidentämiseksi akkua ei pidä jättää laturiin pitkäksi aikaa.
7. Kun akku on täysin latautunut, irrota se laturista ja asenna takaisin Mosquito Magnet Executive -laitteeseen.
8. Laita yksikön takaosassa oleva suojakansi paikoilleen.

## Ansain sijoitus

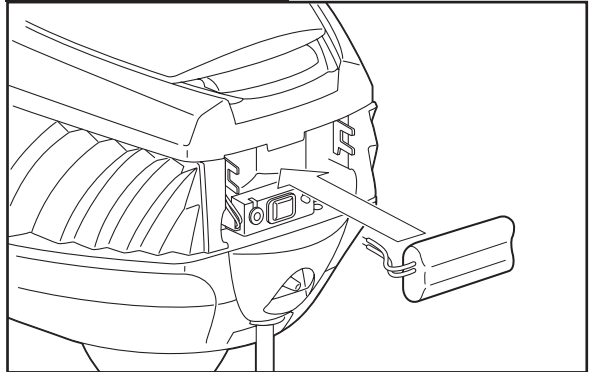
Ansain oikea sijoittaminen on ensiarvoisen tärkeää hyvien tulosten saavuttamiseksi. Kun ansa on sijoitettu oikein, hyttyslentävät siihen, pihalla olavien ihmisten kimppeihin käymisen sijasta. Parhaimpiin tuloksiin päästäksesi seuraa alla olevia ohjeita ansain sijoittamisesta:

1. Selvitä hyttysten kehitymis- ja lepopaikat  
Mosquito Magnet on sijoitettava hyttysten kehitymis- ja lepopaikkojen (seisova vesi, lätäkököt, kuusikot, pensaat jne.) ja ihmisten oleskelualueiden väliin, jotta hyttys saadaan pyydystettyä ennen kuin ne pääsevät ihmisten kimppeihin.
2. Sijoita ansa pois ihmisten luota  
Sijoita ansa lähelle kehitymis- ja lepopaikkoja, kauas ihmisten oleskelualueilta. Normaalisti n. 10-15 metriä on riittävä etäisyys.
3. Sijoita ansa luulen yläpuolella hyttysten kehitymis- ja lepopaikkoihin nähden.  
Hyttyslentävät vastatuuleen etsiessään ateriaa. Kun naarashyttynen on päässyt imemään verta, se painoon tuplantunut ja se liitelee myötätuuleen kehitymispaikalle.
4. Sijoita ansa avoimelle paikalle  
Hiilidioksidi on ilmaa painavampaa ja pysyy tästä syystä lähellä maan pintaa. Jos maastossa on korkeaa heinää tai muuta kasvillisuutta, se heikentää hiilidioksidin ileviämistä ja laitteen tehoa.
5. Sijoita ansa varjoisaan paikkaan.  
Hyttyslentävät eivät pidä auringon lämmöstä ja välttävät aurinkoisia paikkoja lentämistä.

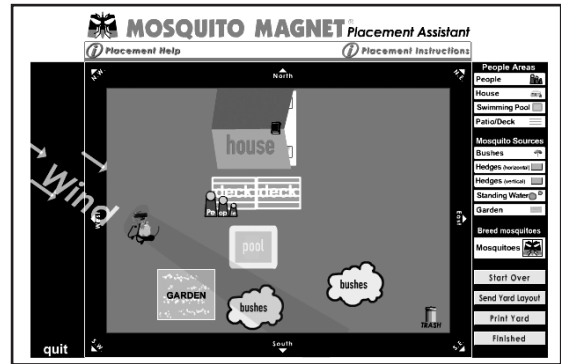
## Poista takakansi



## Kytke akku paikoilleen



**HUOMIO:** Varmista, että kansi on paikoillaan. Ansa ei ole vesitiivis kannen ollessa avoinna.



# MOSQUITO MAGNET®

# Käyttöönotto

## Kaasupullon ja paineensäätimen asennus

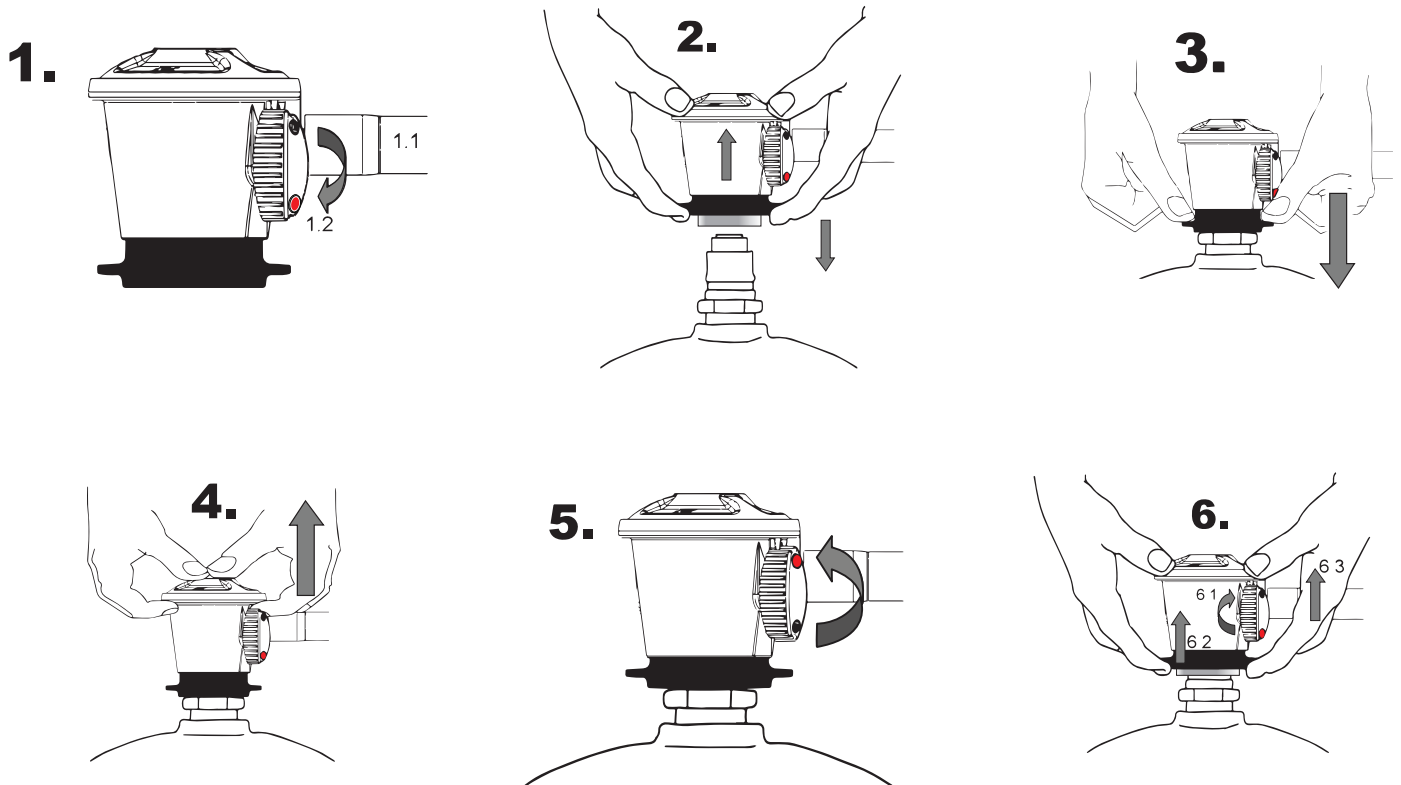
- Kun ansa on asetettu valittuun paikkaan, aseta kaasupullo paikalleen.
- Tarkista kaasupullon venttiilin tiivisteiden kunto. Tämä on syytä tehdä aina kun kytke paineensäätimen nestekaasupulloon.

1. Varmista, että kaasuvirtaus on kiinni (OFF).
2. Vedä säätimen musta kaulus yläasentoon ja paina se pulloventtiilin päälle.
3. Irrota kauluksesta ja paina se peukaloiden avulla alaspäin kunnes säädin asettuu paikalleen. Paineensäätimen asennus ei vaadi erillisiä työkaluja.
4. Tarkista, että säädin on tiukasti kiinnittynyt vetämällä sitä ylöspäin. Säädin ei saa irrota.
5. Käännä kaasuvirtaus auki.
6. Irroitaaksesi säätimen, sulje kaasuvirtaus ja vedä mustaa kaulusta ylöspäin.

**⚠ ÄLÄSIIRRÄ ANSAA KAASUPULLON OLLESSA PAIKALLAAN!**

**ANSAN JA KAASULETKUN VAURIOIDEN VALTTÄMISEKSI LETKU TULEE IRROTTAA PULLOSTA ENNEN ANSAN SIIRTOA.**

**HUOM! TAKUU EI KATA TÄMÄN OHJEEN LAIMINLYÖNNISTÄ AIHEUTUNEITA VAURIOITA.**



# Käyttöohjeet

**\*\*LUE KÄYTTÖOHJE ENNEN KÄYNNISTYSTÄ\*\***

**Lataa akku sivulla 7f olevien ohjeiden mukaisesti.**

## Käynnistysohjeet

Suosittellemme, että luet oppaan kokonaan ennen kuin käynnistät Mosquito Magnet® -ansan.

- Käynnistä ansa painamalla ON/OFF (päällä/pois päältä)-kytkintä kolme sekuntia, kunnes oranssi LED-valo syttyy.
- Näytössä näkyy RUN (käynnissä). Näytössä vilkkuvat myös WARM (lämpenee) ja nuolet. ON/OFF-kytkimen yläpuolella oleva LED-valo palaa oranssina.
- Tuulettimen nopeus kiihtyy hitaasta nopeaan noin 3 minuutissa.
- Näytössä vilkkuu WARM (lämpenee) ja LED-valo palaa oranssina noin 15-25 minuuttia ansan lämmitessä.
- Kun ansa on saavuttanut käyttölämpötilan, LED-valo muuttuu vihreäksi ja WARM (lämpenee) katoaa näytöstä.

## Sammutusohjeet

Ansa sammutetaan ON/OFF-kytkimestä painamalla. Näytössä näkyy RUN (käynnissä). Näytössä vilkkuvat myös COOL (jäähdytys) ja nuolet. LED-merkkivalo on vihreä. Kahden minuutin jäähdytymisen jälkeen tuuletin pysähtyy, LED-valo sammuu ja näytössä näkyy OFF.

## Laitteen ollessa pois käytöstä

Jos laite ei ole käytössä, sulje kaasuvirtaus. Ansan säilyttäminen sisätiloissa on sallittua vain, mikäli kaasupullo on poistettuna.

## Varastointi hyttyskauden päättyessä

Tarkista yllä olevat sammutusohjeet ennen kaasupullon venttiilin sulkemista ja säätimen irrottamista. Sulje kaasupullon venttiili ja irrota säädin. Kytke myös akku irti, mutta jätä se ansaan.

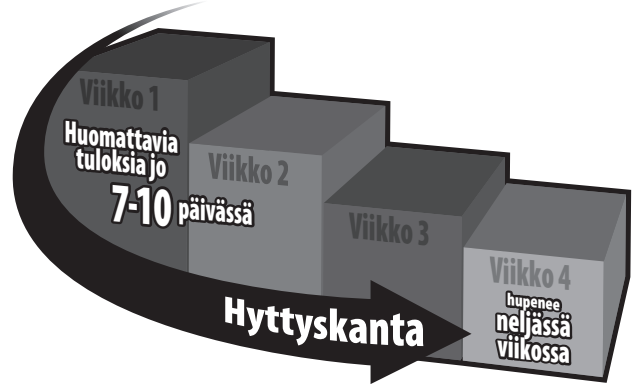
Avatut Mqsquito Magnet® R-Octenol-pakkaukset tulee poistaa ja hävittää. Katso ohjeet pakkauksesta.

**SÄILYTYS:** Käyttökauden jälkeen ansaa tulee säilyttää autotallissa, varastossa tai muussa sisätilassa, jossa on talvenkin aikana lämpöastetta. Tämä estää ansan elektroniikan vaurioitumisen sekä hapettumien muodostumisen polttimen sisälle. Peitä ansa talvisäilytyksen ajaksi tiiviillä pussilla, jolloin hämähäkit, pöly sekä muut epäpuhtaudet eivät pääse ansan sisälle.

## Parhaan tuloksen saaminen

**(ansan on oltava päällä vuorokauden ympäri)**

- Ansa aloittaa pyydystyksen välittömästi. Tuloksia havaittavina Jo 2-4 päivän kulueua. Pistävien hyönteisten poistaminen saattaa kestää 4 vikkoa.



- Anna ansan jäähtyä 5 minuuttia ennen uudelleenkäynnistystä.
- Älä sumuta hyönteismyrkkyä ansaan tai sen läheisyyteen.
- Ansa toimii sateesta huolimatta, mutta älä sijoita sitä suoraan vesilähteen (sadetin, letku, jne.) viereen.
- Sammuta ansa ennen pihasi kalkitsemista tai lannoitusta, jotta pöly tai lannoitesumu ei imeilyisi hyttysverkkoon aiheullamaan tukoksia.

**Varoitus:** Väärin tehty asennus, säätö, muutokset tai huolto saattaa aiheuttaa tapaturman tai omaisuusvahinkoja. Lue asennus-, käyttö- ja huolto-ohjeet huolellisesti ennen ansan laitteen käyttöä tai huoltoa.

**Huomio:** Käytä vain laitteen mukana toimitettua kaasunpaineensäädintä. **Sen antopaine on 29mbar.**

**Laitteen ollessa pois käytöstä tulee kaasuvirtaus sulkea matalapaineventtiilillä.**



# MOSQUITO MAGNET®

# Älykäs tekniikka

## Kaasunsäästöasetukset

Ansaa voi käyttää joko keskeytyksettä tai yhdessä neljästä kaasua säästävistä masta, jotka voivat lisätä kaasupullon käyttöikä. Pullo kestää 21 vuorokautta, jota suositellaan parhaan mahdollisen tuloksen saavuttamiseksi. Alla oleva kaavio näyttää kaasun kulutuksen eri käyttötiloissa.

Käyttö säästötilassa	Pullon käyttöikä*	Suljettuna päivällä	Suljettuna yöllä
Tila 1	22 vrk	1 t	1 t
Tila 2	24 vrk	2 t	2 t
Tila 3	27 vrk	3 t	3 t
Tila 4	30 vrk	4 t	4 t

\* Perustuu 11 kg:n nestekaasupulloon

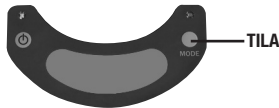
Säästötilassa kaasuvirtaus keskeytetään keskellä päivää ja yötä. Tutkimusten mukaan hyttysset ovat näinä aikoina vähiten aktiivisia.


## Huomio:

“Smart Technology” -järjestelmä oppii automaattisesti vuorokausi rytmin 24 tunnin aikana ollessaan energiasäästötilassa. Järjestelmässä käytetty valoanturi opettaa ansan säätämään seisahdukset auringonnousun ja-laskun mukaan ajan kuluessa.




## Nestekaasun säästötilat

1. Valitse säästötila painamalla MODE-painiketta.

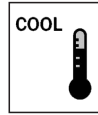


2.  Joka kerta kun MOOE-painiketta painetaan, tila siirtyy yhden asteen vaihtoehtojen 1, 2, 3, 4, Off, 1 jne. välillä.

3. Tilassa 1 ansa pysähtyy yhdeksi tunniksi keskellä päivää ja yhdeksi tunniksi keskellä yötä. Tiloissa 2, 3 ja 4 pysähdysajat ovat vastaavat 2, 3 ja 4 tuntia.

4.    Kun ansa on sääsliitilassa, nuolet vilkkuvat ja vihreä LED-valo on sammunut Päivällä vilkkuu lisäksi aurinkoa vastaava symboli ja yöllä kuu-symboli. Tuuletin jalkaa toimintaa hitaammalla nopeudella, mikä estää hyttysten pakoon pääsyn, mutta ansa ei pyydystä uusia hyttysiä.

5. Kun ansa on asetettu säästötilaan, on akku irrotettava ja kytettävä uudellen aina kaasupulloa vaihdettaessa. Säästöajastimen nollaaminen vaalii akun irrottamisen.



## Pysähtyminen kylmässä lämpötilassa

Ansassa on lämpötila-anturi, joka ei anna ansan käynnistyä, ja sammuttaa ansan automaattisesti, kun ulkolämpötila ja ansan

sisälämpötila ovat alle 10°C. Tutkimukset ovat osoittaneet, että hyttysset eivät ole aktiivisia tällaisessa lämpötilassa.

Jos ansa on käynnissä (näytössä näkyy RUN (käynnissä) ja vihreä LEO-valo palaa) ja lämpötila putoaa alle 10 °C:n, ansa pysähtyy. Kun ansa on jäähtymistilassa, näytössä vilkkuvat sana COOL (jäähtyy) ja lämpömittarin kuva. Ansa käynnistyy uudelleen, kun lämpötila-anturi tunnistaa lämpötilan olevan yli 13 °C. Jos ansa on lämpenemässä, se pysähtyy, jos lämpötila on alle 10 °C, mutta ei käynnisty uudelleen automaattisesti.



## Akun alhaisen varaustason varoitus

Akun kuva ja ATENTION vilkkuvat, kun akku vaatii uudelleen latausta.

## Lapsi/ukko

ON/OFF-kytkintä on painettava täydet 3 sekuntia ansan käynnistämiseksi.





# Kunnossapito

## Kaasunsäästötiloja

Jos käytät kaasunsäästötiloja, muista muuttaa päivä määrät alla olevassa kaaviossa (ks. sivulla 11 oleva kaavio huoltoaikataulun sopeuttamiseksi käyttötilaan).

### • 21 päivin huottojakso

- Vaihda uusi kaasupullo (11 kg Kaasupullo kestää noin 21 päivää ansan ollessa jatkuvasti toiminnassa).
- Vaihde R-Octenol-tehosteaine Katso ohjeet pakkauksesta.
- Tyhjennä tai vaihda hyttysverkko 2-5 pv välein.
- Puhdista ansan ulkopinnat silloin tällöin kasteella rätillä.
- Lataa akkua 24 tuntia hyttyskaudan alussa.

Huom! Hämähökit otekelavat ja pesivät mieluummin ansan sisällä sen ollessa poissa toiminnasta. Hämähäkkien verkot ja seitit vaikuttavat olennaisesti ansan toimintaan ja käyttöikänsä. Estä hämähäkkien pääsy laitteeseen tiivillä pussilla, kun ansa ei ole käytössä.

## Vihieitä kaasupullon vaihtoon

Yhdistäessäsi paineensäätimen pullonvaihdon jälkeen, varmista, että se on asianmukaisesti kinnitettynä paikalleen. Älä käytä työkaluja, paina säätimen kaulus tiukasti pullon päälle käsin.






Mikäli paineensäädin ei ole kunnolla kiinnitelly, kaasuvirtaus voi estyä ja ansa rapormi kaasupullon olevan yyhjä. Mikäli näin tapahtuu, kytke ansa pois päältä, sulje paineensäädin ja irrota letku pullosta. Kiinnitä paineensäädin takaisin ja yritä uudelleen.

- Puhdista laitteen Imukanavat hämähäkinsaltelsta sekä muista epäpuhtauksista, jokaisen käyttökerran jälkeen.
- Ansan sisällä kertyy aina joitakin hyttysiä. Puhdista ansan sisäosa imurilla sivuntilan ja hyttysverkon kautta.



# MOSQUITO MAGNET®

# Vianmääritys

On elma	Mahdollinen syy	Korjaustoimet
<p><b><i>Laite ei käynnisty Laite ei pysy käynnissä</i></b></p> <p><b>LCD</b></p>  <p><b><i>LED - Punainen LED vilkkuu 7 sekunnin välein</i></b></p>	<ol style="list-style-type: none"> <li>1. Kaasupullo saattaa olla tyhjä.</li> <li>2. Liitin saattaa olla löysällä.</li> <li>3. Verkko voi olla täynnä tai tukkeutunut.</li> </ol>	<ol style="list-style-type: none"> <li>1. Punnitse pullo ja vertaa tyhjäpainoon.</li> <li>2. Irroita liitin ja kytke se kaasupulloon uudelleen.</li> <li>3. Vaihda tai puhdista verkko.</li> </ol>
<p><b><i>Laite ei pysy käynnissä</i></b></p> <p><b>LCD</b></p>  <p><b><i>LED - Punainen/oranssi LED vilkkuu 7 sekunnin välein</i></b></p>	<ol style="list-style-type: none"> <li>1. Akkujännite on matala.</li> </ol>	<ol style="list-style-type: none"> <li>1. Lataa akku ennen ensimmäistä käyttöä ja jokaisen kauden alussa. LED-valo palaa vihllänä, kun akku on täysi.</li> <li>2. Tarkista akun liitin ja varmista, että liitin on kokonaan sisään työnnettyä.</li> <li>3. Jos täysin ladattu akku näyttää alhaista jännitettä, lataa akku uudelleen tai vaihda uuteen.</li> </ol>
<p><b><i>Laitteen pysähtyminen</i></b></p> <p><b>LCD</b></p>  <p><b><i>LED - Punainen/vihreä LED vilkkuu 7 sekunnin välein</i></b></p>	<ol style="list-style-type: none"> <li>1. Korkea lämpötila.</li> </ol>	<ol style="list-style-type: none"> <li>1. Pysäytä ansa ja anna sen jäähtyä tunnin ajan.</li> </ol>
<p><b><i>Laitteen pysähtyminen</i></b></p> <p><b>LCD</b></p>   <p><b><i>LED - välähtää punaista kaksi kertaa 7 sekunnin välein</i></b></p>	<ol style="list-style-type: none"> <li>1. Termistorivika.</li> </ol>	<ol style="list-style-type: none"> <li>1. Ota yhteys lähimpään huoltoliikkeeseen tai maahantuajaan.</li> </ol>
<p><b><i>Laitteen pysähtyminen LED - palaa punaisena</i></b></p>	<ol style="list-style-type: none"> <li>1. Sähkövika.</li> </ol>	<ol style="list-style-type: none"> <li>1. Ota yhteys lähimpään huoltoliikkeeseen tai maahantuajaan.</li> </ol>
<p><b><i>Matala tai olematon pyydystystulos</i></b></p>	<ol style="list-style-type: none"> <li>1. Hyönteisiä ei ole vielä.</li> <li>2. Ansa voi olla väärässä paikassa.</li> <li>3. Pistävien hyönteisten lisääntymisjaksoja ei ole vielä rikottu.</li> <li>4. Ulostuloilman virtaus saattaa olla estynyt.</li> </ol>	<ol style="list-style-type: none"> <li>1. Varmista, että lämpötila on jatkuvasti yli 10 °C.</li> <li>2. Noudata ansan mukana tulleen käyttöoppaan osassa "Ansan sijoittaminen".</li> <li>3. Käytä ansaa jatkuvasti ympäri vuorokauden vähintään neljän viikon ajan hyttyskannan vähentämiseksi.</li> <li>4. liman virtaus saattaa olla estynyt. Ota yhteys lähimpään huoltoliikkeeseen tai maahantuajaan.</li> </ol>





**MOSQUITO MAGNET<sup>®</sup>**