

# Predator Dynamic



## User Manual

**Congratulations on your new Predator Dynamic – the latest in effective mosquito-extermination-systems, incorporating decades of research and development.**

The predator Dynamic is probably the most powerful trap in the market today. It has been developed to attract female mosquitoes in large areas, and will make sure mosquito colonies in your vicinity will deteriorate and in many cases be extinguished altogether. Our goal was to create a dynamic multi-platform that can attract

the majority of mosquitoes species. The Predator Dynamic is adjustable in height. It can go low to attract the fast and low flying Aedes (Asian Tiger Mosquito), in mid position it is tuned for Culex (most common mosquitoes). At its highest position it is in perfect altitude for most Midges and Gnats.

**Visit [www.predatormosquitotraps.com](http://www.predatormosquitotraps.com) for instructional videos and support!**

**WARNING**

FOR YOUR SAFETY:

- For Outdoor Use Only (outside any enclosure)

**WARNING**

FOR YOUR SAFETY:

- Keep out of reach of Children

**WARNING**

FOR YOUR SAFETY:

- Read the label and these instructions before using.

**WARNING**

FOR YOUR SAFETY:

1. Improper installation, adjustment, alteration, service or maintenance can cause injury or property damage.
2. Read the installation, operation, and maintenance instructions thoroughly before installing or servicing this equipment.
3. Failure to follow these instructions could result in fire or explosion, which could cause property damage, personal injury, or death.

**DANGER**

If you smell gas:

1. Shut off gas to appliance.
2. Extinguish any open flame.
3. If odor continues, keep away from the appliance immediately and call your gas supplier or your fire department.

**WARNING**

FOR YOUR SAFETY

1. Do not store or use gasoline or other flammable liquids or vapors in the vicinity of this or any other appliance.
2. A gas cylinder not connected for use shall not be stored in the vicinity of this or any other appliance.

**DANGER**

Failure to follow the dangers, warning and cautions in this manual may result in serious bodily injury or death, or in a fire or an explosion causing damage to property.

**WARNING**

1. This Predator Dynamic is for outdoor use only, and shall not be used in a building, garage, or any other enclosed area.
2. Do NOT operate, light or use this appliance within 3 meters/8 feet of walls, structures, buildings or combustible materials.
3. It is a violation of Federal law to use this product in a manner inconsistent with its labeling.
4. This Predator Dynamic is NOT for commercial use.
5. This Predator Dynamic is for use with gas only. The conversion to or attempted use of natural gas in this Predator Dynamic is dangerous and will void your warranty.
6. Gas Characteristics:
  - a. Gas is flammable and hazardous if handled improperly. Become aware of the characteristics before using any gas product.
  - b. Gas is explosive under pressure, heavier than air, and settles and pools in low areas.
  - c. Gas in its natural state has no odor. For your safety, an odorant is added that smells like rotten cabbage.
  - d. Contact with gas can cause freeze burns to skin.
7. Gas tank needed to operate. Only tanks marked LPG, Butane and Propane gas are suitable for this unit.
  - a. The gas supply tank must be constructed and marked in accordance with the Specifications for gas Cylinders in your country. In the U.S. Department of Transportation (DOT) or the National Standard of Canada, CAN/CSA-B339, Cylinders, Spheres and Tubes for the Transportation of Dangerous Goods; and Commission.
  - b. Gas tank must be arranged for vapor withdrawal.
  - c. The gas tank must have a listed overfilling prevention device (OPD).
  - d. Only use cylinders equipped with a cylinder connection device compatible with the connection for outdoor cooking appliances.
  - e. The gas tank must have a tank collar to protect the tank valve.
  - f. Never use an gas tank with a damaged body, valve, collar, or footing.
  - g. Dented or rusted gas tanks may be hazardous and should be checked by your gas supplier prior to use.
  - h. The gas tank should not be dropped or handled roughly.
  - i. Tanks must be stored outdoors out of the reach of children and must not be stored in a building, garage, or any other enclosed area. Your tank must never be stored where temperatures can reach over 60°C/125°F.
  - j. Never keep a filled gas tank in a hot car or car trunk. Heat will cause the gas pressure to increase, which may open the relief valve and allow gas to escape.
  - k. Place dust cap on cylinder valve outlet whenever the cylinder is not in use. Only install the type of dust cap on the cylinder valve outlet that is provided with the cylinder valve. Other types of caps or plugs may result in leakage of propane.
  - l. Do not store a spare gas tank under or near this appliance.
  - m. Never fill the tank beyond 80 percent full.

- n. A fire causing, serious injury or damage to property may occur if the above is not followed exactly.
- o. Always transport your tank in a secure, well-ventilated location in your vehicle. gas tank should be upright with valve turned off. Gas tank should be taken directly to and from place of use.
8. Never attempt to attach this Predator Dynamic to the self-contained gas system of a camper trailer, motor home, or house.
9. The use of alcohol, or prescription or non-prescription drugs may impair the consumer's ability to properly assemble or safely operate the appliance.
10. Your Predator Dynamic has been checked at all factory connections for leaks. Recheck all connections, as movement in shipping can loosen connections.
11. Check for leaks even if your unit was assembled for you by someone else.
12. Do not operate if gas leak is present. Gas leaks may cause a fire or explosion.
13. You must follow all leak-checking procedures before operating. To prevent fire or explosion hazard when testing for a leak:
  - a. Always perform leak test before lighting the Predator Dynamic and each time the tank is connected for use.
  - b. No smoking. Do not use or permit sources of ignition in the area while conducting a leak test.
  - c. Conduct the leak test outdoors in a well-ventilated area.
  - d. Do not use matches, lighters, or a flame to check for leaks.
  - e. Do not use Predator Dynamic until any and all leaks are corrected. If you are unable to stop a leak, disconnect the gas supply. Call a gas appliance service-man or your local gas supplier.
14. Do not store or use gasoline or other flammable liquids or vapors within 8 meters/25 feet of this appliance.
15. Do not use in an explosive atmosphere. Keep Predator Dynamic area clear and free from combustible materials, gasoline and other flammable vapors and liquids.
16. Minimum clearance from sides and back of unit to combustible construction, 50 centimeters/21 inches from side and 50 centimeters/21 inches from back. Do not use this appliance under overhead combustible surfaces.
17. It is essential to keep the Predator Dynamic's valve compartment, burners, and circulating air passages clean. Inspect Predator Dynamic before each use.
18. Do not alter Predator Dynamic in any manner.
19. Do not use the Predator Dynamic unless it is COMPLETELY assembled and all parts are securely fastened and tightened.
20. This Predator Dynamic should be thoroughly cleaned and inspected on a regular basis. Clean and inspect the hose before each use of the appliance. If there is evidence of abrasion, wear, cuts, or leaks, the hose must be replaced prior to the appliance being put into operation.
21. Use only the regulator and hose assembly provided. The replacement regulator and hose assembly shall be that specified by the manufacturer.
22. Use only Amplecta/Predator Dynamic factory authorized parts. The use of any part that is not factory authorized can be dangerous. This will also void your warranty.

23. Do not use this appliance without reading "Operating Instructions" in this manual.
24. Do not install or use in or on boats or recreational vehicles.
25. Product performance can vary due to weather, wind and other environmental conditions.
26. Never lean over the Predator Dynamic when lighting.
27. Do not attempt to move Predator Dynamic when in use. Allow the Predator Dynamic to cool before moving or storing.
28. Storage of Predator Dynamic indoors is permissible only if the tank is disconnected, removed from the Predator Dynamic and properly stored outdoors.
29. Do not attempt to disconnect the gas regulator from the tank or any gas fitting while the Predator Dynamic is in use.
30. Do not use Predator Dynamic for indoor cooking or heating. TOXIC fumes can accumulate and cause asphyxiation.
31. After a period of storage and/or nonuse, check for leaks, burner obstructions and inspect for any abrasion, wear, cuts to the hose.
32. If Predator Dynamic is not in use, the gas must be turned off at the supply tank.
33. Keep air intake areas clear of dust, dirt and debris
34. Do not allow children to operate or play near a Predator Dynamic device when it is in use.
35. Inspect for damage and wear during each maintenance cycle at least once per month and each time the cylinder changed.
36. It is recommended to use only Rapid Action™ mosquito attractant in your Predator Dynamic. The use of other attractants has not been tested with your product, and void your warranty.
37. Maximum inlet gas supply pressure: See Fuel and Gas pressure specification for your country on page 11.
38. Deaths, serious injury or damage to property may occur if the above is not followed exactly.

**Please retain user's manual for future reference.**

If you are assembling this unit for someone else, give this manual to him or her to read and save for future reference.

**Important Information**

Your Predator Dynamic device operates 24 hours a day to help reduce the nuisance of mosquitoes. It attracts female mosquitoes that are seeking a blood meal to nourish their eggs. By removing these females you also remove their eggs.

**This Product will provide the following results when used as directed:**

- Attract, trap and kill mosquitoes

**This product is not capable of:**

- Completely eliminating mosquito populations
- Eliminating the possibility of disease from mosquitoes
- For best results, keep your Predator Dynamic running continuously, and replace the propane cylinder as soon as it is empty.
- Begin operating your Predator Dynamic device once low temperatures remain above 10°C (50°F).
- To reduce and maintain mosquito populations it is important for your Predator Dynamic device to operate continuously. Do not turn off the gas tank valve until your Predator Dynamic turns off, then immediately replace the empty tank with a full tank of propane.
- Always contact our experts before returning product to place of purchase.

**Important Information about the attractant**

Your Predator Dynamic device includes an attractant that contains octenol (1-octen-3-ol). This non toxic pesticide is an effective attractant supplement for some mosquito species.

**KEEP OUT OF REACH OF CHILDREN**

CAUTION: Harmful if swallowed, absorbed through the skin or inhaled. Avoid contact with skin, eyes and mouth. Wash hands thoroughly with soap and water after handling.

**Important Information about ultraviolet light**

This device radiates intense ultraviolet (UV) light when operated. CAUTION: Do not look directly at the device during operation. Exposure to UV light, even for a brief period, can damage your eyes.

Always contact our experts before returning product to place of purchase.

**Table of content**

Precautions ..... 2–3  
 How it works..... 3  
 Assembly instructions ..... 4–8  
 Trap placement guide ..... 9  
 Operation instructions ..... 10  
 Warranty ..... 10–11  
 Troubleshooting ..... 11  
 Fuel and Gas pressure specification ..... 11

**How it works**

The Predator Dynamic mimics a perspiring person, with 6 cues to attract female mosquitoes:

- Breath (CO<sub>2</sub>: moist and heat)
- Heat (body skin temperature)
- Sweat (Rapid Action Attractant)
- Movement (Blinking LED light)
- Water trap (Wet tray in collector)
- Light (attracts 360 degrees using UV-LED lights)

It catches the mosquitoes in two ways:

- Strong vacuum fan that sucks the insects in and dehydrates them to die
- Rapid Action Sticky Paper: Powerful glue Trap with contrast pattern

Not all mosquitoes are attracted to basic Octenol. We have therefore added an extra large multi-attractant chamber under the hat. Here you can fit all Rapid Action attractants as well as those of our competitors' or your own, whichever you prefer. The Predator Dynamic will concentrate attracting scent of the attractant close the strong vacuum inlet where the mosquitoes are sucked in.

**Rapid Action Octenol (Blue):**

Mosquito, midge, gnat, biting flies / Northern Europe, northern US and Canada

**Rapid Action Fusion Octenol (Green):**

Mosquito, midge, gnat, asian tiger mosquito / Europe and north America

**Rapid Action Asian Tiger (Red):**

Asian Tiger mosquito / South Europe and south US

**Rapid Action Culex<sup>10</sup> (Orange):**

Mosquito, midge, gnat, biting flies / Europe and north America (only with CO<sub>2</sub>)

**Insect collector and Water trap**

Most mosquitoes do not like dry areas and are attracted to water. Your Predator Dynamic has a tray in the bottom of its collector. We recommend you always keep the water trap tray filled with water. Add a (1) drop of a liquid soap to break the water surface tension. Adult mosquitoes do not float on the surface and will drown instantly when they hit the water. Do not use tap water as it often contains chlorine which repels mosquitoes. Use rain water or filtered water only.

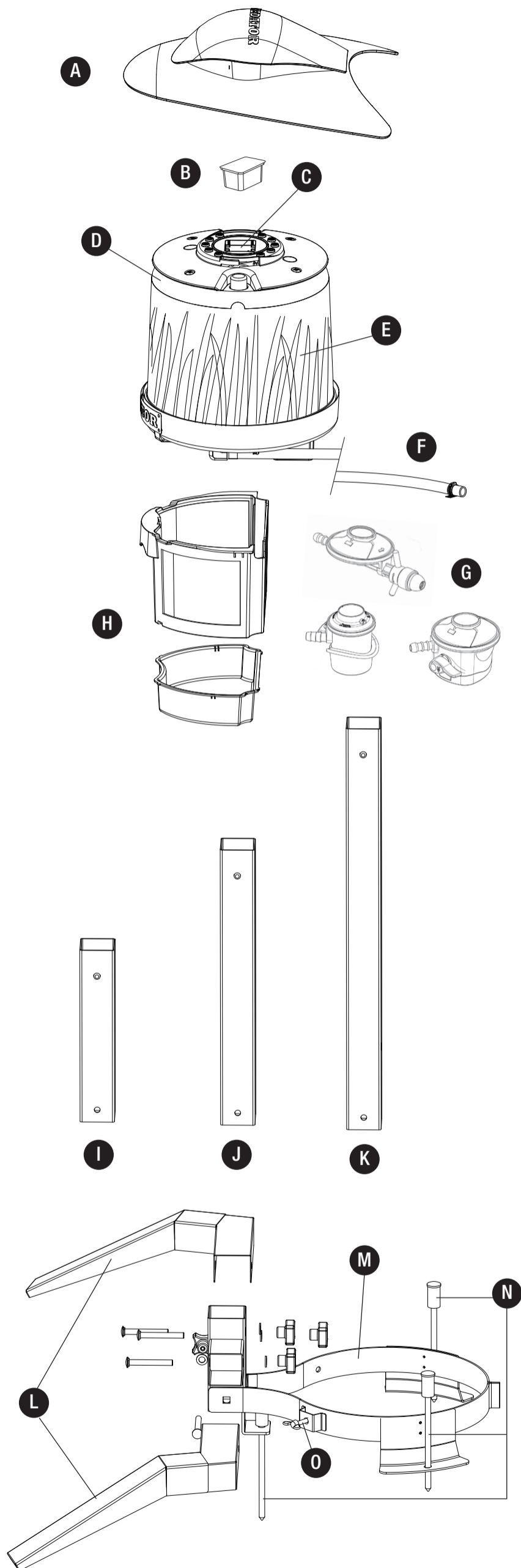
**Be patient**

All mosquito traps need a couple of days to settle into an environment. If you do not reach satisfactory results in one location and want to move the trap, wait at least 3 days and watch for the catch rates to increase. Do not open the catch collector if you do not have to empty, clean or fill it with water. If you have tried changing locations during more than 2 weeks we suggest you try another type of lure. Your local mosquito species might not be attracted to standard attractants. You can find out more about attractants at [www.rapidactionbiotech.com](http://www.rapidactionbiotech.com). Bushes and grass are good surroundings as the scents from the Predator will build up around the leaves. Once you have found the "sweet spot" for your trap you can keep it in the same location for the rest of the season. It will break down the mosquito colony over time.

Most common mistakes are to put the trap in a windy place, try to find a calm location. Avoid direct sunlight as it will dry out the lures and mosquitoes do not like to fly in the sun.

Visit our web page [www.predatormosquitotraps.com](http://www.predatormosquitotraps.com) for more information tips, blogs and videos. Here you can also buy accessories, spare parts and user manuals.

We wish you every success with your new Predator Dynamic mosquito trap and hope you will enjoy less mosquitoes and more outdoor fun for years to come.



**For Easiest Assembly:**

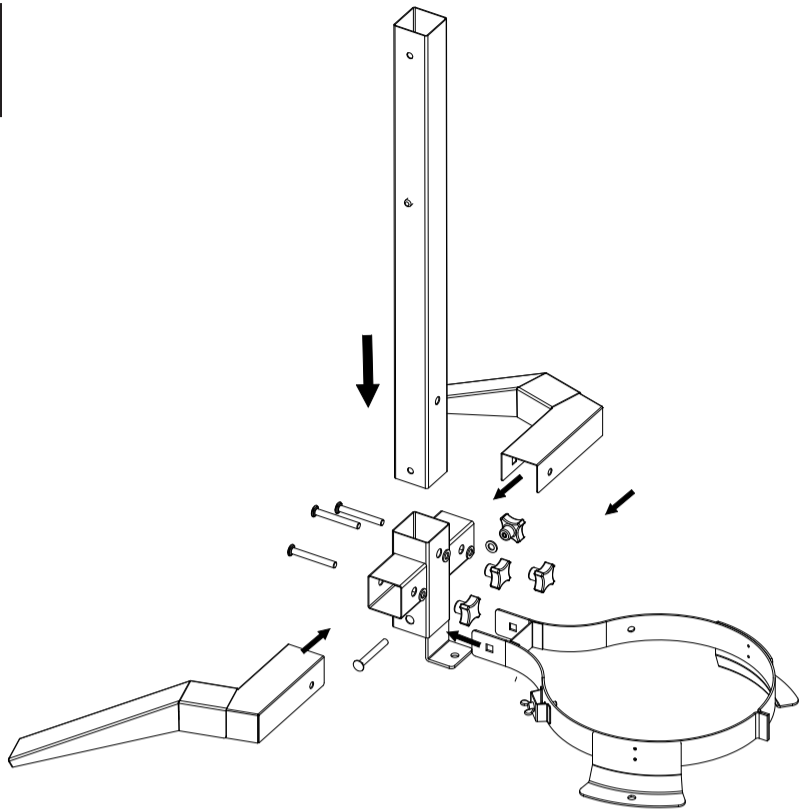
- To avoid losing any small components or hardware, assemble your product on a hard level surface that does not have cracks or openings.
- Clear an area large enough to layout all components and hardware.
- When applicable, tighten all hardware connections by hand first. Once the step is completed go back and fully tighten all hardware.
- Follow all steps in order to properly assemble your product. To complete assembly you will need:
- (1) Leak Detection Solution (Instructions on how to make solution are included in "Operating Instructions" section)
- (1) precision-filled standard grill gas tank with external valve threads.

Note: You must follow all steps to properly assemble your Predator Dynamic.

**Typical assembly: approximately 30 minutes.**

- A. Hat
- B. Rapid Action Attractant (remove sealing before use)
- C. Multi attractant compartment
- D. CO<sub>2</sub> Engine
- E. Rapid Action Sticky Paper
- F. Gas hose and hoseclamp
- G. Country specific regulator (see specifications page 11)
- H. Insect collector and Water trap
- I. Pole: Asian Tiger mosquito mode
- J. Pole: Mosquito mode (standard)
- K. Pole: Midge and Gnat mode
- L. Legs
- M. Gas tank base
- N. Anchor stakes
- O. Safety lock
- P. Gas tank 10 kg (recommended)

1

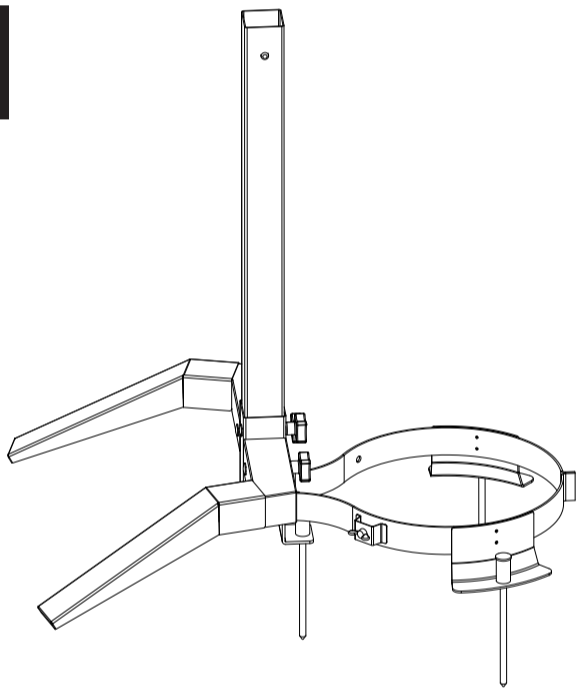


**Base assembly:**

Select preferred pole I, J or K depending on target and local conditions (see previous page for more information).

Secure all bolts tightly.

2

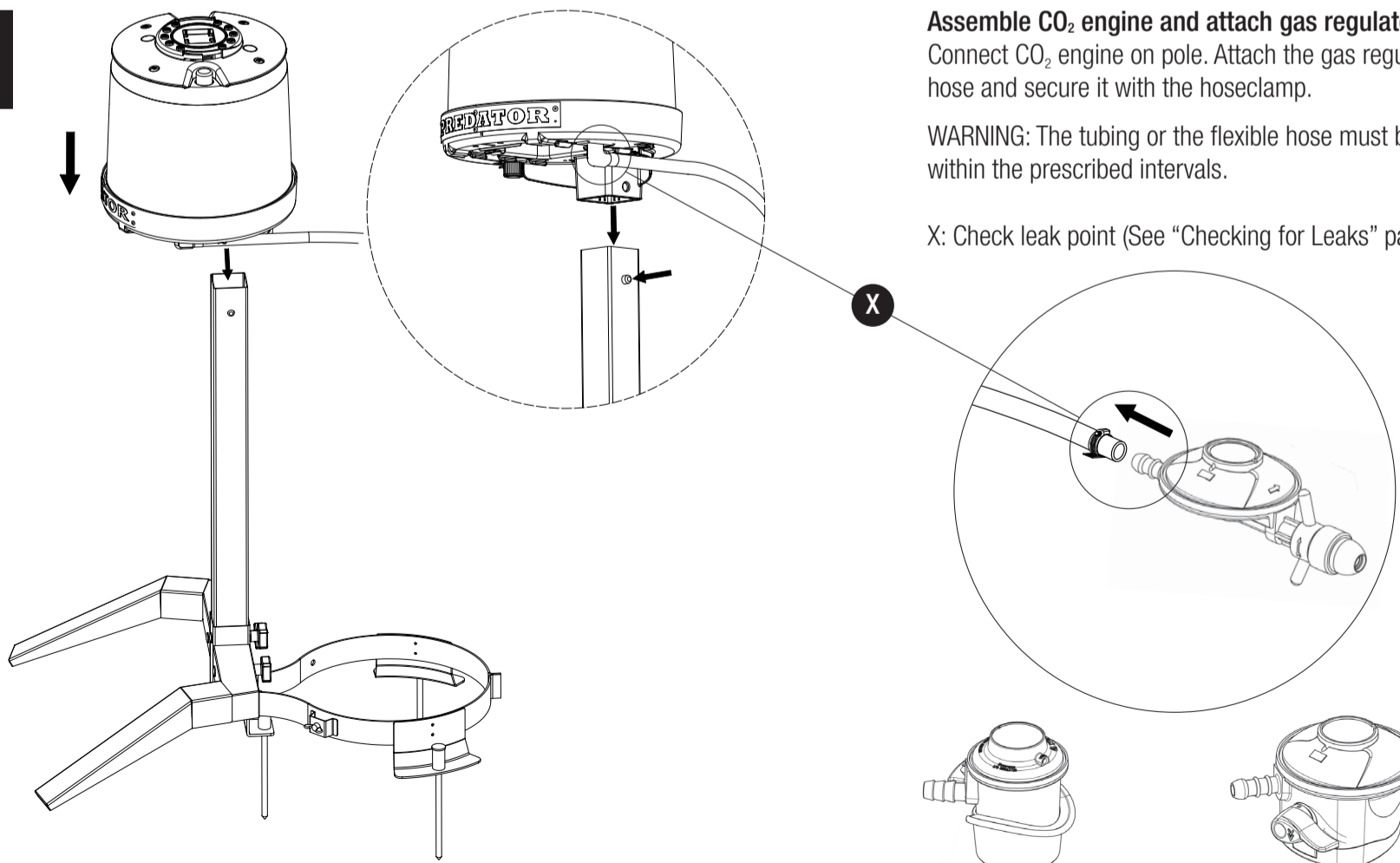


**Base placement:**

When the base is assembled put it in your preferred location. Anchor it to the ground with the stakes.

Learn more about the optimal placement on page 9.

3

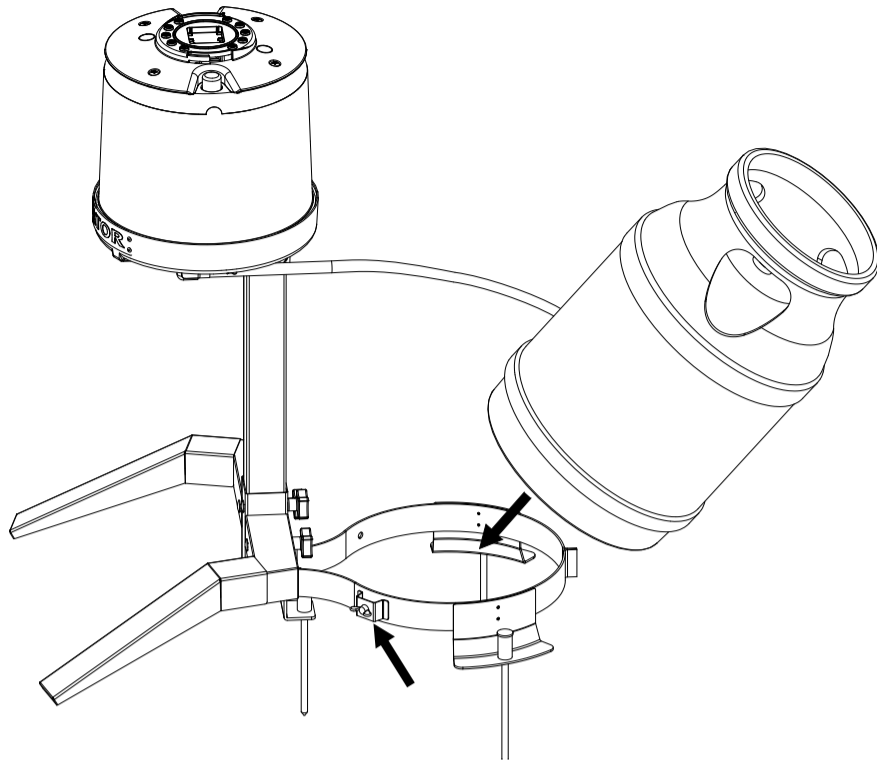


**Assemble CO<sub>2</sub> engine and attach gas regulator on hose:**  
Connect CO<sub>2</sub> engine on pole. Attach the gas regulator on the hose and secure it with the hoseclamp.

WARNING: The tubing or the flexible hose must be changed within the prescribed intervals.

X: Check leak point (See "Checking for Leaks" page 10).

4



**Insert the gas cylinder into the base and tighten the safety lock:**

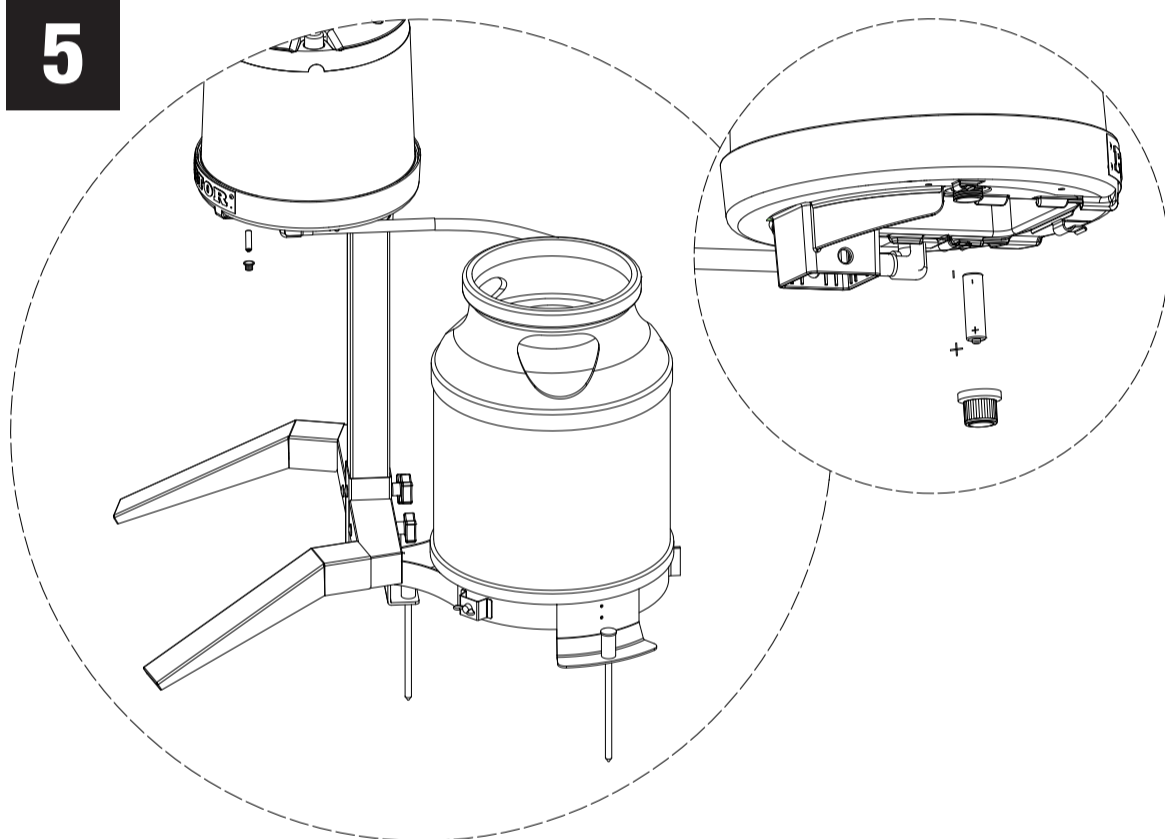
**WARNING:**

Change the gas cylinder in a well ventilated area, away from any ignition source (candle, cigarettes, or open flame)

Do not obstruct the ventilation holes of the cylinder enclosure.

Use only the type of gas and the type of cylinder specified by the manufacturer.

5



**Insert the battery into it's chamber:**

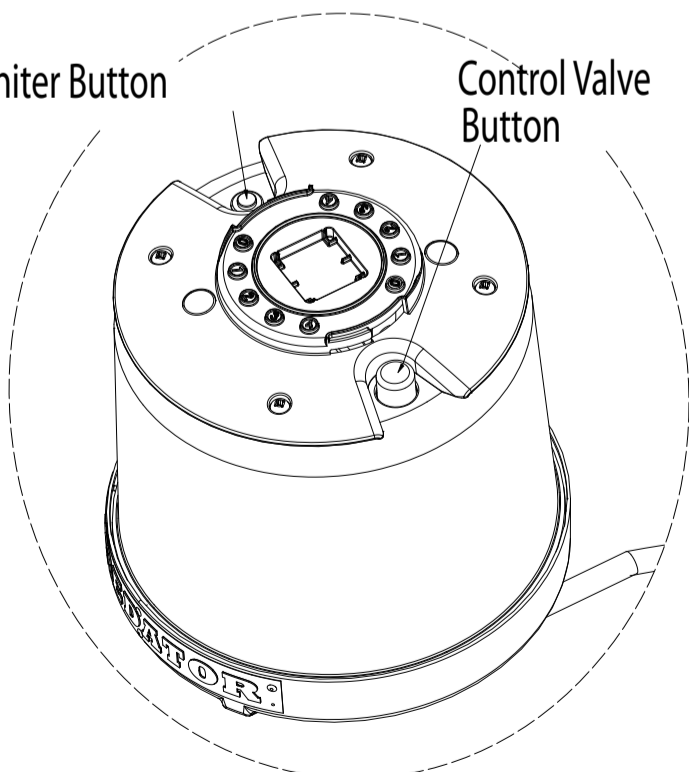
Open battery compartment by turning cap, located underneath CO<sub>2</sub> engine, counter clockwise.

Test ignitor by pressing the red button. Listen for clicking sounds.

6

Igniter Button

Control Valve Button



**Start the engine:**

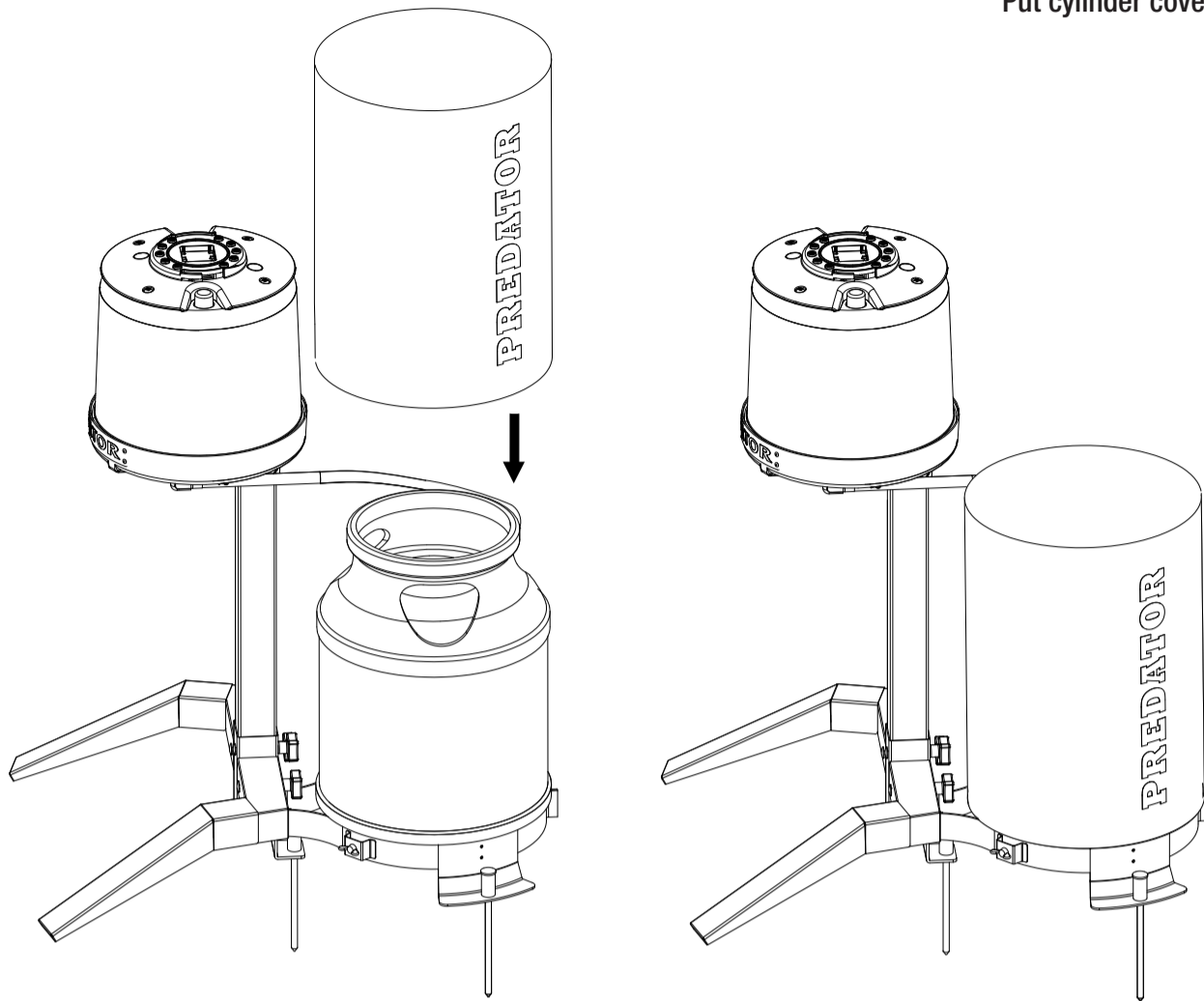
Open gas tank valve COUNTER CLOCKWISE, fully. Turn back a quarter of a turn CLOCKWISE.

1. Press and hold black control valve button.
2. IMMEDIATELY press and hold the red igniter button down until you hear a "POP" sound indicating ignition. Normally occurs within 20 seconds.
3. Continue to hold black control valve button for 30 seconds.
4. The needle on the engine gauge should begin to move into the "Green" zone. Within minutes LED lights will be flickering and the vacuum fan will be running with air flow out of the engine bottom, indicating the Predator Dynamic is ready to operate.

**CAUTION:** If engine fails to light, shut gas off at tank and wait 5 minutes before attempting to restart the engine by following the lighting instructions.

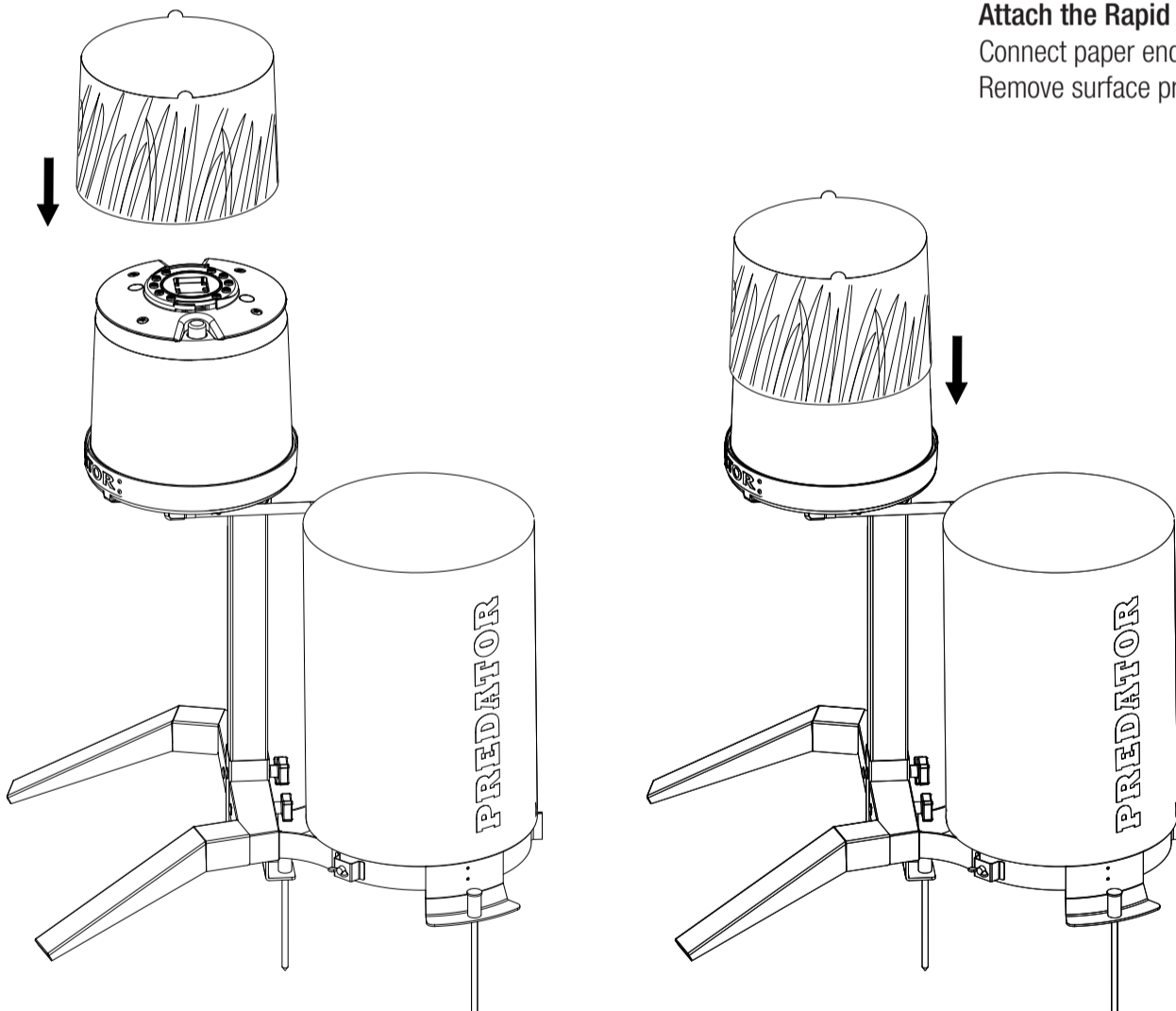
7

Put cylinder cover onto gas tank:

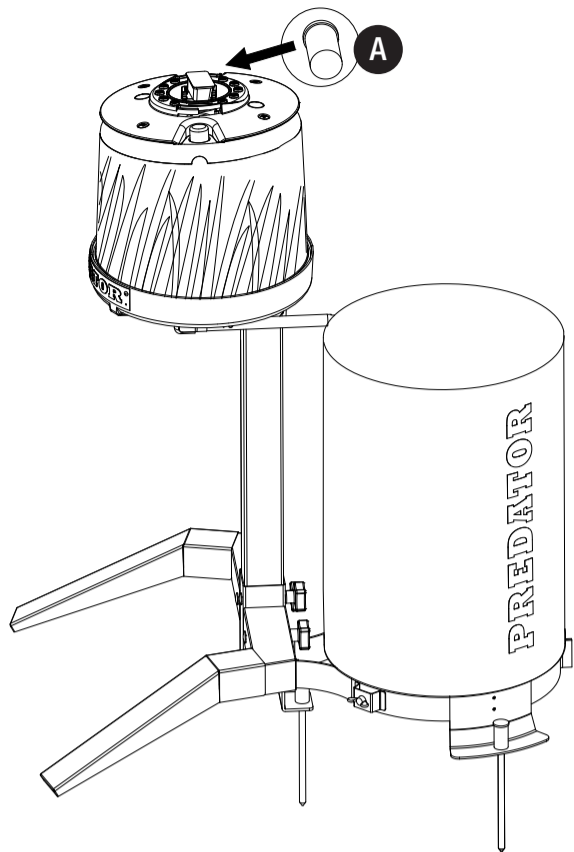


8

Attach the Rapid Action Sticky Paper:  
Connect paper ends and slide on CO<sub>2</sub> engine.  
Remove surface protection.



9

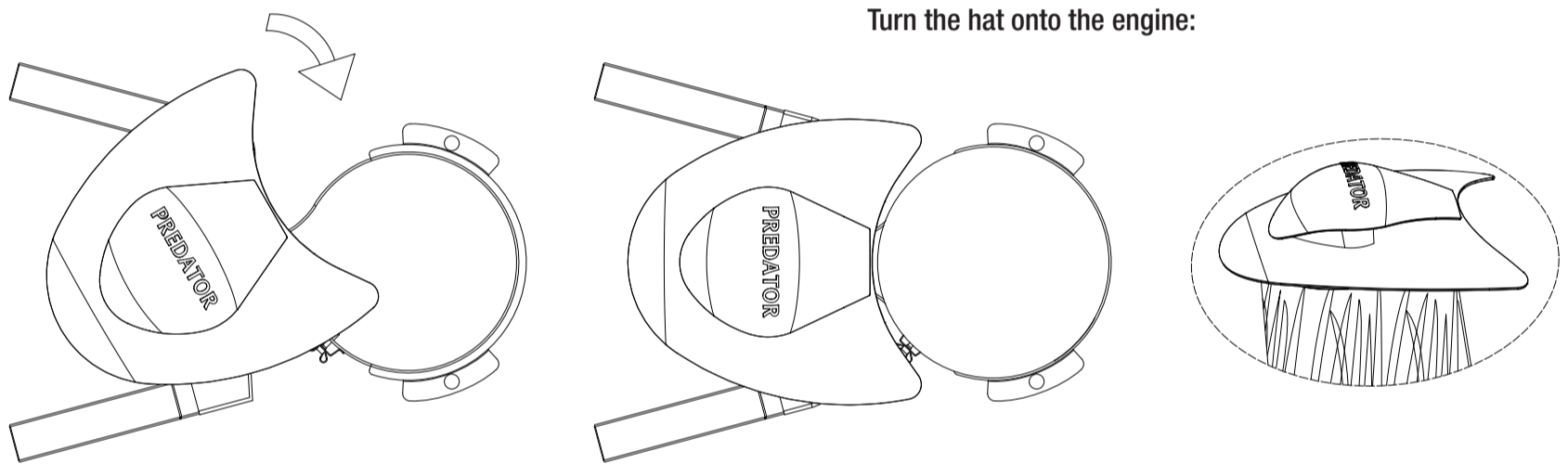


**Place the attractant:**

Remove the seal from the Rapid Action attractant and place it into the multi attractant compartment.

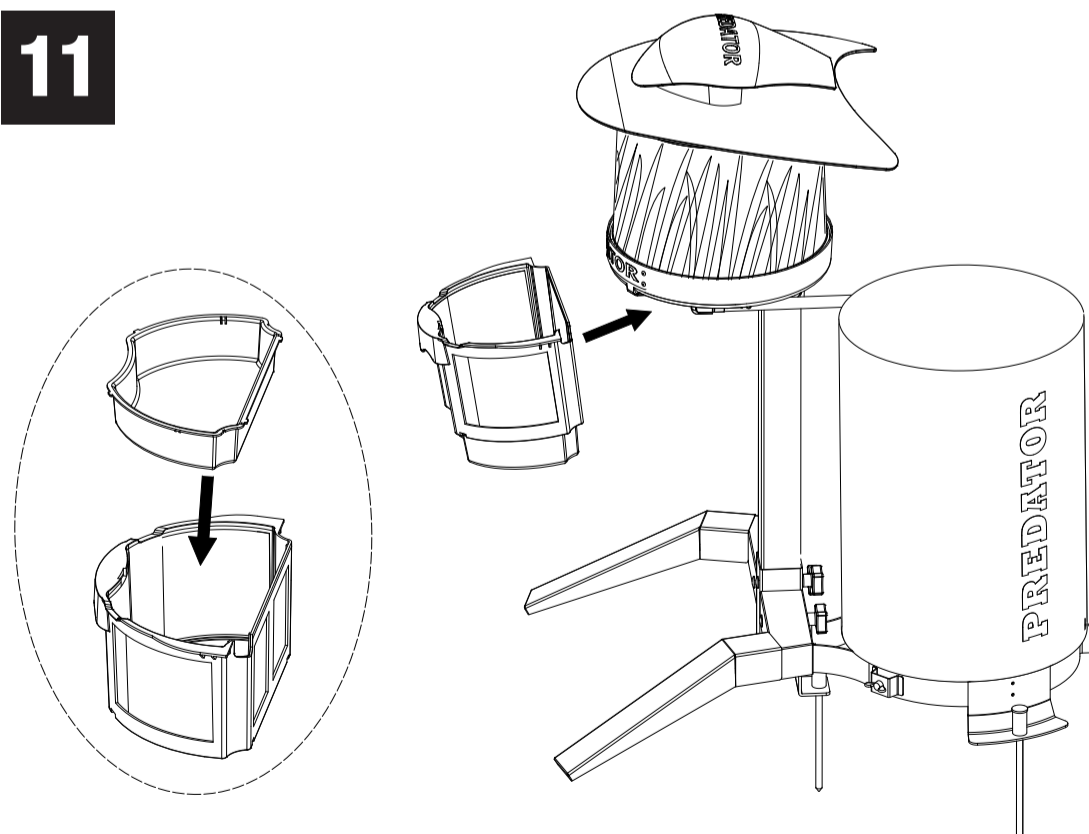
A. Predator Dynamic is also compatible with the attractant Lurex<sup>3</sup>

10



**Turn the hat onto the engine:**

11



**Fill up your water trap:**

Fill the tray with water (without chloride) and 2 teaspoons of sugar and one (1) drop of liquid soap (make sure it is without added scent) to break the water surface tension.

This mix generally produces better catches rates than the dry catch collector. This is because the airflow from the trap is enriched with humidity (much like human breath) and also contains scents of sugar, which to mosquitoes is as a source of energy.

**Carefully attach the water filled catch collector:**

Slide the catch collector into 3 hooks underneath the engine. Make sure to tighten firmly.



## Trap Placement

The location of your trap is a critical variable in maximizing capture rates. Most mosquito species avoid direct sunlight and wind so we recommend shaded, sheltered areas, preferably amongst bushes or shrubs and near any wetland area. Keep the trap away from areas frequented by humans and animals. Experiment with different locations to determine the most successful placement for your trap.

## Find the sweet spot!

For the best performance from your Mosquito Trap, first determine the source of the mosquito nuisance (Mosquitoes breed in wet areas like streams, marshland, wooded areas and gardens). Then use these rules to site the Trap:

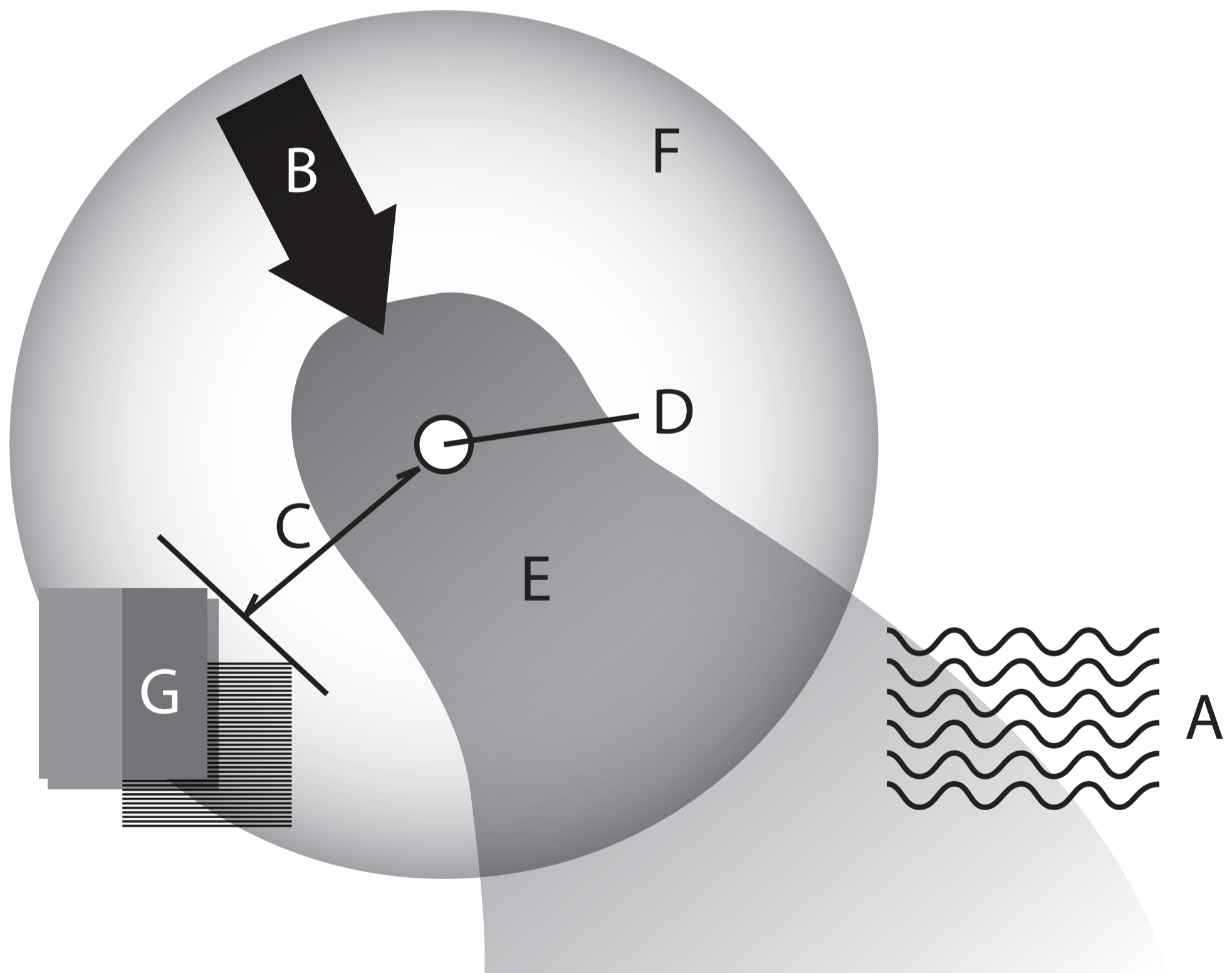
- Rule 1: Place the Trap between the mosquito source and areas of human activity.
- Rule 2: Place the Trap as far away from people (> 10 meters) and as close to the mosquito source as possible.
- Rule 3: Place the Trap upwind of the mosquito source but only if you can comply with Rule 1. (Mosquitoes smell pray upwinds)
- Rule 4: Always place the Trap in a calm and shaded area. (Mosquitoes avoid heat and wind)

## Patience

Patience and experimentation are the keys to getting the best out of your Mosquito Trap. It may take as much as 2–4 weeks of use to reduce local populations to the point that breeding cycles are interrupted. You should not expect to completely get rid of mosquitoes. Plan ahead and operate the trap for several weeks in advance of outdoor social occasions. Read the manual and use common sense when placing the trap. Also try to reduce unnecessary still standing water in your area. Water puddles uncleaned gutters, old buckets etc are perfect breeding ground for mosquitoes. If you do this right the result will come.

## DIY mosquito control made easy!

- Eliminate standing water in low spots, ditches, gutters and similar areas
- Empty receptacles that collect water (eg bird baths and pot plant saucers)
- Reduce breeding sites by keeping grass mown
- Mosquito netting/screens can be used to provide mosquito-free areas
- Light coloured clothing is less attractive to some mosquito species and if tightly woven, can give some protection against biting
- Always carry personal mosquito protection in infested areas. We recommend Thermacell by Amplecta which is a highly effective, mobile and non toxic repellent system that instantly protects against mosquitoes.



- A. Water/Wetland
- B. Wind direction
- C. Distance between your house/terrace and the Predator Dynamic should be a minimum of 10 meters

- D. Placement of the Predator Dynamic mosquito trap
- E. CO<sub>2</sub> and attractant scent
- F. UV-light 360°
- G. House/terrace

## Operating Instructions

### Checking for Leaks

#### Tank/Gas Line Connection

- Make 2 cl/2-3 oz. of leak solution by mixing one part liquid dishwashing soap with three parts water.
- Turn gas tank "ON" at valve.
- Spoon leak check solution at all "x" locations (See page 5, illustration 3).
- If any bubbles appear turn gas tank "OFF", reconnect and re-test. If you continue to see bubbles after several attempts, disconnect gas source and contact your local gas supplier for assistance.
- If no bubbles appear after one minute turn tank "OFF", wipe away solution and proceed.

### Placement

CAUTION: Tipping danger. Use stakes to secure.

Once you have selected the location, secure the Predator Dynamic device by placing a stake in each of the (2) front feet.

Maximum performance may require relocating your Predator Dynamic device from time to time. To move, remove stakes, place your foot on the cart base and tilt backward by holding the handle. Pull to the new location. Re-install stakes.

### Turning Off

Turn gas tank "OFF" by turning valve clockwise until it stops.

CAUTION: The gas supply must be turned off at the gas tank when this outdoor gas appliance is not in use.

### Cleaning and Care

CAUTION: All cleaning and maintenance should be done when Predator Dynamic is cool and with the fuel supply disconnected.

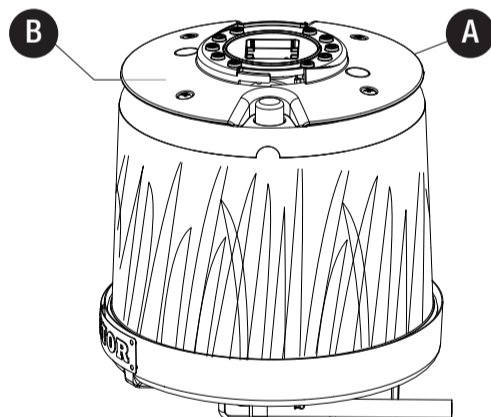
CAUTION: DO NOT clean any Predator Dynamic part in a self cleaning oven.

CAUTION: This Predator Dynamic should be thoroughly cleaned and inspected on a regular basis.

CAUTION: Abrasive cleaners will damage this product.

**CAUTION: Always make sure vacuum fan blades spin freely. CO<sub>2</sub> engine will get destroyed if not taken care of:**

1. Turn gas valve OFF.
2. Wait 10 minutes to fully stop and cool off.
3. Remove hat.
4. Remove clear plastic cowl (4 x philips screws).
5. Gently clean using bottle brush dipped in soap water.
6. Check and blow the air passages (air-inlet, under fan and heatsink) for fresh air in blockage



A. Clear plastic cowl.

B. Fan blades.

Watch cleaning instruction video at [www.predatormosquitotraps.com](http://www.predatormosquitotraps.com)

### Before Each Use:

1. Keep the Predator Dynamic area clean and free from any combustible materials, gasoline, and other flammable vapors and liquids.
2. Do not obstruct the flow of the combustion of gas and the ventilation air.
3. Keep the ventilation opening(s) of the gas tank area free and clear from debris.
4. See "Cleaning Instructions" for proper cleaning instructions.

### Cleaning Instructions / Routine Service

To ensure maximum performance and to lengthen the life of your Predator Dynamic device, perform these steps each time your tank is empty. This model will consume a standard 10 kg gas tank every 15-18 days.

**Note: While unit is in use, check the following weekly:**

- Check catch container and clean.
- Check air passages for blockage.

1. Turn valve on gas tank "OFF".
2. Disconnect hose/regulator gas line from tank by turning knob counterclockwise.
3. Remove empty tank replace with full gas tank.
4. Remove catch container, empty and clean.
5. Slide catch container back into place.
6. Remove used Rapid Action™ Sticky Paper and dispose of properly.
7. Slide fresh Rapid Action™ Sticky Paper in place and remove protective paper.
8. Remove Rapid Action™ cover by turning counterclockwise.
9. Remove used Rapid Action™ attractant (if necessary) and properly dispose. Note: Rapid Action™ attractant lasts 30 days.
10. Remove fresh Rapid Action™ attractant from package (if necessary). Dispose of packaging properly.
11. Place Rapid Action™ attractant back into holder with holes orienting upward.
12. Replace Rapid Action™ Attractant cover.
13. Place the Rapid Action™ Attractant into the multi attractant compartment.
14. Check engine and gas lines for any sign of damage or missing parts. Repair any problems before attempting to start.
15. Reconnect gas line to gas tank by turning knob clockwise.
16. Remove tank cover from empty gas tank and place on full gas tank.
17. Perform leak check.
18. Start following "Lighting" instructions.
19. Wash hands with soap and water.

### Replacing Igniter Battery

If you do not hear a clicking sound when the igniter button is depressed, the battery may have lost its charge. Replace battery as follows:

1. Turn gas tank valve "OFF".
2. Open battery compartment by turning cap on bottom of engine counterclockwise.
3. Remove used battery and properly dispose.
4. Place fresh AA battery into compartment – negative (-) end goes in first.
5. Secure cap by turning clockwise until it stops.
6. Start following "Lighting" instructions.

### End of Season Storage

To lengthen the life of your Predator Dynamic device, perform these simple steps at the end of the mosquito season.

1. Turn valve on gas tank "OFF".
2. Disconnect regulator/hose assembly from tank by turning knob counterclockwise.
3. Remove tank cover.
4. Remove gas tank and store outdoors away from children and must not be stored in a building, garage or other enclosed area.
5. Remove and properly dispose of the Rapid Action™ Sticky Paper and Rapid Action™ attractant.
6. Cover your Predator Dynamic device to protect from dust and store it in a cool dry place.

CAUTION: Storage of an outdoor gas appliance indoors is only permissible if the tank is disconnected and removed from the outdoor gas appliance.

### Limited Warranty

Amplecta AB ("Vendor") warrants to the original retail purchaser of this product, and to no other person, that if this product is assembled and operated in accordance with the printed instructions accompanying it, then for a period of one (1) year from the date of purchase, all parts in such product shall be free from defects in material and workmanship.

Vendor may require reasonable proof of your date of purchase. Therefore, you should retain your sales slip or invoice. This Limited Warranty shall be limited to the repair or replacement of parts, which prove defective under normal use and service and which Vendor shall determine in its reasonable discretion upon examination to be defective. Before returning any parts, you should contact Vendor's Customer Service Department using the contact information listed below. If Vendor confirms, after examination, a defect covered by this Limited Warranty in any returned part, and if Vendor approves the claim, Vendor will replace such defective part without charge. If you return defective parts, transportation charges must be prepaid by you. Vendor will return replacement parts to the original retail purchaser, freight or postage prepaid.

This Limited Warranty does not cover any failures or operating difficulties due to accident, abuse, misuse, alteration, misapplication, improper installation or improper maintenance or service by you or any third party, or failure to perform normal and routine maintenance on the product as set out in this owner's manual. In addition, the Limited Warranty does not cover damage to the finish, such as scratches, dents, discoloration, rust or other weather damage, after purchase.

This Limited Warranty is in lieu of all other express warranties. Vendor disclaims all warranties for products that are purchased from sellers other than authorized retailers or distributors, including the warranty of merchantability or the warranty of fitness for a particular purpose.

VENDOR ALSO DISCLAIMS AND ANY ALL IMPLIED WARRANTIES, INCLUDING WITHOUT LIMITATION THE IMPLIED WARRANTIES OF MERCHANTABILITY AND FITNESS FOR A PARTICULAR PURPOSE. VENDOR SHALL NO LIABILITY TO PURCHASER OR ANY THIRD PARTY FOR ANY SPECIAL, INDIRECT, PUNITIVE, INCIDENTAL, OR CONSEQUENTIAL DAMAGES. Vendor further disclaims any implied or express warranty of, and assumes no responsibility for, defects in workmanship caused by third parties.

This Limited Warranty gives the purchaser specific legal rights; a purchaser may have other rights depending upon where he or she lives. Some jurisdictions do not allow the exclusion or limitation of special, incidental or consequential damages, or limitations on how long a warranty lasts, so the above exclusion and limitations may not apply to everyone.

Vendor does not authorize any person or company to assume for it any other obligation or liability in connection with the sale, installation, use, removal, return, or replacement of its equipment, and no such representations are binding on Vendor.

If problems can not be correct by using these methods, please visit [www.predatormosquitotraps.com](http://www.predatormosquitotraps.com) or contact your local provider.

The use and installation of this product must conform to local codes.

Manufactured by:  
Amplecta AB, Gotaforsliden 13, SE-431 34 Molndal, Sweden, [www.amplecta.com](http://www.amplecta.com)  
Made in P.R.C

© 2010 Amplecta AB. All Rights Reserved.  
Predator Dynamic™, Rapid Action™ Sticky Paper and Rapid Action™ Attractants are trademarks of Amplecta AB, Sweden. LPG 35-1 / LPG 35-2 / LPG 35-3

Troubleshooting		
Problem	Possible Cause	Prevention/Cure
Engine will not light or engine stop	Igniter does not work	Check battery. Replace if necessary
	No Gas	Check gas tank valve is open and tank not empty. Replace if necessary.
	Clogged gas filter	Clean gas filter in the end of hose of regulator, if necessary
	Clogged air-inlet	Check and clean air-inlet and air passages for fresh air blockage*
Does not start with full (new/replacement) gas tank	Tank overfilled – too much pressure	Disconnect gas tank. Open valve and release gas for 10 seconds. Wait for the pressure valve on the unit to reset (3 minutes). Reconnect gas tank and try again (maximum 3 times).
If still not working	Low gas quality	Hold in red and blue control knobs for 30 seconds. If it still does not light contact your local provider
Abnormal noise	Fan clogged by insects	Trap engine will get damaged if not cleaned immediately! See "Cleaning and Care" page 10.
*Visit <a href="http://www.predatormosquitotraps.com">www.predatormosquitotraps.com</a> for more information and support		

## Fuel and Gas pressure specification

Model No.	LPG35-1	LPG35-2	LPG35-3
Heat input	0.3kW (21-24g/h)		
Gas category	I <sub>3+</sub> (28~30/37)	I <sub>3B/P</sub> (50)	I <sub>3B/P</sub> (30)
Type of gas	Butane at (28~30) mbar/ Propane at 37 mbar	LPG gas mixture at 50 mbar	LPG gas mixture at (28~30) mbar
Pressure	(28~30)/ 37 mbar	50mbar	(28~30) mbar
Destination countries	BE, FR, IT, LU, IE, GB, GR, PT, ES, CY, CZ, LT, SK, CH, SI	AT, DE, CH, SK	LU, NL, DK, FI, SE, CY, CZ, EE, LT, MT, SK, SI, BG, IS, NO, TR, HR, HU, RO, IT
Injector size	0.30 mm	0.26 mm	0.30 mm
Gas regulator	Certified regulator according to EN 12864 (flow rate: max. 2kg/h)		
Gas hose	Certified gas hose according to applicable EN-standard (100 cm)		

International patents application filed,  
but not published. Applications no.  
PCT/SE2010/050363  
PCT/EP2010/054366



**PREDATOR**  
Targeted Mosquito Traps™

**RapidAction™**  
BioTech

**AMPLECTA**

[www.predatormosquitotraps.com](http://www.predatormosquitotraps.com)

[www.rapidactionbiotech.com](http://www.rapidactionbiotech.com)

[www.amplecta.com](http://www.amplecta.com)

Predator Dyanmic by Amplecta AB, Sweden // [info@amplecta.com](mailto:info@amplecta.com)