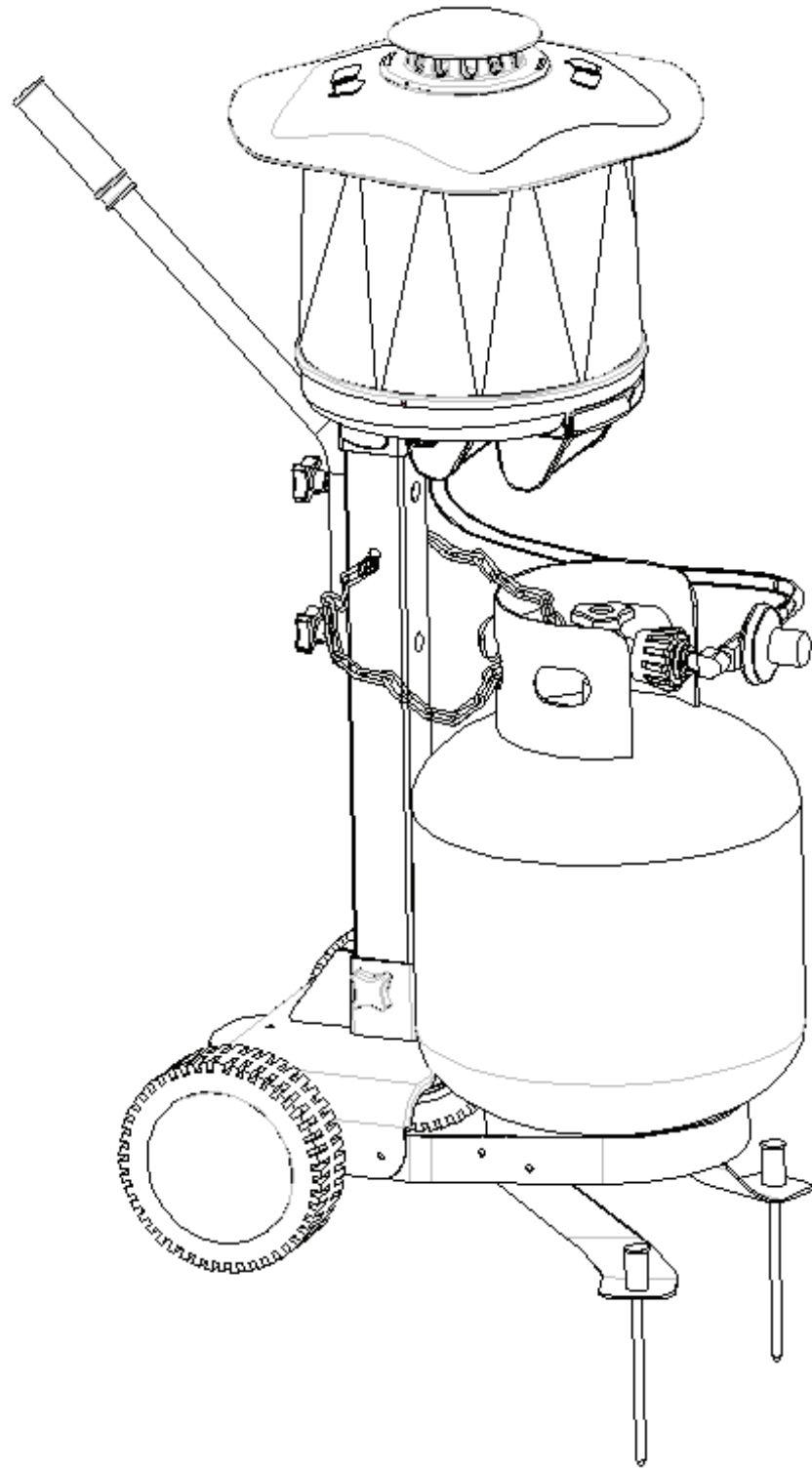


# Mosquito Trap

**SV-35/CPSV003503**

**SV-35B**

**SV-35C**



## User Manual

**Read the Instructions before use**

**Congratulations on your new Mosquito Trap – the latest in effective mosquito-extermination-systems, incorporating decades of research and development.**

This mosquito trap is probably the very powerful trap in the market today. It has been developed and mimics a perspiring person with 6 cues to attract female mosquitoes in large areas, and will make sure mosquito colonies in your vicinity will deteriorate and in many cases be extinguished altogether. Our goal was to create a dynamic multi-platform that can attract the majority of mosquitoes species. The mosquito trap is to attract the fast and low flying Aedes (Asian Tiger Mosquito), Culex (most common mosquitoes), and is perfect altitude for most Midges and Gnats.

**Visit [www.amplecta.com](http://www.amplecta.com) for instructional videos and support!**

## Important Safeguards

### ⚠ WARNINGS:

#### ⚠ FOR YOUR SAFETY:

⚠ For Outdoor Use Only (outside any enclosure)

### ⚠ WARNINGS:

#### ⚠ FOR YOUR SAFETY:

⚠ Keep out of reach of Children

### ⚠ WARNINGS:

#### ⚠ FOR YOUR SAFETY:

⚠ Read the labels and these instructions before using.

### ⚠ WARNINGS:

#### ⚠ FOR YOUR SAFETY:

⚠ Improper installation, adjustment, alteration, service or maintenance can cause injury or property damage.

⚠ Read the installation, operation, and maintenance instructions thoroughly before installing or servicing this equipment.

⚠ Failure to follow these instructions could result in fire or explosion, which could cause property damage, personal injury, or death.

### ⚠ DANGER:

⚠ For use outdoors or in amply ventilated areas.

#### If you smell gas:

1.Shut off gas to appliance.

2.Extinguish any open flame.

3.If odor continues, keep away from the appliance immediately and call your gas supplier or your fire department.

### ⚠ WARNINGS:

#### ⚠ FOR YOUR SAFETY:

⚠ Do not store or use gasoline or other flammable liquids or vapors in the vicinity of this or any other appliance.

⚠ A gas cylinder not connected for use shall not be stored in the vicinity of this or any other appliance.

### ⚠ DANGER:

Failure to follow the dangers, warning and cautions in this manual may result in serious bodily injury or death, or in a fire or an explosion causing damage to property.

### ⚠ WARNINGS:

⚠ 1. This mosquito trap unit is for outdoor use only, and shall not be used in a building, garage, or any other enclosed area.

⚠ 2. Do NOT operate, light or use this appliance within 3 meters/8 feet of walls, structures, buildings or combustible materials.

⚠ 3. It is a violation of Federal law to use this product in a manner inconsistent with its labeling.

⚠ 4. This mosquito trap unit is NOT for commercial use.

⚠ 5. This This mosquito trap unit is for use with gas only. The conversion to or attempted use of natural gas in this This mosquito trap unit is dangerous and will void your warranty.

#### ⚠ 6. Gas Characteristics:

a.Gas is flammable and hazardous if handled improperly. Become aware of the characteristics before using any gas product.

b.Gas is explosive under pressure, heavier than air, and settles and pools in low areas.

c.Gas in its natural state has no odor. For your safety, an odorant is added that smells like rotten cabbage.

d.Contact with gas can cause freeze burns to skin.

⚠ 7.Gas tank needed to operate. Only tanks marked LPG, Butane and Propane gas are suitable for this unit.

a.The gas supply tank must be constructed and marked in accordance with the Specifications for gas Cylinders in your country.

b.Gas tank must be arranged for vapor withdrawal.

c.The gas tank must have a listed overfilling prevention device (OPD).

d.Only use cylinders equipped with a cylinder connection device compatible with the connection for outdoor cooking appliances.

e.The gas tank must have a tank collar to protect the tank valve.

f.Never use an gas tank with a damaged body, valve, collar, or footing.

g.Dented or rusted gas tanks may be hazardous and should be checked by your gas supplier prior to use.

h.The gas tank should not be dropped or handled roughly.

i.Tanks must be stored outdoors out of the reach of children and must not be stored in a building, garage, or any other enclosed area. Your tank must never be stored where temperatures can reach over 60°C/125°F.

j.Never keep a filled gas tank in a hot car or car trunk. Heat will cause the gas pressure to increase, which may open the relief valve and allow gas to escape.

k.Place dust cap on cylinder valve outlet whenever the cylinder is not in use. Only install the type of dust cap on the cylinder valve outlet that is provided with the cylinder valve. Other types of caps or plugs may result in leakage of propane.

l .Do not store a spare gas tank under or near this appliance.Never fill the tank beyond 80 percent full.LP

m.A fire causing, serious injury or damage to property may occur if the above is not followed exactly.

n.Always transport your tank in a secure, well-ventilated location in your vehicle. gas tank should be upright with valve turned off. Gas tank should be taken directly to and from place of use.

⚠ 8. Shut off the valve at the gas cylinder or the regulator before moving the appliance.

⚠ 9. Do not obstruct the ventilation holes of the cylinder housing.

⚠ 10. Never attempt to attach this This mosquito trap unit to the self-contained gas system of a camper trailer, motor home, or house.

⚠ 11. The use of alcohol, or prescription or non-prescription drugs may impair the consumer's ability to properly assemble or safely operate the appliance.

⚠ 12. Your This mosquito trap unit has been checked at all factory connections for leaks. Recheck all connections, as movement in shipping can loosen connections.

⚠ 13. Check for leaks even if your unit was assembled for you by someone else.

⚠ 14. Do not operate if gas leak is present. Gas leaks may cause a fire or explosion. 15. You must follow all leak-checking procedures before operating. To prevent fire or explosion hazard when testing for a leak:

a). Always perform leak test before lighting the This mosquito trap unit and each time the tank is connected for use.

b). No smoking. Do not use or permit sources of ignition in the area while conducting a leak test.

c). Conduct the leak test outdoors in a well-ventilated area.

d). Do not use matches, lighters, or a flame to check for leaks.

e). Do not use This mosquito trap unit until any and all leaks are corrected.

⚠ 15. If you are unable to stop a leak, disconnect the gas supply. Call a gas appliance serviceman or your local gas supplier.

⚠ 16. Do not store or use gasoline or other flammable liquids or vapors within 8 meters/25 feet of this appliance.

⚠ 17. Do not use in an explosive atmosphere. Keep This mosquito trap unit area clear and free from combustible materials, gasoline and other flammable vapors and liquids.

⚠ 18. Minimum clearance from sides and back of unit to combustible construction, 50 centimeters/21 inches from side and 50 centimeters/21 inches from back. Do not use this appliance under overhead combustible surfaces.

⚠ 19. It is essential to keep the Mosquito trap's valve compartment, burners, and circulating air passages clean. Inspect Mosquito trap before each use.

- ▲ 20. Do not alter this mosquito trap unit in any manner.
- ▲ 21. Do not use the this mosquito trap unit unless it is **COMPLETELY** assembled and all parts are securely fastened and tightened.
- ▲ 22. This this mosquito trap unit should be thoroughly cleaned and inspected on a regular basis. Clean and inspect the hose before each use of the appliance. If there is evidence of abrasion, wear, cuts, or leaks, the hose must be replaced prior to the appliance being put into operation.
- ▲ 23. Use only the regulator and hose assembly provided. The replacement regulator and hose assembly shall be that specified by the manufacturer.
- ▲ 24. Use only this mosquito trap unit with factory authorized parts. The use of any part that is not factory authorized can be dangerous. This will also void your warranty.
- ▲ 25. Keep the instructions for future reference.
- ▲ 26. Do not use this appliance without reading “Operating Instructions” in this manual.
- ▲ 27. Do not install or use in or on boats or recreational vehicles.
- ▲ 28. Product performance can vary due to weather, wind and other environmental conditions.
- ▲ 29. In case of violent wind precautions must be take against tilting of the appliance.
- ▲ 30. Never lean over the this mosquito trap unit when lighting.
- ▲ 31. Do not move the appliance when in operation.
- ▲ 32. Do not attempt to move this mosquito trap unit when in use. Allow the this mosquito trap unit to cool before moving or storing.
- ▲ 33. Storage of unit indoors is permissible only if the tank is disconnected, removed from the this mosquito trap unit and properly stored outdoors.
- ▲ 34. Do not attempt to disconnect the gas regulator from the tank or any gas fitting while the this mosquito trap unit is in use.
- ▲ 35. Do not use this mosquito trap unit for indoor cooking or heating. TOXIC fumes can accumulate and cause asphyxiation.
- ▲ 36. After a period of storage and/or nonuse, check for leaks, burner obstructions and inspect for any abrasion, wear, cuts to the hose.
- ▲ 37. If this mosquito trap unit is not in use, the gas must be turned off at the supply tank.
- ▲ 38. Keep air intake areas clear of dust, dirt and debris
- ▲ 39. Do not allow children to operate or play near a this mosquito trap unit device when it is in use.
- ▲ 40. The tubing or the flexible hose must be changed within the prescribed intervals.
- ▲ 41. Inspect for damage and wear during each maintenance cycle at least once per month and each time the cylinder changed.
- ▲ 42. Use only the type of gas and the type of cylinder specified in these insturctions.
- ▲ 43. It is recommended to use mosquito attractant in your mosquito trap unit. The use of other attractants has not been tested with your product, and void your warranty.
- ▲ 44. Maximum inlet gas supply pressure: See Fuel and Gas pressure specification for your country on page 11.
- ▲ 45. Deaths, serious injury or damage to property may occur if the above is not followed exactly.

### This Product is not capable of:

- Completely eliminating mosquito populations
- Eliminating the possibility of disease from mosquitoes
- For best results, keep your mosquito trap running continuously, and replace the propane cylinder as soon as it is empty.
- Begin operating your mosquito trap device once low temperatures remain above 10°C (50°F).
- To reduce and maintain mosquito populations it is important for your mosquito trap device to operate continuously. Do not turn off the gas tank valve until your mosquito trap turns off, then immediately replace the empty tank with a full tank of propane.
- Always contact our experts before returning product to place of purchase.

### Important Information about the attractant

Your mosquito trap device includes an attractant that contains octenol (1-octen-3-ol). This non toxic pesticide is an effective attractant supplement for some mosquito species.

### KEEP OUT OF REACH OF CHILDREN

CAUTION: Harmful if swallowed, absorbed through the skin or inhaled. Avoid contact with skin, eyes and mouth. Wash hands thoroughly with soap and water after handling.

### Important Information about ultraviolet light

This device radiates intense ultraviolet (UV) light when operated.

CAUTION: Do not look directly at the device during operation. Exposure to UV light, even for a brief period, can damage your eyes.

### Table of content

Precautions.	2-3
How it works.	3
Part List.	4
Assembly instructions .	5-8
Trap placement guide .	9
Operation instructions .	10-11
Warranty .	11
Fuel and Gas specification .	12
Troubleshooting .	13
End Page .	14

### How it works

Precautions.

The mosquito trap mimics a perspiring person, with 6 cues to attract female mosquitoes:

- Breath (CO2: moist and heat)
- Heat (Engine housing-Body skin temperature)
- Sweat (Lure Attractant)
- Movement (Blinking LED light)
- Water moisture (Combustion exhaust moisture)
- Light (attracts 360 degrees using UV-LED lights)

It catches the mosquitoes in two ways:

- Strong vacuum fan that sucks the insects in and dehydrates them to die
- Rapid Action Sticky Paper: Powerful glue Trap with contrast pattern

Not all mosquitoes are attracted to basic Octenol. We have therefore added an extra large multi-attractant chamber under the hat. Here you can fit all Rapid Action attractants as well as those of our competitors' or your own, whichever you prefer. The mosquito trap will concentrate attracting scent of the attractant close the strong vacuum inlet where the mosquitoes are sucked in.

### Please retain user's manual for future reference.

If you are assembling this unit for someone else, give this manual to him or her to read and save for future reference.

### Important Information

Your mosquito trap device operates 24 hours a day to help reduce the nuisance of mosquitoes. It attracts female mosquitoes that are seeking a blood meal to nourish their eggs. By removing these females you also remove their eggs.

### This Product will provide the following results when used as directed:

- Attract, trap and kill mosquitoes

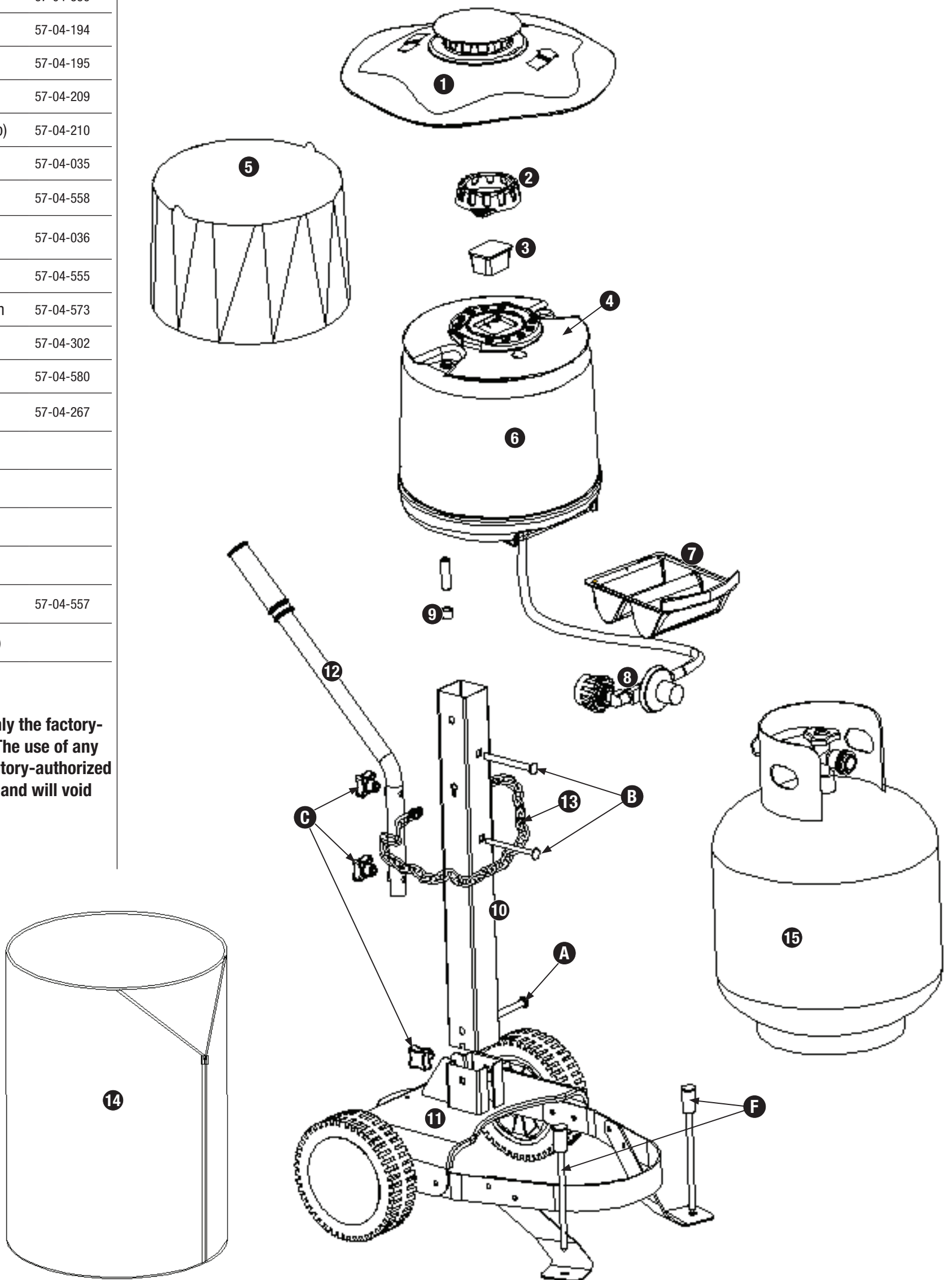
## Parts List

1	Rain Cover	57-04-556
2	FineTune® Ring	57-04-194
3	Attractant Lure	57-04-195
4	Engine Cowl*	57-04-209
5	TacTrap (Sticky Trap)	57-04-210
6	Engine Assembly*	57-04-035
7	Wave Drawer	57-04-558
8	Regulator/Hose Assembly*	57-04-036
9	Battery Cap*	57-04-555
10	Post with tank chain	57-04-573
11	Cart Assembly	57-04-302
12	Handle	57-04-580
13	Tank Chain	57-04-267
A	Middle Bolt (1)	
B	Long Bolt (2)	
C	Win Net (3)	
F	Stake (2)	
14	Gas Tank Cover	57-04-557
15	Tank (Non Included)	

\* Pre-assembled

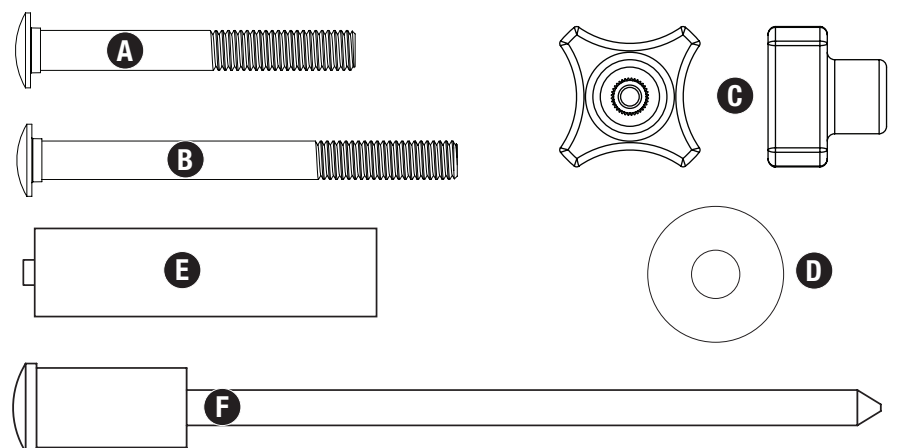
**▲ \*\*CAUTION: Use only the factory-authorized parts. The use of any part that is not factory-authorized can be dangerous and will void your warranty.**

## Expanded View



## Hardware

A	Bolt	M8 x 63 mm, Nickel Plated	1 pcs
B	Bolt	M8 x 83 mm, Nickel Plated	2 pc
C	Wing Nut	M8 mm	3 pcs
D	Washer	M8 mm, Nickel Plated	3 pcs
E	AA Battery		1 pcs
F	Stake	ø8 x 180 mm Nickel Plated	2 pcs



### Assembly Instructions

#### 1 DO NOT RETURN TO PLACE OF PURCHASE.

For assistance, contact [www.amplecta.com](http://www.amplecta.com). Please have your Owner's Manual and model number available for reference.

Note: The model number is printed on a label which can be found on the side of the engine.

For Easiest Assembly:

- Select an area where you will assemble this product. To protect components, choose a smooth surface that's free of cracks or openings.
- Spread out all parts.
- Tighten all hardware connections by hand first. Then, before completing each step, go back and fully tighten all hardware. Be careful not to over-tighten. That could damage surfaces or strip threads.
- For best results, complete each step in the order presented.

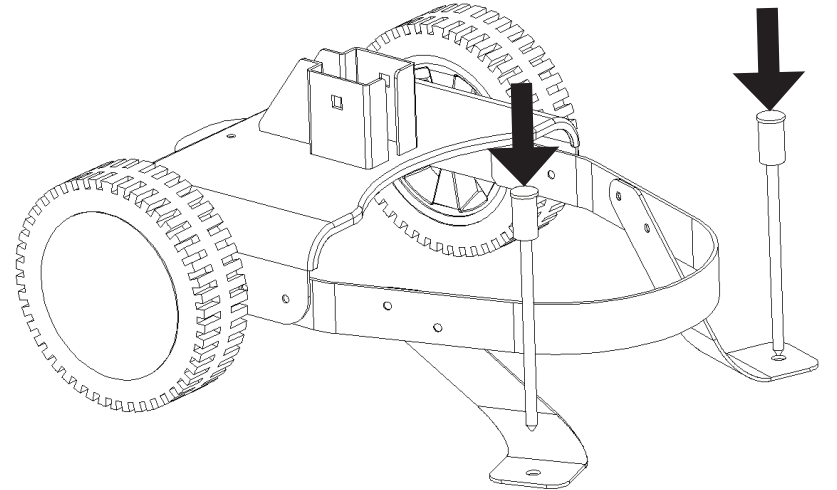
To complete assembly you will need:

- (1) Leak detection solution (instructions on how to make the solution are included in the "Operating Instructions" section of this manual).
- (1) Precision-filled LP gas grill tank with Acme Type 1 external threaded valve connection (standard grill size – 9 kg (20 lbs)).

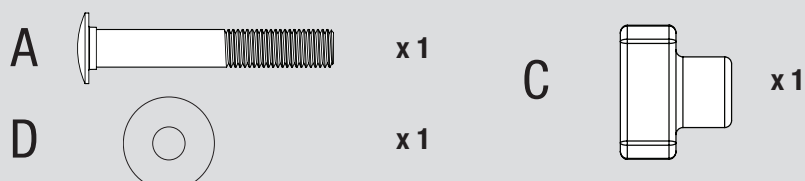
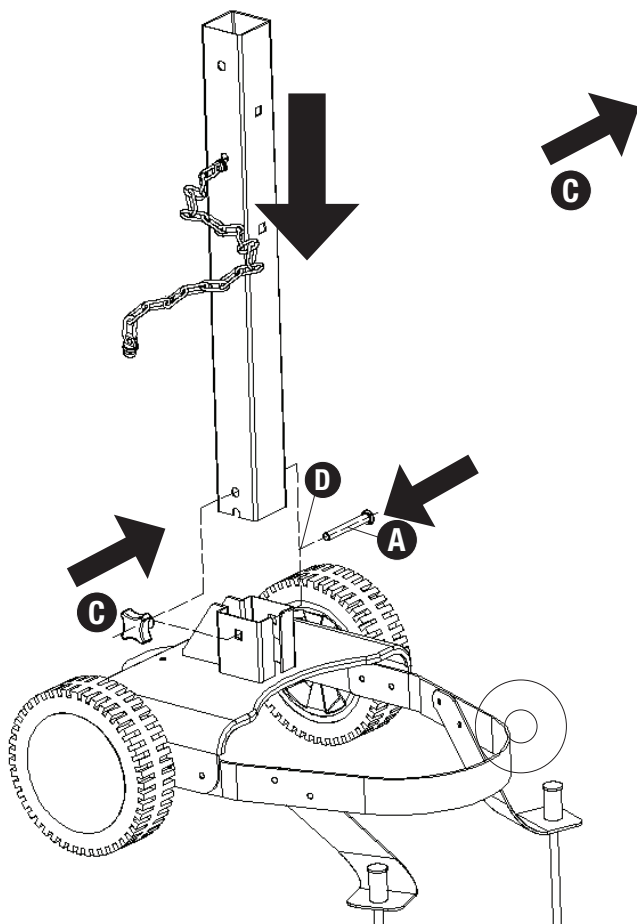
Typical assembly is approximately ten (10) minutes.

#### 2 Secure Base

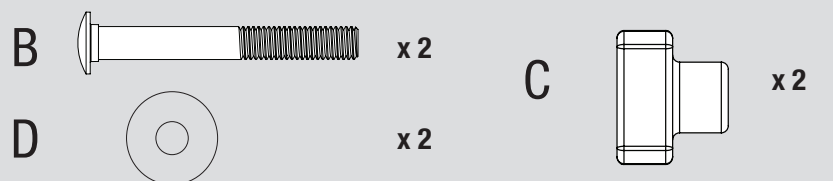
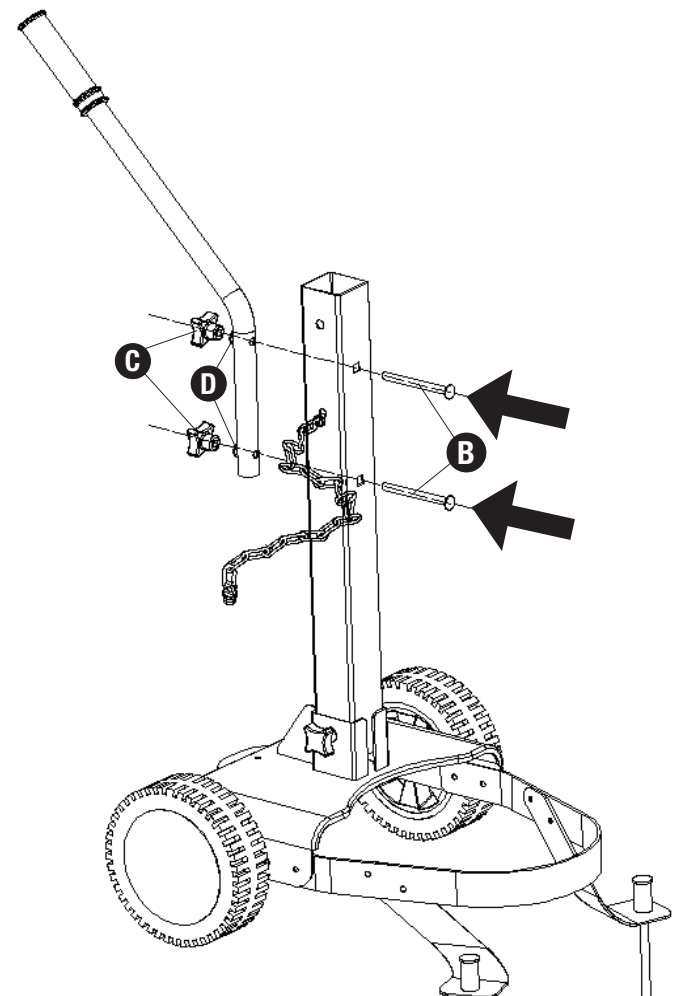
Properly choice and positioning this device is important to maximizing performance.



#### 3 Insert Post into Cart

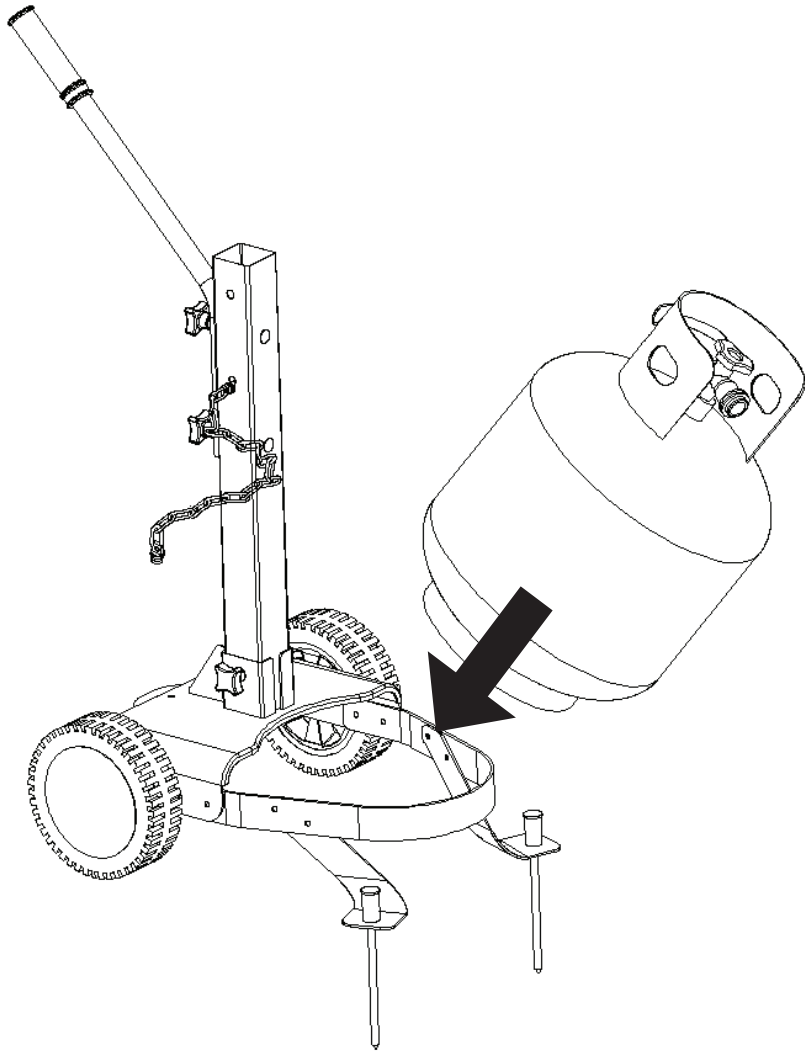


#### 4 Install Handle

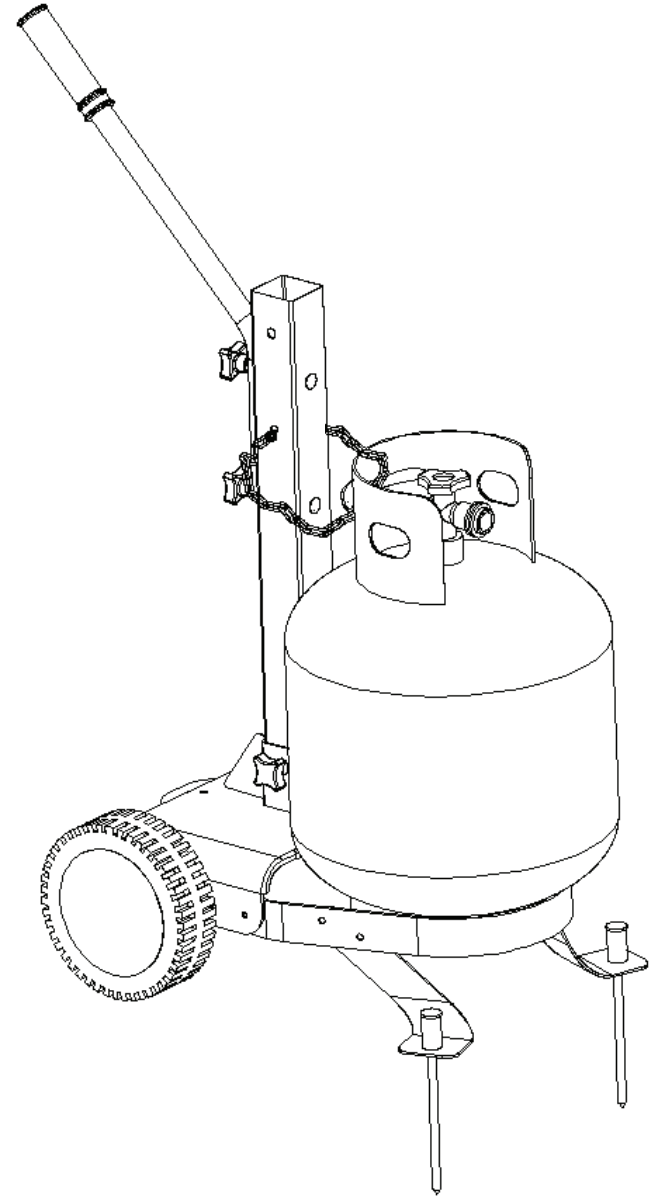


### Assembly Instructions

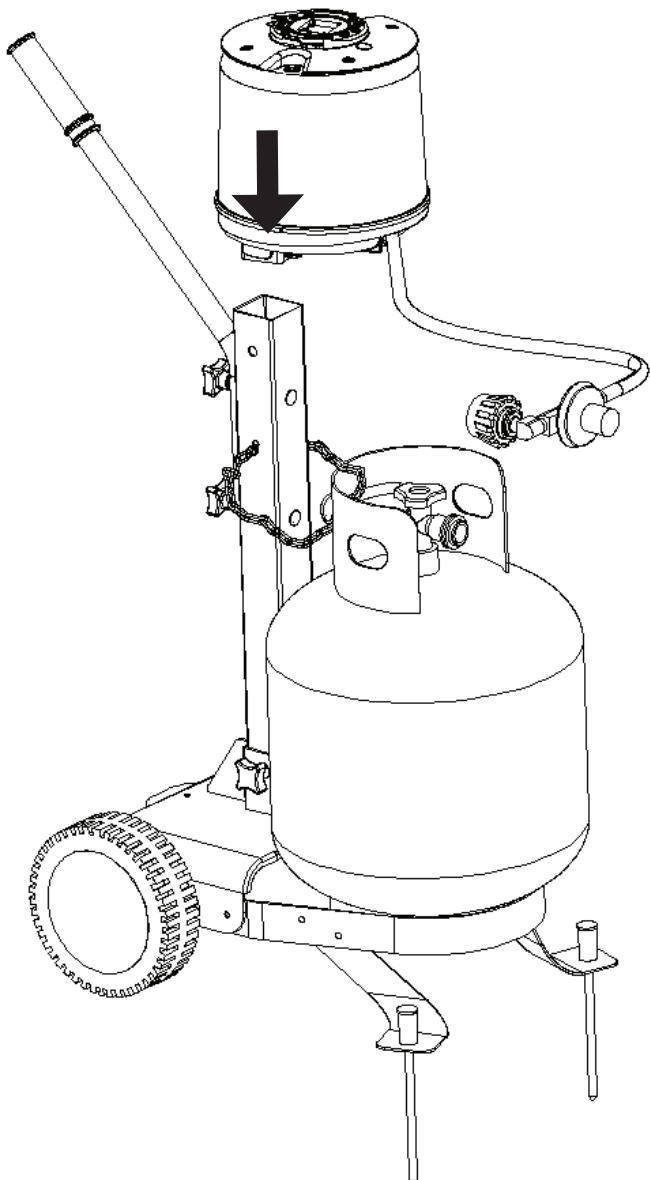
#### 5 Insert Gas Tank



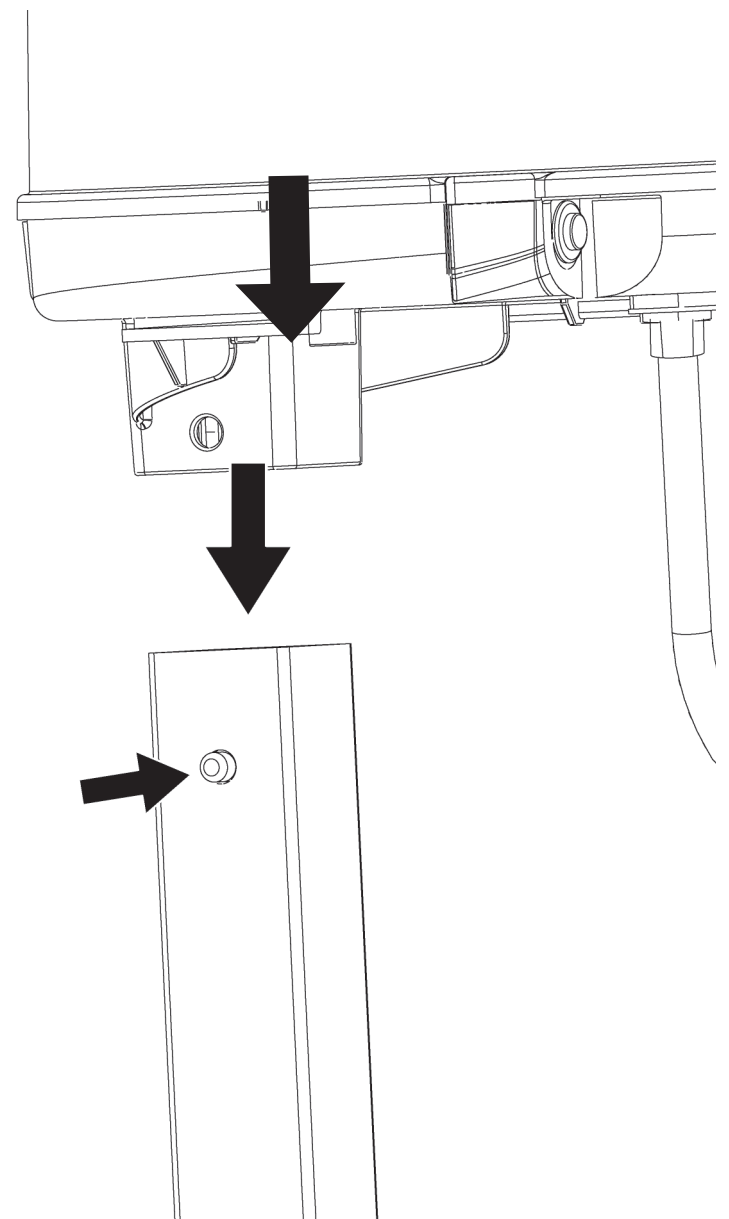
#### 6 Secure Gas Tank with chain



#### 7 Attach Engine Assembly



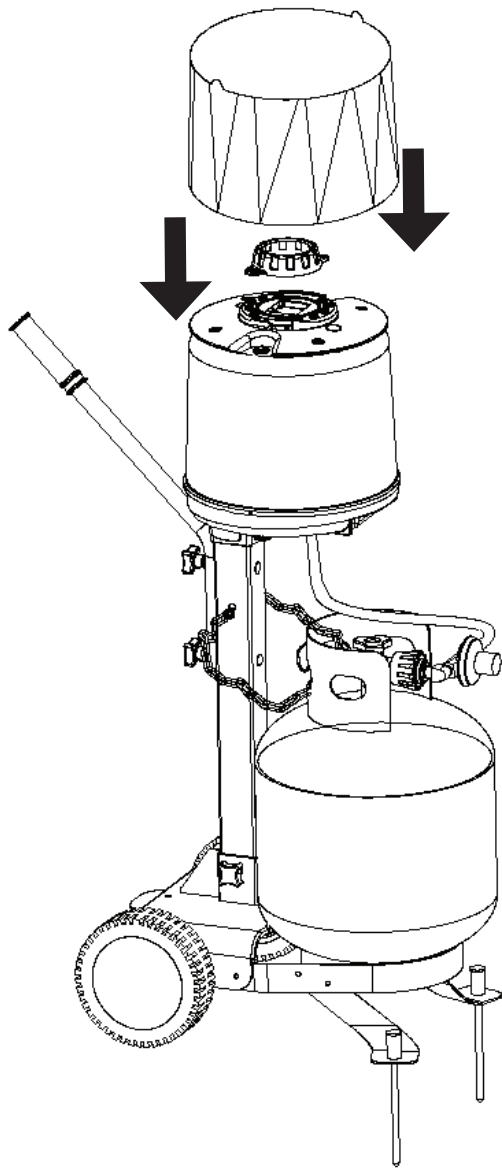
#### 8 Insert Engine Assembly onto Post



### Assembly Instructions

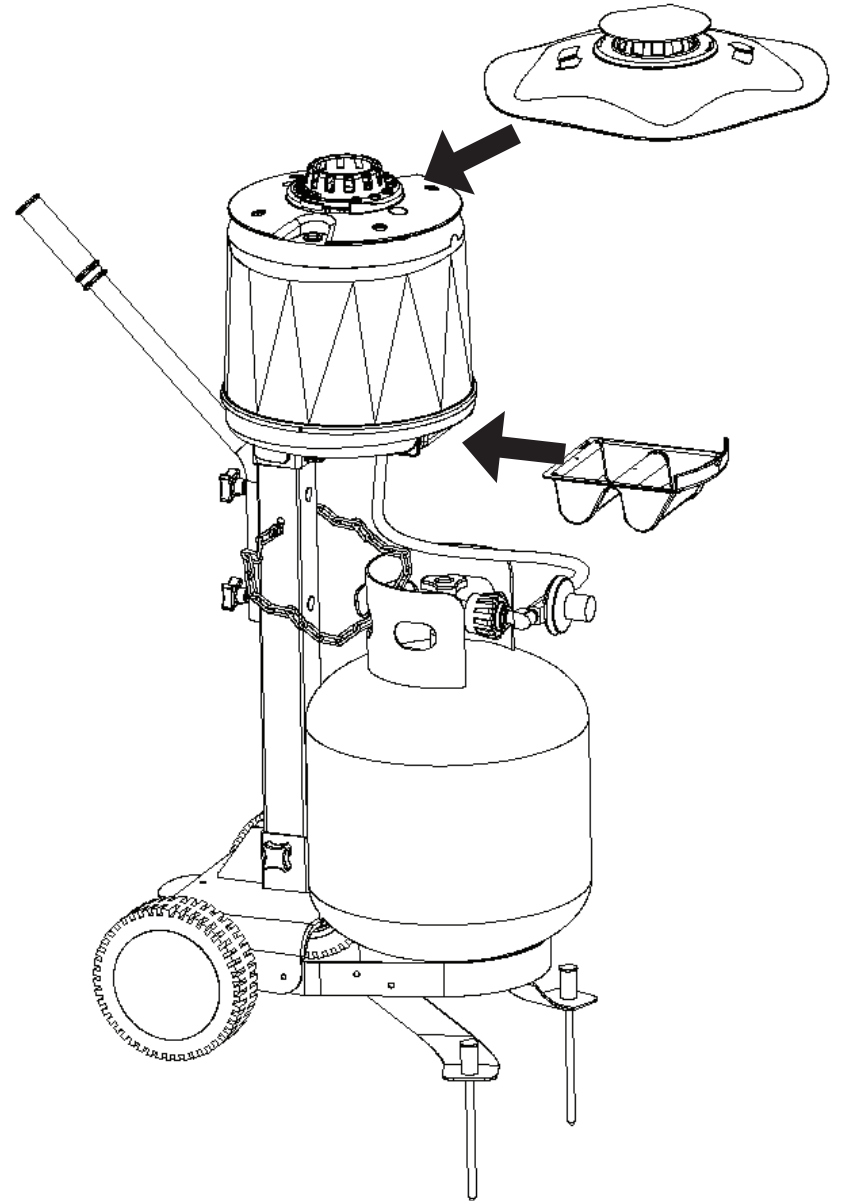
9

Insert StickyTrap and Attache FineTune® Lure



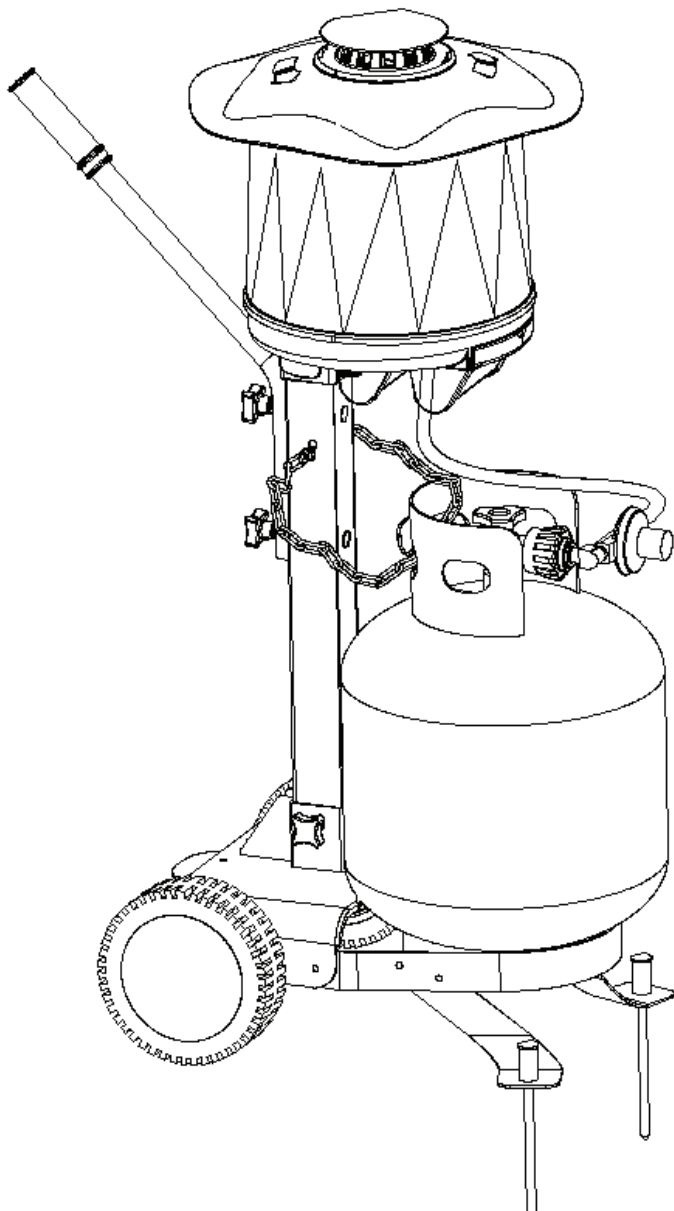
10

Insert Wave Drawer® and Attach Rain Cover



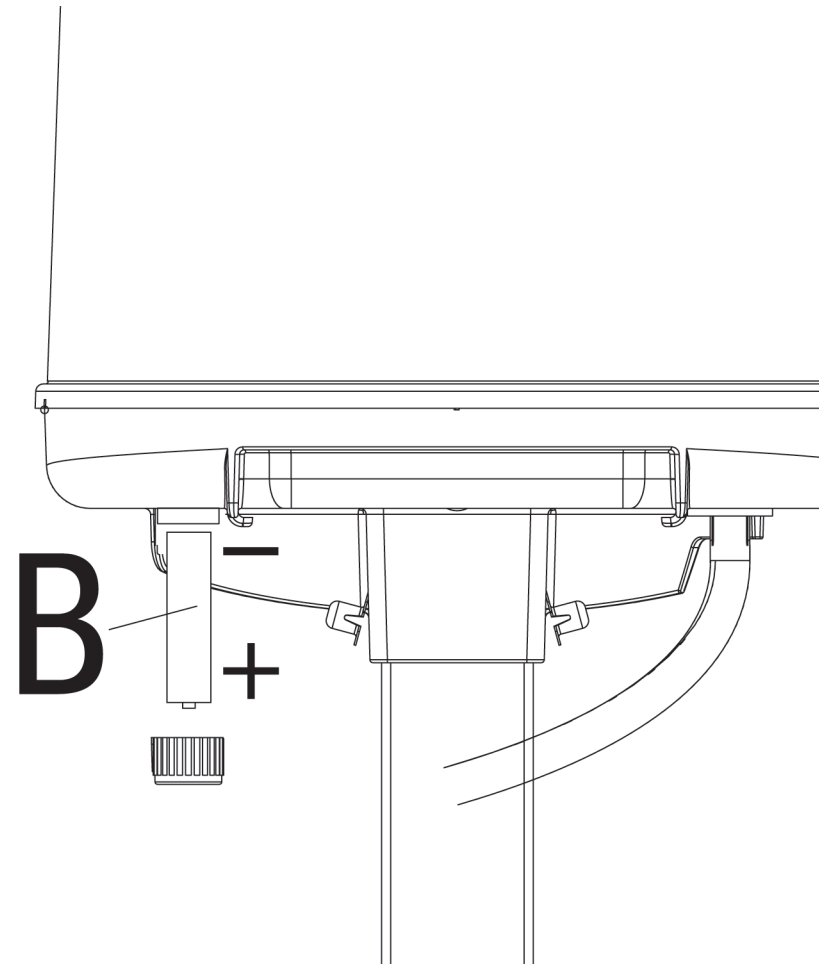
11

Attach Engine Assembly



12

Install Battery



B  x1

## Installing LP Gas Tank

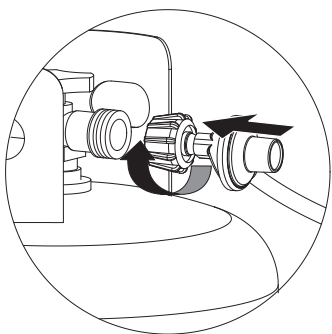
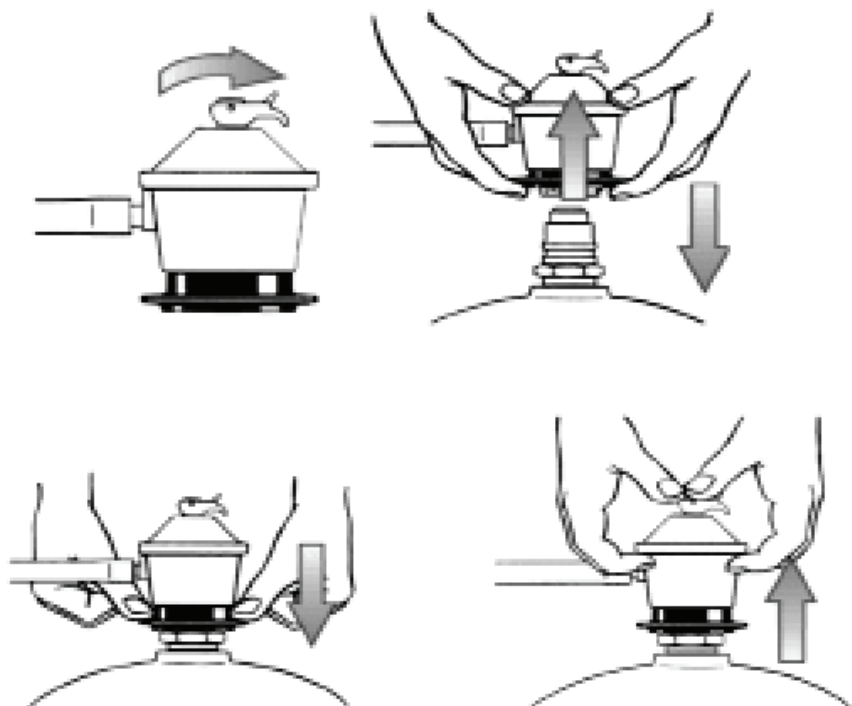
To operate, you will need one precision-filled standard grill LP gas tank with external valve threads.

- ▲ **CAUTION: LP gas tank must be properly disconnected and removed prior to moving this product.**
- ▲ **LP gas cylinders must be stored outdoors out of the reach of children and must not be stored in a building, garage or any other enclosed area. Your cylinder must never be stored where temperatures can reach over 52°C (125°F). Always transport your cylinder in a secure, well-ventilated location in your vehicle. Cylinder should be upright with valve turned off. Cylinder should be taken directly to and from place of use.**
- ▲ **Dented or rusted LP gas cylinders may be hazardous and should be checked by your LP gas supplier prior to use.**



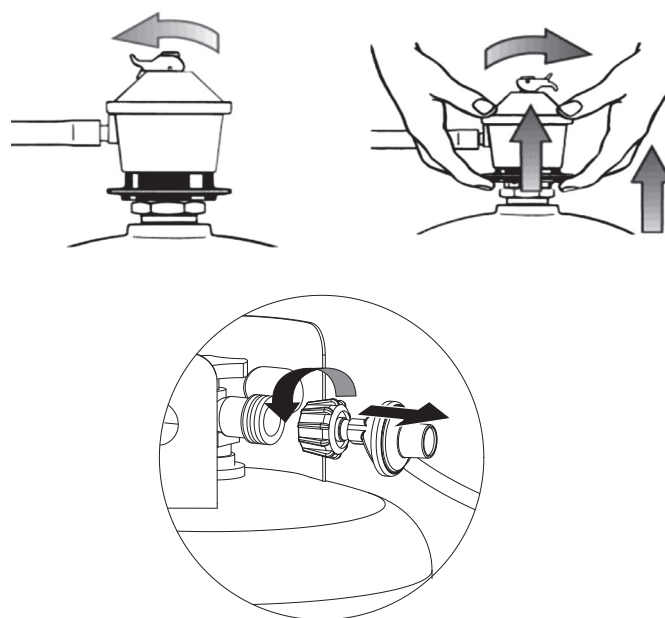
## Connecting LP Gas Tank

1. Before connecting, be sure there is no debris caught in the head of the LP gas tank or the head of the regulator valve.
  2. Connect regulator/hose assembly to tank by turning knob clockwise until it stops.
- ▲ **The LP gas cylinder must have a listed overfilling prevention device (OPD). Never fill the cylinder beyond 80 percent full.**
  - ▲ **Dented or rusted LP gas cylinders may be hazardous and should be checked by your LP gas supplier prior to use.**
  - ▲ **Use only the regulator and hose (70~100cm, No longer than 1.2m) assembly MKL factory-authorized provided. Use only the replacement regulator and hose assembly specified by MKL factory or Distributor.**
  - ▲ **Use only MKL factory-authorized parts. The use of any part that is not factory-authorized can be dangerous and will void your warranty.**
  - ▲ **The regulator type and rating pressure shall be suited /matched with destination country's gas category as following: I3B/P(30) gas for (28~30)mbar of the outlet pressure of the regulator, I3+(28~30/37) gas for (28~30)mbar Butane/37mbar Propane of the outlet pressure of the regulator, I3B/P(50) gas for 50mbar of the outlet pressure of the regulator.**



## Disconnecting LP Gas Tank

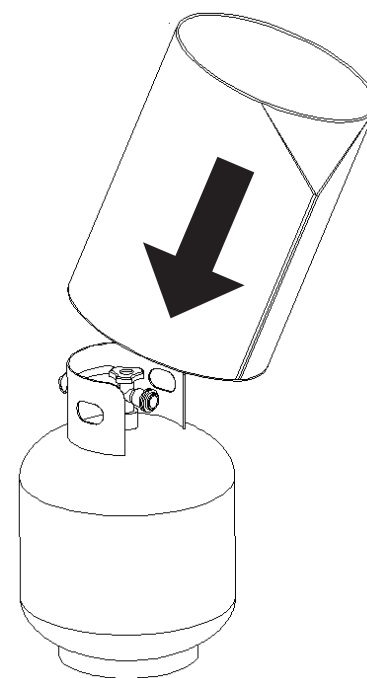
1. Before disconnecting, make sure the LP gas tank valve is "CLOSED."
  2. Disconnect regulator/hose assembly from LP gas tank by turning knob counterclockwise until it is loose.
- ▲ **CAUTION: LP gas tank must be properly disconnected and removed prior to moving this product.**
  - ▲ **If the product is not in use, the gas must be turned off at the supply cylinder and disconnected.**
  - ▲ **Do NOT attempt to disconnect the gas regulator from the cylinder or any gas fitting while the product is in use.**



- ▲ **WARNING:**
- ▲ **Do not connect the gas cylinder directly to the appliance without regulator.**
- ▲ **The tubing or the flexible hose must be changed within the prescribed intervals.**
- ▲ **Do NOT OBSTRUCT THE VENTILATION HOLES OF THE CYLINDER HOUSING.**
- ▲ **Do not move the appliance when in operation.**
- ▲ **Shut off the valve at the gas cylinder or the regulator before moving the appliance.**
- ▲ **In case of violent wind precautions must be taken against tilting of the appliance.**
- ▲ **This appliance must be used, and the gas cylinder stored, in accordance with the regulations in force.**

## Place LP Gas Tank Cover

Place the protective cap cover onto the LP tank and store the tank outdoors in a well ventilated area out of direct sunlight and away from children.



## Getting More LP Gas

Need a new tank of LP gas? One option is to try LP gas exchange. It's easy, fast, safe, and available at located retail, which are typically open nights and weekends. You can purchase a fresh, precision-filled tank or exchange your empty for a fresh, precision-filled tank. Another option is to have your tank refilled at a refill station. Be sure to check the hours of operation for the refill station.



## Important Mosquito Information

### Important Information

Your device operates 24 hours a day to trap and kill mosquitoes. It attracts female mosquitoes that are seeking a blood meal to nourish their eggs. By removing these females, you also remove their eggs. This product will provide the following results when used as directed:

- Attract, trap and kill mosquitoes.
- This product is not capable of:
  - Completely eliminating mosquito populations.
  - Eliminating the possibility of disease from mosquitoes.
- Begin operating the device once low temperatures remain above 10°C (50°F).
- To reduce and maintain mosquito populations, it is important for this product to operate continuously. Do NOT turn off the LP gas tank valve until the product turns off, then immediately replace the empty tank with a full tank of propane.
- Always contact our Customer Care Centre at 1.888.398.8643 before returning product to place of purchase.

### Important Information about Octenol

#### See Insert for First Aid and Precautionary Statements.

This device includes a lure that contains octenol (1-octen-3-ol). This lure is an effective attractant supplement for some mosquito species.

#### KEEP OUT OF REACH OF CHILDREN.

- ▲ **CAUTION: Harmful if swallowed, absorbed through the skin or inhaled. Avoid contact with skin, eyes and mouth. Wash hands thoroughly with soap and water after handling.**

### Mosquito Facts

- About 3,000 species of mosquitoes have been identified on a worldwide basis. Approximately 150 are known to exist in North America.
- There are approximately 25 known “human nuisance species” of mosquitoes.
- Most adult mosquitoes only have a life span of 2-4 weeks.
- Only female mosquitoes bite.

### Controlling Mosquitoes

In addition to properly installing and using this device, you can reduce mosquito breeding around your home significantly by reducing the amount of water that is stagnating on your property. Be aware that mosquitoes can and will develop in any puddle or pool of water that lasts more than 4 days.

- Dispose of cans, plastic containers, pots, or similar water-holding containers that have accumulated on your property.
- Drill holes in the bottom of containers that you must leave out of doors – trash cans, recycling bins, etc.
- Clean clogged roof gutters on an annual basis.
- Turn over plastic wading pools when not in use.
- Turn over wheelbarrows, empty planters, or children’s toys when not in use.
- Don’t allow water to stagnate in birdbaths.
- Aerate ornamental pools or stock them with fish.
- Clean and chlorinate swimming pools that are not being used. Don’t forget that mosquitoes breed in the water that collects on swimming pool covers.
- Use landscaping features or drainage tools to eliminate standing water that collects in low spots on your property.

## Placement

### Placement

#### Trap Placement

Properly positioning this device is important to maximizing performance. Since this device attracts mosquitoes it should be placed at least 3 m (10 feet) from your living areas.

Mosquitoes typically live in areas that are shady, wet and/or moist. Determine the primary mosquito habitat and place this device as close as possible to it.

If you live in an area with consistent wind, place the device upwind from the primary mosquito habitat.

Maximum performance may require relocating the device from time to time. To move, turn cylinder valve off and disconnect gas line. Then remove the stakes, place your foot on the cart base and tilt backward by holding the handle. Pull to the new location. Re-install stakes. **TIPPING DANGER:** ensure stakes are secure.

The location of your trap is a critical variable in maximizing capture rates. Most mosquito species avoid direct sunlight and wind so we recommend shaded, sheltered areas, preferably amongst bushes or shrubs and near any wetland area. Keep the trap away from areas frequented by humans and animals. Experiment with different locations to determine the most successful placement for your trap.

Find the sweet spot!

For the best performance from your Mosquito Trap, first determine the source of the mosquito nuisance (Mosquitoes breed in wet areas like streams, marshland, wooded areas and gardens). Then use these rules to site the Trap:

Rule 1: Place the Trap between the mosquito source and areas of human activity. Rule 2: Place the Trap as far away from people (> 10 meters) and as close to the mosquito source as possible.

Rule 3: Place the Trap upwind of the mosquito source but only if you can comply with Rule 1. (Mosquitoes smell pray upwinds)

Rule 4: Always place the Trap in a calm and shaded area. (Mosquitoes avoid heat and wind).

- ▲ **Product performance can vary due to weather, wind and other environmental conditions.**

- ▲ **Unit will operate at reduced efficiency below 10°C (50°F).**

#### Patience

Patience and experimentation are the keys to getting the best out of your Mosquito Trap. It may take as much as 2–4 weeks of use to reduce local populations to the point that breeding cycles are interrupted. You should not expect to completely get rid of mosquitoes. Plan ahead and operate the trap for several weeks in advance of outdoor social occasions. Read the manual and use common sense when placing the trap. Also try to reduce unnecessary still standing water in your area. Water puddles uncleaned gutters, old buckets etc are perfect breeding ground for mosquitoes. If you do this right the result will come.

DIY mosquito control made easy!

–Eliminate standing water in low spots, ditches, gutters and similar areas

– Empty receptacles that collect water (eg bird baths and pot plant saucers) –Reduce breeding sites by keeping grass mown

–Mosquito netting/screens can be used to provide mosquito-free areas

–Light coloured clothing is less attractive to some mosquito species and if tightly woven, can give some protection against biting

–Always carry personal mosquito protection in infested areas. We recommend Thermacell by Ampecta which is a highly effective, mobile and non toxic repellent system that instantly protects against mosquitoes.

### Operating Instructions

#### Checking for Leaks

##### Tank/Gas Line Connection

1. Make 125 mL (4 oz.) of leak detection solution by mixing one part liquid dishwashing soap with three parts water.
2. Connect LP gas tank per "Installing LP Gas Tank" section.
3. Turn LP gas tank valve to "OPEN."
4. Spoon several drops of solution, or use a squirt bottle, at all "X" locations (Figures 1 and 2).
  - a. If any bubbles appear, turn LP gas tank valve to "CLOSED," reconnect and re-test.
  - b. If you continue to see bubbles after several attempts, turn LP gas tank valve to "CLOSED" and disconnect LP gas tank, per "Disconnecting LP Gas Tank" section. Contact 1.888.398.8643 for assistance.
  - c. If no bubbles appear after one minute, turn LP gas tank valve to "CLOSED," wipe away solution and proceed.

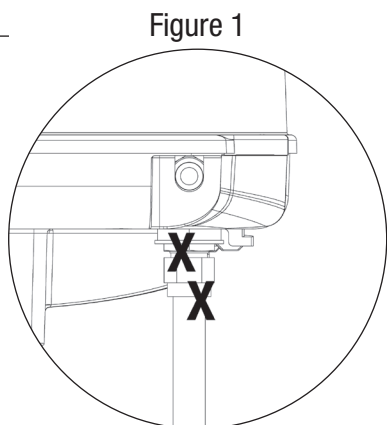


Figure 1

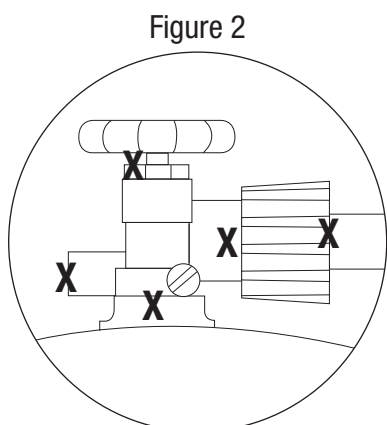


Figure 2

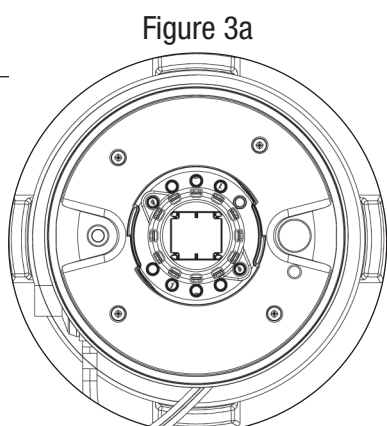


Figure 3a

Lure Output: Fully Open

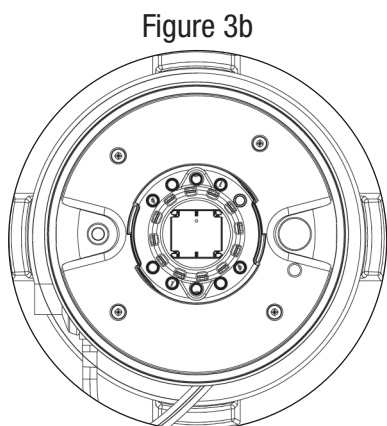


Figure 3b

Lure Output: Half Open

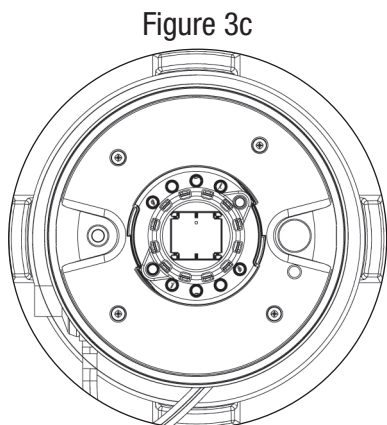


Figure 3c

Lure Output: Closed

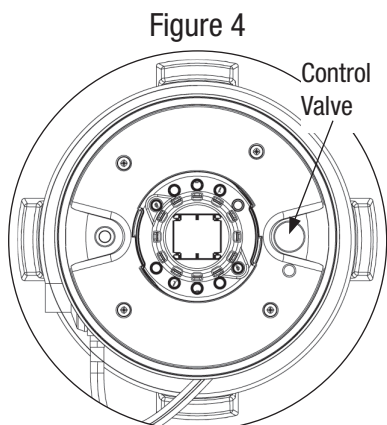


Figure 4

#### Lighting

- ▲ **CAUTION: Keep this area clear and free from combustible materials, gasoline and other flammable vapors and liquids.**
- ▲ **CAUTION: Do NOT obstruct the flow of combustion and ventilation air.**
- ▲ **CAUTION: Do NOT operate with WaveDrawer cover in place.**

1. Read instructions before lighting.
2. Check for obstructions of airflow.
3. Connect LP gas tank per "Installing LP Gas Tank" section.
4. Remove rain cover from top of SkeeterVac.
5. Turn LP gas tank valve slowly to "OPEN."
6. Press and hold control valve button (Figure 4).
7. IMMEDIATELY press and hold igniter button down until you hear a "POP" sound indicating ignition. Normally occurs within 20 seconds (Figure 5).
8. Continue to hold control valve button for 30 seconds.
9. You know ignition is complete when the needle on the engine gauge begin to move into the "Green"

### Operating Instructions (continued)

10. Replace rain cover.

▲ **CAUTION: If engine fails to light, shut LP gas off at tank and wait 5 minutes before attempting to restart the engine by following the lighting instructions.**

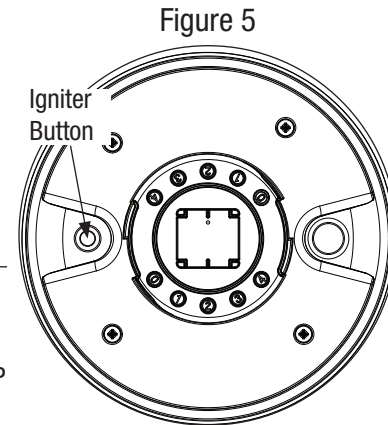


Figure 5

#### Turning Off

1. Turn LP gas tank valve to "CLOSED."  
Note: A "pooof" sound is normal as the last of the LP gas is burned.
2. Disconnect LP gas tank per "Disconnecting LP Gas Tank" instructions.

▲ **CAUTION: The gas supply must be turned off at the LP-gas tank when this outdoor gas appliance is not in use.**

### Cleaning and Care

See Insert for First Aid and Precautionary Statements.

- ▲ **CAUTION: All cleaning and maintenance should be done when the product is cool and with the fuel supply disconnected.**
- ▲ **CAUTION: Do NOT clean any part in a self-cleaning oven.**
- ▲ **CAUTION: This product should be thoroughly cleaned and inspected on a regular basis.**

#### Notices

1. Abrasive cleaners will damage this product.
2. Never use oven cleaner to clean any part of this product.

#### Before Each Use:

1. Keep the area clean and free from any combustible materials, gasoline, and other flammable vapors and liquids.
2. Do NOT obstruct the flow of the combustion of LP and the ventilation air.
3. Keep the ventilation opening(s) of the LP gas tank area free and clear from debris.
4. See "Cleaning Instructions" for proper cleaning instructions.

### Cleaning Instructions / Routine Service

To ensure maximum performance and to lengthen the life of this device, perform these steps each time your tank is empty. This model will consume a standard LP gas grill tank every 15-20 days.

Note: While unit is in use, check the following every 2-3 days:

- Check air passages for blockage.
1. Turn LP gas tank valve to "CLOSED."
  2. Disconnect LP gas tank per "Disconnecting LP Gas Tank" instructions.
  3. Remove rain cover from top of SkeeterVac.
  4. Remove used TacTrap and dispose of properly.
  5. Remove used FineTune lure (if necessary) and properly dispose.  
Note: FineTune Lure lasts at least 60 days.
  6. Lift engine and post off empty LP gas tank, and place on ground.
  7. Remove empty LP gas tank.
  8. Connect full LP gas tank per "Installing LP Gas Tank" instructions.
  9. Slide fresh TacTrap in place and remove protective paper.
  10. Remove fresh FineTune lure from package. Dispose of packaging properly.
  11. Place FineTune lure back into holder with holes on orienting upwards.
  12. From the illustrations provided, select the environment that best matches the area you are protecting
  13. Position the ring so it points to your environment. (Figures 3a, 3b and 3c).
  14. Check engine and gas lines for any sign of damage or missing parts. Repair any problems before attempting to start.
  15. Connect LP gas tank per "Connecting LP Gas Tank" instructions.
  16. Perform leak check per "Checking for Leaks" instructions.
  17. Light per "Lighting" instructions.
  18. Wash hands with soap and water.

### Replacing Igniter Battery

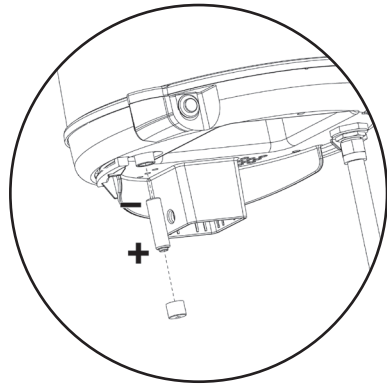
If you do not hear a clicking sound when the igniter button is depressed, the battery may have lost its charge. Replace battery as follows:

1. Turn LP gas tank valve to "CLOSED."
2. Open battery compartment by turning cap on bottom of engine counterclockwise.
3. Remove used battery and properly dispose.

### Cleaning and Care (continued)

4. Place fresh AA battery into compartment – negative (–) end goes in first (Figure 6).
5. Secure cap by turning clockwise until it stops.
6. Light per “Lighting” instructions.

Figure 6



### End of Season Storage

To lengthen the life of this device, perform these simple steps at the end of the mosquito season.

1. Turn LP gas tank valve to “CLOSED.”
2. Disconnect LP gas tank per “Disconnecting LP Gas Tank” instructions.
3. Remove tank cover.
4. Remove LP gas tank.
5. Place the protective cap cover on the LP tank and store the tank outdoors in a well ventilated area out of direct sunlight and away from children.
6. Remove and properly dispose of the TacTrap and FineTune lures.
7. Cover the device to protect it from dust.
8. Store it in a cool dry place.

**⚠ CAUTION: Storage of an outdoor gas appliance indoors is only permissible if the tank is disconnected and removed from the outdoor gas appliance.**

### Limited Warranty

MKL (“Vendor”) warrants to the original retail purchaser of this product, and to no other person, that if this product is assembled and operated in accordance with the printed instructions accompanying it, then for a period of one (1) year from the date of purchase, all parts in such product shall be free from defects in material and workmanship.

Vendor may require reasonable proof of your date of purchase. Therefore, you should retain your sales slip or invoice. This Limited Warranty shall be limited to the repair or replacement of parts, which prove defective under normal use and service and which Vendor shall determine in its reasonable discretion upon examination to be defective. Before returning any parts, you should contact Vendor’s Customer Service Department using the contact information listed below. If Vendor confirms, after examination, a defect covered by this Limited Warranty in any returned part, and if Vendor approves the claim, Vendor will replace such defective part without charge. If you return defective parts, transportation charges must be prepaid by you. Vendor will return replacement parts to the original retail purchaser, freight or postage prepaid.

This Limited Warranty does not cover any failures or operating difficulties due to accident, abuse, misuse, alteration, misapplication, improper installation or improper maintenance or service by you or any third party, or failure to perform normal and routine maintenance on the product as set out in this owner’s manual. In addition, the Limited Warranty does not cover damage to the finish, such as scratches, dents, discoloration, rust or other weather damage, after purchase.

This Limited Warranty is in lieu of all other express warranties. Vendor disclaims all warranties for products that are purchased from sellers other than authorized retailers or distributors, including the warranty of merchantability or the warranty of fitness for a particular purpose.

VENDOR ALSO DISCLAIMS ANY ALL IMPLIED WARRANTIES, INCLUDING WITHOUT LIMITATION THE IMPLIED WARRANTIES OF MERCHANTABILITY AND FITNESS FOR A PARTICULAR PURPOSE. VENDOR SHALL NO LIABILITY TO PURCHASER OR ANY THIRD PARTY FOR ANY SPECIAL, INDIRECT, PUNITIVE, INCIDENTAL, OR CONSEQUENTIAL DAMAGES. Vendor further disclaims any implied or express warranty of, and assumes no responsibility for, defects in workmanship caused by third parties.

This Limited Warranty gives the purchaser specific legal rights; a purchaser may have other rights depending upon where he or she lives. Some jurisdictions do not allow the exclusion or limitation of special, incidental or consequential damages, or limitations on how long a warranty lasts, so the above exclusion and limitations may not apply to everyone.

Vendor does not authorize any person or company to assume for it any other obligation or liability in connection with the sale, installation, use, removal, return, or replacement of its equipment, and no such representations are binding on Vendor.

If problems can not be correct by using these methods, please visit [www.predatormosquitotraps.com](http://www.predatormosquitotraps.com) or contact your local provider.

The use and installation of this product must conform to local codes.

#### IMPORTER AND DISTRIBUTOR:

**AMPLECTA**  
**AMPLECTA AB, AHLA 208,312 93 LAHOLM, SWEDEN**  
**[HTTP://WWW.AMPLECTA.COM](http://WWW.AMPLECTA.COM)**

#### MANUFACTURED IN CHINA FOR:

**MKL ENTERPRISES LTD.**  
**UNIT 1-3, 15/F TRENDY CENTRE, 682-684 CASTLE PEAK ROAD,**  
**CHEUNG SHA WAN, KOWLOON, HONG KONG**

**MADE IN P.R.C**

**Gas category, pressure and Countries destination**

Model No.	SV-35/CPSV003503	SV-35B	SV-35C
Heat input	0.33kW(24 g/h)		
Gas category	I <sub>3B/P(30)</sub>	I <sub>3+(28-30/37)</sub>	I <sub>3B/P(50)</sub>
Type of gas	Butane,propane and their mixture at (28~30) mbar	Butane at (28~30) mbar / Propane at 37 mbar	Butane,propane and their mixture at 50 mbar
Pressure	(28~30) mbar	(28~30) / 37 mbar	50 mbar
Destination countries	LU, NL,DK, FI, SE, CY, CZ, EE,LT, MT, SK, SI, BG, IS, NO, TR, HR, HU,RO, IT	BE, FR, IT,LU,IE,GB, GR,PT,ES,CY,CZ,LT, SK,CH,SI	AT, DE, CH,SK

**Product Pin Code: 2531DL -0028 .**

**Use only the type of gas and the type of cylinder specified in these instructions.**

**Read the instructions before using this appliance. Read the instructions before installation.**

**Keep the instructions for future reference.**

**The appliance must be installed in accordance with instructions and local regulations.**

**⚠ WARNING:**

**⚠ The use of this appliance in enclosed areas is DANGEROUS and is PROHIBITED.**

**1) For use outdoors or in amply ventilated areas;**

**2) This appliance is for outdoor use only! (outside any enclosure)**

### Troubleshooting

Problem	Possible Cause	Solution
<b>Product does not start</b>	LP gas tank valve is closed	Make sure regulator is securely attached to the LP gas tank per "Installing LP Gas Tank," then turn LP gas tank valve to "OPEN."
	LP gas tank is low or empty	Exchange, refill or replace LP gas tank.
	LP gas leak	<ol style="list-style-type: none"> <li>1. Turn LP gas tank valve to "CLOSED."</li> <li>2. Wait 5 minutes for gas to clear.</li> <li>3. Follow "Checking for Leaks" section.</li> </ol>
	Igniter does not work	<ol style="list-style-type: none"> <li>1. Turn off LP gas tank per "Turning Off" section.</li> <li>2. Press the igniter button (see figure 4).                             <ol style="list-style-type: none"> <li>a. If you hear a clicking sound, igniter is working.</li> <li>b. Replace the "AA" battery (follow assembly step for inserting battery).</li> </ol> </li> </ol>
	Too much air in hose line	<ol style="list-style-type: none"> <li>1. Connect LP gas tank per "Connecting LP Gas Tank" instructions.</li> <li>⚠ <b>Caution: Keep this appliance area clear and free from combustible materials, gasoline, other flammable vapors and liquids and open flames.</b></li> <li>2. Turn LP gas tank valve slowly to "OPEN."</li> <li>3. Press and hold control valve button for up to 3 minutes.</li> <li>4. Try and light product per "Lighting" instructions every 30 seconds until you hear a "POP" sound indicating ignition.</li> <li>5. If still not working refer to "Regulator needs to be reset."</li> </ol>
	Filter blocked	<ol style="list-style-type: none"> <li>1. Turn off LP gas tank per "Turning Off" instructions.</li> <li>2. Disconnect LP gas tank per "Disconnecting LP Gas Tank" instructions.</li> <li>3. Remove Regulator/Hose Assembly at product engine.</li> <li>4. Remove filter. Replace old filter with new filter.</li> <li>5. Reconnect Regulator/Hose Assembly at product engine.</li> <li>6. Perform leak check per "Checking for Leaks" instructions.</li> <li>7. Light product per "Lighting" instructions.</li> </ol>
	Regulator needs to be reset	<ol style="list-style-type: none"> <li>1. Turn off LP gas tank per "Turning Off" instructions.</li> <li>2. Disconnect LP gas tank per "Disconnecting LP Gas Tank" section.</li> <li>3. After 30 seconds, reconnect LP gas tank per "Connecting LP Gas Tank" instructions.</li> <li>4. Slowly turn the LP gas tank valve 3 full rotations to "OPEN."</li> <li>5. Perform leak check per "Checking for Leaks" instructions.</li> <li>6. Light SkeeterVac per "Lighting" instructions.</li> </ol>
Too damp or wet	<ol style="list-style-type: none"> <li>1. Connect LP gas tank per "Connecting LP Gas Tank" instructions.</li> <li>⚠ <b>Caution: Keep this appliance area clear and free from combustible materials, gasoline, other flammable vapors and liquids and open flames.</b></li> <li>2. Turn LP gas tank valve slowly to "OPEN."</li> <li>3. Press and hold control valve button (Figure 4).</li> <li>4. IMMEDIATELY press and hold igniter button down until you hear a "POP" sound indicating ignition. Normally occurs within 20 seconds.</li> <li>5. Continue to hold control valve button for 30 seconds.</li> <li>6. You know ignition is complete when:                             <ol style="list-style-type: none"> <li>a. the needle on the engine gauge begin to move into the "Green" zone.</li> <li>b. the LED lights flicker.</li> <li>c. the vacuum fan will be running with air flowing out of the bottom of the engine.</li> </ol> </li> </ol>	
<b>Engine not functioning properly</b>	LP gas tank is low or empty	Exchange, refill or replace LP gas tank
	LP gas leak	Follow "Checking for Leaks" instructions.
	Ventilation blocked	<ol style="list-style-type: none"> <li>1. Turn off LP gas tank per "Turning Off" instructions.</li> <li>2. Disconnect LP gas tank per "Disconnecting LP Gas Tank" instructions.</li> <li>3. Check ventilation openings and air-inlet to make sure clear of debris.</li> <li>4. Clean SkeeterVac per "Cleaning and Care" instructions.</li> </ol>
	Fan not working	<ol style="list-style-type: none"> <li>1. Verify the mosquito exterminator has been running for at least 10 minutes.</li> <li>2. Use a pencil and slowly turn fan blades.                             <ol style="list-style-type: none"> <li>a. If fan blades continue to turn on their own, allow SkeeterVac to continue to run.</li> <li>b. If fan blades stop, turn off LP gas tank per "Turning Off" instructions and clean mosquito exterminator. Clean mosquito exterminator per "Cleaning and Care" instructions.</li> </ol> </li> </ol>
<b>Product turns off suddenly</b>	Out of gas	Exchange, refill or replace LP gas tank
	Overheat protection switch (heat sensor) turned ON	<ol style="list-style-type: none"> <li>1. Turn off LP gas tank per "Turning Off" instructions.</li> <li>2. Disconnect LP gas tank per "Disconnecting LP Gas Tank" instructions.</li> <li>3. Let engine cool for 30-45 minutes.</li> <li>4. Connect LP gas tank per "Connecting LP Gas Tank" instructions.</li> <li>5. Light product per "Lighting" instructions.</li> <li>6. After 5 minutes of operation, verify LED lights and fan are working properly.</li> </ol>

For more assistance, please visit Mr. Bar-B-Q Products or call 1.888.398.8643.



## **WARNING**

**FOR YOUR SAFETY:**

**For Outdoor Use Only**  
(outside any enclosure)



## **WARNING**

**FOR YOUR SAFETY:**

- **Keep out of reach of children.**
- **Read the label and these instructions before using.**



## **DANGER**

**If you smell gas -**

- 1. Shut off gas to appliance.**
- 2. Extinguish any open flame.**
- 3. If odor continues, keep away from the appliance and immediately call your gas supplier or your fire department.**



IMPORTER AND DISTRIBUTOR:  
AMPLECTA  
AMPLECTA AB, AHLA 208,312 93 LAHOLM, SWEDEN  
[HTTP://WWW.AMPLECTA.COM](http://WWW.AMPLECTA.COM)

MADE IN P.R.C

U.S. Patent Number: D,533,621

©Mr. Bar-B-Q Products LLC. All Rights Reserved.