

TRINCIATRICI LATERALI

**BROYEURS D'ACCOTEMENT - SIDE SHREDDERS
SEITEMULCHGERÄTE - TRITURADORAS LATERALES**

CATALOGO PARTI DI RICAMBIO
SPARE PARTS CATALOGUE
CATALOGUE PIECES DE RECHANGE
ERSATZTEILLISTE
CATÁLOGO PARTES DE REQUESTO

FN · FP · FA · FZN · FZP
F 210 · FZ 210

per ordinare i pezzi di ricambio

Per una corretta ordinazione dei pezzi di ricambio è necessario indicare i seguenti elementi:

- 1) Modello della macchina,
 - 2) Numero di catalogo,
 - 3) Codice del ricambio,
 - 4) Quantità richiesta.
-

pour commander les pièces de rechange

Pour commander les pièces de rechange il faut indiquer:

- 1) Modèle de la machine,
 - 2) Nombre du catalogue,
 - 3) Code de la pièce de rechange,
 - 4) Quantité demandé.
-

to order the spare parts

To order the spare parts correctly you must specify:

- 1) Model of the machine,
 - 2) Catalogue number,
 - 3) Spare part code number,
 - 4) Required quantity.
-

um die Ersatzteile zu bestellen

Für eine korrekte Bestellung der Ersatzteilen müssen die folgende Einzelheiten angegeben werden:

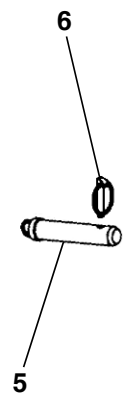
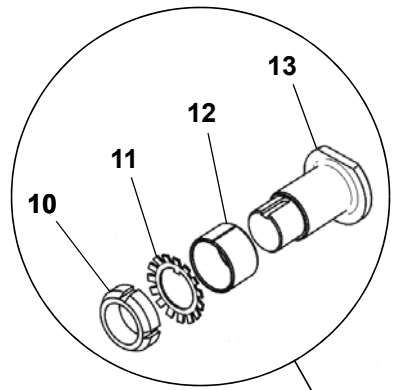
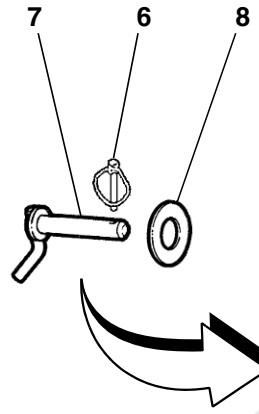
- 1) Gerät-Modell,
 - 2) Katalog-Nummer,
 - 3) Teil-Nummer,
 - 4) Gewünschte Menge.
-

para pedir las partes de requesto

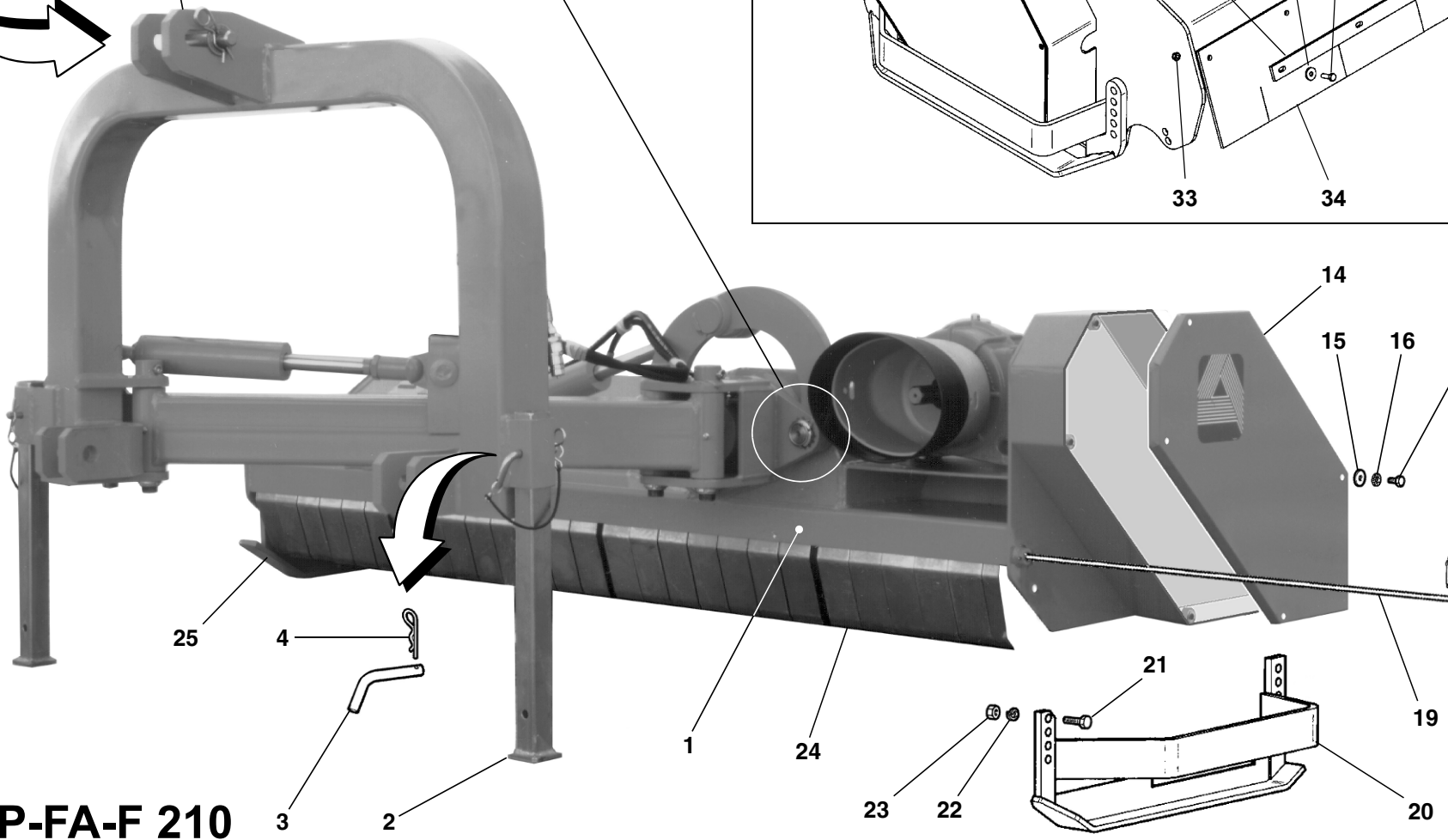
Para pedir correctamente las partes de requesto se tiene que especificar:

- 1) Modelo de la máquina,
- 2) Número de catálogo,
- 3) Código de la parte de requesto,
- 4) Cantidad pedida.

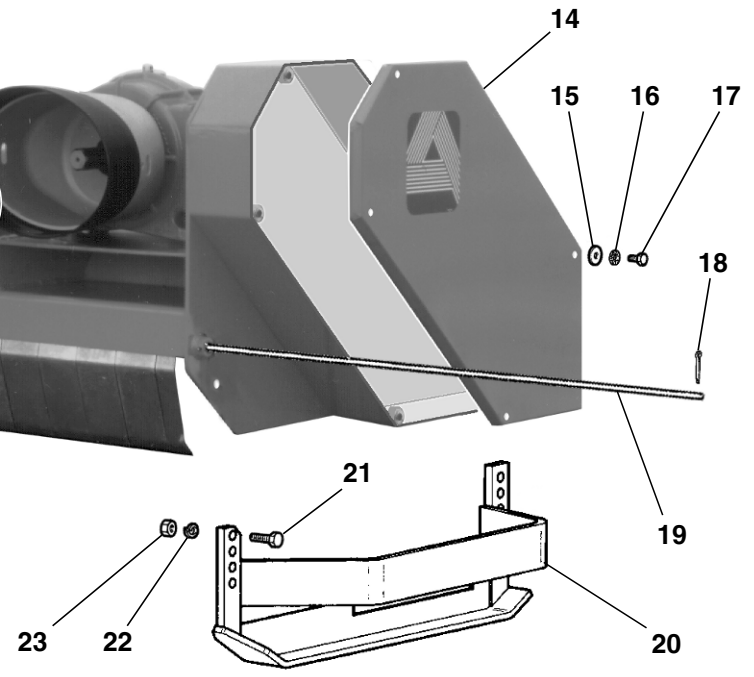
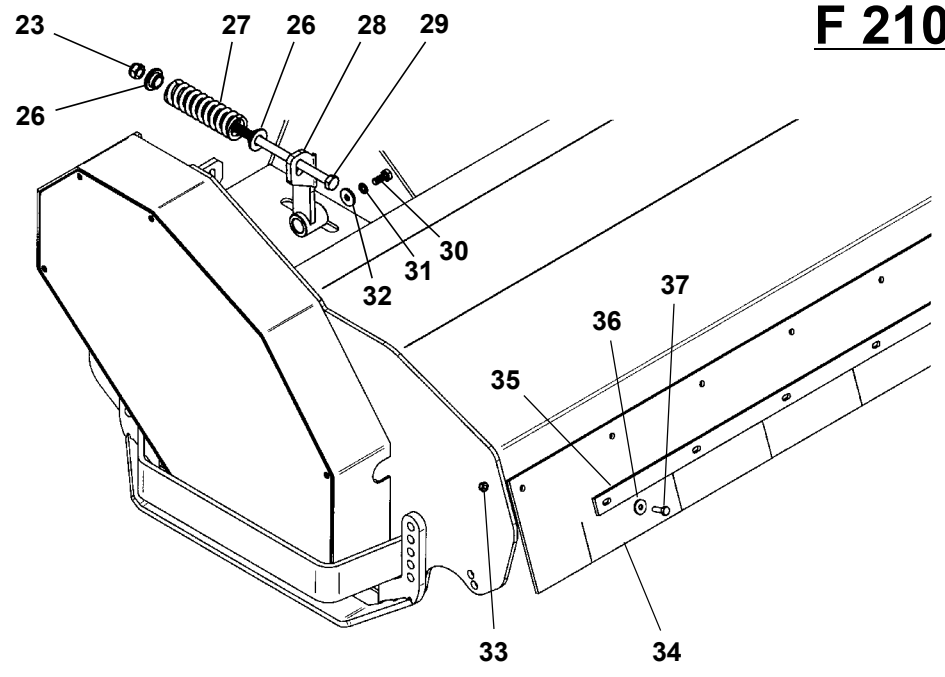
TAV. 619



FN-FP-FA-F 210



F 210



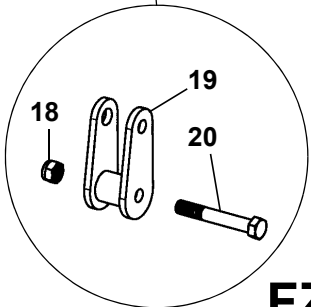
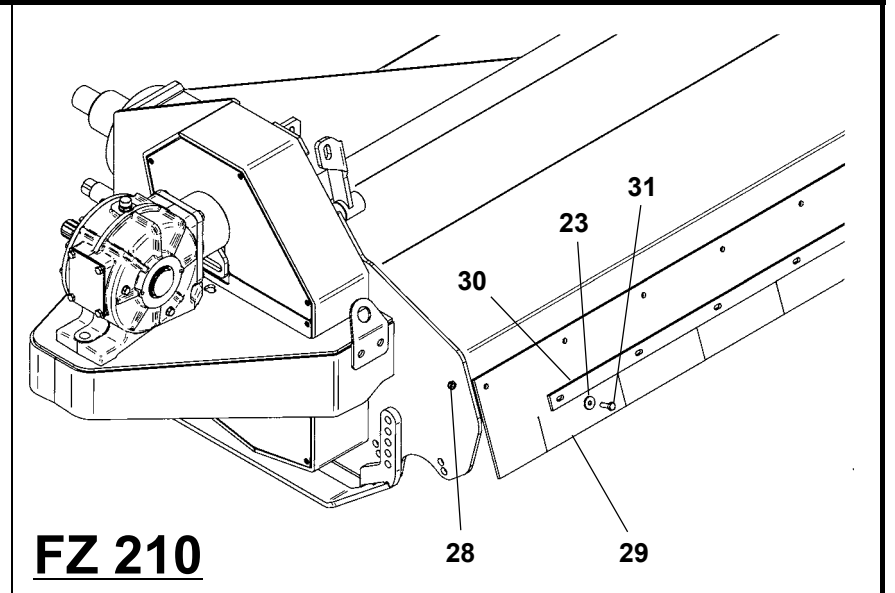
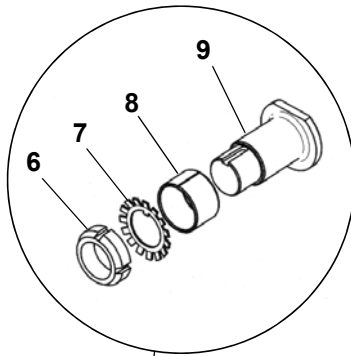
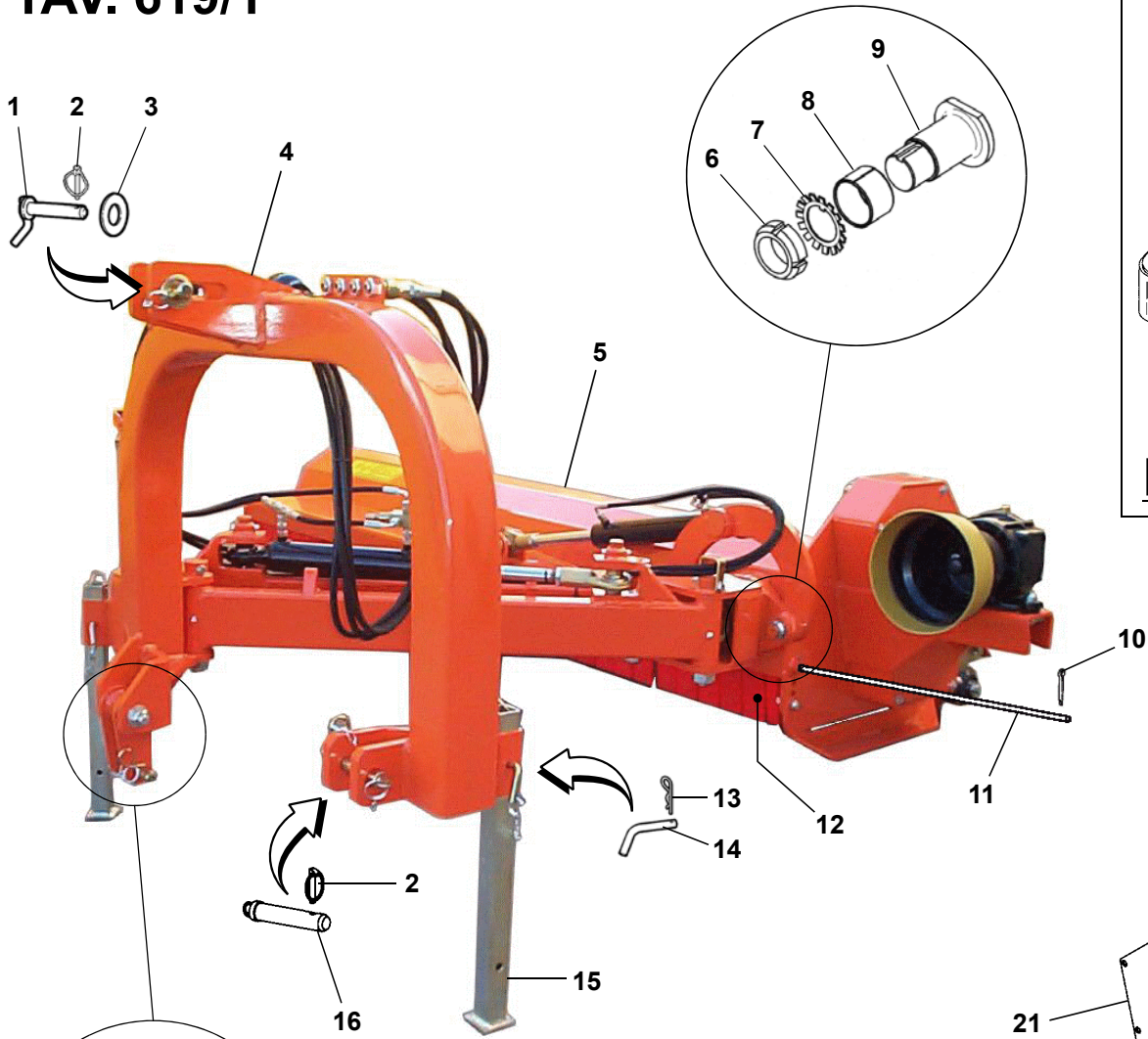
TAV. 619

RIF.	CODICE	DESCRIZIONE	N.
1	3010403	F 210	1
	3010968	FN 150	1
	3010962	FN 175	1
	3010967	FN 200	1
	3010963	FN 225	1
	3005113	FP 150	1
	3005114	FP 175	1
	3005115	FP 200	1
	3005231	FP 225	1
	3005116	FA 150	1
	3005117	FA 175	1
	3005118	FA 200	1
	3006560	FA 225	1
2	3000741		2
3	3000088		2
4	0002115	ø4	2
5	3010160		2
6	0002101	ø9	3
7	3001508		1
8	3000178		1
9	3010419	F 210	1
	3011158	FN-FP-FA 150/200	1
	3009261	FN-FP-FA 225	1
10	1036630	M30x1,5	1
11	1630006		1
12	0001483	F 210 • FN-FP-FA 150/225	1

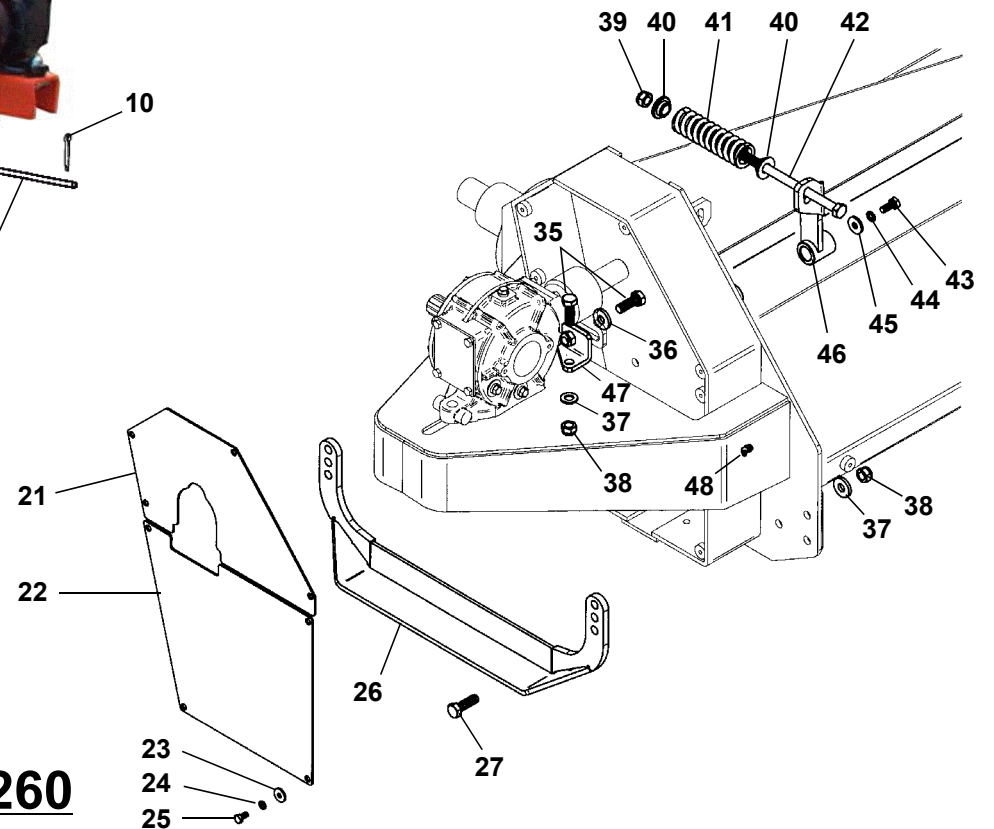
RIF.	CODICE	DESCRIZIONE	N.
13	3009486	F 210 • FN-FP-FA 150/225	1
14	3010414	FN 150/225 • F 210	1
	3002318	FP-FA 150/225	1
15	1309242	ø8 UNI6593 FN 150/225 • F 210	6
	1309242	ø8 UNI6593 FP-FA 150/225	5
16	1508150	ø8 DIN6798A FN 150/225 • F 210	6
	1508150	ø8 DIN6798A FP-FA 150/225	5
17	1110804	M8x16 UNI5739 FN 150/225 • F 210	6
	1110804	M8x16 UNI5739 FP-FA 150/225	5
18	1559028	ø4x45 UNI1336	1
19	3010304	F 210	1
	3000316	FN-FP-FA 150	1
	3000317	FN-FP-FA 175	1
	3000318	FN-FP-FA 200	1
	3000444	FN-FP-FA 225	1
20	3005833	Sx	1
21	1111416	M14x45 UNI5739 F 210	4
	1111414	M14x40 UNI5739 FN-FP-FA	4
22	1114000	ø14 UNI6592	4
23	1012414	M14 UNI7474 F 210	5
	1012414	M14 UNI7474 FN-FP-FA	4
24	3008685	L=70 F 210	28
	3008685	L=70 FN-FP-FA 150	20
	3008685	L=70 FN-FP-FA 175	23
	3008685	L=70 FN-FP-FA 200	26
	3008686	L=32 F 210 • FN-FP-FA 200	1

RIF.	CODICE	DESCRIZIONE	N.
	3008685	L=70 FN-FP-FA 225	30
25	3007049	Dx	1
26	3001093		2
27	3004156		1
28	3008550		1
29	3004948		1
30	1111008	M10x25 UNI5739	1
31	1210000	ø10 UNI1751	1
32	1410304	ø10,5x30x4	1
33	1012408	M8 UNI7474	11
34	3010452		1
35	3010412		1
36	1309243	ø8 UNI6593	22
37	1110808	M8x25 UNI5739	11

TAV. 619/1



FZ 210-FZN 175/225-FZP 175/260



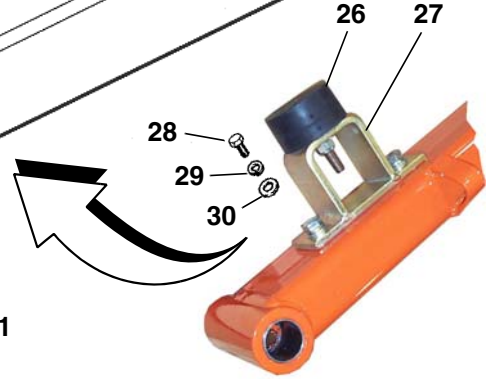
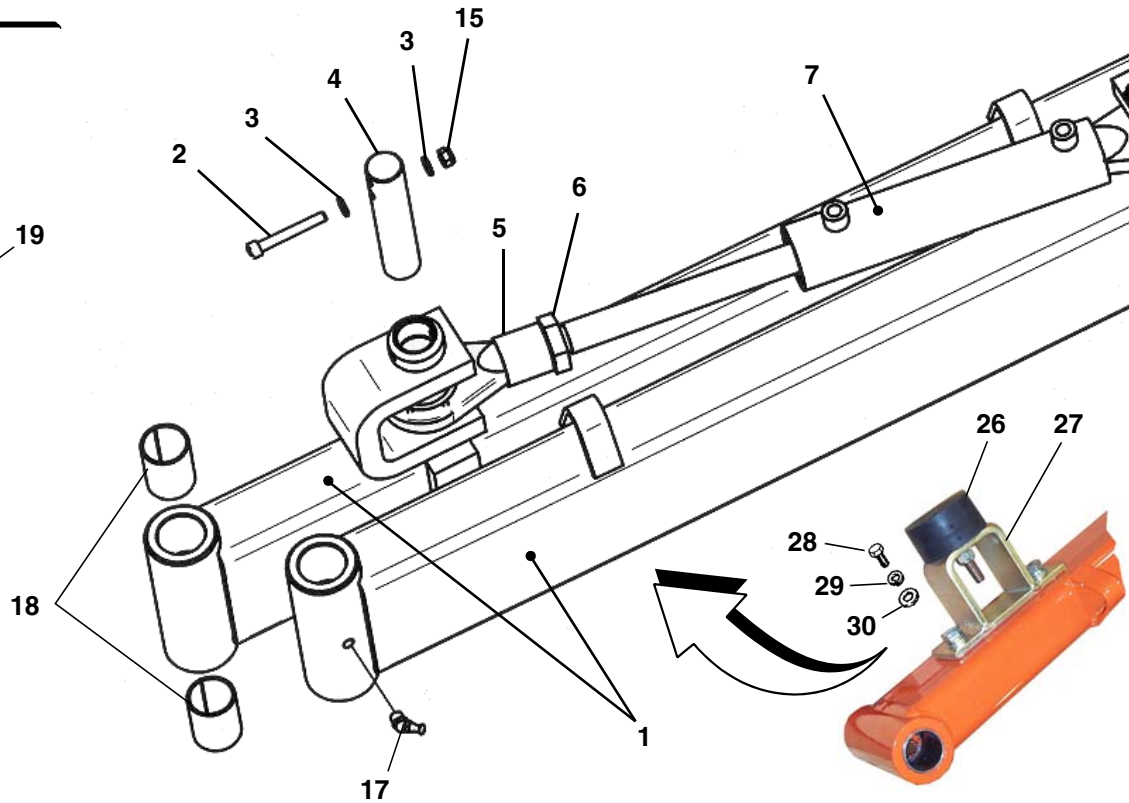
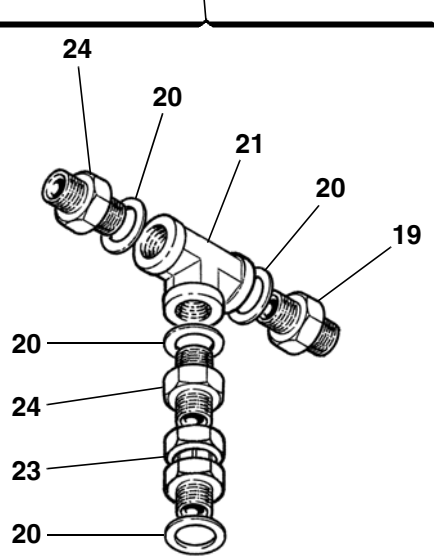
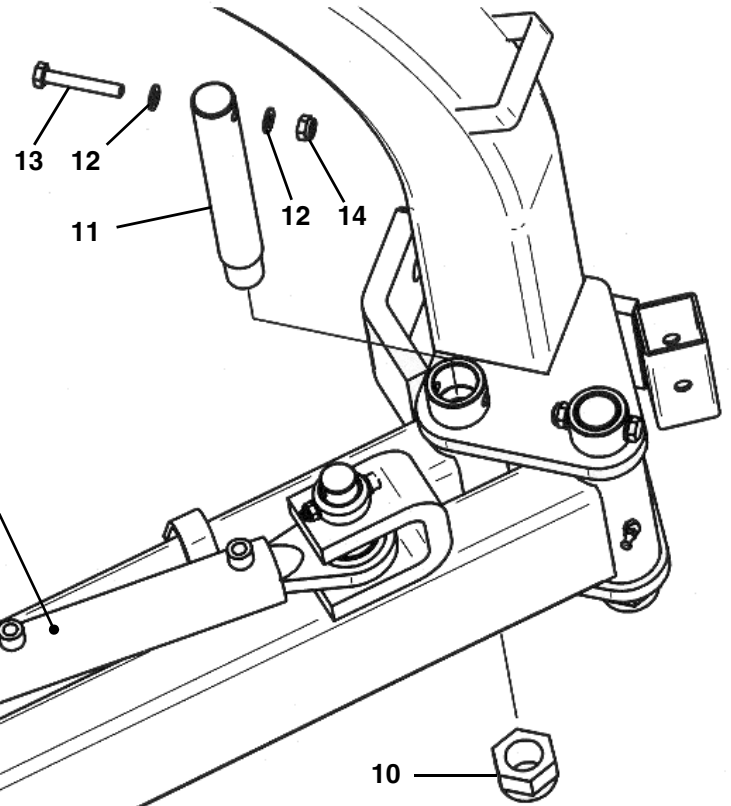
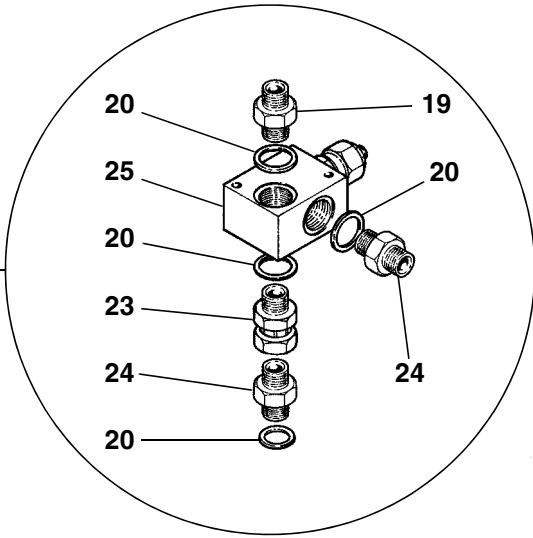
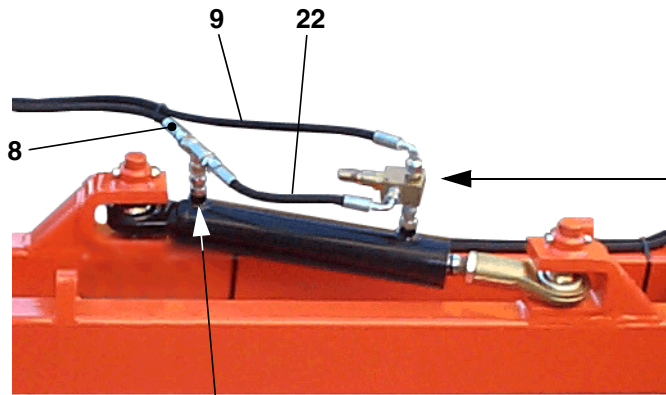
TAV. 619/1

RIF.	CODICE	DESCRIZIONE	N.
1	3001508		1
2	0002101	ø9	3
3	3000178		1
4	3009261	FZN-FZP 175/225	1
	3009515	FZP 260	1
	3010419	FZ 210	1
5	3010448	FZ 210	1
	3011010	FZN 175	1
	3010965	FZN 200	1
	3010966	FZN 225	1
	3011123	FZP 175	1
	3009630	FZP 200	1
	3009562	FZP 225	1
	3009839	FZP 260	1
6	1036630	M30x1,5	1
7	1630006		1
8	0001483	35x39x40	1
9	3009486		1
10	1559028	ø4,5x45 UNI1336	1
11	3010304	FZ 210	1
	3000317	FZN-FZP 175	1
	3000318	FZN-FZP 200	1
	3000444	FZN-FZP 225	1
	3000445	FZP 260	1
12	3008685	L=70 FZ 210	28
	3008685	L=70 FZN-FZP 175	23

RIF.	CODICE	DESCRIZIONE	N.
	3008685	L=70 FZN-FZP 200	26
	3008685	L=70 FZN-FZP 225	30
	3008685	L=70 FZP 260	34
	3008686	L=32 FZ 210 • FZP 200-260	1
13	0002115	ø4	2
14	3000088		2
15	3000741		2
16	3010160		2
18	1012422	M22 UNI7474	1
19	3010447		1
20	1102258	M22x150 UNI5737	1
21	3010976		1
22	3009854		1
23	1309243	ø8x24x3 UNI6593	30
24	1508150	ø8 UNI6798A	8
25	1110804	M8x16 UNI5739	8
26	3007049		2
27	1111416	M14x45 UNI5739	4
28	1012408	M8 UNI7474	11
29	3010452		1
30	3010412		1
31	1110808	M8x25 UNI5739	11
35	1111414	M14x40 UNI5739	2
36	3001118	ø14,5x35x5	1
37	1114000	ø14 UNI6592	5
38	1012414	M14 UNI7474	6

RIF.	CODICE	DESCRIZIONE	N.
39	1012514	M14 UNI5588	1
40	3001093		2
41	3004156		1
42	3004948		1
43	1111008	M10x25 UNI5739	1
44	1210000	ø10 UNI1751	1
45	1410304	ø10,5x30x4	1
46	3008550		1
47	3009282		1
48	0002653	M10x1x45°	

TAV. 620



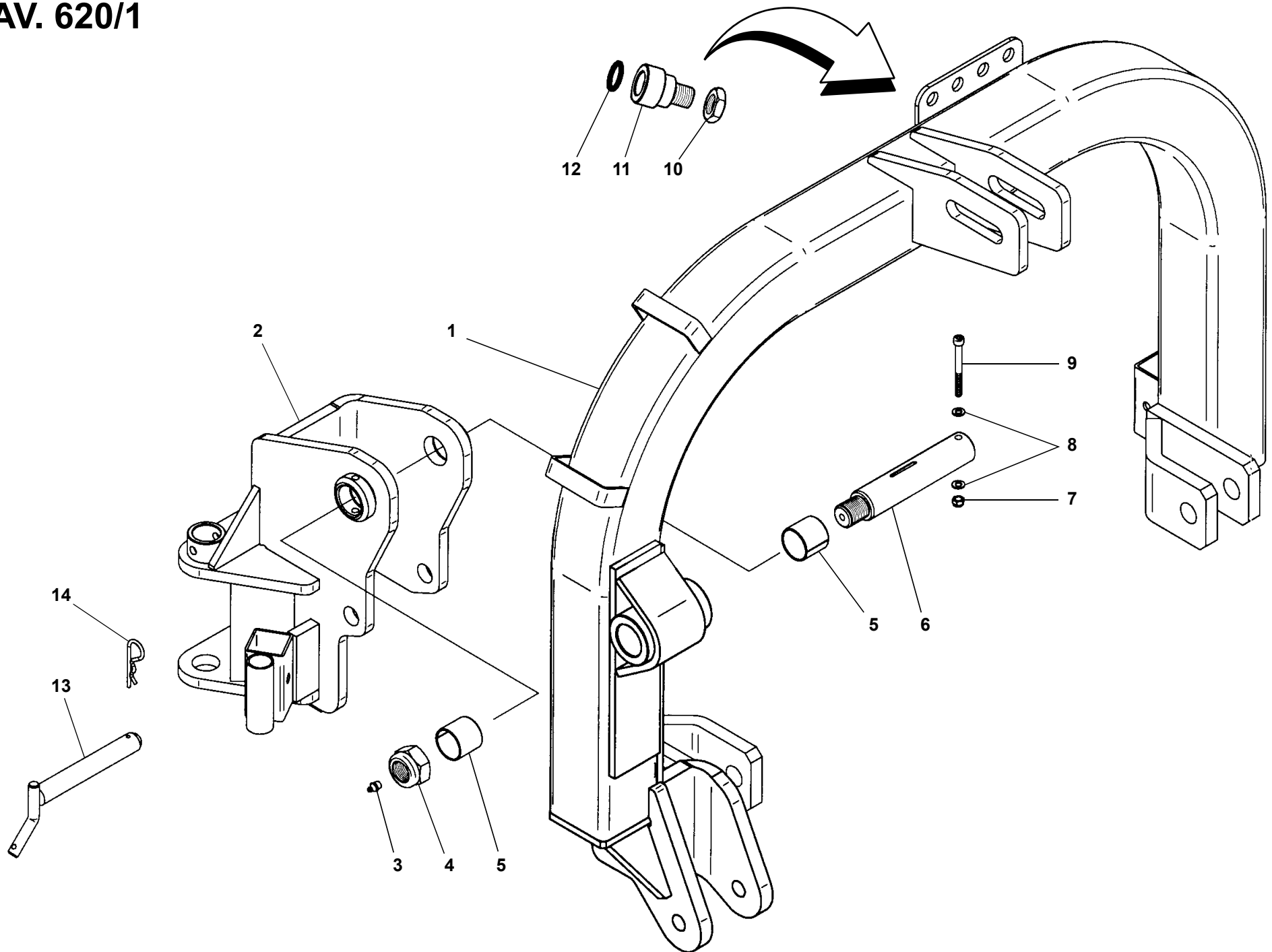
TAV. 620

RIF.	CODICE	DESCRIZIONE	N.
1	3010437	F 210 - FZ 210	2
	3009229	FP-FA 150/225 • FZP 175/260 FN 150/2225 • FZN 175/225	2
2	1120820	M8x55 UNI5931	2
3	1108000	ø8 UNI6592	4
4	3007538		2
5	3005164		1
6	1021527	M27x2 UNI5589	1
7	3005048	FP-FA 150/225	1
	3009269	F-FZ 210 • FZP 175/260 FN 150/225 • FZN 175/225	1
8	0004054		1
9	0003892		1
10	1022430	M30x2 UNI7474	4
11	3010451	F 210 - FZ 210	2
	3005058	FP-FA 150/225 • FZP 175/260 FN 150/200 • FZN 175/225	2
12	1110000	ø10 UNI6592	4
13	1101024	M10x65 UNI5737	2
14	1012410	M10 UNI7474	2
15	1012408	M8 UNI7474	2
17	0002653	M10x1x45°	4
18	0001476	KU 35x39x50	8
19	3005142	1/4"	2
20	0002017	1/4"	8
21	0002406	1/4"	1
22	0005602		1

RIF.	CODICE	DESCRIZIONE	N.
23	0002413	1/4"	2
24	0002302	1/4"	4
25	0004130	1/4"	1
26	0002121		1
27	3008898		1
28	1111208	M12x25 UNI5739	2
29	1212000	ø12 UNI1751	2
30	1112000	ø12 UNI6592	2

RIF.	CODICE	DESCRIZIONE	N.

TAV. 620/1



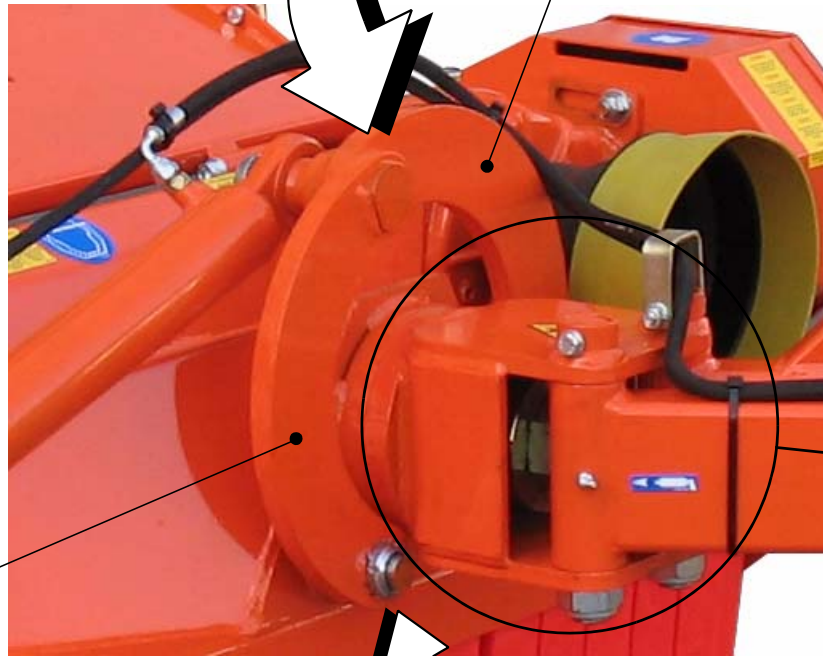
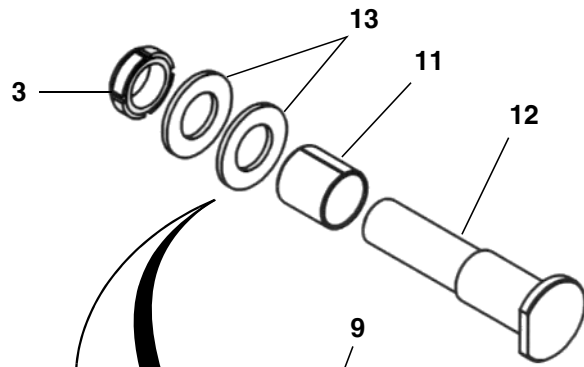
TAV. 620/1

RIF.	CODICE	DESCRIZIONE	N.
1	3010419	F-FZ 210	1
	3011154	FP-FA 150/200 – FN 150/200	1
	3009515	FP 225 – FZP 175/260 FZN 175/225	1
2	3010420	F-FZ 210	1
	3009514	FP-FA 150/225 – FZP 175/260 FN 150/200 – FZN 175/225	1
3	0002654	M10x1	1
4	1022430	M30x2 UNI7474	1
5	0001464	KU 40x44x40	2
6	3007609		1
7	1012408	M8 UNI7474	1
8	1108000	ø8 UNI6592	2
9	1120830	M8x80 UNI5931	1
10	1021518	M18x1,5 UNI5589	4
11	3005472	1/2"	4
12	0001715	OR 4093-131	4
13	3002134		1
14	0002115	ø4	1

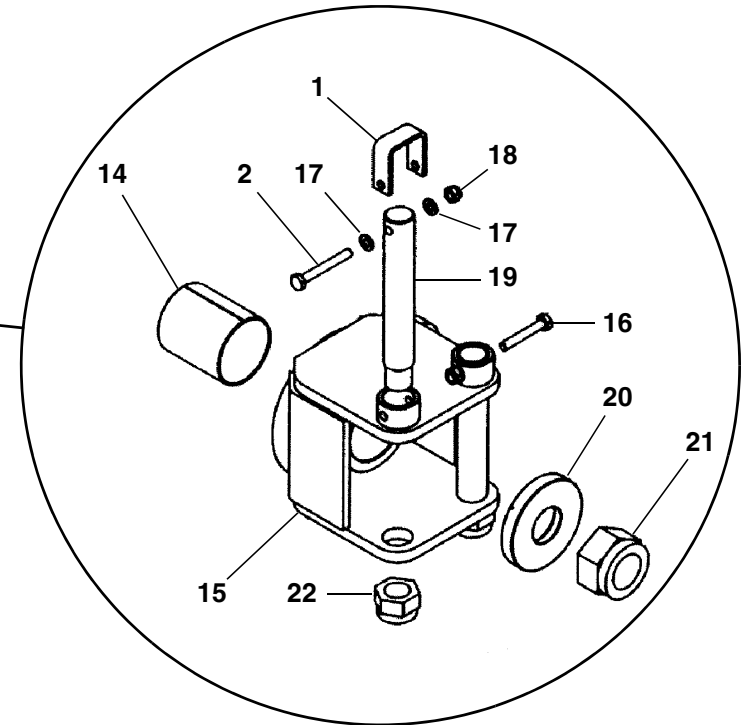
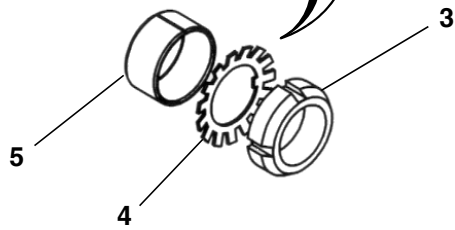
RIF.	CODICE	DESCRIZIONE	N.
------	--------	-------------	----

RIF.	CODICE	DESCRIZIONE	N.
------	--------	-------------	----

TAV. 621



6



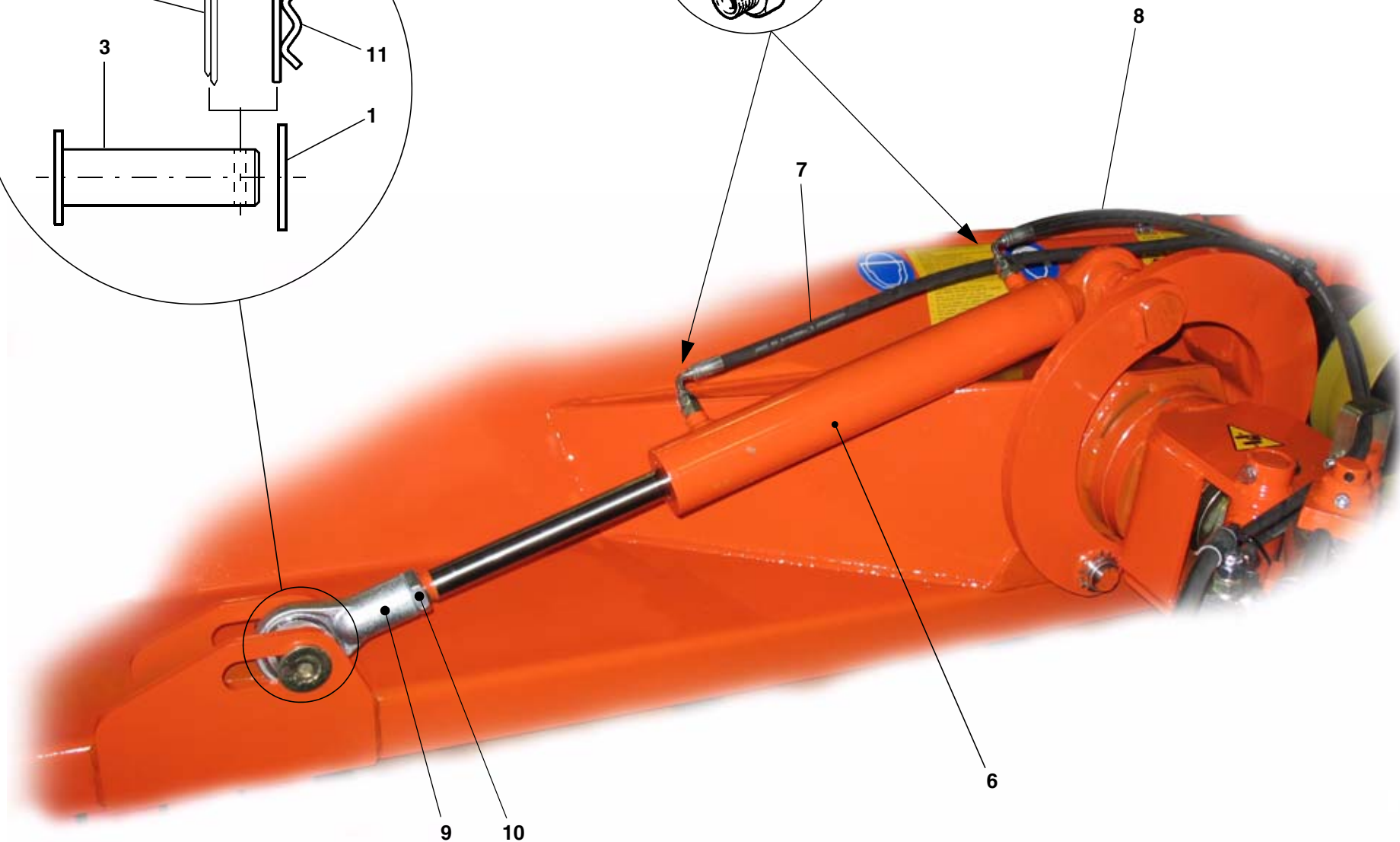
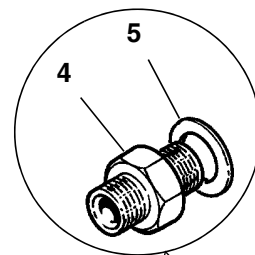
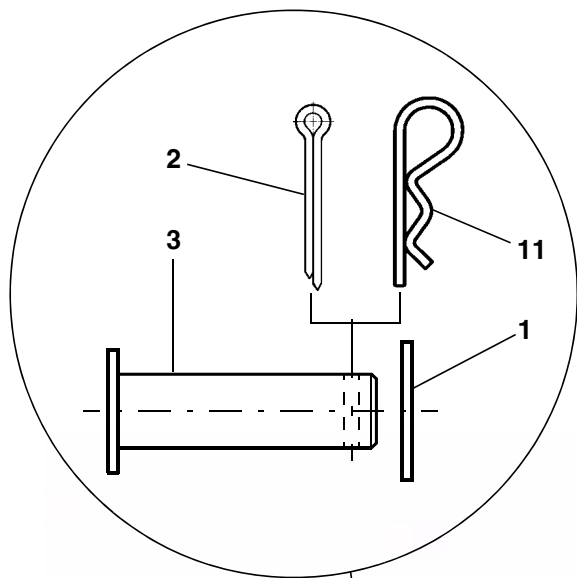
TAV. 621

RIF.	CODICE	DESCRIZIONE	N.
1	3005259		1
2	1101030	M10x80 UNI5737	1
3	1036630	M30x1,5	2
4	1630006		1
5	0001481	KU 35x39x20	1
6	3009907	FP-FA 150/225 • FZP 175/200 FN 150/200 • FZN 175/225	1
	3011789	FZP 225-260 • F-FZ 210	1
9	3009484	FP-FA 150/225 • FZP 175/200 FN 150/200 • FZN 175/225	1
	3011790	FZP 225-260 • F-FZ 210	1
11	0001483	KU 35x39x40	1
12	3009487		1
13	3007649		2
14	0001484	KU 80x85x100	1
15	3010433	F-FZ 210	1
	3009227	FP-FA 150/225 • FZP 175/260 FN 150/200 • FZN 175/225	1
16	1101024	M10x65 UNI5737	1
17	1110000	ø10 UNI6592	4
18	1012410	M10 UNI7474	2
19	3010451	F-FZ 210	2
	3005058	FP-FA 150/225 • FZP 175/260 FN 150/200 • FZN 175/225	2
20	3004999		1
21	1022445	M45x3 UNI7474	1
22	1022430	M30x2 UNI7474	2

RIF.	CODICE	DESCRIZIONE	N.

RIF.	CODICE	DESCRIZIONE	N.

TAV. 621/1



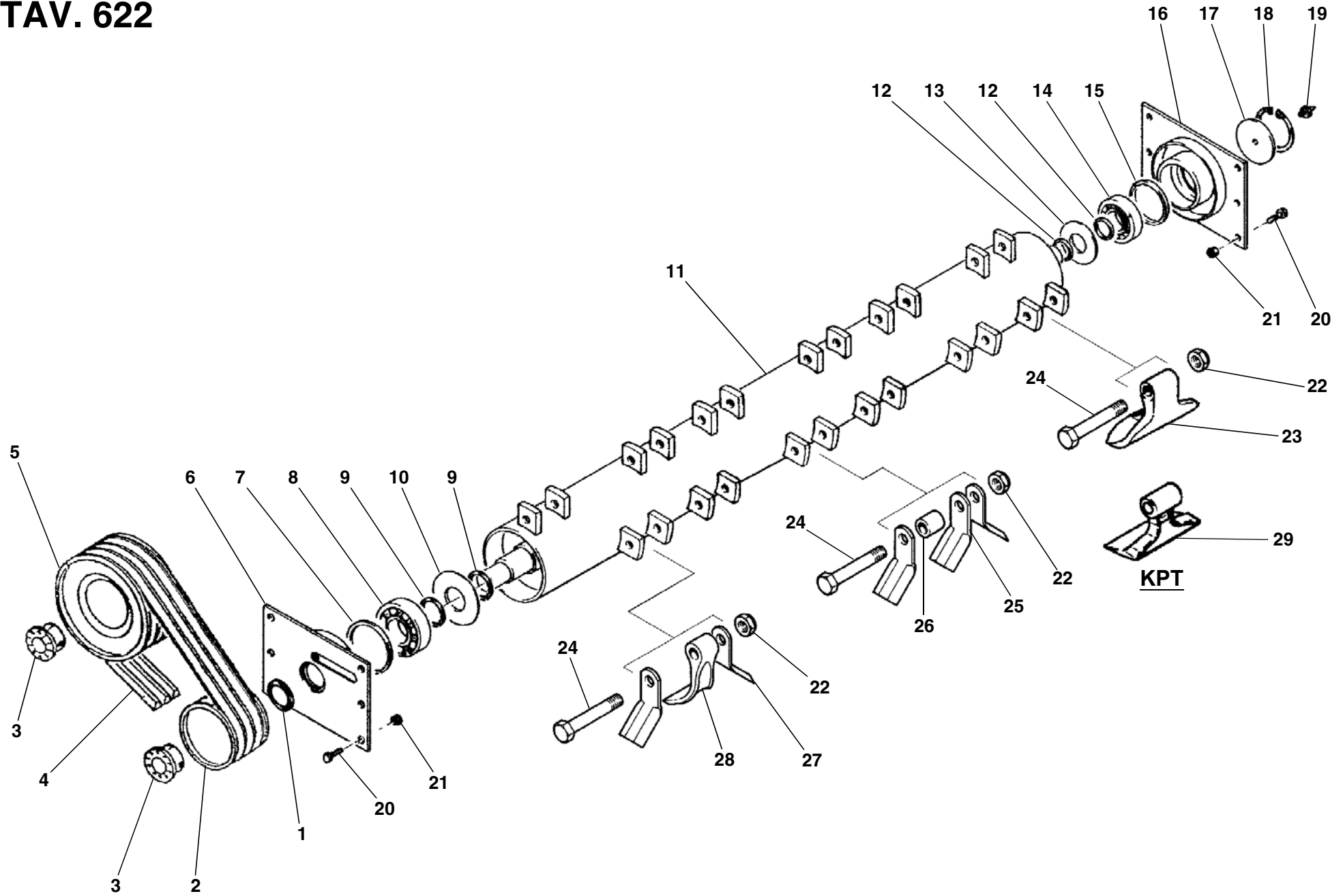
TAV. 621/1

RIF	CODICE	DESCRIZIONE	N.
1	1130000	ø30 UNI6592 FP-FA-FN 150/200 FZN 175/225 • FZP 175-200 F-FZ 210	1
	1130000	ø30 UNI6592 FP-FA 225 FZP 225-260	2
2	1559043	ø6,3x50 UNI6592 FP-FA 225 FZP 225-260	1
3	3005066	FP-FA-FN 150/200 • FZP 175-200 FZN 175/225 • FZ 210	1
	3005066	FP-FA 225 • FZP 225-260	2
4	3005142	1/4"	2
5	0002017	1/4"	2
6	3005047	FP-FA 150/225 • F 210 • FN 150/200	1
	3009270	FZ 210 • FZN 175/225 FZP 175/260	1
7	0003838		1
8	0003881		1
9	3005164		1
10	1021527	M27x2 UNI5589	1
11	0002116	ø5 FP-FA 225 • FZP 225-260	1

RIF	CODICE	DESCRIZIONE	N.
-----	--------	-------------	----

RIF.	CODICE	DESCRIZIONE	N°
------	--------	-------------	----

TAV. 622



FA - FP

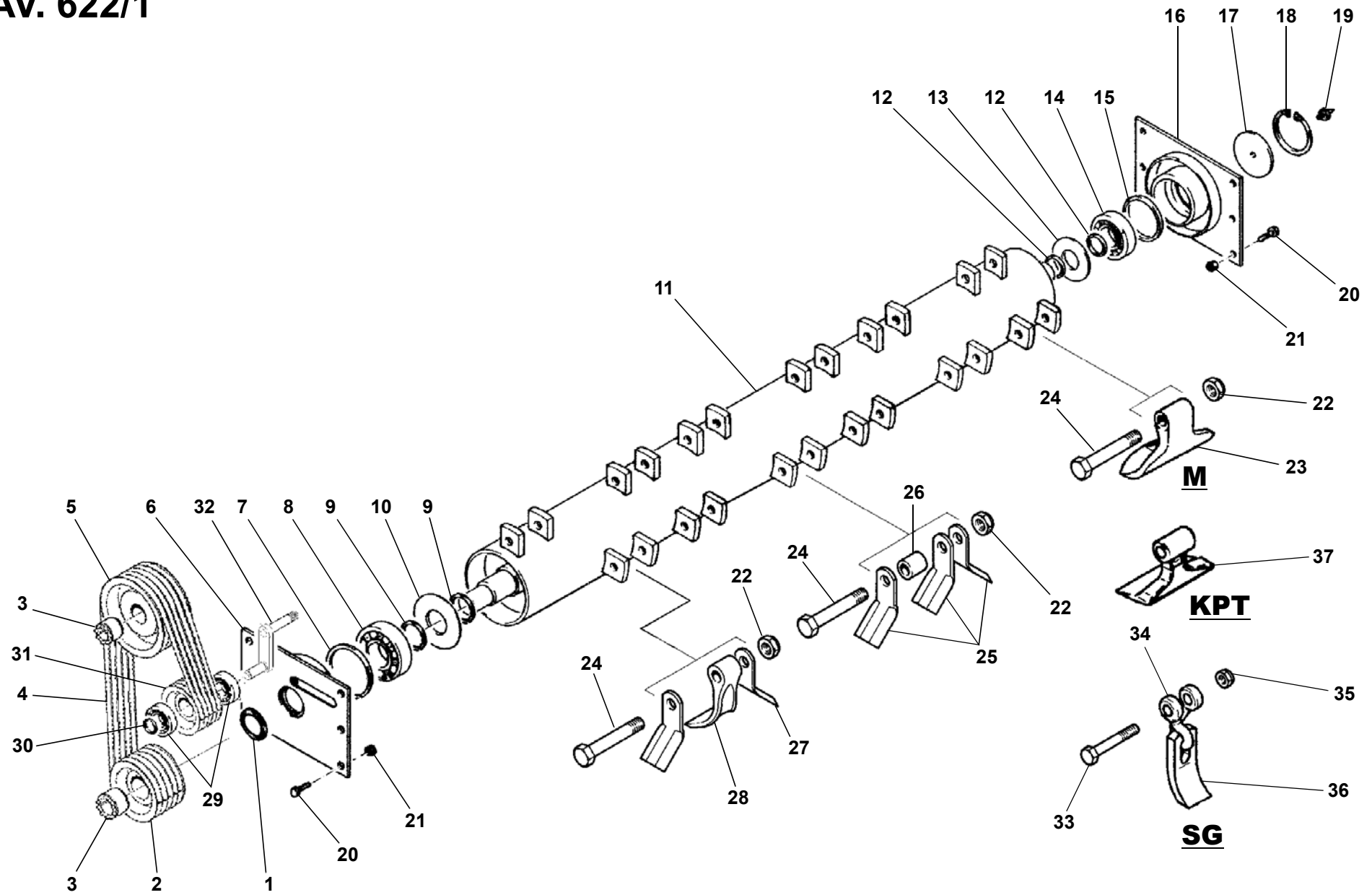
TAV. 622

RIF.	CODICE	DESCRIZIONE	N.
1	0001821	55x75x5,5	1
2	3000369	SPB 180x3 FP-FA 150	1
	3000370	SPB 180x4 FP-FA 175/200	1
	3000099	SPB 160x5 FP-FA 225	1
3	0001332	45x80	2
4	0001016	SPB-X 1400 FP-FA 150	3
	0001016	SPB-X 1400 FP-FA 175/200	4
	0001006	SPB-X 1320 FP-FA 225	5
5	3001663	SPB 225x3 FP-FA 150	1
	3001027	SPB 225x4 FP-FA 175/200	1
	3000497	SPB 180x5 FA-FP 225	1
6	3000225	Sx	1
7	3001936	99x119x3	1
8	0001400	1311	1
9	3000347	58x65x1	6
10	3000346	Sx	1
11	3000288	FP-FA 150	1
	3000277	FP-FA 175	1
	3004281	FP-FA 200	1
	3000385	FP-FA 225	1
12	3000180	45x51,5x1,5	2
13	3000345	Dx	1
14	0001401	1309	1
15	3001935	89,2x99x3	4
16	3001009	Dx	1
17	3001012		1

RIF.	CODICE	DESCRIZIONE	N.
18	1020100	Seeger I 100 UNI7437	1
19	0002654	M10x1	1
20	1111410	M14x30 UNI5739	12
21	1012414	M14 UNI7474	12
22	1012420	M20 UNI7474 FP-FA 150	12
	1012420	M20 UNI7474 FP-FA 175	16
	1012420	M20 UNI7474 FP-FA 200/225	20
23	3001119	FP-FA 150	12
	3001119	FP-FA 175	16
	3001119	FP-FA 200/225	20
24	3002392	M20x120 FP-FA 150	12
	3002392	M20x120 FP-FA 175	16
	3002392	M20x120 FP-FA 200/225	20
25	3000323	FP-FA 150	36
	3000323	FP-FA 175	48
	3000323	FP-FA 200/225	60
26	3000552	FP-FA 150	12
	3000552	FP-FA 175	16
	3000552	FP-FA 200/225	20
27	3000323	FP-FA 150	24
	3000323	FP-FA 175	32
	3000323	FP-FA 200/225	40
28	3000548	FP-FA 150	12
	3000548	FP-FA 175	16
	3000548	FP-FA 200/225	20
29	3011270	FP-FA 150	12

RIF.	CODICE	DESCRIZIONE	N.
	3011270	FP-FA 175	16
	3011270	FP-FA 200/225	20

TAV. 622/1



FN - FZN - FZP - F/FZ 210

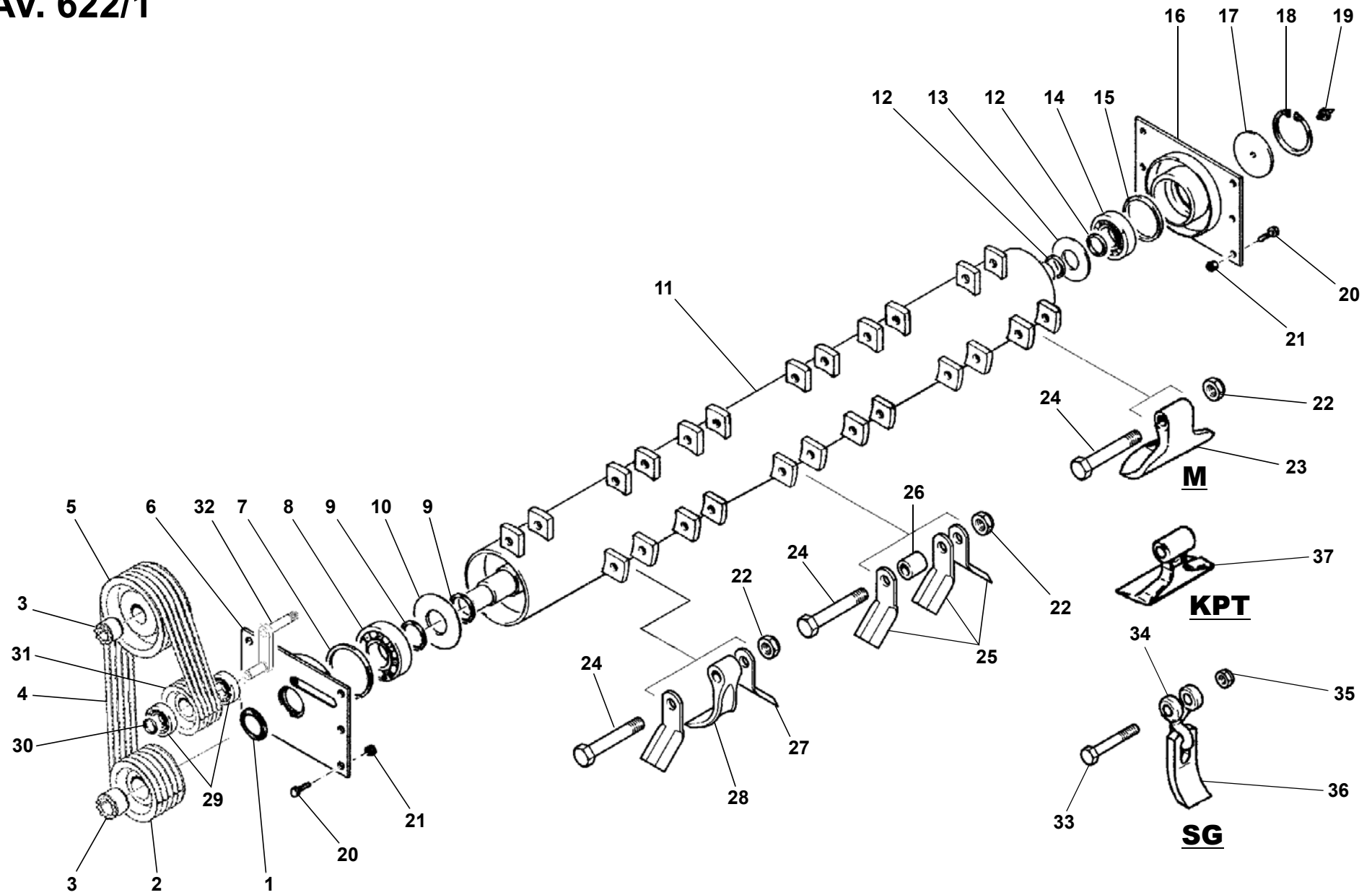
TAV. 622/1

RIF.	CODICE	DESCRIZIONE	N.
1	0001821	55x75x5,5	1
2	3000369	SPB 180x3 FN 150	1
	3000370	SPB 180x4 FN 175-200	1
	3000099	SPB 160x5 F-FZ 210 • FN 225	1
	3000099	SPB 160x5 F 210 M - KPT	1
	3007680	SPB 150x5 FZ 210 M - KPT	1
	3000370	SPB 180x4 FZP/FZN 175-200	1
	3000497	SPB 180x5 FZN 225 • FZP 225-260	1
3	0001332	45x80	2
4	0001000	SPB-X 1500 FN 150	3
	0001000	SPB-X 1500 FN 175-200	4
	0001016	SPB-X 1400 FN 225	5
	0001000	SPB-X 1500 F 210	5
	0001034	SPB-X 1470 F 210 M - KPT	5
	0001006	SPB-X 1320 FZ 210	5
	0001003	SPB-X 1250 FZ 210 M - KPT	5
	0001006	SPB-X 1320 FZN/FZP 175-200	4
	0001006	SPB-X 1320 FZN 225 • FZP 225-260	5
5	3001663	SPB 225x3 FN 150	1
	3001027	SPB 225x4 FN 175-200	1
	3000497	SPB 180x5 FN 225	1
	3001359	SPB 225x5 F-FZ 210	1
	3000907	SPB 200x5 F-FZ 210 M - KPT	1
	3001104	SPB 212x4 FZN/FZP 175-200	1
	3000725	SPB 212x5 FZN 225 • FZP 225-260	1
6	3001404	Sx F-FZ 210	1

RIF.	CODICE	DESCRIZIONE	N.
	3000225	Sx FN•FZN•FZP • F-FZ 210 "SG"	1
7	3001936	99x119x3	1
8	0001400	1311	1
9	3000347	58x65x1	—
10	3000346	Sx	1
11	3000288	FN 150	1
	3000277	FN-FZN-FZP 175	1
	3004281	FN-FZN-FZP 200	1
	3010400	F-FZ 210	1
	3010417	F-FZ 210 "SG"	1
	3000385	FN-FZN-FZP 225	1
	3000391	FZP 260	1
12	3000180	45x51,5x1,5	—
13	3000345	Dx	1
14	0001401	1309	1
15	3001935	89,2x99x3	4
16	3001405	Dx F-FZ 210	1
	3001009	Sx FN•FZN•FZP • F-FZ 210 "SG"	1
17	3001012		1
18	1020100	Seeger I 100 UNI7437	1
19	0002654	M10x1	1
20	1111410	M14x30 UNI5739	12
21	1012414	M14 UNI7474	12
22	1012420	M20 UNI7474 FN 150	12
	1012420	M20 UNI7474 FN-FZP 175	16
	1012420	M20 UNI7474 FN-FZN-FZP 200-225	20
	1012420	M20 UNI7474 F-FZ 210 • FZP 260	24

RIF.	CODICE	DESCRIZIONE	N.
23	3001119	FN 150	12
	3001119	FN-FZN-FZP 175	16
	3001119	FN-FZN-FZP 200-225	20
	3001119	F-FZ 210 • FZP 260	24
24	3002392	M20x120 FN 150	12
	3002392	M20x120 FN-FZN-FZP 175	16
	3002392	M20x120 FN-FZN-FZP 200-225	20
	3002392	M20x120 F-FZ 210 • FZP 260	24
25	3000323	FN 150	36
	3000323	FN-FZN-FZP 175	48
	3000323	FN-FZN 200 • FZP 200-225	60
	3000323	F-FZ 210 • FZP 260	72
26	3000552	FN 150	12
	3000552	FN-FZN-FZP 175	16
	3000552	FN-FZN-FZP 200-225	20
	3000552	F-FZ 210 • FZP 260	24
27	3000323	FN 150	24
	3000323	FN-FZN-FZP 175	32
	3000323	FN-FZN-FZP 200-225	40
	3000323	F-FZ 210 • FZP 260	48
28	3000548	FN 150	12
	3000548	FN-FZN-FZP 175	16
	3000548	FN-FZN-FZP 200-225	20
	3000548	F-FZ 210 • FZP 260	24
29	0001496	6205-2RS	2
30	1010025	Seeger E 25 UNI7435	1
31	3004138	FN 150	1

TAV. 622/1



FN - FZN - FZP - F/FZ 210

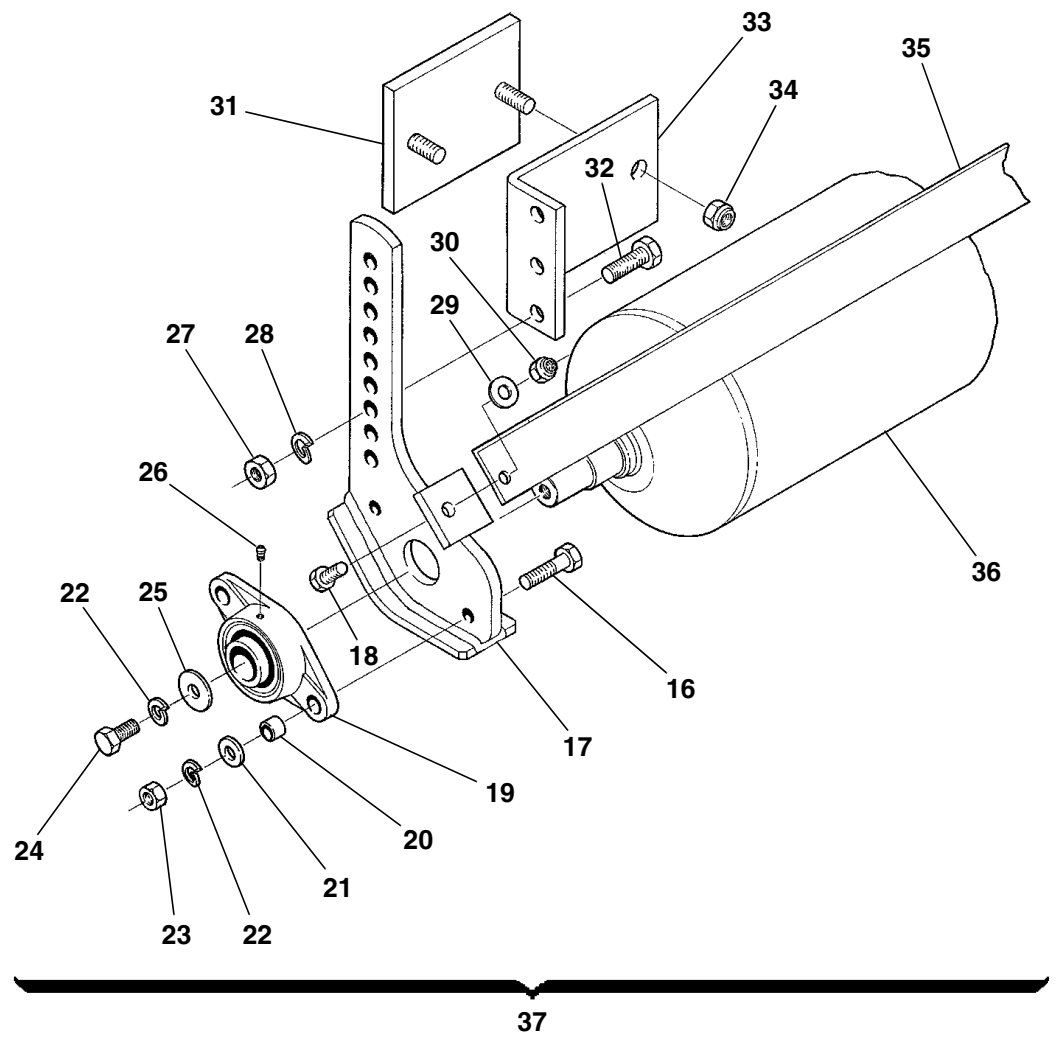
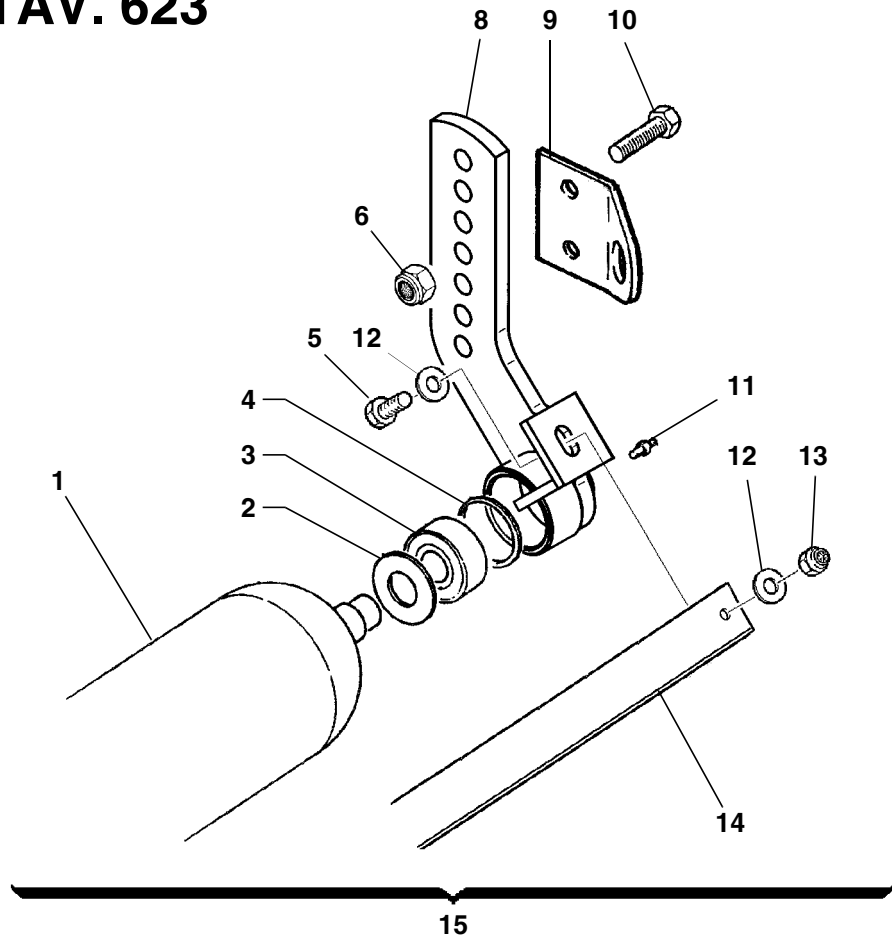
TAV. 622/1

RIF.	CODICE	DESCRIZIONE	N.
31	3007646	FN-FZN-FZP 175-200	1
	3007645	FN 225 • FZP 225-260 • F-FZ 210	1
32	3009564	FZN 175/225 • FZP 175/260	1
	3008276	FN 150/225 • F-FZ 210	1
	3009564	FZ 210 M - KPT	1
33	3006825	F-FZ 210	64
34	3007088	F-FZ 210	64
35	1012414	M14 UNI7474 F-FZ 210	64
36	3007087	F-FZ 210	64
37	3011270	FN 150	12
	3011270	FN-FZN-FZP 175	16
	3011270	FN-FZN-FZP 200-225	20
	3011270	F-FZ 210 • FZP 260	24

RIF.	CODICE	DESCRIZIONE	N.
------	--------	-------------	----

RIF.	CODICE	DESCRIZIONE	N.
------	--------	-------------	----

TAV. 623



FP - FA

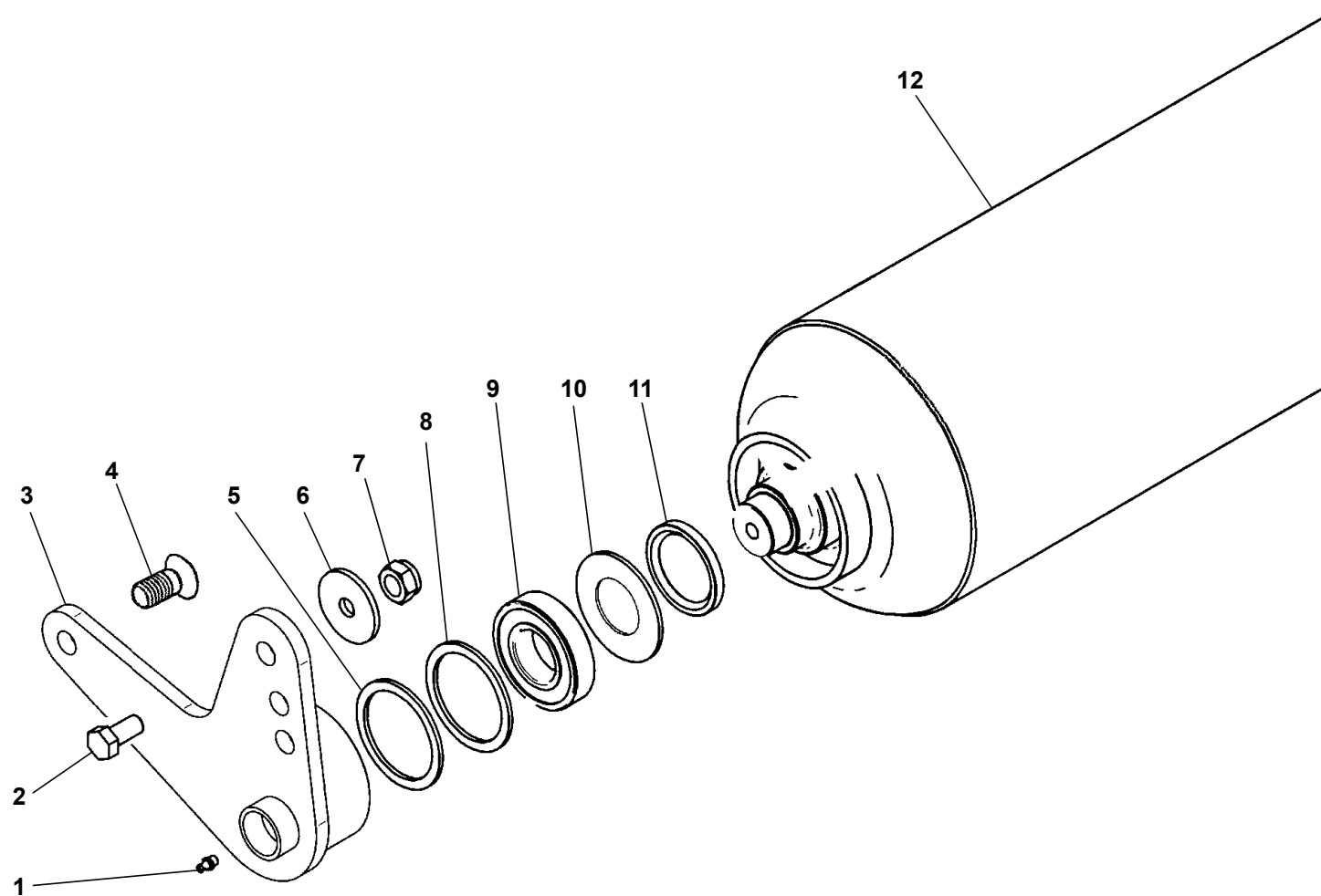
TAV. 623

RIF.	CODICE	DESCRIZIONE	N.
1	3001263	FP-FA 150	1
	3001264	FP-FA 175	1
	3001265	FP-FA 200	1
	3002540	FP-FA 225	1
2	3000486		2
3	0001411	6205 2RS	2
4	3000180	45x51,5x1,5	10
5	1111010	M10x30 UNI5739	2
6	1012414	M14 UNI7474	4
8	3001854	Sx	1
	3001853	Dx	1
9	3004905		2
10	1111414	M14x40 UNI5739	4
11	0002654	M10x1	2
12	1310303	ø10 UNI6593	4
13	1012410	M10 UNI7474	2
14	3001370	FP-FA 150	1
	3001371	FP-FA 175	1
	3001372	FP-FA 200	1
	3002541	FP-FA 225	1
15	8251001	FP-FA 150	1
	8261001	FP-FA 175	1
	8271001	FP-FA 200	1
	8281001	FP-FA 225	1
16	1101216	M12x45 UNI5737	4
17	3002527	Dx	1

RIF.	CODICE	DESCRIZIONE	N.
	3002528	Sx	1
18	1111010	M10x30 UNI5739 FP 150-175-200	2
	1111010	M10x30 UNI5739 FA 150-175-200	2
	1111212	M12x35 UNI5739 FP-FA 225	2
19	0001412	UCFL 206	2
20	3000513		4
21	1112000	ø12 UNI6592	4
22	1212000	ø12 UNI1751	6
23	1012512	M12 UNI5588	4
24	1111208	M12x25 UNI5739	2
25	1312363	ø12 UNI6593	2
26	0002659	M6	2
27	1012514	M14 UNI5588	4
28	1214000	ø14 UNI1751	4
29	1310303	ø10 UNI6593 FP 150-175-200	4
	1310303	ø10 UNI6593 FA 150-175-200	4
	1312363	ø12 UNI6593 FP-FA 225	4
30	1012410	M10 UNI7474 FP 150-175-200	2
	1012410	M10 UNI7474 FA 150-175-200	2
	1012412	M12 UNI7474 FP-FA 225	2
31	3000157		2
32	1111414	M14x40 UNI5739	4
33	3000057		2
34	1012414	M14 UNI7474	4
35	3002190	FP-FA 150	1
	3002564	FP-FA 175	1

RIF.	CODICE	DESCRIZIONE	N.
	3001091	FP-FA 200	1
	3001092	FP-FA 225	1
36	3001872	FP-FA 150	1
	3002466	FP-FA 175	1
	3000545	FP-FA 200	1
	3000546	FP-FA 225	1
37	8251005	FP-FA 150	1
	8261002	FP-FA 175	1
	8271002	FP-FA 200	1
	8040002	FP-FA 225	1

TAV. 623/1



FZP

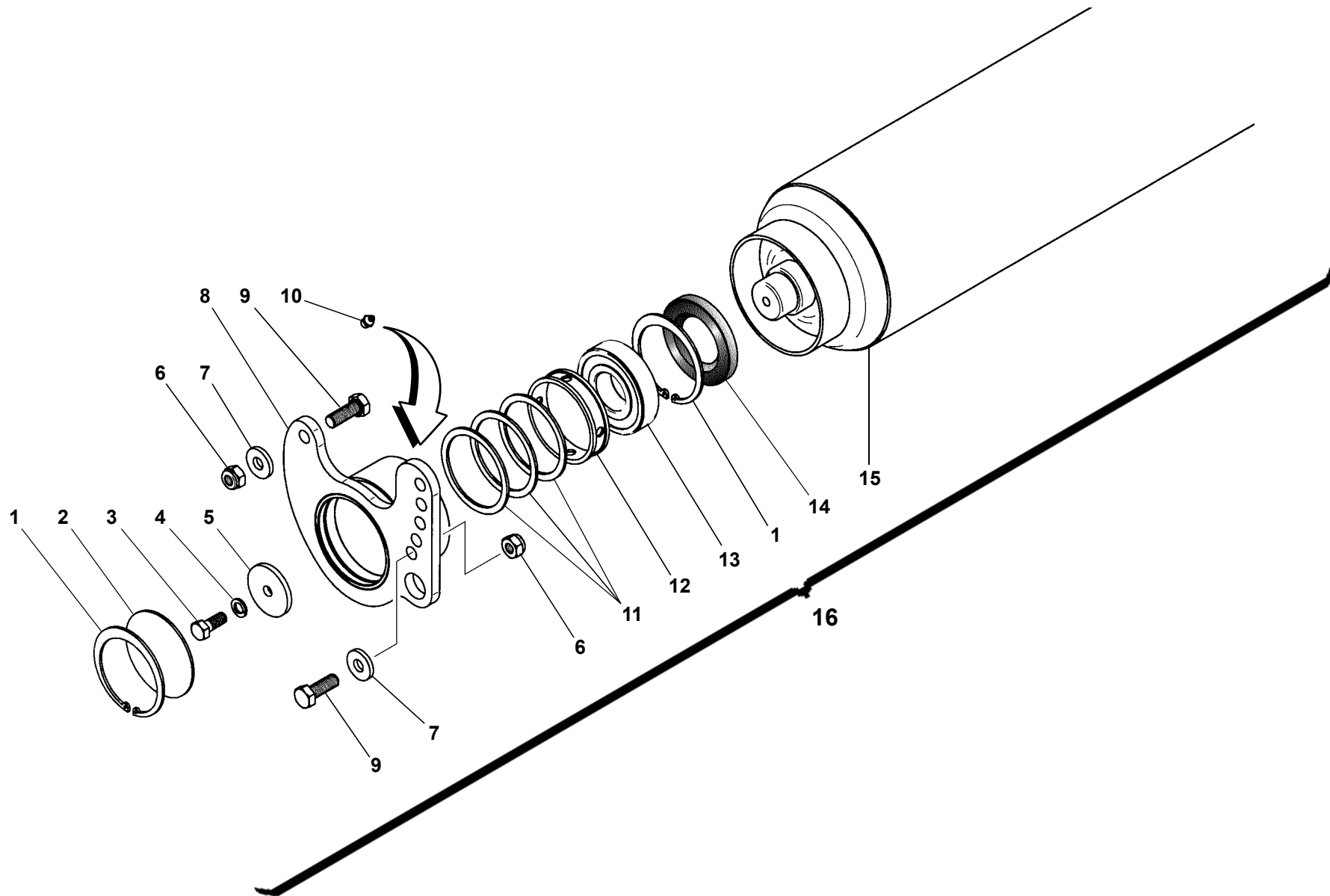
TAV. 623/1

RIF.	CODICE	DESCRIZIONE	N.
1	0002654	M10x1	2
2	1111414	M14x40 UNI5739	2
3	3005628	Dx	1
	3005629	Sx	1
4	1181414	M14x40 UNI5933	2
5	3000640	58,5x71x3	4
6	3001118	ø14,5x35x5	4
7	1012414	M14 UNI7474	4
8	3000181	61x71,5x1,2	2
9	0001521	21306	2
10	3000648		2
11	0001805	35x72x10	2
12	3001432	FZP 175	1
	3001433	FZP 200	1
	3009358	FZP 225	1
	3009865	FZP 260	1

RIF.	CODICE	DESCRIZIONE	N.
------	--------	-------------	----

RIF.	CODICE	DESCRIZIONE	N.
------	--------	-------------	----

TAV. 623/2



F - FZ 210

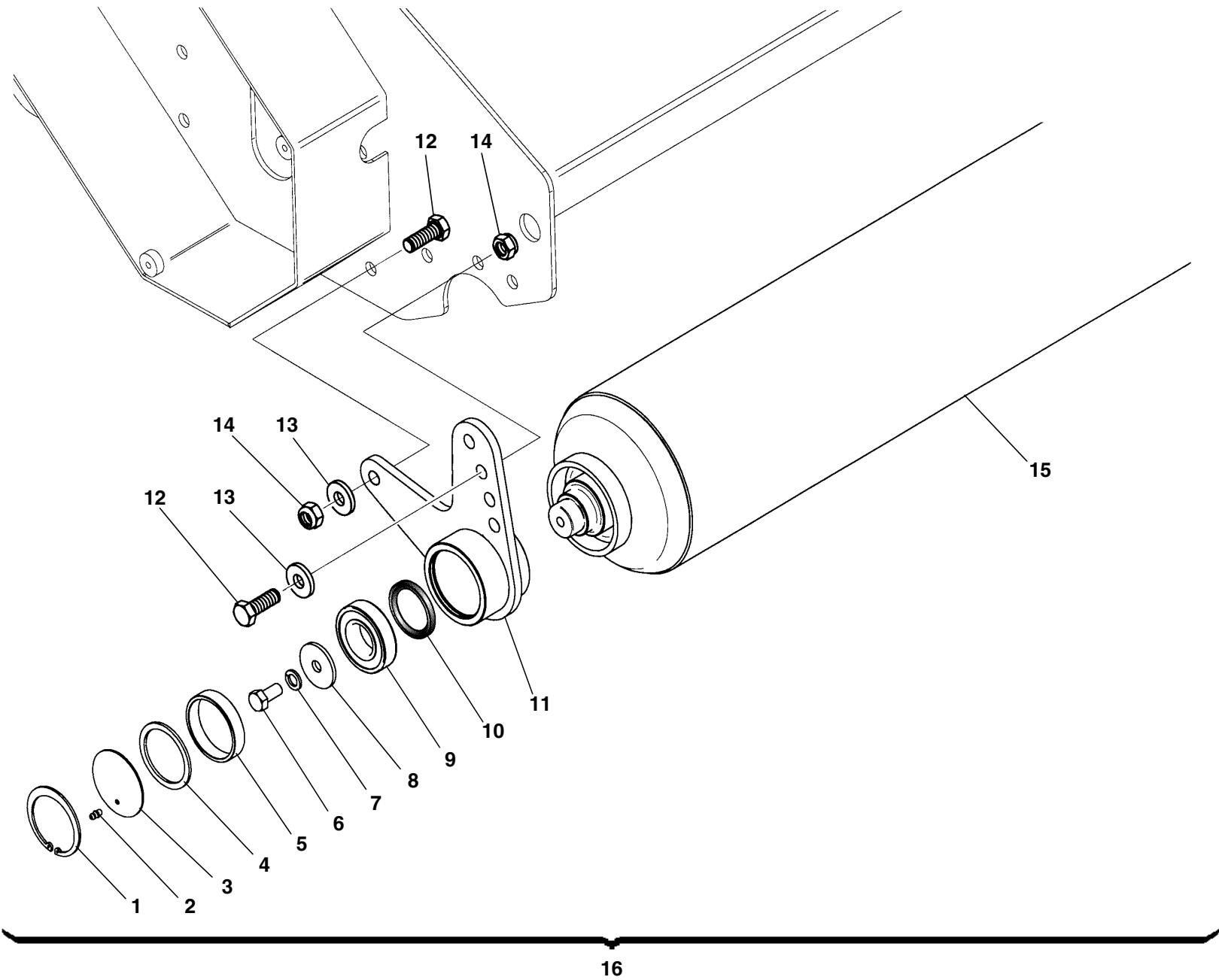
TAV. 623/2

RIF.	CODICE	DESCRIZIONE	N.
1	1020100	Seeger I 100 UNI7437	4
2	3001012		2
3	1111210	M12x30 UNI5739	2
4	1212000	ø12 UNI1751	2
5	3008815		2
6	1012414	M14 UNI7474	4
7	3001118		4
8	3010085	Dx	1
	3010084	Sx	1
9	1111414	M14x40 UNI5739	4
10	0002654	M10x1 UNI7663-A	2
11	3001935		6
12	3010024		2
13	0001401	1309	2
14	0001831	55x100x13	2
15	3010415		1
16	8279409		1

RIF.	CODICE	DESCRIZIONE	N.
------	--------	-------------	----

RIF.	CODICE	DESCRIZIONE	N.
------	--------	-------------	----

TAV. 623/3



FN - FZN

16

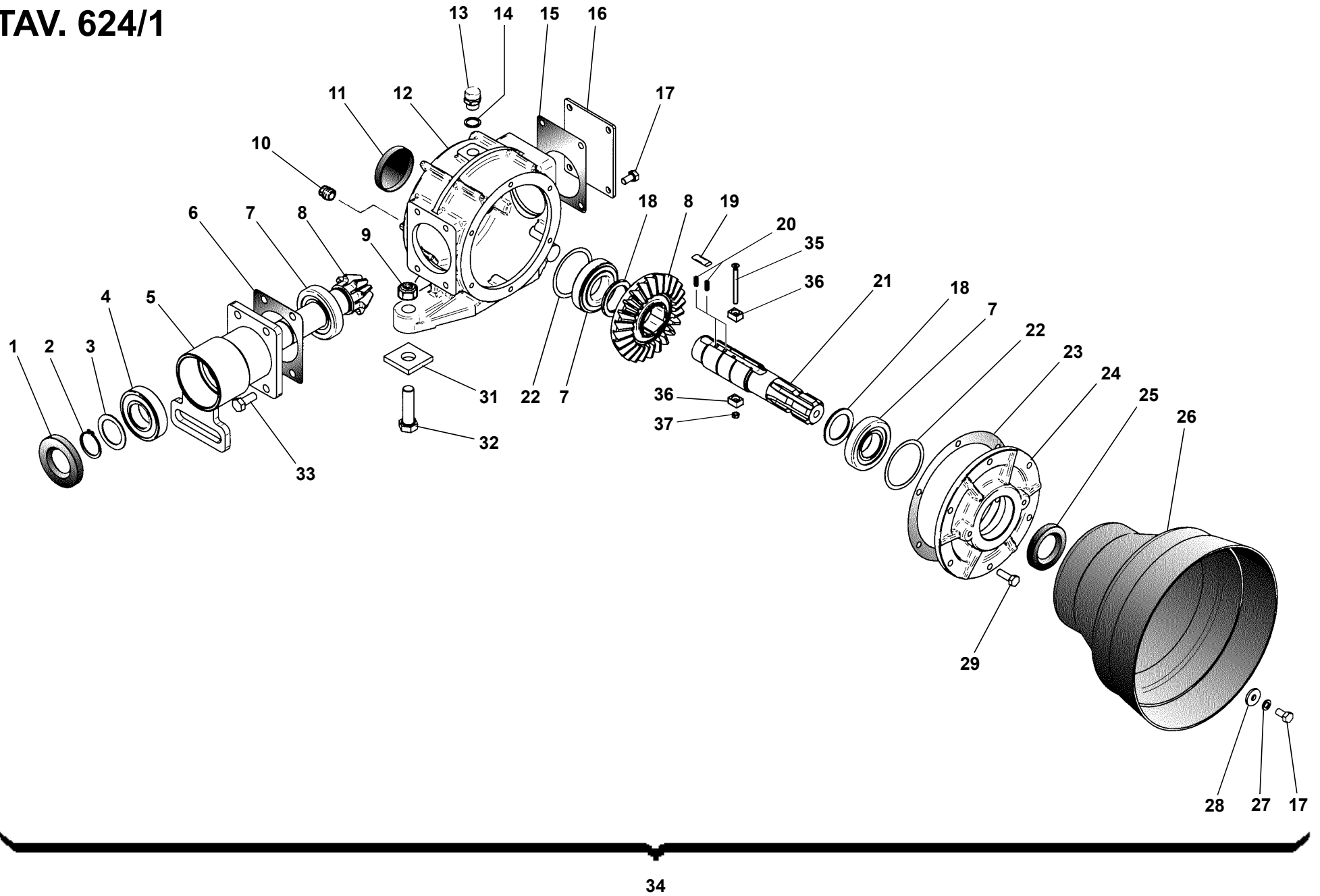
TAV. 623/3

RIF.	CODICE	DESCRIZIONE	N.
1	1020072	Seeger I 72 UNI7437	2
2	0002659	M6	2
3	3000990		2
4	3000640		2
5	3008429		2
6	1111208	M12x25 UNI5739	2
7	1212000	ø12 UNI1751	2
8	3008431		2
9	0001452	6207	2
10	0001803	45x60x7	2
11	3010656	Dx	1
	3010655	Sx	1
12	1111416	M14x45 UNI5739	4
13	3001118	14,5x35x5	4
14	1012414	M14 UNI7474	4
15	3010920	FN 150	1
	3010688	FN-FZN 175	1
	3010739	FN-FZN 200	1
	3010658	FN-FZN 225	1
16	8255001	FN 150	1
	8264001	FN-FZN 175	1
	8275001	FN-FZN 200	1
	8032001	FN-FZN 225	1

RIF.	CODICE	DESCRIZIONE	N.
------	--------	-------------	----

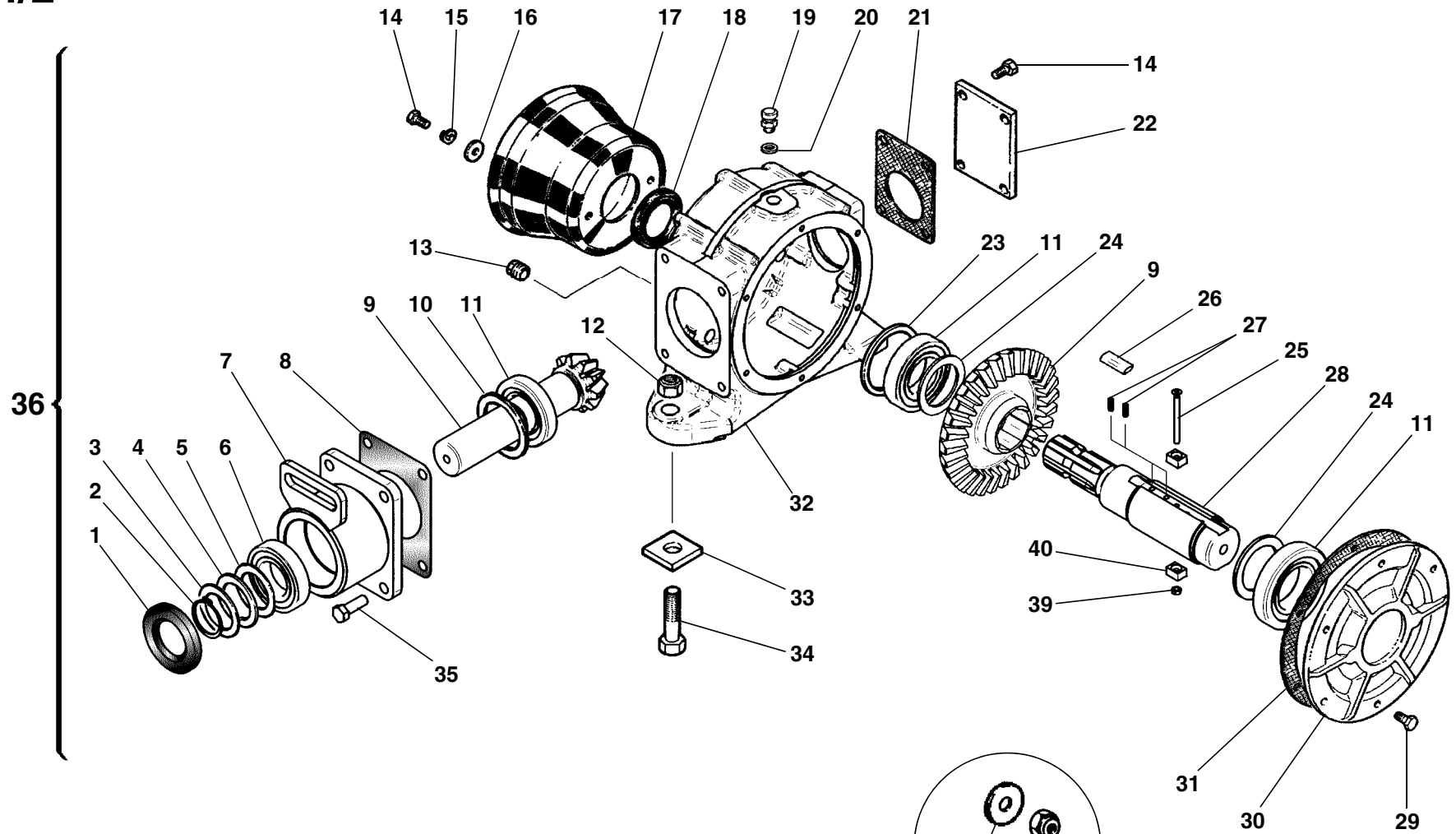
RIF.	CODICE	DESCRIZIONE	N.
------	--------	-------------	----

TAV. 624/1

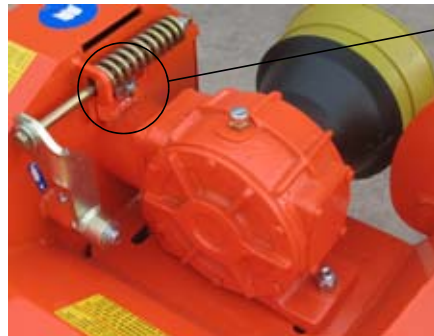


FZN 175/225 - FZP 175/260 - FZ 210

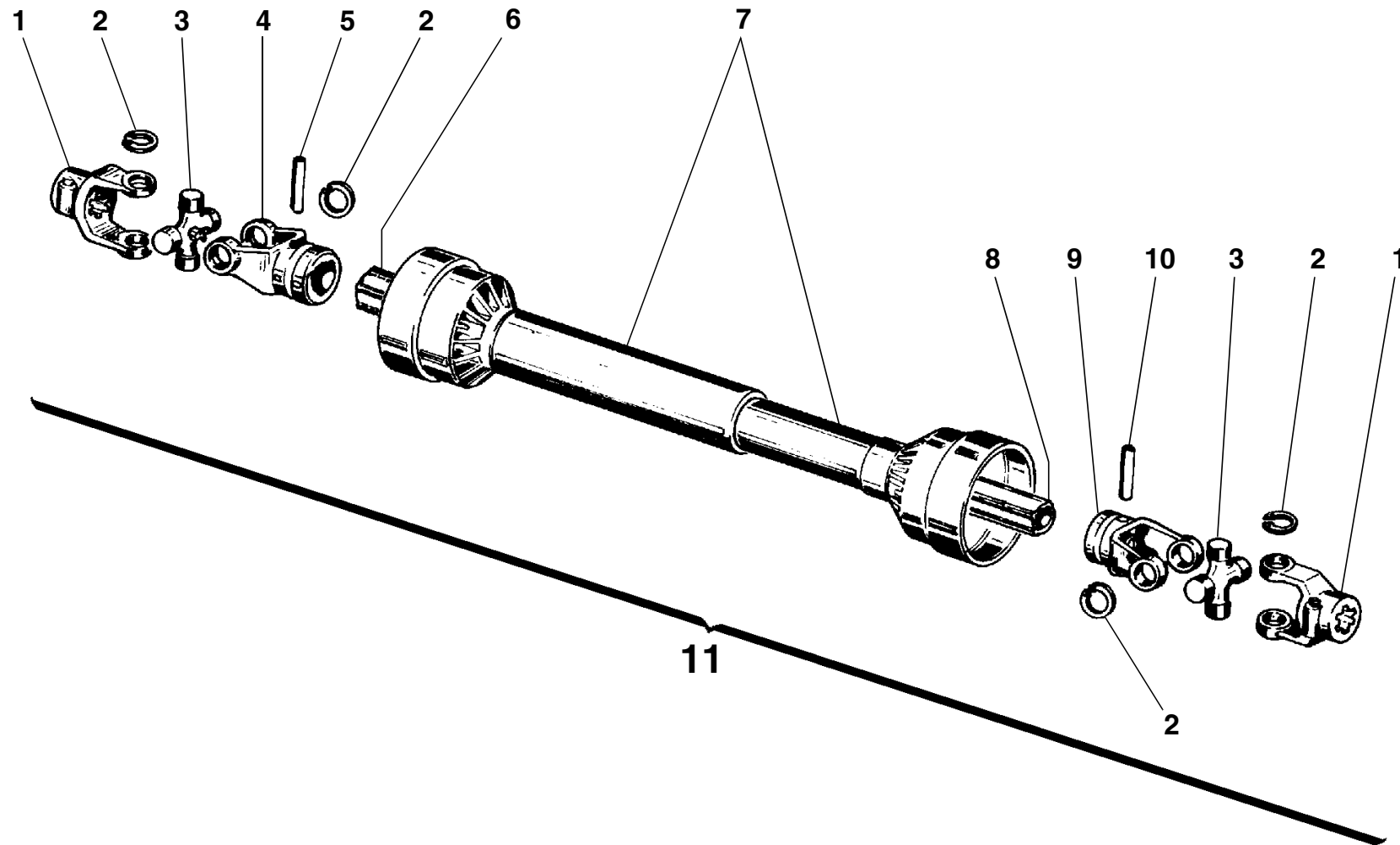
TAV. 624/2



FN 150/225



TAV. 625



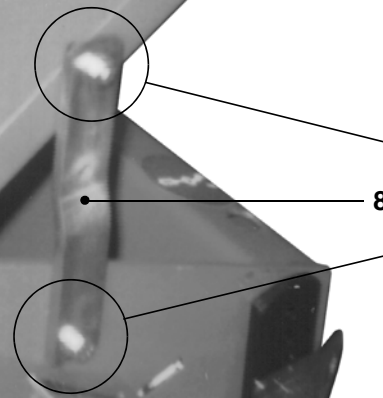
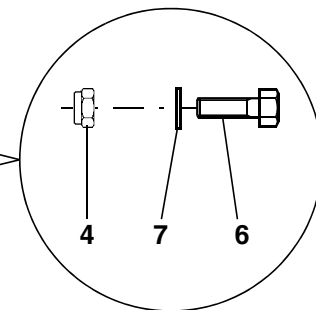
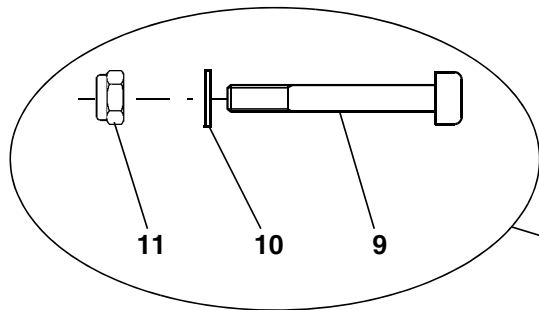
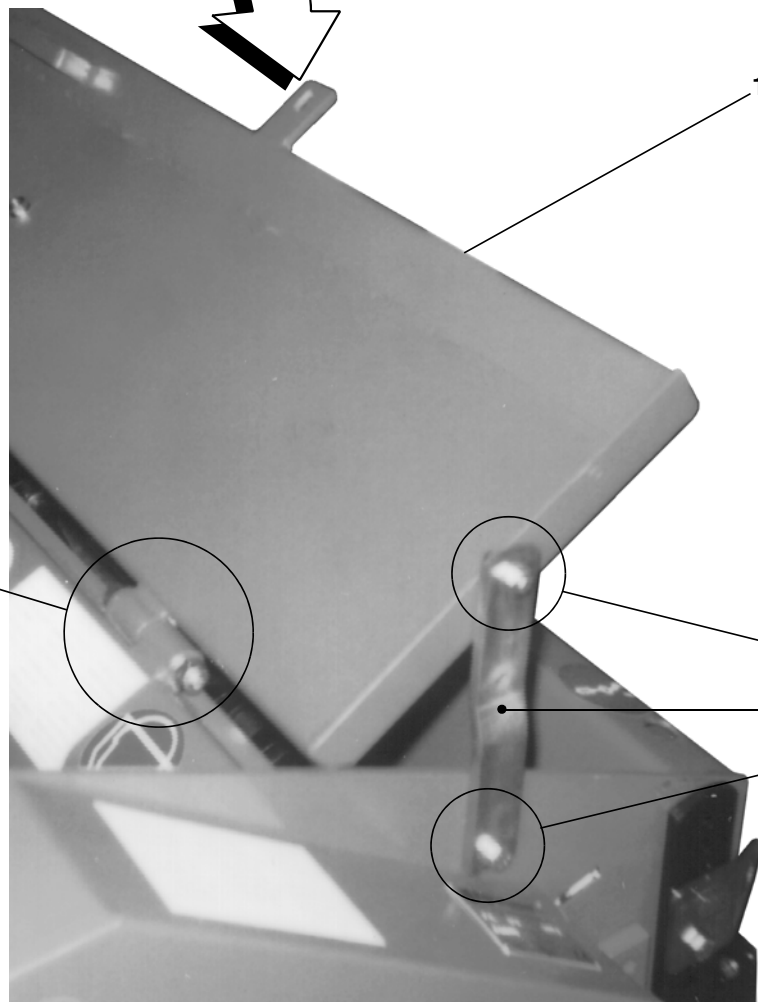
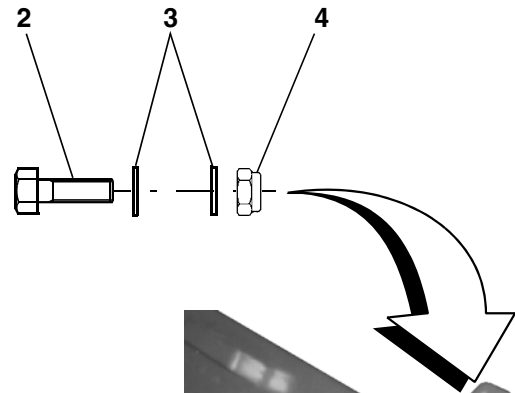
TAV. 625

RIF.	CODICE	DESCRIZIONE	N.
1	0003100		2
2	0003102		8
3	0003104		2
4	0003106		1
5	0003202		1
6	0008834	F-FZ	1
	0003248	FA-FP-FZP-FN-FZN	1
7	0008836	F-FZ	1
	0003433	FA-FP-FZP-FN-FZN	1
8	0008835	F-FZ	1
	0003249	FA-FP-FZP-FN-FZN	1
9	0003108		1
10	0003205		1
11	0003089	F-FZ	1
	0003036	FA-FP-FZP-FN-FZN	1

RIF.	CODICE	DESCRIZIONE	N.
------	--------	-------------	----

RIF.	CODICE	DESCRIZIONE	N.
------	--------	-------------	----

TAV. 626



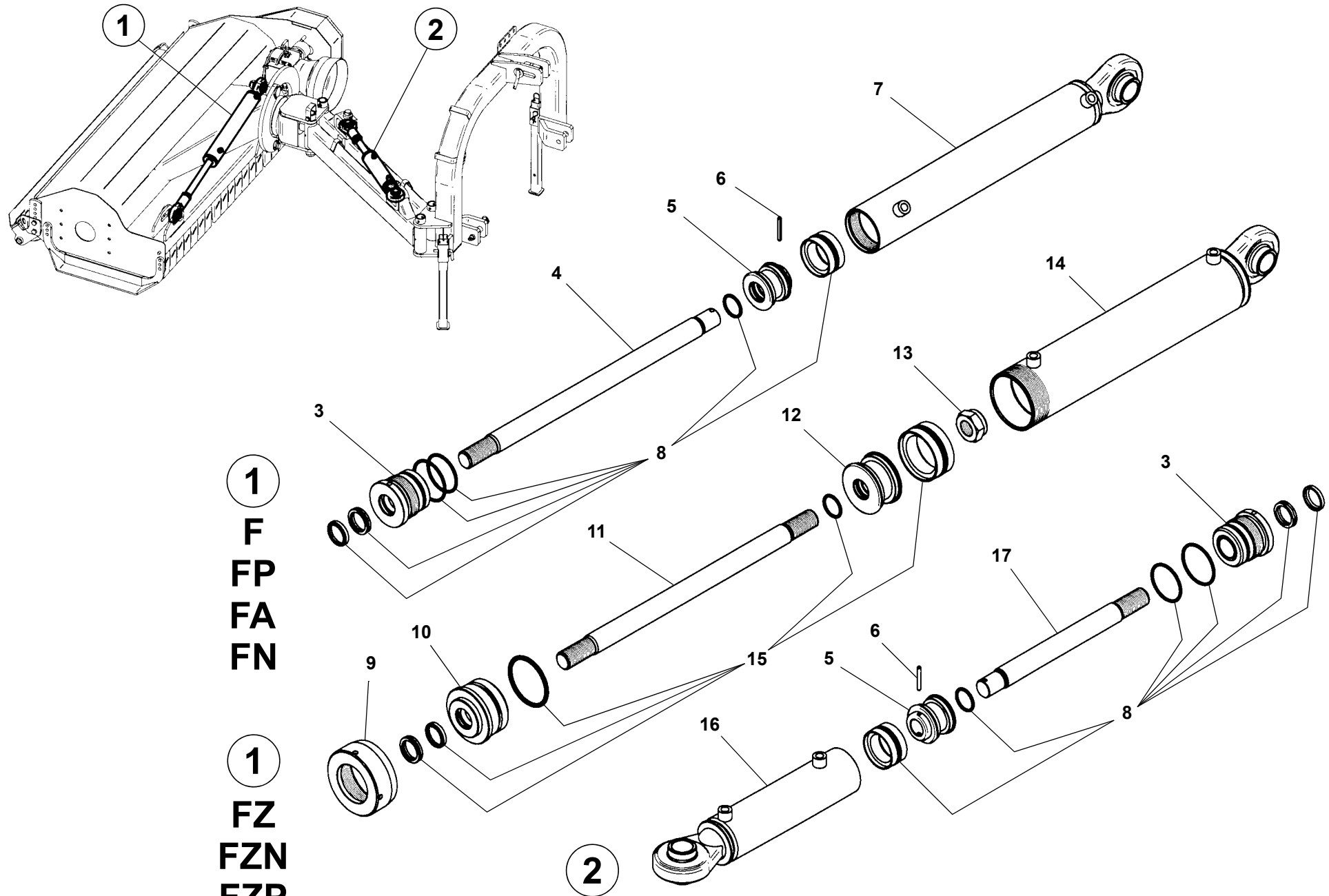
TAV. 626

RIF.	CODICE	DESCRIZIONE	N.
1	3002421	FA 150	1
	3002422	FA 175	1
	3002405	FA 200	1
	3002535	FA 225	1
2	1111012	M10x35 UNI5739	2
3	1410304	10,5x30x4	4
4	1012410	M10 UNI7474	6
6	1111010	M10x30 UNI5739	4
7	1110000	ø10 UNI6592	6
8	3002406		2
9	1121442	M14x110 UNI5931	3
10	1114000	ø14 UNI6592	3
11	1012414	M14 UNI7474	3

RIF.	CODICE	DESCRIZIONE	N.
------	--------	-------------	----

RIF.	CODICE	DESCRIZIONE	N.
------	--------	-------------	----

TAV. 627



1
F
FP
FA
FN

1
FZ
FZN
FZP

2

TAV. 627

RIF.	CODICE	DESCRIZIONE	N.
1	3005047	F-FP-FA-FN	1
	3009270	FZ-FZN-FZP	1
2	3005048	FP-FA	1
	3009269	F-FZ-FN-FZN-FZP	1
3	3006219		1
4	3005978		1
5	3006220		1
6	1605040	ø5x40	1
7	3006221		1
8	0001877		1
9	3007567		1
10	3009725		1
11	3009723		1
12	3008346		1
13	1022427	M27x2 UNI7474	1
14	3009724		1
15	0001919		1
16	3006222	FP-FA	1
	3009727	F-FZ-FN-FZN-FZP	1
17	3005708	FP-FA	1
	3009726	F-FZ-FN-FZN-FZP	1

RIF.	CODICE	DESCRIZIONE	N.
------	--------	-------------	----

RIF.	CODICE	DESCRIZIONE	N.
------	--------	-------------	----

