

# KP

CATALOGO PARTI DI RICAMBIO  
SPARE PARTS CATALOGUE  
CATALOGUE PIECES DE RECHANGE  
ERSATZTEILLISTE  
CATÁLOGO PARTES DE REQUESTO

**850 1000 1250 1500 1750 2000 2250**

**2400 2600 2600S 2800S 3000S 3200S**



## per ordinare i pezzi di ricambio

Per una corretta ordinazione dei pezzi di ricambio è necessario indicare i seguenti elementi:

- 1) Modello della macchina,
  - 2) Numero di catalogo,
  - 3) Codice del ricambio,
  - 4) Quantità richiesta.
- 

## pour commander les pièces de rechange

Pour commander les pièces de rechange il faut indiquer:

- 1) Modèle de la machine,
  - 2) Nombre du catalogue,
  - 3) Code de la pièce de rechange,
  - 4) Quantité demandé.
- 

## to order the spare parts

To order the spare parts correctly you must specify:

- 1) Model of the machine,
  - 2) Catalogue number,
  - 3) Spare part code number,
  - 4) Required quantity.
- 

## um die Ersatzteile zu bestellen

Für eine korrekte Bestellung der Ersatzteilen müssen die folgende Einzelheiten angegeben werden:

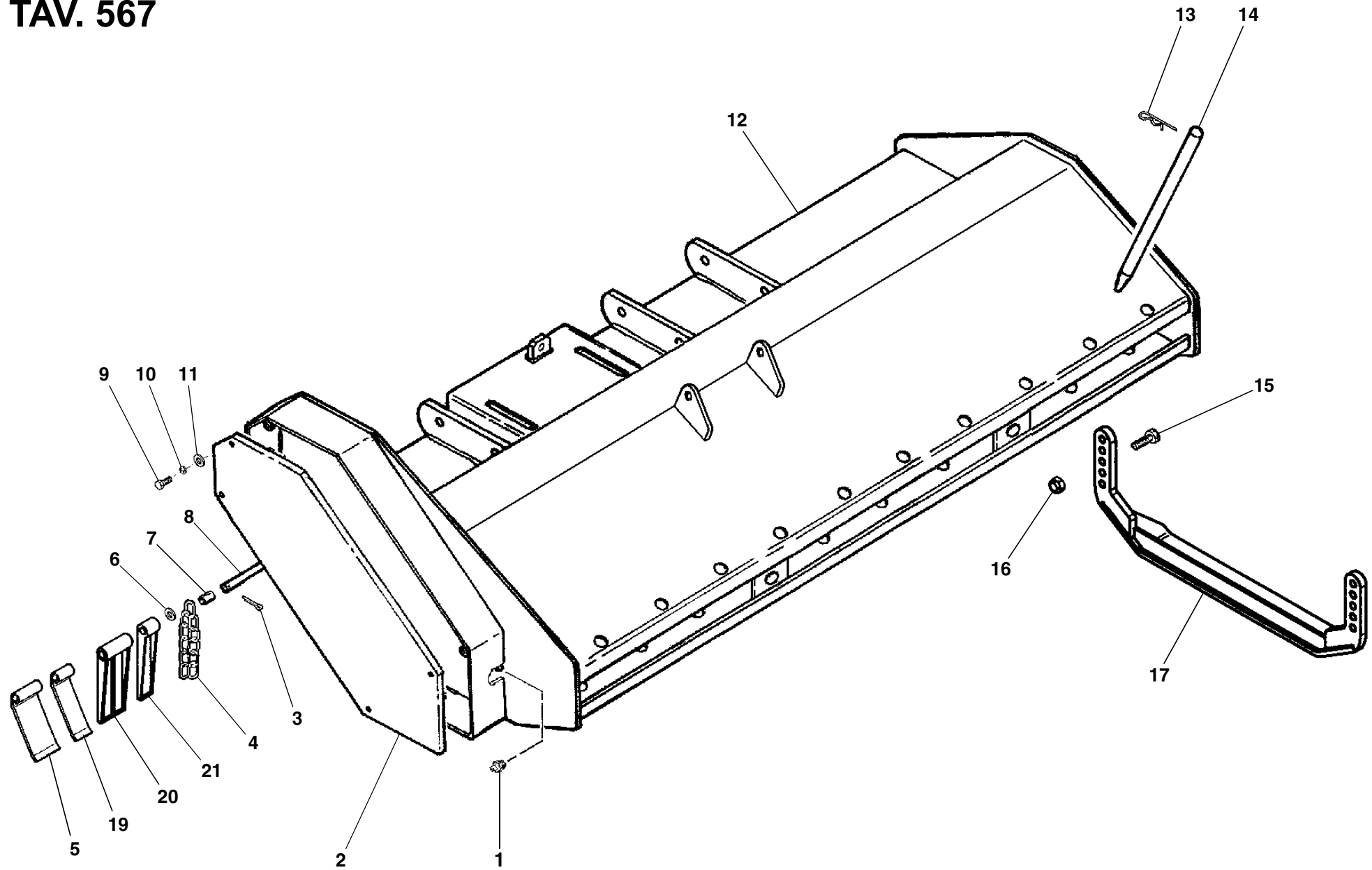
- 1) Gerät-Modell,
  - 2) Katalog-Nummer,
  - 3) Teil-Nummer,
  - 4) Gewünschte Menge.
- 

## para pedir las partes de requesto

Para pedir correctamente las partes de requesto se tiene que especificar:

- 1) Modelo de la máquina,
- 2) Número de catálogo,
- 3) Código de la parte de requesto,
- 4) Cantidad pedida.

# TAV. 567



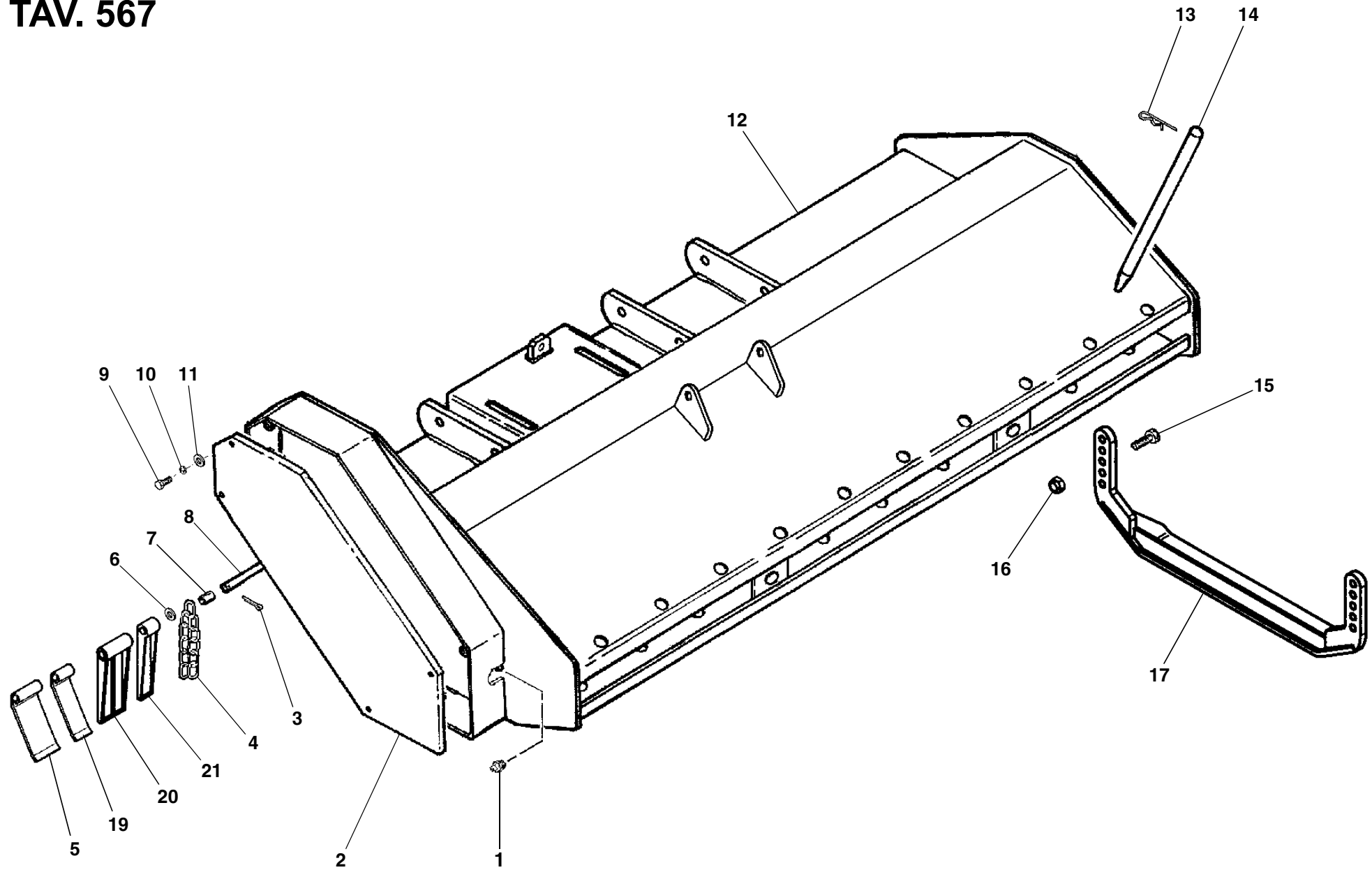
# TAV. 567

| RIF. | CODICE  | DESCRIZIONE           | N.  |
|------|---------|-----------------------|-----|
| 1    | 0002661 | M10x1x90°             | 1   |
| 2    | 3002318 | KP 850/2600           | 1   |
|      | 3008337 | KP 2800S/3200S        | 1   |
| 3    | 1559028 | ø4,5x45 UNI1336       | 1   |
| 4    | 3001927 | KP 850                | 27  |
|      | 3001927 | KP 1000               | 31  |
|      | 3001927 | KP 1250               | 40  |
|      | 3001927 | KP 1500               | 48  |
|      | 3001927 | KP 1750               | 56  |
|      | 3001927 | KP 2000               | 64  |
|      | 3001927 | KP 2250               | 72  |
|      | 3001927 | KP 2400               | 78  |
|      | 3001927 | KP 2600 - 2600 S      | 84  |
|      | 3001927 | KP 2800 S             | 90  |
|      | 3001927 | KP 3000 S             | 97  |
|      | 3001927 | KP 3200 S             | 102 |
| 5    | 3000197 | L=70 KP 850           | 11  |
|      | 3000197 | L=70 KP 1000          | 13  |
|      | 3000197 | L=70 KP 1250          | 16  |
|      | 3000197 | L=70 KP 1500          | 20  |
|      | 3000197 | L=70 KP 1750          | 23  |
|      | 3000197 | L=70 KP 2000          | 26  |
|      | 3000197 | L=70 KP 2250          | 30  |
|      | 3000197 | L=70 KP 2400          | 32  |
|      | 3000197 | L=70 KP 2600 - 2600 S | 34  |
|      | 3000197 | L=70 KP 2800 S        | 37  |
|      | 3000197 | L=70 KP 3000 S        | 40  |
|      | 3000197 | L=70 KP 3200 S        | 43  |
| 6    | 1114000 | ø14 UNI6592           | —   |

| RIF. | CODICE  | DESCRIZIONE                   | N.  |
|------|---------|-------------------------------|-----|
| 7    | 3001545 | KP 850                        | 26  |
|      | 3001545 | KP 1000                       | 31  |
|      | 3001545 | KP 1250                       | 38  |
|      | 3001545 | KP 1500                       | 46  |
|      | 3001545 | KP 1750                       | 54  |
|      | 3001545 | KP 2000                       | 61  |
|      | 3001545 | KP 2250                       | 69  |
|      | 3001545 | KP 2400                       | 74  |
|      | 3001545 | KP 2600 - 2600 S              | 80  |
|      | 3001545 | KP 2800 S                     | 86  |
|      | 3001545 | KP 3000 S                     | 92  |
|      | 3001545 | KP 3200 S                     | 103 |
| 8    | 3001301 | KP 850                        | 1   |
|      | 3000314 | KP 1000                       | 1   |
|      | 3000315 | KP 1250                       | 1   |
|      | 3000316 | KP 1500                       | 1   |
|      | 3000317 | KP 1750                       | 1   |
|      | 3000318 | KP 2000                       | 1   |
|      | 3000444 | KP 2250                       | 1   |
|      | 3004514 | KP 2400                       | 1   |
|      | 3000445 | KP 2600                       | 1   |
|      | 3000167 | KP 2600 S                     | 1   |
|      | 3002604 | KP 2800 S                     | 1   |
|      | 3006487 | KP 3000 S                     | 1   |
|      | 3000168 | KP 3200 S                     | 1   |
| 9    | 1110804 | M8x16 UNI5739 KP 850/2600     | 4   |
|      | 1110804 | M8x16 UNI573 KP 2600 S/3200 S | 6   |
| 10   | 1508150 | ø8 UNI6798A KP 850/2600       | 4   |
|      | 1508150 | ø8 UNI6798A KP 2600 S/3200 S  | 6   |

| RIF. | CODICE  | DESCRIZIONE              | N. |
|------|---------|--------------------------|----|
| 11   | 1309243 | ø9x24x3 KP 850/2600      | 4  |
|      | 1309243 | ø9x24x3 KP 2600 S/3200 S | 6  |
| 12   | 3002437 | KP 850                   | 1  |
|      | 3002556 | KP 1000                  | 1  |
|      | 3001794 | KP 1250                  | 1  |
|      | 3001367 | KP 1500                  | 1  |
|      | 3001368 | KP 1750                  | 1  |
|      | 3001369 | KP 2000                  | 1  |
|      | 3002567 | KP 2250                  | 1  |
|      | 3006308 | KP 2400                  | 1  |
|      | 3002568 | KP 2600                  | 1  |
|      | 3009439 | KP 2600 S                | 1  |
|      | 3008505 | KP 2800 S                | 1  |
|      | 3008509 | KP 3000 S                | 1  |
|      | 3008332 | KP 3200 S                | 1  |
| 13   | 0002115 | ø4 KP 850-1000           | 5  |
|      | 0002115 | ø4 KP 1250               | 7  |
|      | 0002115 | ø4 KP 1500               | 8  |
|      | 0002115 | ø4 KP 1750               | 10 |
|      | 0002115 | ø4 KP 2000               | 11 |
|      | 0002115 | ø4 KP 2250               | 12 |
|      | 0002115 | ø4 KP 2400               | 13 |
|      | 0002115 | ø4 KP 2600               | 14 |
| 14   | 3000091 | KP 850-1000              | 5  |
|      | 3000091 | KP 1250                  | 7  |
|      | 3000091 | KP 1500                  | 8  |
|      | 3000091 | KP 1750                  | 10 |
|      | 3000091 | KP 2000                  | 11 |
|      | 3000091 | KP 2250                  | 12 |

# TAV. 567



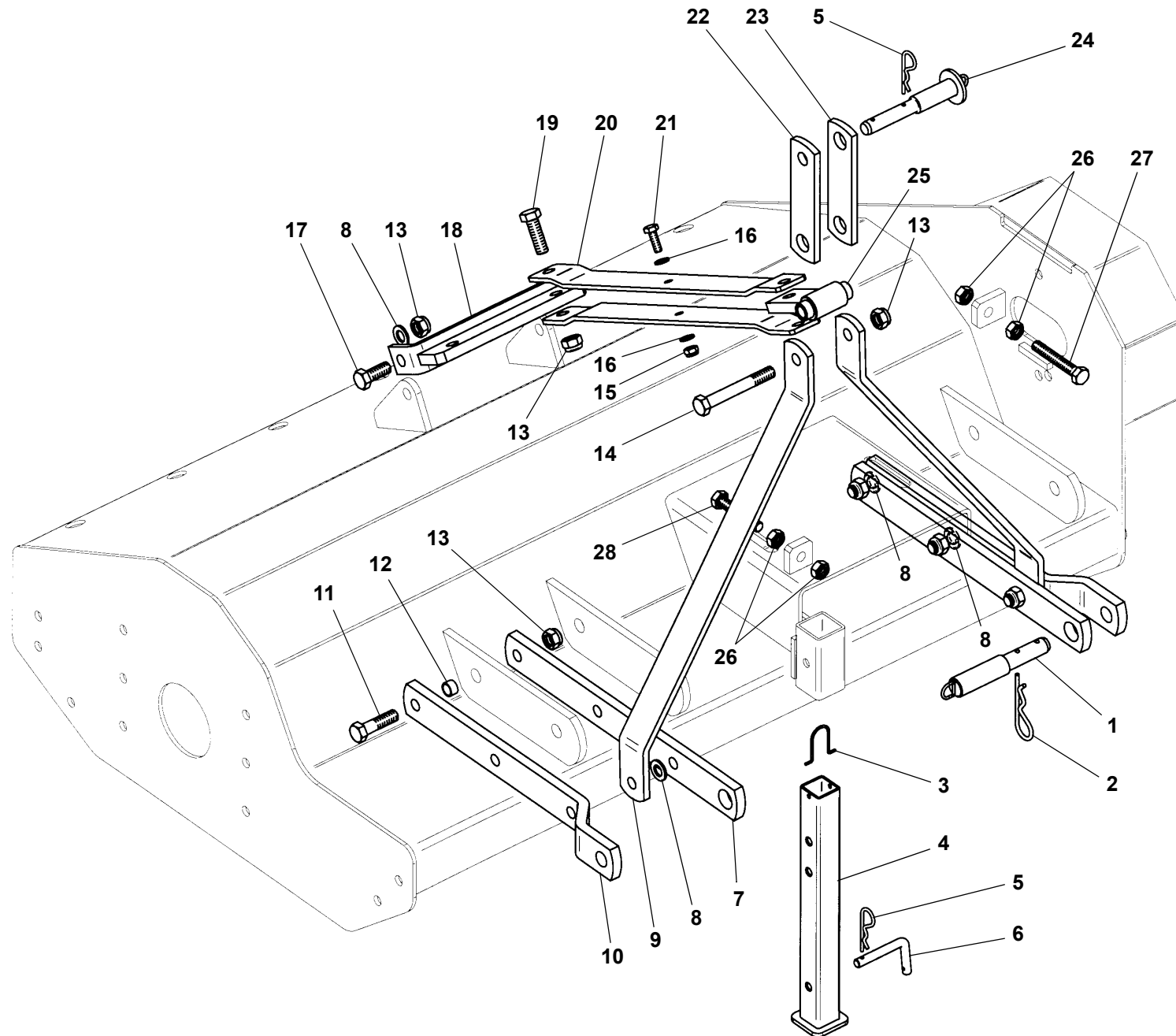
# TAV. 567

| RIF. | CODICE  | DESCRIZIONE           | N. |
|------|---------|-----------------------|----|
| 14   | 3000091 | KP 2400               | 13 |
|      | 3000091 | KP 2600               | 14 |
| 15   | 1111414 | M14x40 UNI5739        | 4  |
| 16   | 1012414 | M14 UNI7474           | 4  |
| 17   | 3007049 |                       | 2  |
| 19   | 3005252 | L=30                  | —  |
|      | 3005253 | L=35                  | —  |
| 20   | 3008685 | L=70 KP 850           | 11 |
|      | 3008685 | L=70 KP 1000          | 13 |
|      | 3008685 | L=70 KP 1250          | 16 |
|      | 3008685 | L=70 KP 1500          | 20 |
|      | 3008685 | L=70 KP 1750          | 23 |
|      | 3008685 | L=70 KP 2000          | 26 |
|      | 3008685 | L=70 KP 2250          | 30 |
|      | 3008685 | L=70 KP 2400          | 32 |
|      | 3008685 | L=70 KP 2600 - 2600 S | 34 |
|      | 3008685 | L=70 KP 2800 S        | 37 |
|      | 3008685 | L=70 KP 3000 S        | 40 |
|      | 3008685 | L=70 KP 3200 S        | 43 |
| 21   | 3008686 | L=32                  | —  |

| RIF. | CODICE | DESCRIZIONE | N. |
|------|--------|-------------|----|
|------|--------|-------------|----|

| RIF. | CODICE | DESCRIZIONE | N. |
|------|--------|-------------|----|
|------|--------|-------------|----|

TAV. 568



KP 1250



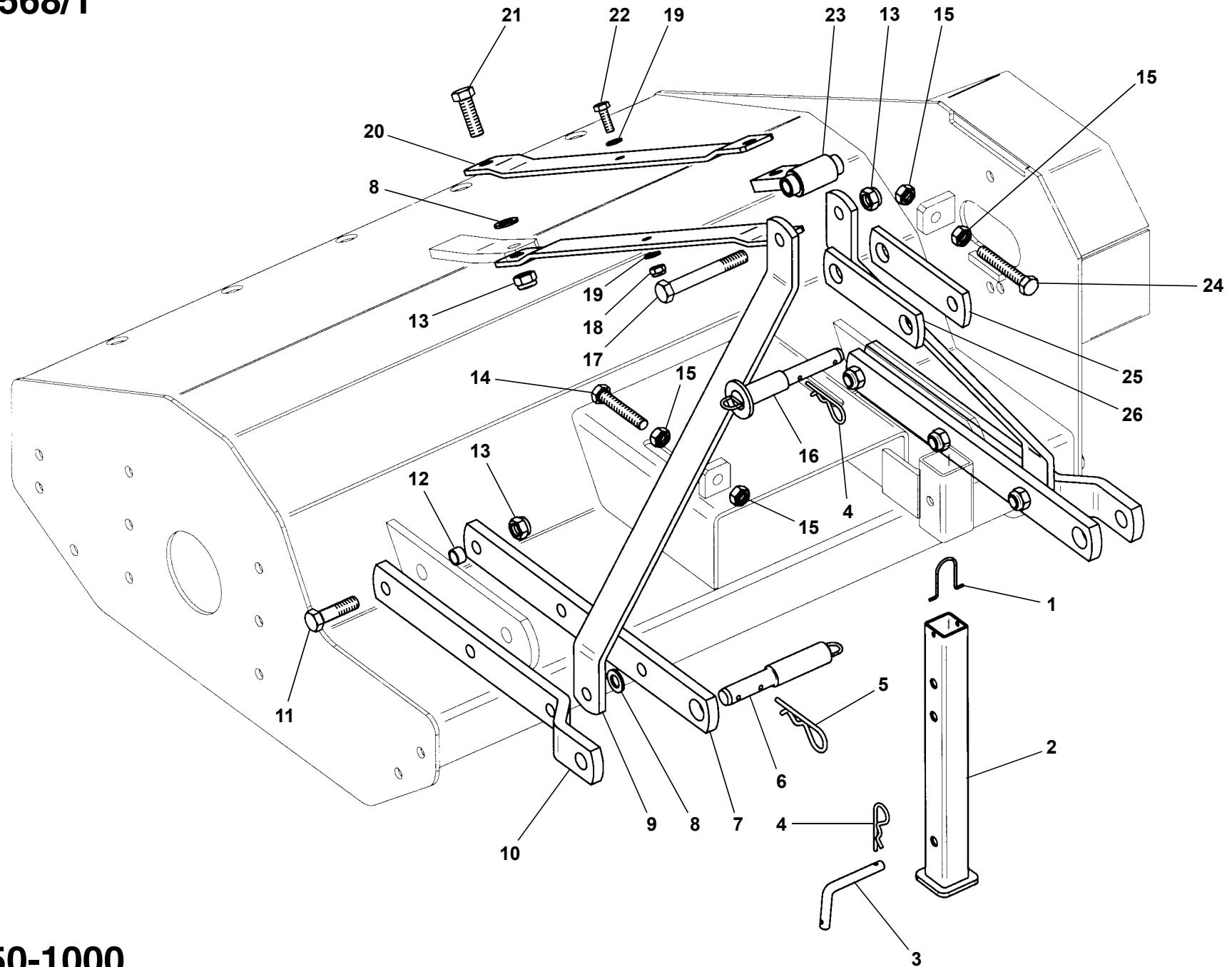
# TAV. 568

| RIF. | CODICE  | DESCRIZIONE     | N. |
|------|---------|-----------------|----|
| 1    | 3000089 |                 | 2  |
| 2    | 0002116 | ∅5              | 2  |
| 3    | 3007374 |                 | 1  |
| 4    | 3000740 |                 | 1  |
| 5    | 0002115 | ∅4              | 2  |
| 6    | 3000088 |                 | 1  |
| 7    | 3004798 |                 | 2  |
| 8    | 1116000 | ∅16 UNI6592     | 4  |
| 9    | 3000357 |                 | 2  |
| 10   | 3000356 |                 | 2  |
| 11   | 1101622 | M16x60 UNI5737  | 6  |
| 12   | 3001800 |                 | 4  |
| 13   | 1012416 | M16 UNI7474     | 11 |
| 14   | 1101646 | M16x120 UNI5737 | 1  |
| 15   | 1012410 | M10 UNI7474     | 1  |
| 16   | 1110000 | ∅10 UNI6592     | 2  |
| 17   | 1111614 | M16x40 UNI5739  | 2  |
| 18   | 3001480 |                 | 1  |
| 19   | 1111618 | M16x50 UNI5739  | 2  |
| 20   | 3000427 |                 | 2  |
| 21   | 1111010 | M10x30 UNI5739  | 1  |
| 22   | 3000354 | ∅19             | 1  |
| 23   | 3004799 | ∅25             | 1  |
| 24   | 3000090 |                 | 1  |
| 25   | 3000071 |                 | 1  |
| 26   | 1012514 | M14 UNI5588     | 4  |

| RIF. | CODICE  | DESCRIZIONE    | N. |
|------|---------|----------------|----|
| 27   | 1111434 | M14x90 UNI5739 | 1  |
| 28   | 1111430 | M14x80 UNI5739 | 1  |

| RIF. | CODICE | DESCRIZIONE | N. |
|------|--------|-------------|----|
|------|--------|-------------|----|

TAV. 568/1



**KP 850-1000**

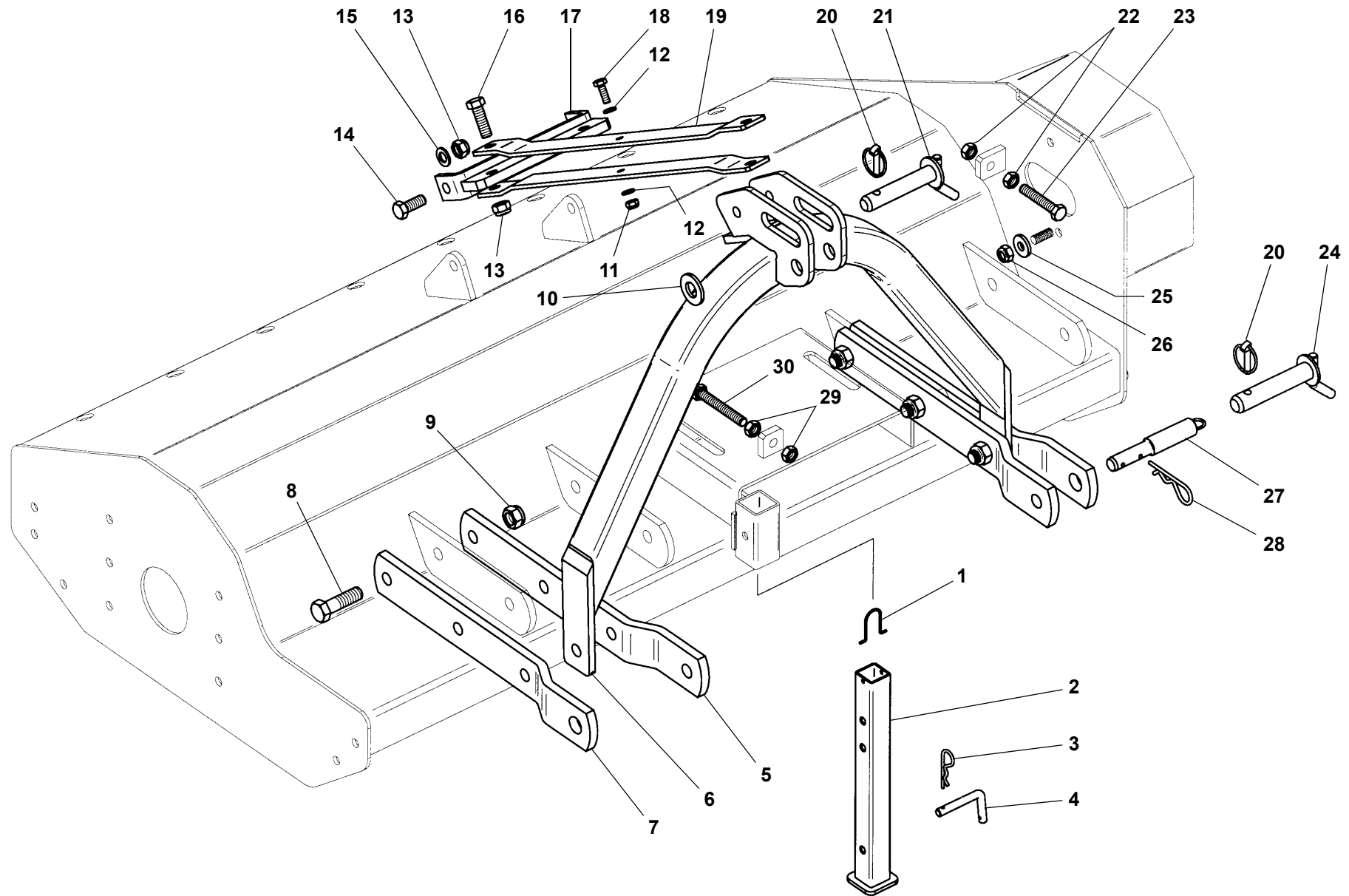
# TAV. 568/1

| RIF. | CODICE  | DESCRIZIONE     | N. |
|------|---------|-----------------|----|
| 1    | 3007374 |                 | 1  |
| 2    | 3000740 |                 | 1  |
| 3    | 3000088 |                 | 1  |
| 4    | 0002115 | ∅4              | 2  |
| 5    | 0002116 | ∅5              | 2  |
| 6    | 3000089 |                 | 2  |
| 7    | 3004798 |                 | 2  |
| 8    | 1116000 | ∅16 UNI6592     | 3  |
| 9    | 3000357 |                 | 2  |
| 10   | 3000356 |                 | 2  |
| 11   | 1101622 | M16x60 UNI5737  | 6  |
| 12   | 3001800 |                 | 4  |
| 13   | 1012416 | M16 UNI7474     | 9  |
| 14   | 1111430 | M14x80 UNI5739  | 1  |
| 15   | 1012514 | M14 UNI5588     | 4  |
| 16   | 3000090 |                 | 1  |
| 17   | 1101646 | M16x120 UNI5737 | 1  |
| 18   | 1012410 | M10 UNI7474     | 1  |
| 19   | 1110000 | ∅10 UNI6592     | 2  |
| 20   | 3000427 |                 | 2  |
| 21   | 1111618 | M16x50 UNI5739  | 2  |
| 22   | 1111010 | M10x30 UNI5739  | 1  |
| 23   | 3000071 |                 | 1  |
| 24   | 1111434 | M14x90 UNI5739  | 1  |
| 25   | 3000354 | ∅19             | 1  |
| 26   | 3004799 | ∅25             | 1  |

| RIF. | CODICE | DESCRIZIONE | N. |
|------|--------|-------------|----|
|------|--------|-------------|----|

| RIF. | CODICE | DESCRIZIONE | N. |
|------|--------|-------------|----|
|------|--------|-------------|----|

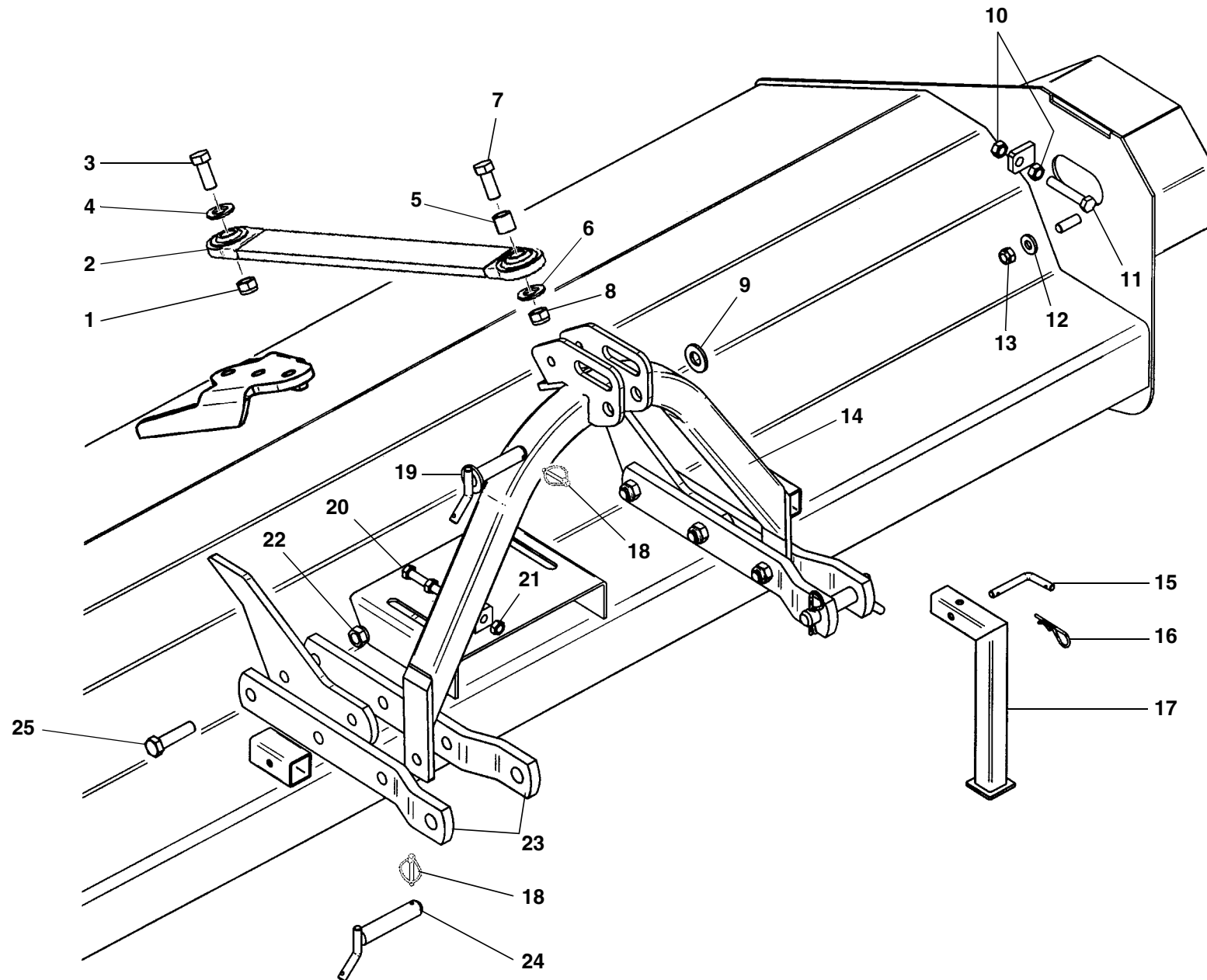
# TAV. 569



**KP 1500-1750-2000-2250-2400-2600**



TAV. 569/1



**KP 2600 S - 2800 S - 3000 S - 3200 S**

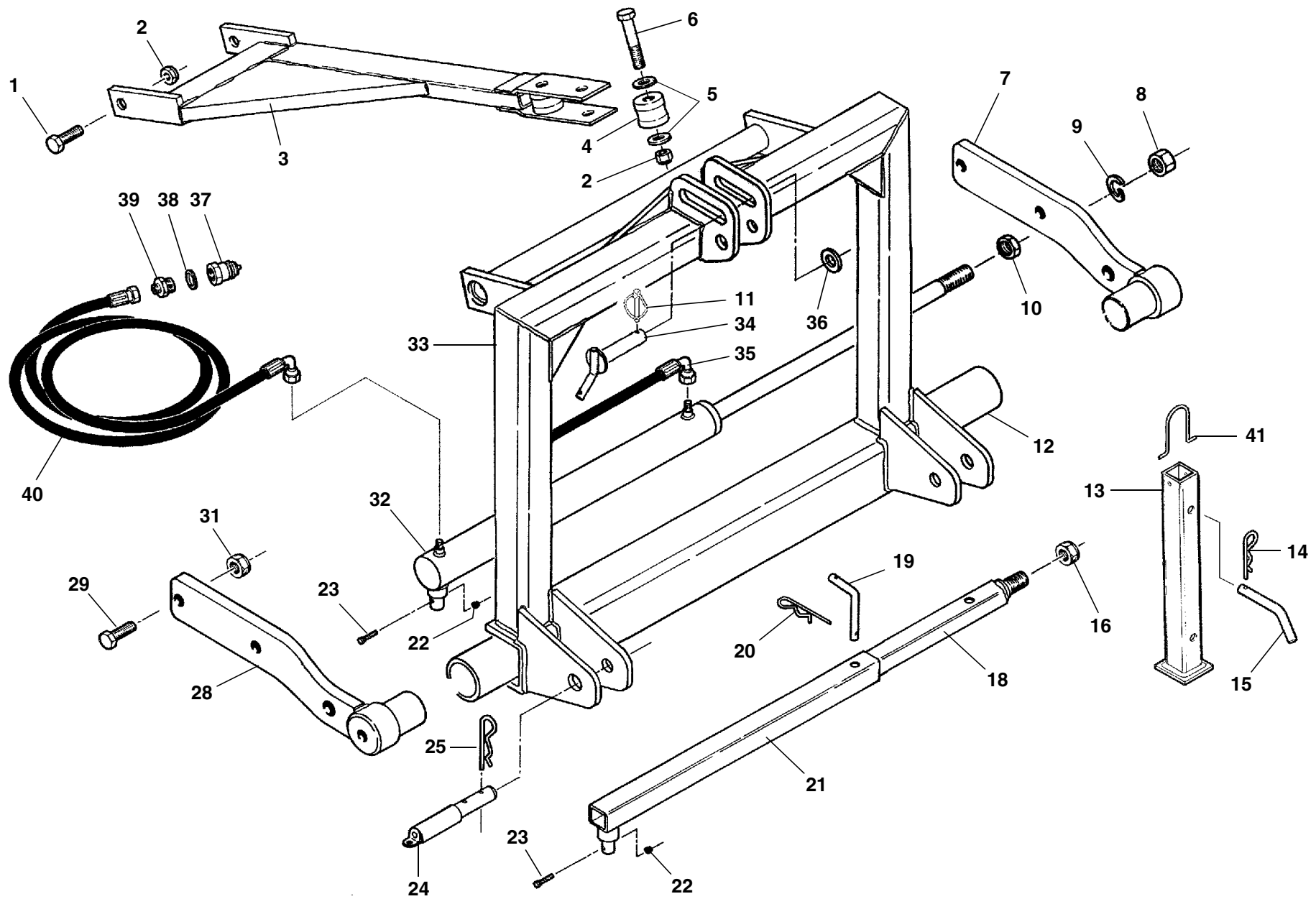
# TAV. 569/1

| RIF. | CODICE  | DESCRIZIONE                | N. |
|------|---------|----------------------------|----|
| 1    | 1012422 | M22 UNI7474                | 1  |
| 2    | 3008341 |                            | 1  |
| 3    | 1102230 | M22x80 UNI5737             | 1  |
| 4    | 1124000 | ø24 UNI6592                | 1  |
| 5    | 3009838 |                            | 1  |
| 6    | 3001120 | ø16,5x35x5                 | 1  |
| 7    | 1101626 | M16x70 UNI5737             | 1  |
| 8    | 1012416 | M16 UNI7474                | 1  |
| 9    | 3000178 |                            | 1  |
| 10   | 1012516 | M16 UNI5588                | 2  |
| 11   | 1111638 | M16x100 UNI5739 (540 rpm)  | 1  |
|      | 1111646 | M16x120 UNI5739 (1000 rpm) | 1  |
| 12   | 3001120 | ø16,5x35x5                 | 1  |
| 13   | 1012416 | M16 UNI7474                | 1  |
| 14   | 3007704 |                            | 1  |
| 15   | 3000088 |                            | 2  |
| 16   | 0002115 | ø4                         | 2  |
| 17   | 3000362 |                            | 2  |
| 18   | 0002101 | ø9                         | 3  |
| 19   | 3001508 |                            | 1  |
| 20   | 1111436 | M14x100 UNI5739 (540 rpm)  | 1  |
|      | 1111430 | M14x90 UNI5739 (1000 rpm)  | 1  |
| 21   | 1012514 | M14 UNI5588                | 2  |
| 22   | 1012420 | M20 UNI7474                | 6  |
| 23   | 3000363 |                            | 4  |
| 24   | 3000406 |                            | 2  |
| 25   | 1102030 | M20x80 UNI5737             | 6  |

| RIF. | CODICE | DESCRIZIONE | N. |
|------|--------|-------------|----|
|------|--------|-------------|----|

| RIF. | CODICE | DESCRIZIONE | N. |
|------|--------|-------------|----|
|------|--------|-------------|----|

# TAV. 570



**KP 1250/2000**



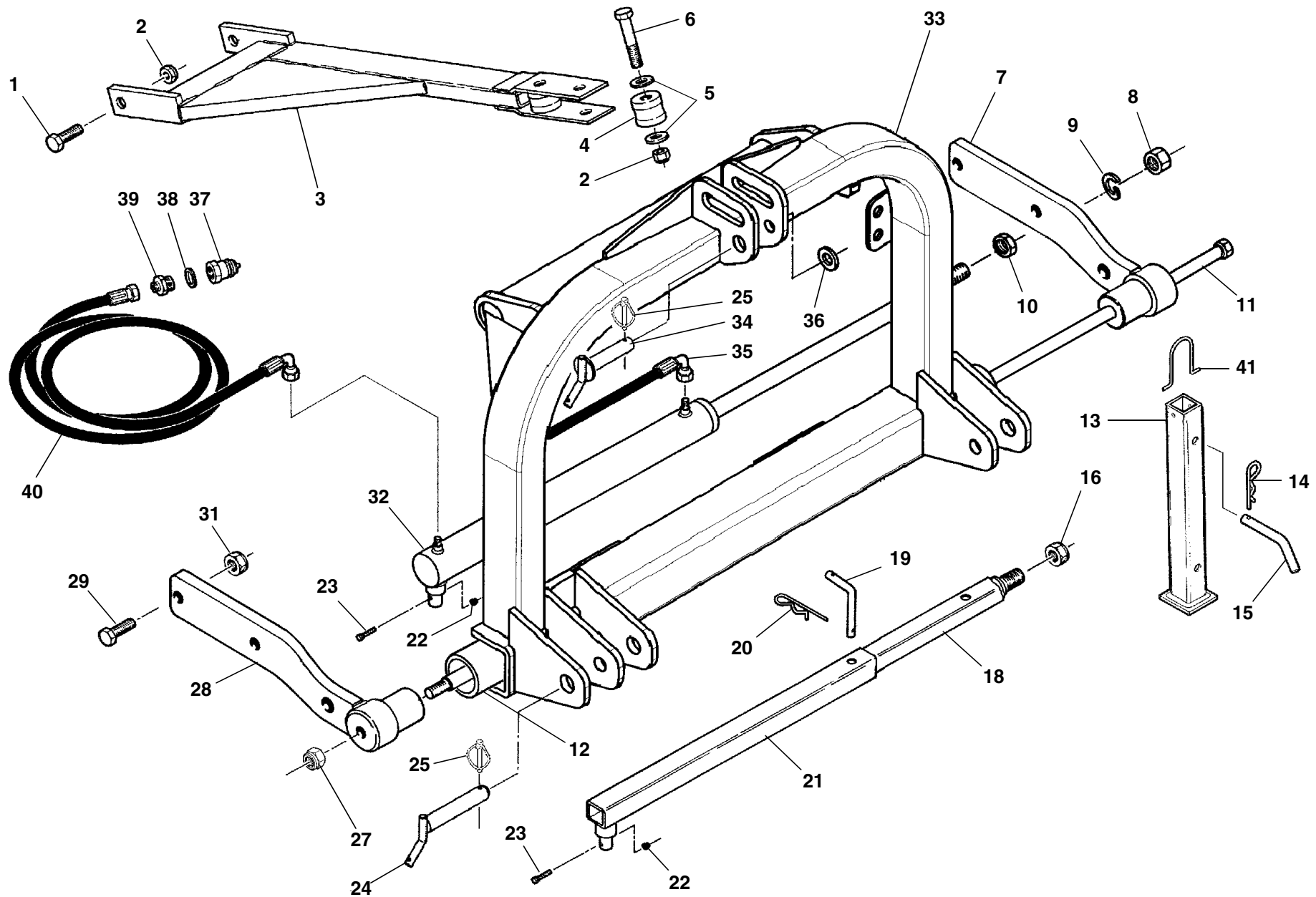
# TAV. 570

| RIF. | CODICE  | DESCRIZIONE     | N. |
|------|---------|-----------------|----|
| 1    | 1111614 | M16x40 UNI5739  | 2  |
| 2    | 1012416 | M16 UNI7474     | 4  |
| 3    | 3001249 |                 | 1  |
| 4    | 3001262 |                 | 2  |
| 5    | 3001120 | ø 16,5x35x5     | 4  |
| 6    | 1101638 | M16x100 UNI5737 | 2  |
| 7    | 3003060 | Sx              | 1  |
| 8    | 1022524 | M24x2 UNI5588   | 1  |
| 9    | 1224000 | ø24 UNI1751     | 1  |
| 10   | 1021524 | M24x2 UNI5589   | 1  |
| 11   | 0002101 | ø9              | 1  |
| 12   | 3001797 | KP 1250         | 1  |
|      | 3001258 | KP 1500/2000    | 1  |
| 13   | 3000740 |                 | 1  |
| 14   | 0002115 | ø4              | 1  |
| 15   | 3000088 |                 | 1  |
| 16   | 1012422 | M22 UNI7474     | 1  |
| 18   | 3001366 |                 | 1  |
| 19   | 3000088 |                 | 1  |
| 20   | 0002115 | ø4              | 1  |
| 21   | 3001365 |                 | 1  |
| 22   | 1012406 | M6 UNI7474      | 1  |
| 23   | 1110610 | M6x30 UNI5739   | 1  |
| 24   | 3000089 |                 | 2  |
| 25   | 0002116 | ø5              | 2  |
| 28   | 3003050 | Dx              | 1  |

| RIF. | CODICE  | DESCRIZIONE    | N. |
|------|---------|----------------|----|
| 29   | 1102022 | M20x60 UNI5737 | 4  |
| 31   | 1012420 | M20 UNI7474    | 4  |
| 32   | 3001799 | KP 1250        | 1  |
|      | 3001268 | KP 1500/2000   | 1  |
| 33   | 3003019 |                | 1  |
| 34   | 3001508 |                | 1  |
| 35   | 0002634 |                | 1  |
| 36   | 3000178 |                | 1  |
| 37   | 0002701 | 1/2"           | 2  |
| 38   | 0002006 | 1/2"           | 2  |
| 39   | 0002300 | 1/2"-1/4"      | 2  |
| 40   | 0002632 |                | 1  |
| 41   | 3007374 |                | 1  |

| RIF. | CODICE | DESCRIZIONE | N. |
|------|--------|-------------|----|
|------|--------|-------------|----|

TAV. 570/1



**KP 2250 - 2400 - 2600**

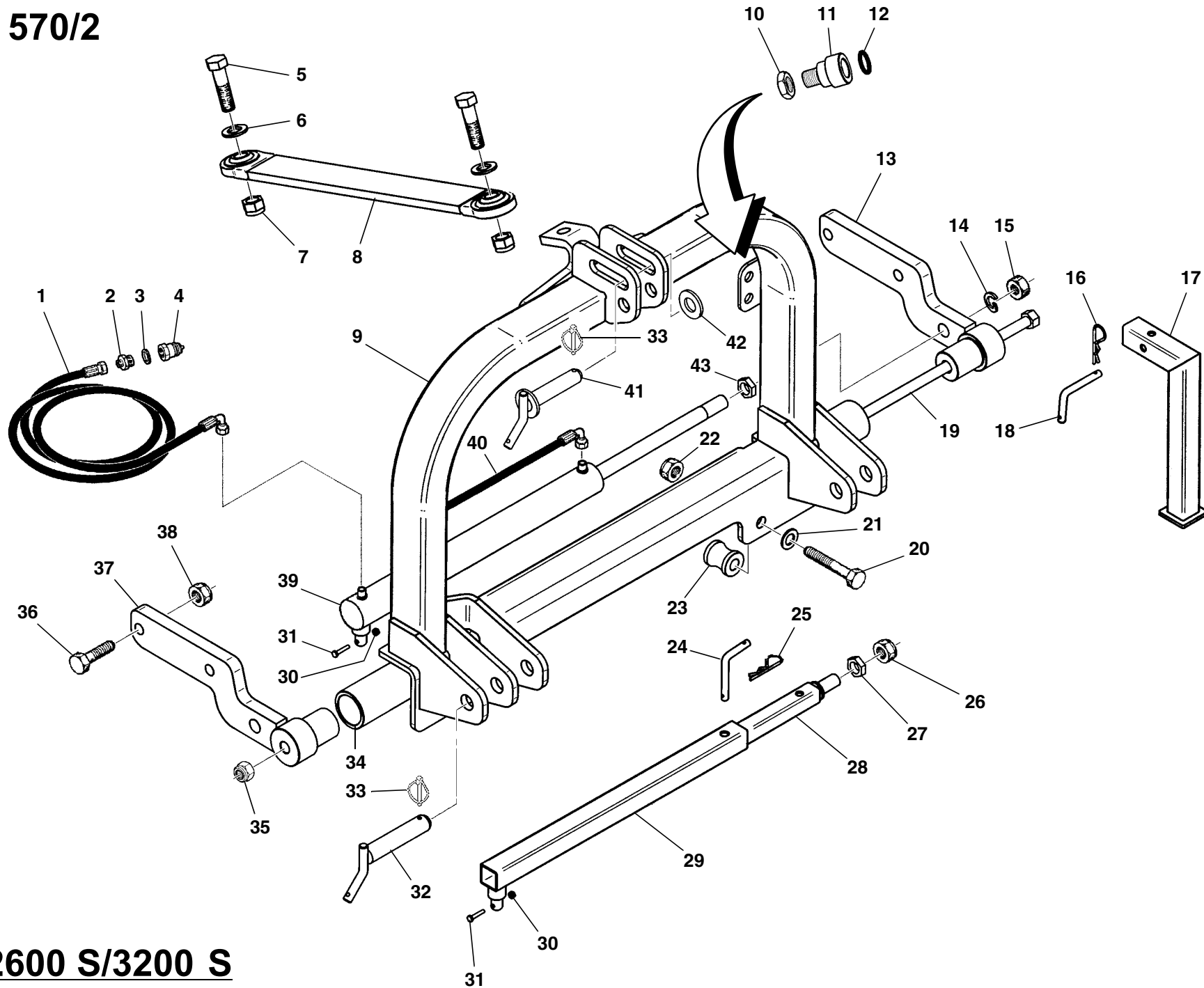
# TAV. 570/1

| RIF. | CODICE  | DESCRIZIONE     | N. |
|------|---------|-----------------|----|
| 1    | 1111614 | M16x40 UNI5739  | 2  |
| 2    | 1012416 | M16 UNI7474     | 4  |
| 3    | 3006130 |                 | 1  |
| 4    | 3004117 |                 | 2  |
| 5    | 1116000 | ø16 UNI6592     | 4  |
| 6    | 1101638 | M16x100 UNI5737 | 2  |
| 7    | 3003060 | Sx              | 1  |
| 8    | 1022524 | M24x2 UNI5588   | 1  |
| 9    | 1224000 | ø24 UNI1751     | 1  |
| 10   | 1021524 | M24x2 UNI5589   | 1  |
| 11   | 3004918 |                 | 1  |
| 12   | 3005010 |                 | 1  |
| 13   | 3000740 |                 | 1  |
| 14   | 0002115 | ø4              | 1  |
| 15   | 3000088 |                 | 1  |
| 16   | 1012422 | M22 UNI7474     | 1  |
| 18   | 3001366 |                 | 1  |
| 19   | 3000088 |                 | 1  |
| 20   | 0002115 | ø4              | 1  |
| 21   | 3001365 |                 | 1  |
| 22   | 1012406 | M6 UNI7474      | 1  |
| 23   | 1110610 | M6x30 UNI5739   | 1  |
| 24   | 3000406 |                 | 2  |
| 25   | 0002101 | ø9              | 3  |
| 27   | 1012418 | M18 UNI7474     | 1  |
| 28   | 3003050 | Dx              | 1  |

| RIF. | CODICE  | DESCRIZIONE    | N. |
|------|---------|----------------|----|
| 29   | 1102022 | M20x60 UNI5737 | 4  |
| 31   | 1012420 | M20 UNI7474    | 4  |
| 32   | 3001268 |                | 1  |
| 33   | 3006096 |                | 1  |
| 34   | 3001508 |                | 1  |
| 35   | 0002634 |                | 1  |
| 36   | 3000178 |                | 1  |
| 37   | 0002701 | 1/2"           | 2  |
| 38   | 0002006 | 1/2"           | 2  |
| 39   | 0002300 | 1/2"-1/4"      | 2  |
| 40   | 0002632 |                | 1  |
| 41   | 3007374 |                | 1  |

| RIF. | CODICE | DESCRIZIONE | N. |
|------|--------|-------------|----|
|------|--------|-------------|----|

TAV. 570/2



**KP 2600 S/3200 S**

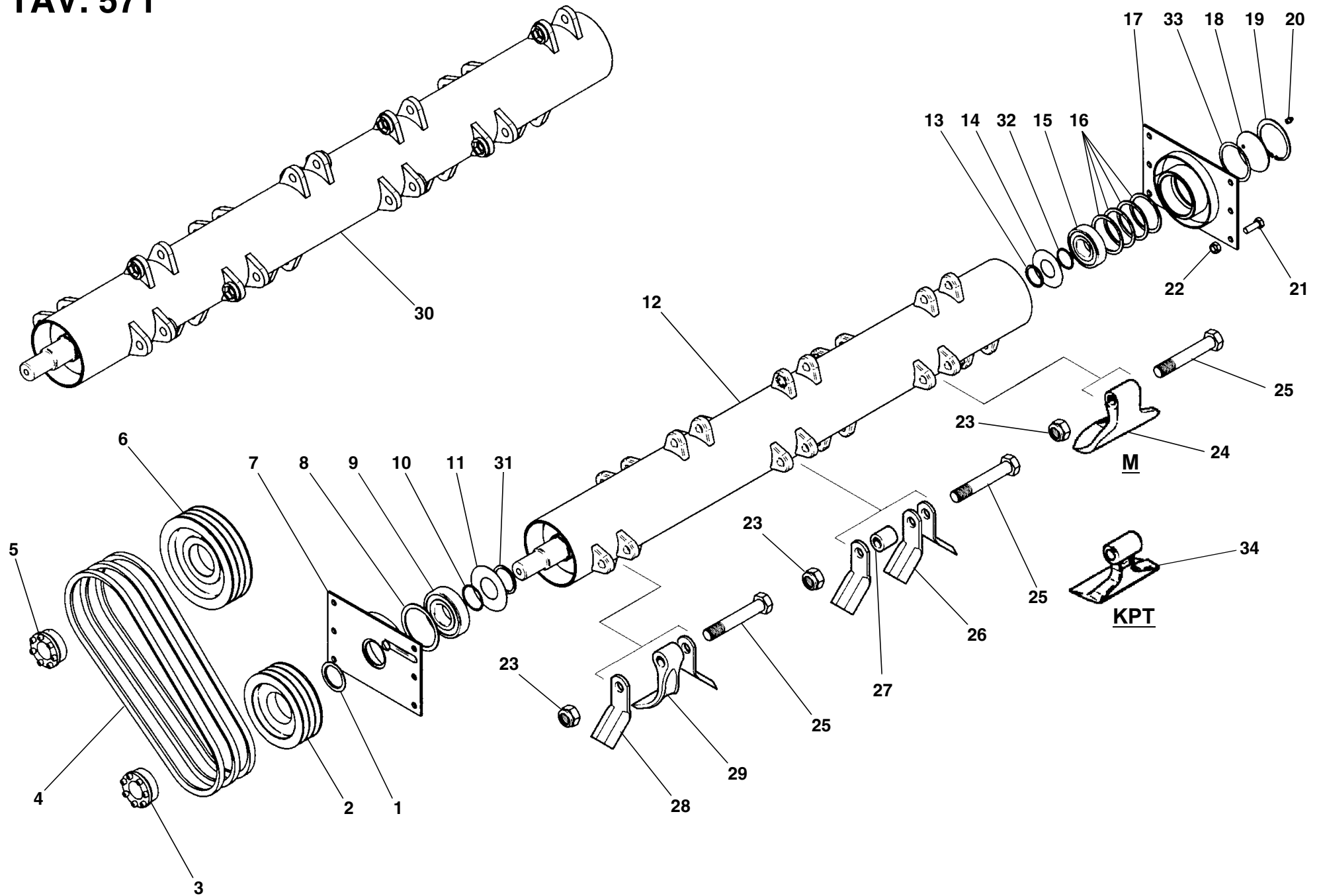
# TAV. 570/2

| RIF. | CODICE  | DESCRIZIONE     | N. |
|------|---------|-----------------|----|
| 1    | 0002632 |                 | 1  |
| 2    | 0002300 | 1/2"-1/4"       | 2  |
| 3    | 0002006 | 1/2"            | 2  |
| 4    | 0002701 | 1/2"            | 2  |
| 5    | 1102230 | M22x80 UNI5737  | 2  |
| 6    | 1124000 | ø24 UNI6592     | 2  |
| 7    | 1012422 | M22 UNI7474     | 2  |
| 8    | 3008341 |                 | 1  |
| 9    | 3007499 |                 | 1  |
| 10   | 1021518 | M18x1,5 UNI5589 | 2  |
| 11   | 3005472 | 1/2"            | 2  |
| 12   | 0001715 | OR 4093-131     | 2  |
| 13   | 3003060 | Sx              | 1  |
| 14   | 1224000 | ø24 UNI1751     | 1  |
| 15   | 1022524 | M24x2 UNI5588   | 1  |
| 16   | 0002115 | ø4              | 2  |
| 17   | 3000362 |                 | 2  |
| 18   | 3000088 |                 | 2  |
| 19   | 3004920 |                 | 1  |
| 20   | 3002392 | M20x120         | 2  |
| 21   | 1120000 | ø20 UNI6592     | 2  |
| 22   | 1012420 | M20 UNI7474     | 2  |
| 23   | 3007501 |                 | 2  |
| 24   | 3000088 |                 | 1  |
| 25   | 0002115 | ø4              | 1  |
| 26   | 1012422 | M22 UNI7474     | 1  |

| RIF. | CODICE  | DESCRIZIONE    | N. |
|------|---------|----------------|----|
| 27   | 1021522 | M22 UNI5589    | 1  |
| 28   | 3001366 |                | 1  |
| 29   | 3001365 |                | 1  |
| 30   | 1012406 | M6 UNI7474     | 1  |
| 31   | 1120612 | M6x35 UNI5931  | 1  |
| 32   | 3000406 |                | 2  |
| 33   | 0002101 | ø9             | 3  |
| 34   | 3007715 |                | 1  |
| 35   | 1012418 | M18 UNI7474    | 1  |
| 36   | 1102022 | M20x60 UNI5737 | 4  |
| 37   | 3003050 | Dx             | 1  |
| 38   | 1012420 | M20 UNI7474    | 4  |
| 39   | 3001268 |                | 1  |
| 40   | 0002634 |                | 1  |
| 41   | 3001508 |                | 1  |
| 42   | 3000178 |                | 1  |
| 43   | 1021524 | M24x2 UNI5589  | 1  |

| RIF. | CODICE | DESCRIZIONE | N. |
|------|--------|-------------|----|
|------|--------|-------------|----|

# TAV. 571



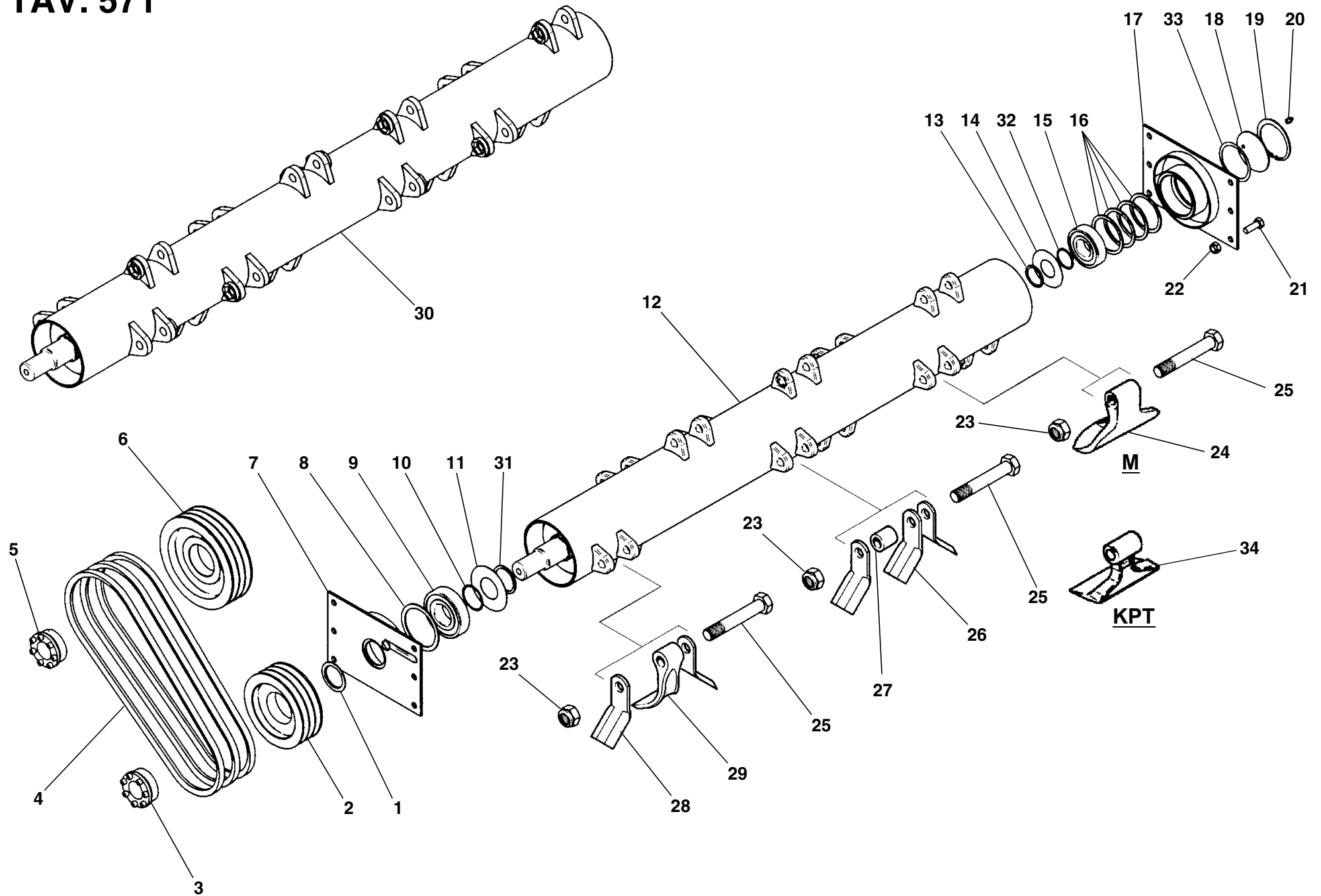
# TAV. 571

| RIF. | CODICE  | DESCRIZIONE                                  | N. |
|------|---------|--|----|
| 1    | 0001821 | 55x75x5,5                                    | 1  |
| 2    | 3000380 | 130x3 SPB KP 850/1250 (540 rpm)              | 1  |
|      | 3000369 | 180x3 SPB KP 1500 (540 rpm)                  | 1  |
|      | 3000370 | 180x4 SPB KP 1750-2000 (540 rpm)             | 1  |
|      | 3000099 | 160x5 SPB KP 2250/2600 (540 rpm)             | 1  |
|      | 3000497 | 180x5 SPB KP 2600S/3000S (540 rpm)           | 1  |
|      | 3000099 | 160x5 SPB KP 3200 (540 rpm)                  | 1  |
|      | 3000369 | 180x3 SPB KP 850/1250 (1000 rpm)             | 1  |
|      | 3001663 | 225x3 SPB KP 1500 (1000 rpm)                 | 1  |
|      | 3001027 | 225x4 SPB KP 1750-2000 (1000 rpm)            | 1  |
|      | 3000907 | 200x5 SPB KP 2250/3000S (1000 rpm)           | 1  |
|      | 3001359 | 225x5 SPB KP 3200S (1000 rpm)                | 1  |
|      | 3000907 | 200x5 SPB KP 3200S (1000 rpm)<br>"M" - "KPT" | 1  |
| 3    | 0001332 | 45x80  | 1  |
| 4    | 0001006 | SPB-X 1320 KP 850/1250<br>(540-1000 rpm)     | 3  |
|      | 0001016 | SPB-X 1400 KP 1500 (540-1000 rpm)            | 3  |
|      | 0001016 | SPB-X 1400 KP 1750-2000<br>(540-1000 rpm)    | 4  |
|      | 0001006 | SPB-X 1320 KP 2250/2600 (540 rpm)            | 5  |
|      | 0001016 | SPB-X 1400 KP 2250/2600 (1000 rpm)           | 5  |
|      | 0001016 | SPB-X 1400 KP 2600S/3000S<br>(540-1000 rpm)  | 5  |
|      | 0001016 | SPB-X 1400 KP 3200S (540rpm)                 | 5  |
|      | 0001000 | SPB-X 1500 KP 3200S (1000 rpm)               | 5  |
|      | 0001016 | SPB-X 1400 KP 3200S (1000rpm)<br>"M" - "KPT" | 5  |

| RIF. | CODICE  | DESCRIZIONE                                   | N. |
|------|---------|---|----|
| 5    | 0001333 | 35x80 KP 850/1250                             | 1  |
|      | 0001332 | 45x80 KP 1500/3200 S                          | 1  |
| 6    | 3000369 | 180x3 SPB KP 850/1250 (540 rpm)               | 1  |
|      | 3001663 | 225x3 SPB KP 1500 (540 rpm)                   | 1  |
|      | 3001027 | 225x4 SPB KP 1750-2000 (540 rpm)              | 1  |
|      | 3000497 | 180x5 SPB KP 2250/2600 (540 rpm)              | 1  |
|      | 3000725 | 212x5 SPB KP 2600S/3000S (540 rpm)            | 1  |
|      | 3000497 | 180x5 SPB KP 3200S (540 rpm)                  | 1  |
|      | 3000380 | 130x3 SPB KP 850/1250 (1000 rpm)              | 1  |
|      | 3000368 | 160x3 SPB KP 1500 (1000 rpm)                  | 1  |
|      | 3000102 | 160x4 SPB KP 1750-2000 (1000 rpm)             | 1  |
|      | 3000497 | 180x5 SPB KP 2250/3000S (1000 rpm)            | 1  |
|      | 3000907 | 200x5 SPB KP 3200S (1000 rpm)                 | 1  |
|      | 3000099 | 160x5 SPB KP 3200 S (1000 rpm)<br>"M" - "KPT" | 1  |
| 7    | 3000225 | Sx KP 850/2600                                | 1  |
|      | 3001404 | Sx KP 2600S/3000S                             | 1  |
|      | 3003069 | Sx KP 3200S                                   | 1  |
| 8    | 3001936 | 99x119x3                                      | —  |
| 9    | 0001400 | 1311  | 1  |
| 10   | 3000347 | 58x65x1                                       | —  |
| 11   | 3000346 |   | 1  |
| 12   | 3001279 | KP 850  | 1  |
|      | 3000286 | KP 1000                                       | 1  |
|      | 3000287 | KP 1250                                       | 1  |
|      | 3000288 | KP 1500                                       | 1  |

| RIF. | CODICE  | DESCRIZIONE                       | N. |
|------|---------|-----------------------------------|----|
|      | 3000277 | KP 1750                           | 1  |
|      | 3004281 | KP 2000                           | 1  |
|      | 3000385 | KP 2250                           | 1  |
|      | 3004502 | KP 2400                           | 1  |
|      | 3000391 | KP 2600                           | 1  |
|      | 3002432 | KP 2600 S                         | 1  |
|      | 3001414 | KP 2800S                          | 1  |
|      | 3006481 | KP 3000S                          | 1  |
|      | 3003054 | KP 3200S                          | 1  |
| 13   | 3002681 | 45,2x55x2 KP 850/3000S            | —  |
|      | 3000347 | 58x65x1 KP 3200S                  | —  |
| 14   | 3000345 | KP 850/3000S                      | 1  |
|      | 3000346 | KP 3200S                          | 1  |
| 15   | 0001401 | 1309 KP 850/3000S                 | 1  |
|      | 0001400 | 1311 KP 3200S                     | 1  |
| 16   | 3001935 | 89,2x99x3 KP 850/3000S            | —  |
|      | 3001936 | 99x119x3 KP 3200S                 | —  |
| 17   | 3001009 | Dx KP 850/2600                    | 1  |
|      | 3001405 | Dx KP 2600S/3000S                 | 1  |
|      | 3003070 | Dx KP 3200S                       | 1  |
| 18   | 3001012 | KP 850/3000S                      | 1  |
|      | 3003067 | KP 3200S                          | 1  |
| 19   | 1020100 | Seeger I 100 UNI7437 KP 850/3000S | 1  |
|      | 1020120 | Seeger I 120 UNI7437 KP 3200S     | 1  |
| 20   | 0002654 | M10x1                             | 1  |
| 21   | 1111410 | M14x30 UNI5739                    | 12 |

# TAV. 571





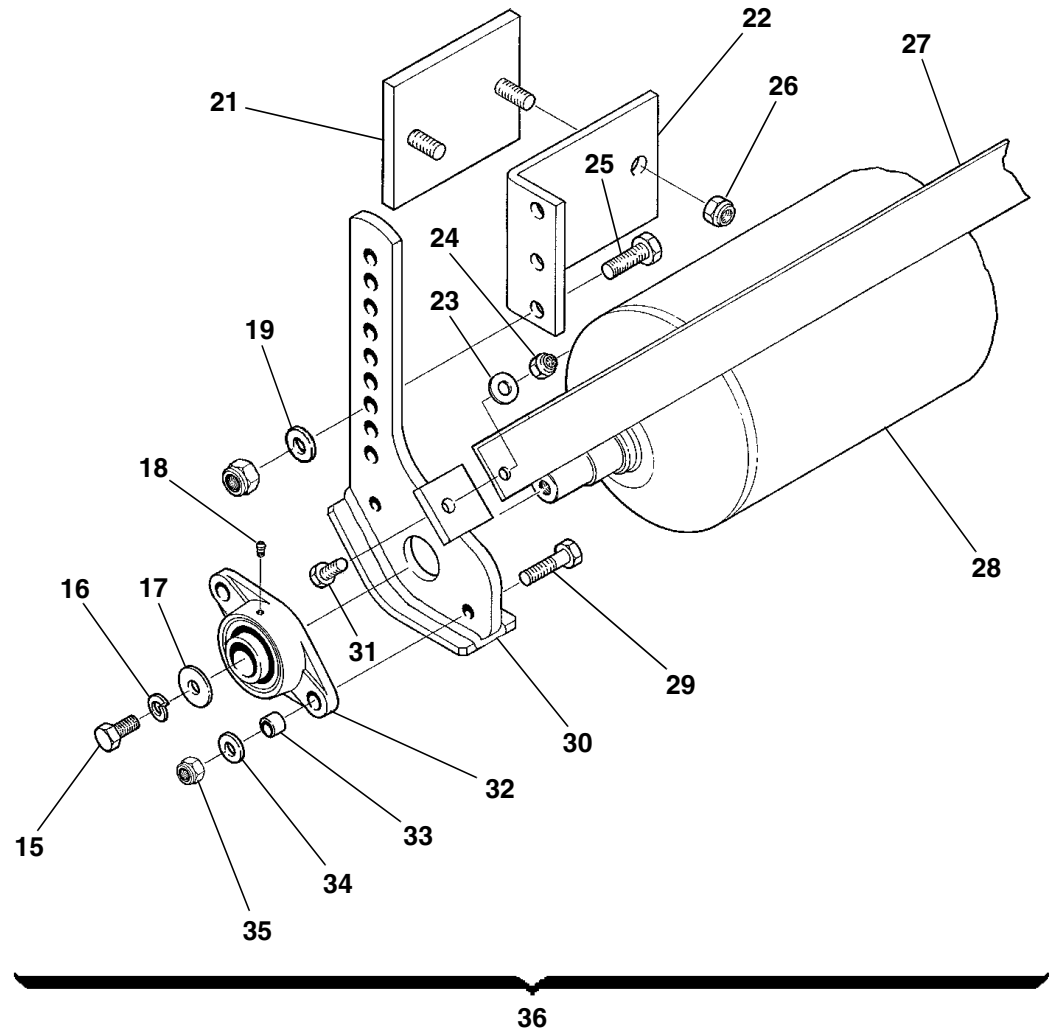
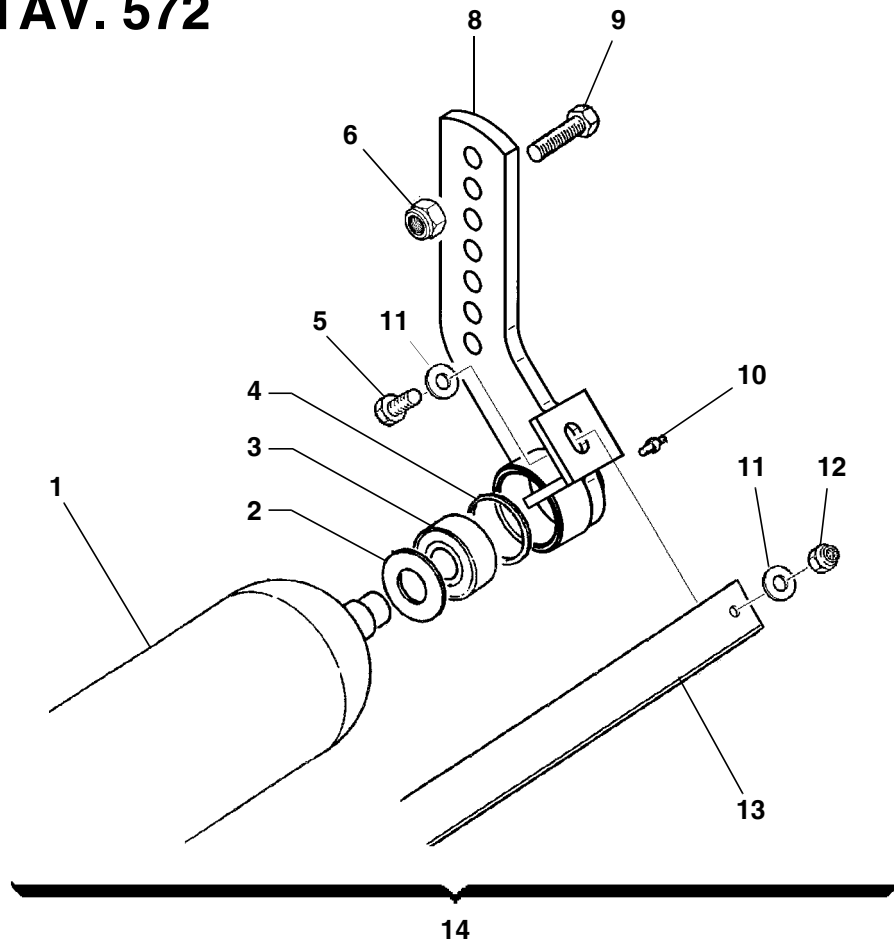
# TAV. 571

| RIF. | CODICE  | DESCRIZIONE                | N. |
|------|---------|----------------------------|----|
| 22   | 1012414 | M14 UNI7474                | 12 |
| 23   | 1012420 | M20 UNI7474 KP 850-1000    | 8  |
|      | 1012420 | M20 UNI7474 KP 1250-1500   | 12 |
|      | 1012420 | M20 UNI7474 KP 1750        | 16 |
|      | 1012420 | M20 UNI7474 KP 2000/2400   | 20 |
|      | 1012420 | M20 UNI7474 KP 2600        | 24 |
|      | 1012420 | M20 UNI7474 KP 2800S/3200S | 32 |
| 24   | 3001119 | KP 850-1000                | 8  |
|      | 3001119 | KP 1250-1500               | 12 |
|      | 3001119 | KP 1750                    | 16 |
|      | 3001119 | KP 2000/2400               | 20 |
|      | 3001119 | KP 2600 - 2600 S           | 24 |
|      | 3001119 | KP 2800S/3200S             | 32 |
| 25   | 3002392 | M20x120 KP 850-1000        | 8  |
|      | 3002392 | M20x120 KP 1250-1500       | 12 |
|      | 3002392 | M20x120 KP 1750            | 16 |
|      | 3002392 | M20x120 KP 2000/2400       | 20 |
|      | 3002392 | M20x120 KP 2600 - 2600 S   | 24 |
|      | 3002392 | M20x120 KP 2800S/3200S     | 32 |
| 26   | 3000323 | KP 850-1000                | 24 |
|      | 3000323 | KP 1250-1500               | 36 |
|      | 3000323 | KP 1750                    | 48 |
|      | 3000323 | KP 2000/2400               | 60 |
|      | 3000323 | KP 2600 - 2600 S           | 72 |
|      | 3000323 | KP 2800S/3200S             | 96 |
| 27   | 3000552 | KP 850-1000                | 8  |

| RIF. | CODICE  | DESCRIZIONE              | N. |
|------|---------|--------------------------|----|
|      | 3000552 | KP 1250-1500             | 12 |
|      | 3000552 | KP 1750                  | 16 |
|      | 3000552 | KP 2000/2400             | 20 |
|      | 3000552 | KP 2600 - 2600 S         | 24 |
|      | 3000552 | KP 2800S/3200S           | 32 |
| 28   | 3000323 | KP 850-1000              | 16 |
|      | 3000323 | KP 1250-1500             | 24 |
|      | 3000323 | KP 1750                  | 32 |
|      | 3000323 | KP 2000/2400             | 40 |
|      | 3000323 | KP 2600 - 2600 S         | 48 |
|      | 3000323 | KP 2800S/3200S           | 64 |
| 29   | 3000548 | KP 850-1000              | 8  |
|      | 3000548 | KP 1250-1500             | 12 |
|      | 3000548 | KP 1750                  | 16 |
|      | 3000548 | KP 2000/2400             | 20 |
|      | 3000548 | KP 2600 - 2600 S         | 24 |
|      | 3000548 | KP 2800S/3200S           | 32 |
| 30   | 3007877 | KP 1250                  | 1  |
|      | 3006483 | KP 1500                  | 1  |
|      | 3006006 | KP 1750                  | 1  |
|      | 3006007 | KP 2000                  | 1  |
|      | 3006347 | KP 2250                  | 1  |
| 31   | 3000640 | 58,5x71x3                | —  |
| 32   | 3000180 | 45x51,5x1,5 KP 850/3000S | —  |
|      | 3000347 | 58x65x1 KP 3200S         | —  |
| 33   | 3001123 | 83,5x99x1 KP 850/3000S   | —  |

| RIF. | CODICE  | DESCRIZIONE       | N. |
|------|---------|-------------------|----|
|      | 3004403 | 99x119x1 KP 3200S | —  |
| 34   | 3011270 | KP 850-1000       | 8  |
|      | 3011270 | KP 1250-1500      | 12 |
|      | 3011270 | KP 1750           | 16 |
|      | 3011270 | KP 2000/2400      | 20 |
|      | 3011270 | KP 2600 - 2600 S  | 24 |
|      | 3011270 | KP 2800S/3200S    | 32 |

# TAV. 572



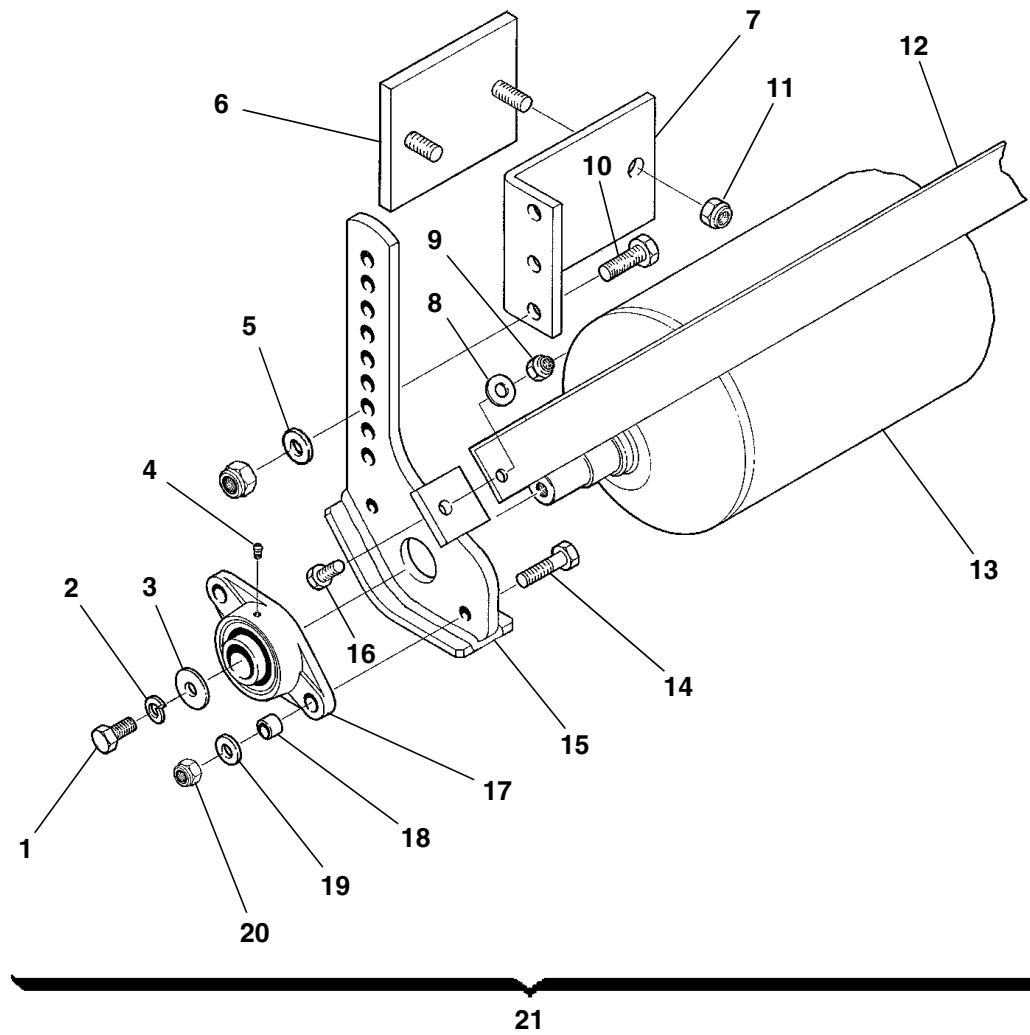
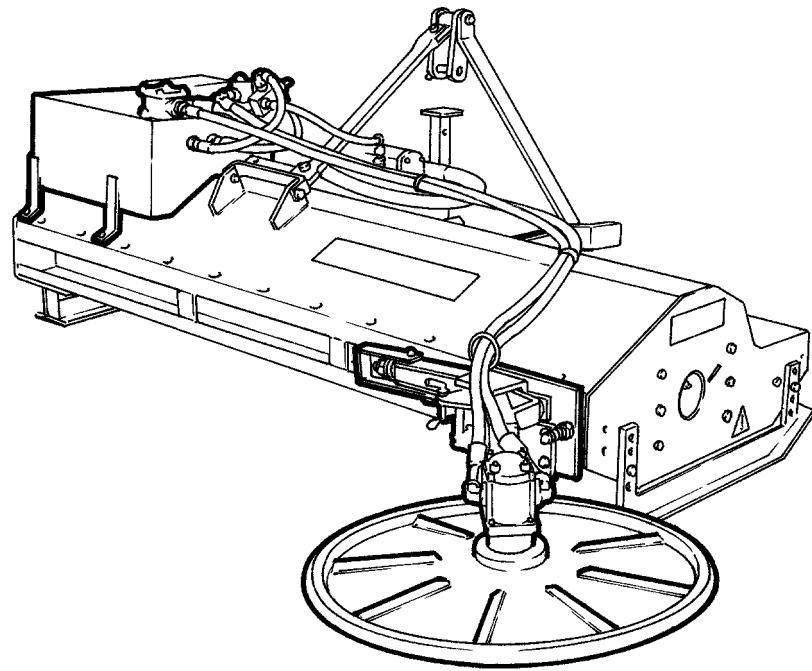
# TAV. 572

| RIF. | CODICE  | DESCRIZIONE     | N. |
|------|---------|-----------------|----|
| 1    | 3001299 | KP 850          | 1  |
|      | 3000428 | KP 1000         | 1  |
|      | 3001795 | KP 1250         | 1  |
|      | 3001263 | KP 1500         | 1  |
|      | 3001264 | KP 1750         | 1  |
|      | 3001265 | KP 2000         | 1  |
|      | 3002540 | KP 2250         | 1  |
|      | 3004517 | KP 2400         | 1  |
|      | 3002562 | KP 2600         | 1  |
| 2    | 3000486 |                 | 2  |
| 3    | 0001411 | 6205 2RS        | 2  |
| 4    | 3000180 | 45x51,5x1,5     | —  |
| 5    | 1111010 | M10x30 UNI5739  | 2  |
| 6    | 1012414 | M14 UNI7474     | 4  |
| 8    | 3001853 | Dx              | 1  |
|      | 3001854 | Sx              | 1  |
| 9    | 1111414 | M14x40 UNI5739  | 4  |
| 10   | 0002654 | M10x1           | 2  |
| 11   | 1310303 | 10x30x3 UNI6593 | 4  |
| 12   | 1012410 | M10 UNI7474     | 2  |
| 13   | 3001302 | KP 850          | 1  |
|      | 3001226 | KP 1000         | 1  |
|      | 3001796 | KP 1250         | 1  |
|      | 3001370 | KP 1500         | 1  |
|      | 3001371 | KP 1750         | 1  |
|      | 3001372 | KP 2000         | 1  |
|      | 3002541 | KP 2250         | 1  |
|      | 3004518 | KP 2400         | 1  |

| RIF. | CODICE  | DESCRIZIONE              | N. |
|------|---------|--------------------------|----|
|      | 3002563 | KP 2600                  | 1  |
| 14   | 8391001 | KP 850                   | 1  |
|      | 8231001 | KP 1000                  | 1  |
|      | 8241001 | KP 1250                  | 1  |
|      | 8251001 | KP 1500                  | 1  |
|      | 8261001 | KP 1750                  | 1  |
|      | 8271001 | KP 2000                  | 1  |
|      | 8281001 | KP 2250                  | 1  |
|      | 8940001 | KP 2400                  | 1  |
|      | 8291002 | KP 2600                  | 1  |
| 15   | 1111208 | M12x25 UNI5739           | 2  |
| 16   | 1212000 | ø12 UNI1751              | 2  |
| 17   | 1312363 | ø12 UNI6593              | 2  |
| 18   | 0002659 | M6                       | 2  |
| 19   | 1012414 | M14 UNI7474              | 4  |
| 21   | 3000157 | KP 1250/2400             | 2  |
|      | 3002035 | KP 2600                  | 2  |
| 22   | 3000057 |                          | 2  |
| 23   | 1310303 | ø10 UNI6593 KP 1250/2000 | 4  |
|      | 1312363 | ø12 UNI6593 KP 2250/2600 | 4  |
| 24   | 1012410 | M10 UNI7474 KP 1250/2000 | 2  |
|      | 1012412 | M12 UNI7474 KP 2250/2600 | 2  |
| 25   | 1111414 | M14x40 UNI5739           | 4  |
| 26   | 1012414 | M14 UNI7474 KP 1250/2400 | 4  |
|      | 1012416 | M16 UNI7474 KP 2600      | 4  |
| 27   | 3001089 | KP 1250                  | 1  |
|      | 3002190 | KP 1500                  | 1  |
|      | 3002564 | KP 1750                  | 1  |

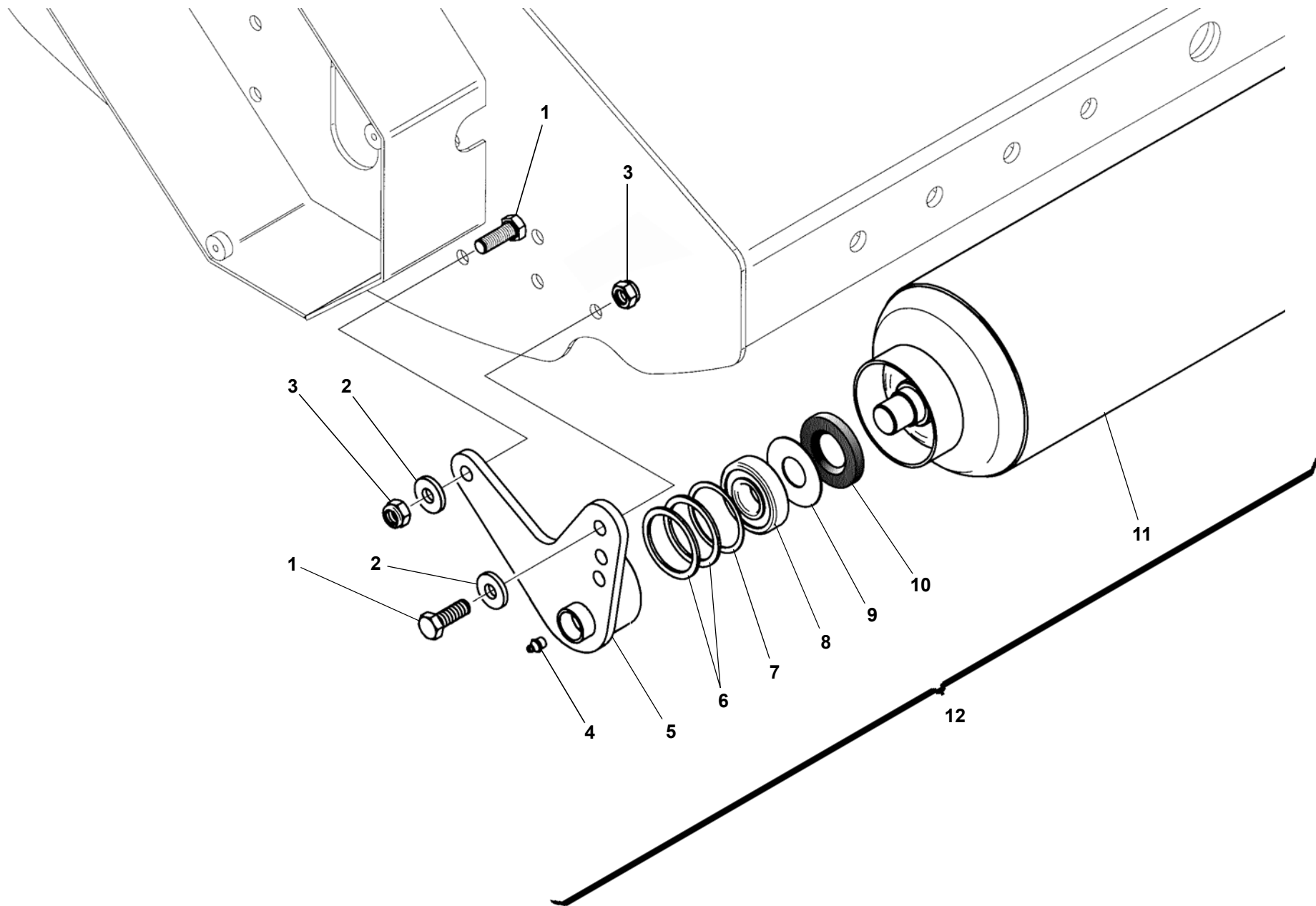
| RIF. | CODICE  | DESCRIZIONE                 | N. |
|------|---------|-----------------------------|----|
|      | 3001091 | KP 2000                     | 1  |
|      | 3001092 | KP 2250-2400                | 1  |
|      | 3002154 | KP 2600                     | 1  |
| 28   | 3000543 | KP 1250                     | 1  |
|      | 3001872 | KP 1500                     | 1  |
|      | 3002466 | KP 1750                     | 1  |
|      | 3000545 | KP 2000                     | 1  |
|      | 3000546 | KP 2250-2400                | 1  |
|      | 3002153 | KP 2600                     | 1  |
| 29   | 1101216 | M12x45 UNI5737              | 4  |
| 30   | 3002527 | Dx                          | 1  |
|      | 3002528 | Sx                          | 1  |
| 31   | 1111010 | M10x30 UNI5739 KP 1250/2000 | 2  |
|      | 1111212 | M12x35 UNI5739 KP 2250/2600 | 2  |
| 32   | 0001412 |                             | 2  |
| 33   | 3000513 |                             | 4  |
| 34   | 1112000 | ø12 UNI6592                 | 4  |
| 35   | 1012412 | M12 UNI7474                 | 4  |
| 36   | 8241009 | KP 1250                     | 1  |
|      | 8251005 | KP 1500                     | 1  |
|      | 8261002 | KP 1750                     | 1  |
|      | 8271002 | KP 2000                     | 1  |
|      | 8040002 | KP 2250-2400                | 1  |
|      | 8490001 | KP 2600                     | 1  |

# TAV. 572/1





**TAV. 572/2**



**KP 2600 S - 2800 S - 3000 S - 3200 S**

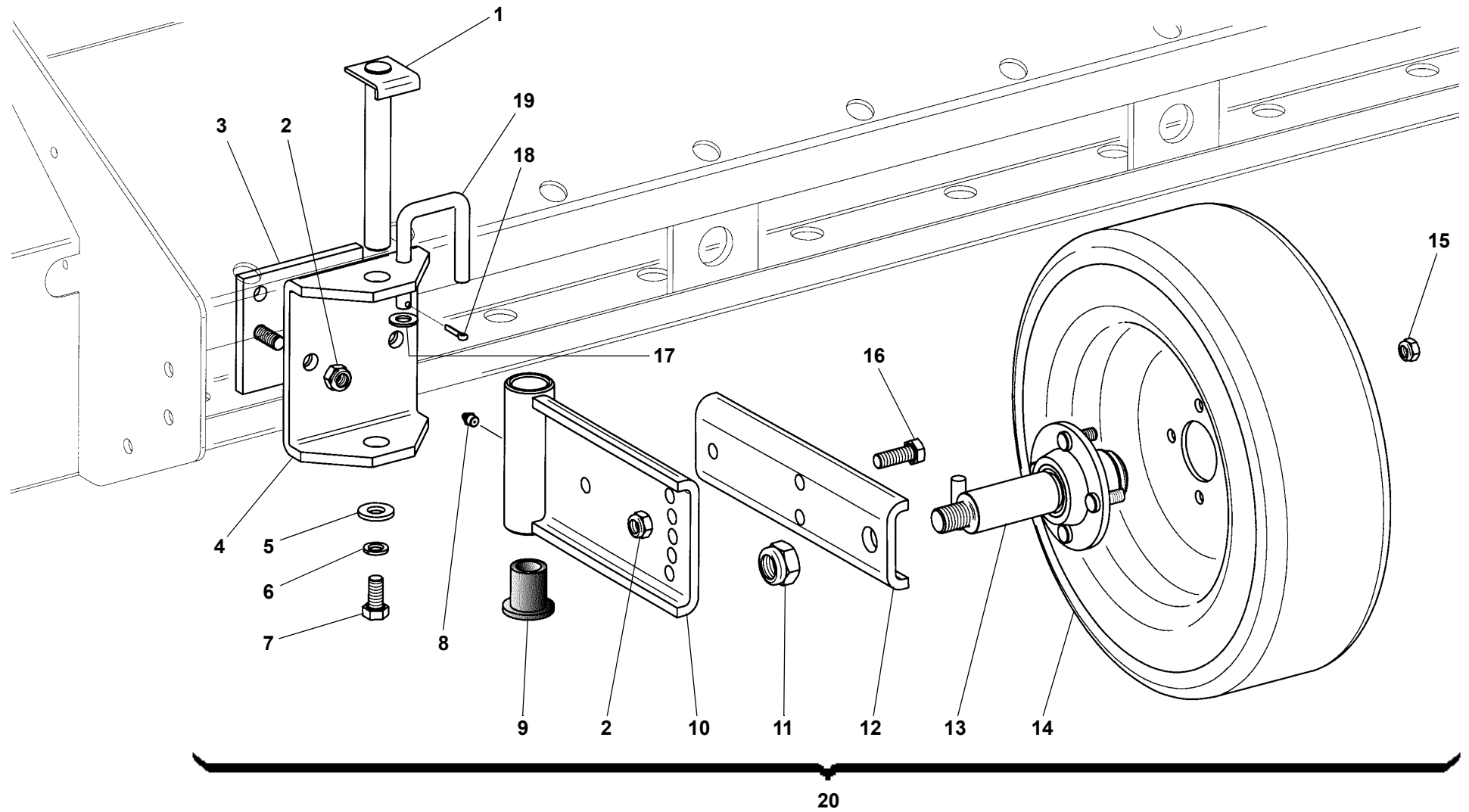
# TAV. 572/2

| RIF. | CODICE  | DESCRIZIONE    | N. |
|------|---------|----------------|----|
| 1    | 1111414 | M14x40 UNI5739 | 4  |
| 2    | 3001118 | ø14,5x35x5     | 4  |
| 3    | 1012414 | M14 UNI7474    | 4  |
| 4    | 0002654 | M10x1          | 2  |
| 5    | 3005628 | Dx             | 1  |
|      | 3005629 | Sx             | 1  |
| 6    | 3000640 | 58,5x71x3      | 4  |
| 7    | 3000181 | 61x71,5x1,5    | 2  |
| 8    | 0001521 | 21306          | 2  |
| 9    | 3000648 |                | 2  |
| 10   | 0001805 | 35x72x10       | 2  |
| 11   | 3002429 | KP 2600 S      | 1  |
|      | 3001435 | KP 2800S       | 1  |
|      | 3008453 | KP 3000S       | 1  |
|      | 3003086 | KP 3200S       | 1  |
| 12   | 8291015 | KP 2600 S      | 1  |
|      | 8860017 | KP 2800S       | 1  |
|      | 8862006 | KP 3000S       | 1  |
|      | 8863002 | KP 3200S       | 1  |

| RIF. | CODICE | DESCRIZIONE | N. |
|------|--------|-------------|----|
|------|--------|-------------|----|

| RIF. | CODICE | DESCRIZIONE | N. |
|------|--------|-------------|----|
|------|--------|-------------|----|

TAV. 573



**KP 850/2000**



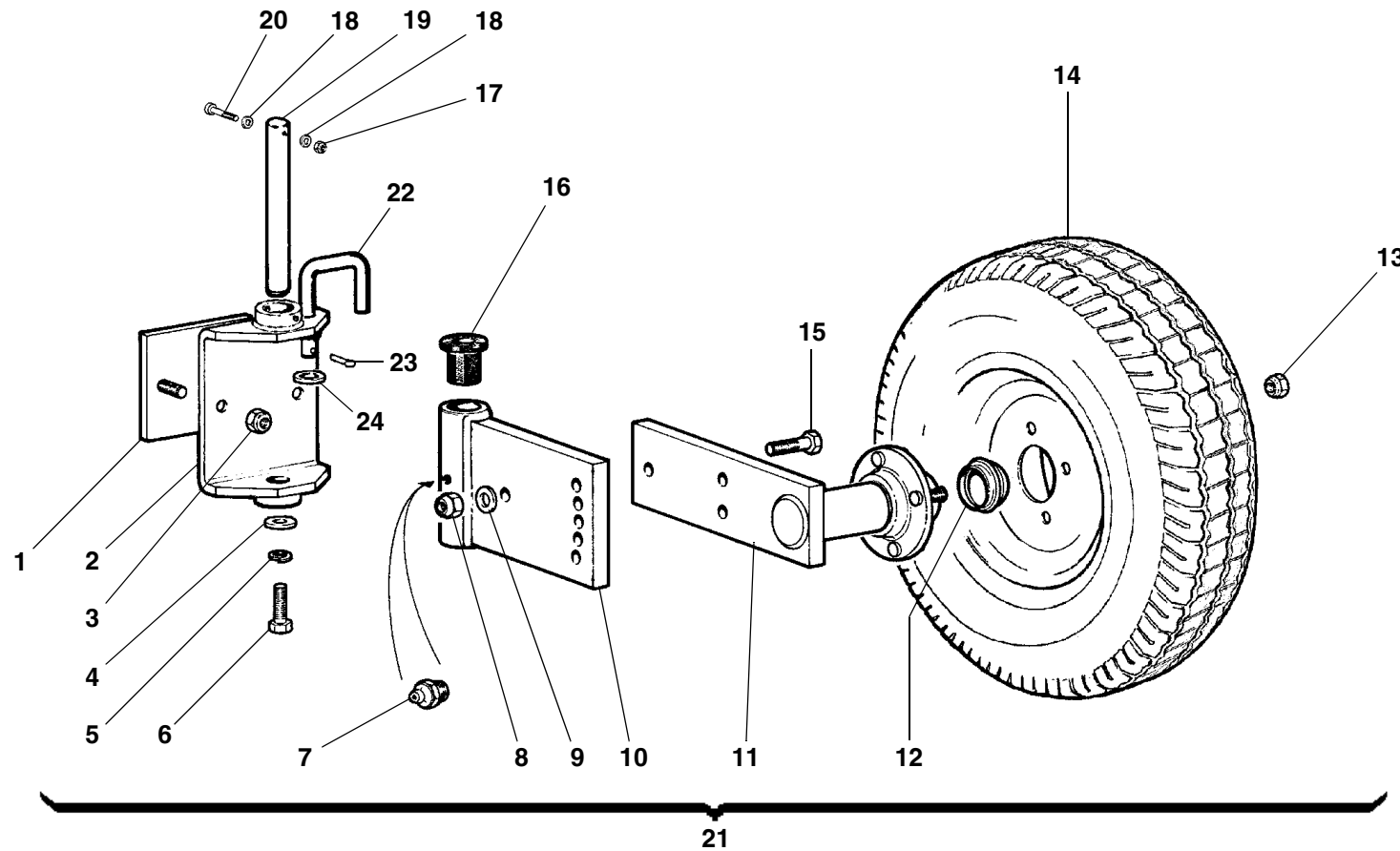
# TAV. 573

| RIF. | CODICE  | DESCRIZIONE     | N. |
|------|---------|-----------------|----|
| 1    | 3000077 |                 | 1  |
| 2    | 1012414 | M14 UNI7474     | 4  |
| 3    | 3000157 |                 | 1  |
| 4    | 3009456 | Dx              | 1  |
|      | 3009455 | Sx              | 1  |
| 5    | 3001118 | 14,5x35x5       | 1  |
| 6    | 1214000 | ø14 UNI1751     | 1  |
| 7    | 1111410 | M14x30 UNI5739  | 1  |
| 8    | 0002654 | M10x1           | 1  |
| 9    | 3000078 |                 | 2  |
| 10   | 3000146 |                 | 1  |
| 11   | 1022424 | M24x2 UNI7474   | 1  |
| 12   | 3000059 |                 | 1  |
| 13   | 3002891 |                 | 1  |
| 14   | 0003639 | 145/10          | 1  |
| 15   | 0003701 |                 | 4  |
| 16   | 1111414 | M14x40 UNI5739  | 2  |
| 17   | 1114000 | ø14 UNI 6592    | 1  |
| 18   | 1559024 | ø4,5x20 UNI1336 | 1  |
| 19   | 3009414 |                 | 1  |
| 20   | 6010001 | Dx              | 1  |
|      | 6010002 | Sx              | 1  |

| RIF. | CODICE | DESCRIZIONE | N. |
|------|--------|-------------|----|
|------|--------|-------------|----|

| RIF. | CODICE | DESCRIZIONE | N. |
|------|--------|-------------|----|
|------|--------|-------------|----|

TAV. 573/1



**KP 2250/2600**

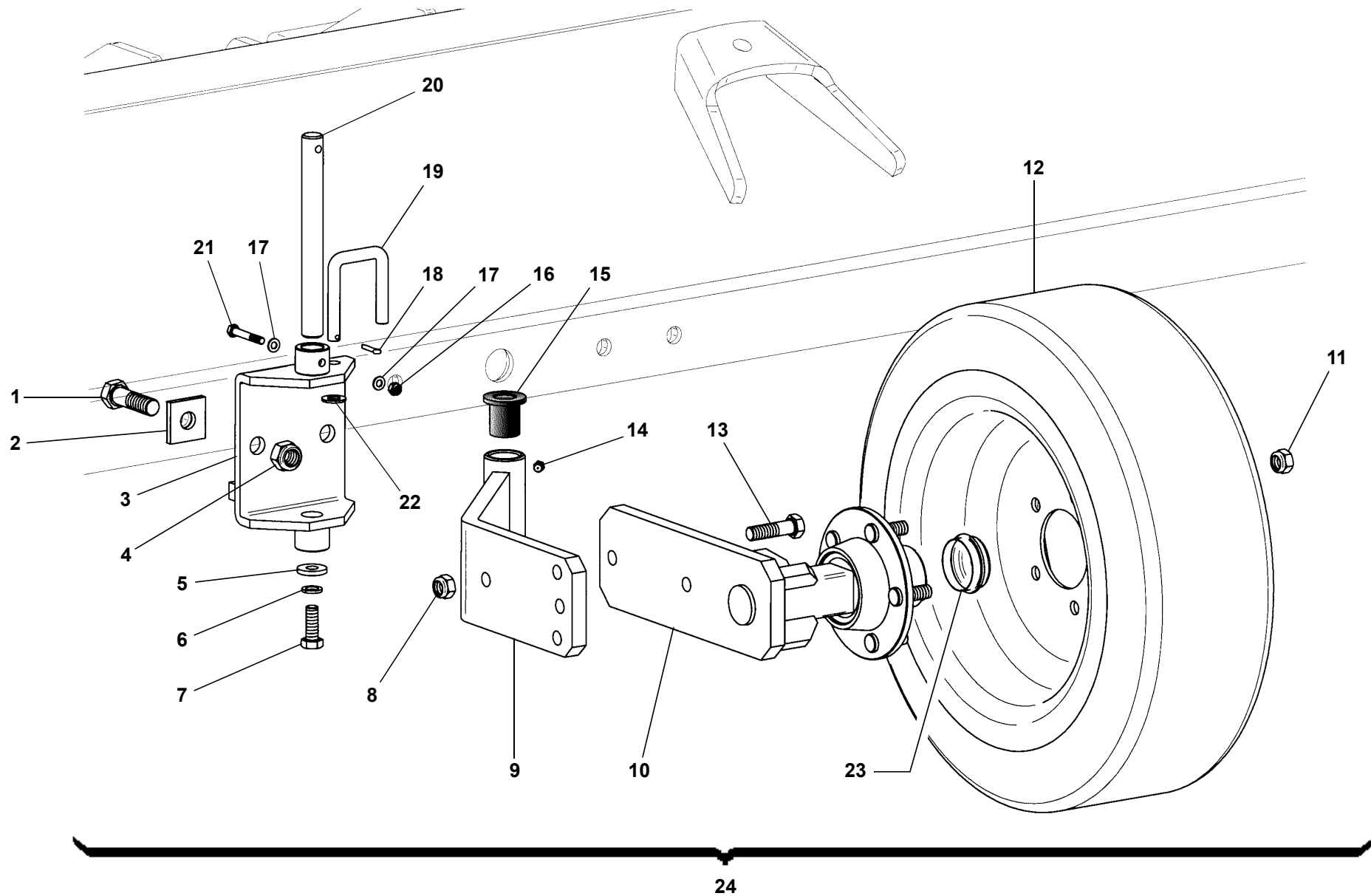
# TAV. 573/1

| RIF. | CODICE  | DESCRIZIONE    | N. |
|------|---------|----------------|----|
| 1    | 3002035 |                | 1  |
| 2    | 3004461 | Dx             | 1  |
|      | 3004462 | Sx             | 1  |
| 3    | 1012416 | M16 UNI7474    | 2  |
| 4    | 3001118 | ø14,5x35x5     | 1  |
| 5    | 1214000 | ø14 UNI1751    | 1  |
| 6    | 1111410 | M14x30 UNI5739 | 1  |
| 7    | 0002654 | M10x1          | 1  |
| 8    | 1012414 | M14 UNI7474    | 2  |
| 9    | 1114000 | ø14 UNI6592    | 2  |
| 10   | 3002152 |                | 2  |
| 11   | 3001989 |                | 2  |
| 12   | 0003713 |                | 1  |
| 13   | 0003701 |                | 4  |
| 14   | 0003560 | 165/70R13      | 1  |
| 15   | 1101426 | M14x70 UNI5737 | 2  |
| 16   | 3000078 |                | 2  |
| 17   | 1012408 | M8 UNI7474     | 1  |
| 18   | 1108000 | ø8 UNI6592     | 2  |
| 19   | 3004400 |                | 1  |
| 20   | 1120820 | M8x55 UNI5931  | 1  |
| 21   | 6490001 | Dx             | 1  |
|      | 6490002 | Sx             | 1  |
| 22   | 3009414 |                | 1  |
| 23   | 1159024 | 4,5x20 UNI1336 | 1  |
| 24   | 1114000 | ø14 UNI6592    | 1  |

| RIF. | CODICE | DESCRIZIONE | N. |
|------|--------|-------------|----|
|------|--------|-------------|----|

| RIF. | CODICE | DESCRIZIONE | N. |
|------|--------|-------------|----|
|------|--------|-------------|----|

# TAV. 573/2



**KP 2600 S - 2800 S - 3000 S - 3200 S**

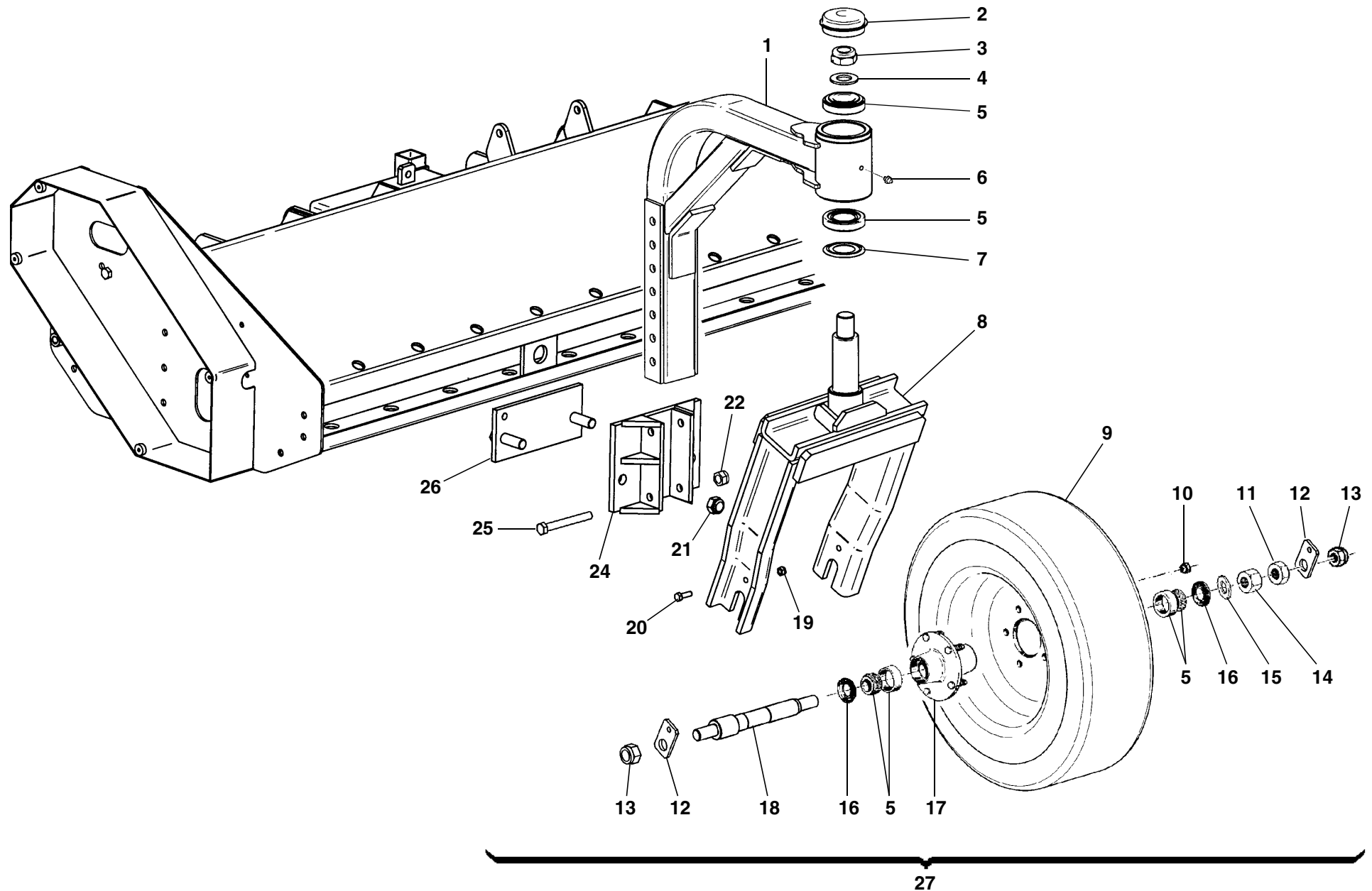
# TAV. 573/2

| RIF. | CODICE  | DESCRIZIONE    | N. |
|------|---------|----------------|----|
| 1    | 1102026 | M20x70 UNI5737 | 2  |
| 2    | 3001028 |                | 2  |
| 3    | 3009452 | Dx             | 1  |
|      | 3009451 | Sx             | 1  |
| 4    | 1012420 | M20 UNI7474    | 2  |
| 5    | 3001118 | ø14,5x35x5     | 1  |
| 6    | 1214000 | ø14 UNI1751    | 1  |
| 7    | 1111414 | M14x40 UNI5739 | 1  |
| 8    | 1012416 | M16 UNI7474    | 2  |
| 9    | 3005506 |                | 1  |
| 10   | 3005504 |                | 1  |
| 11   | 0003707 |                | 5  |
| 12   | 0003662 | 200/60-14,5    | 1  |
| 13   | 1101622 | M16x60 UNI5737 | 2  |
| 14   | 0002654 | M10x1          | 1  |
| 15   | 3000078 |                | 2  |
| 16   | 1012408 | M8 UNI7474     | 1  |
| 17   | 1108000 | ø8 UNI6592     | 2  |
| 18   | 1159024 | 4,5x20 UNI1336 | 1  |
| 19   | 3009414 |                | 1  |
| 20   | 3004400 |                | 1  |
| 21   | 1100820 | M8x55 UNI5737  | 1  |
| 22   | 1114000 | ø14 UNI6592    | 1  |
| 23   | 0003700 |                | 1  |
| 24   | 8869304 | Dx             | 1  |
|      | 8869305 | Sx             | 1  |

| RIF. | CODICE | DESCRIZIONE | N. |
|------|--------|-------------|----|
|------|--------|-------------|----|

| RIF. | CODICE | DESCRIZIONE | N. |
|------|--------|-------------|----|
|------|--------|-------------|----|

TAV. 573/3



**KP 2000/2600**

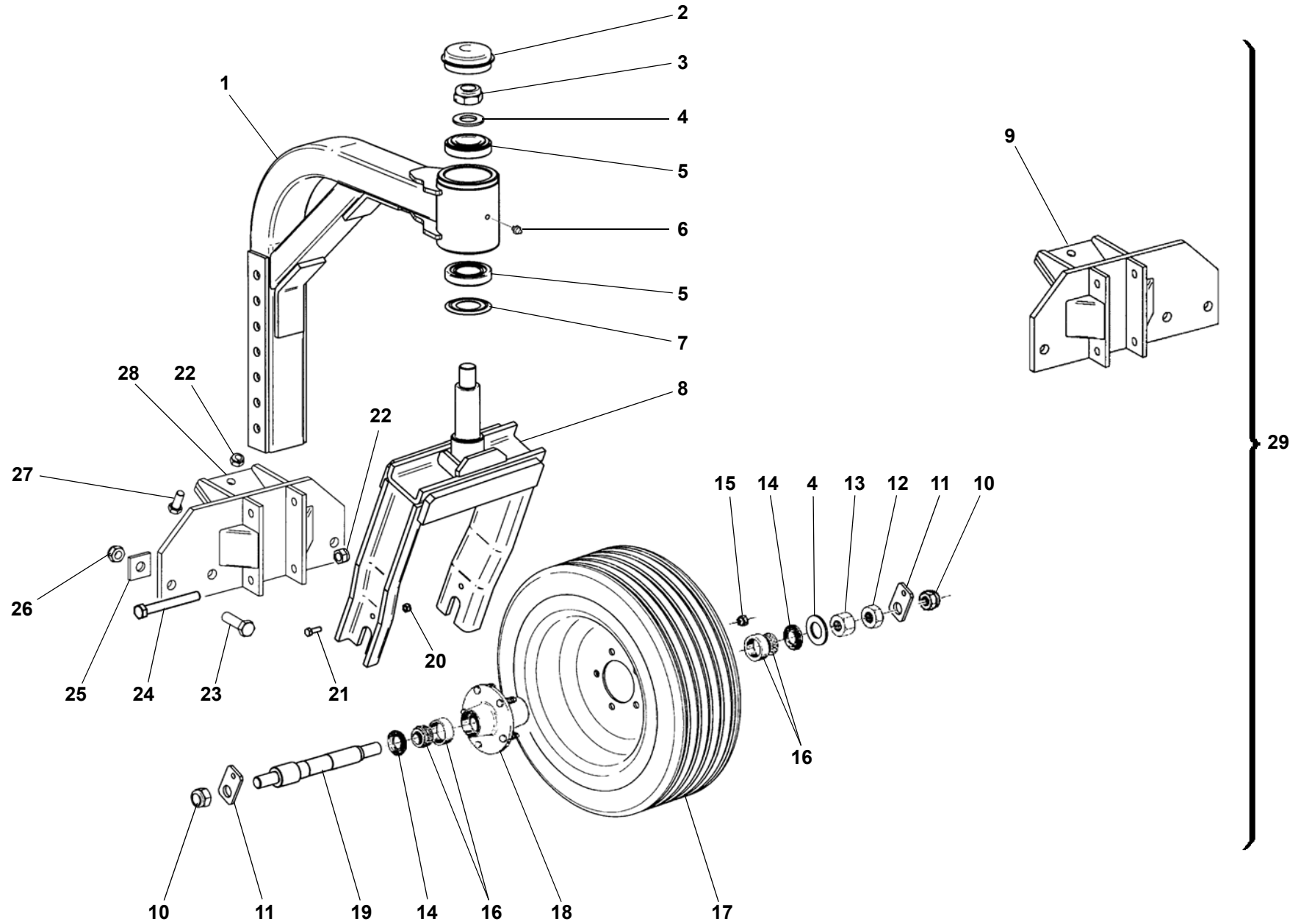
# TAV. 573/3

| RIF. | CODICE  | DESCRIZIONE     | N. |
|------|---------|-----------------|----|
| 1    | 3012661 |                 | 1  |
| 2    | 0003776 |                 | 1  |
| 3    | 1022430 | M30x2           | 1  |
| 4    | 1130000 | ø30 UNI6592     | 1  |
| 5    | 0001402 | 30209           | 4  |
| 6    | 0002654 | M10x1           | 1  |
| 7    | 0001822 | 45x85           | 1  |
| 8    | 3006169 |                 | 1  |
| 9    | 0003559 | 205/60-R14      | 1  |
| 10   | 0003707 |                 | 5  |
| 11   | 1021530 | M30x2 UNI5589   | 1  |
| 12   | 3008167 |                 | 2  |
| 13   | 1012422 | M22 UNI7474     | 2  |
| 14   | 1022530 | M30x2 UNI5588   | 1  |
| 15   | 1130000 | ø30 UNI6592     | 1  |
| 16   | 0001802 | 30x62           | 2  |
| 17   | 0003702 |                 | 1  |
| 18   | 3000153 |                 | 1  |
| 19   | 1012408 | M8 UNI7474      | 2  |
| 20   | 1110808 | M8x25 UNI5739   | 2  |
| 21   | 1012422 | M22 UNI7474     | 2  |
| 22   | 1012416 | M16 UNI7474     | 2  |
| 24   | 3012666 |                 | 1  |
| 25   | 1101658 | M16x160 UNI5737 | 2  |
| 26   | 3000564 |                 | 2  |
| 27   | 8279113 |                 | 2  |

| RIF. | CODICE | DESCRIZIONE | N. |
|------|--------|-------------|----|
|------|--------|-------------|----|

| RIF. | CODICE | DESCRIZIONE | N. |
|------|--------|-------------|----|
|------|--------|-------------|----|

# TAV. 573/4



**KP S**



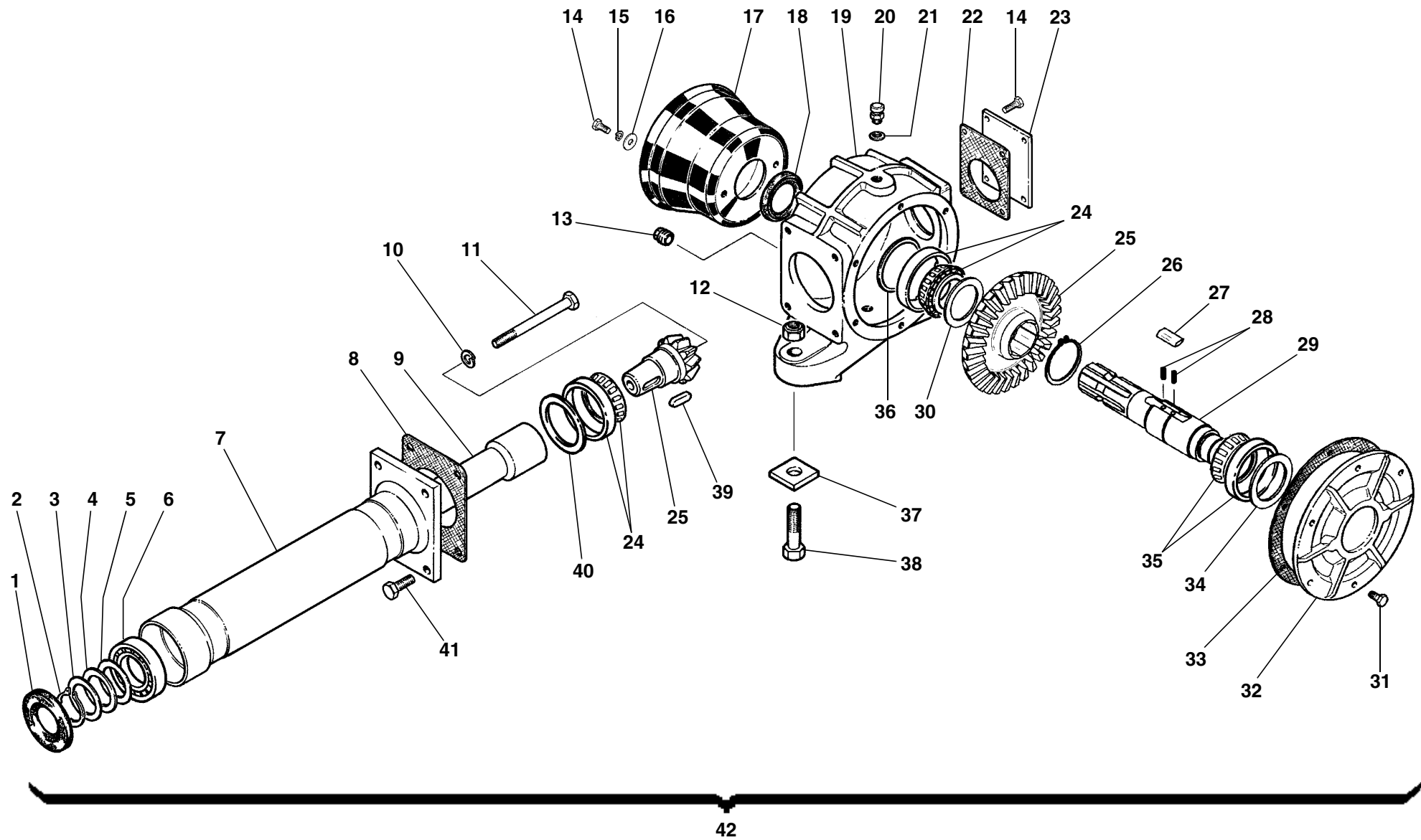
# TAV. 573/4

| RIF. | CODICE  | DESCRIZIONE     | N. |
|------|---------|-----------------|----|
| 1    | 3012661 |                 | 1  |
| 2    | 0003776 |                 | 1  |
| 3    | 1022430 | M30x2           | 1  |
| 4    | 1130000 | ø30 UNI6592     | 2  |
| 5    | 0001402 | 30209           | 2  |
| 6    | 0002654 | M10x1           | 1  |
| 7    | 0001822 | 45x85           | 1  |
| 8    | 3006169 |                 | 1  |
| 9    | 3012664 | Dx              | 1  |
| 10   | 1012422 | M22 UNI7474     | 2  |
| 11   | 3008167 |                 | 2  |
| 12   | 1021530 | M30x2 UNI5589   | 1  |
| 13   | 1022530 | M30x2 UNI5588   | 1  |
| 14   | 0001802 | 30x62           | 2  |
| 15   | 0003707 |                 | 5  |
| 16   | 0001403 | 30206           | 2  |
| 17   | 0003662 | 200/60-R14,5    | 1  |
| 18   | 0003702 |                 | 1  |
| 19   | 3000153 |                 | 1  |
| 20   | 1012408 | M8 UNI7474      | 2  |
| 21   | 1110808 | M8x25 UNI5739   | 2  |
| 22   | 1012416 | M16 UNI7474     | 3  |
| 23   | 1102026 | M20x70 UNI5737  | 3  |
| 24   | 1101658 | M16x160 UNI5737 | 2  |
| 25   | 3001028 |                 | 3  |
| 26   | 1012420 | M20 UNI7474     | 3  |

| RIF. | CODICE  | DESCRIZIONE    | N. |
|------|---------|----------------|----|
| 27   | 1111614 | M16x40 UNI5739 | 1  |
| 28   | 3012665 | Sx             | 1  |
| 29   | 8869214 | Dx             | 2  |
|      | 8869215 | Sx             | 2  |

| RIF. | CODICE | DESCRIZIONE | N. |
|------|--------|-------------|----|
|------|--------|-------------|----|

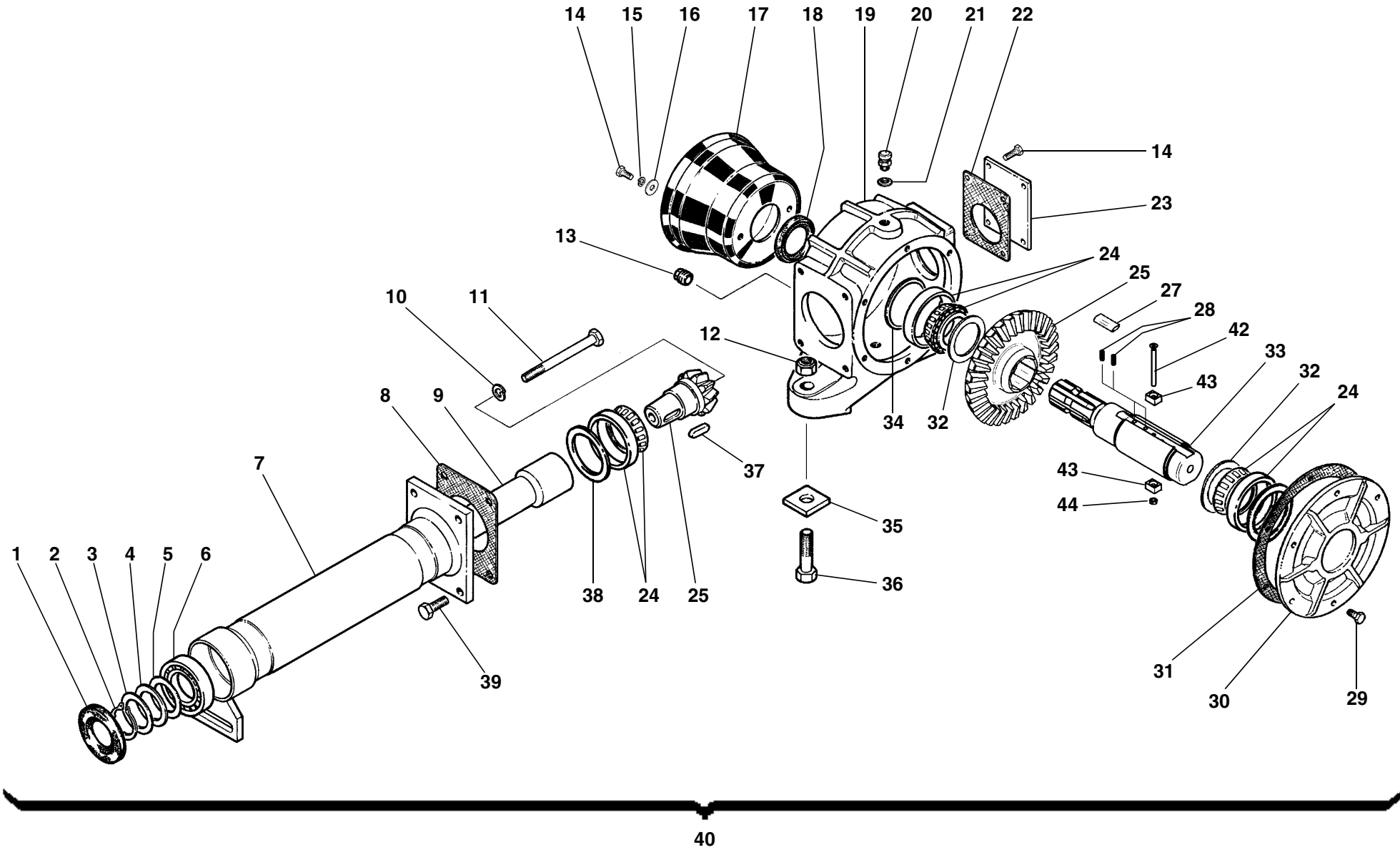
# TAV. 574



**KP 850-1000-1250**



TAV. 576



**KP 1500/3200S**

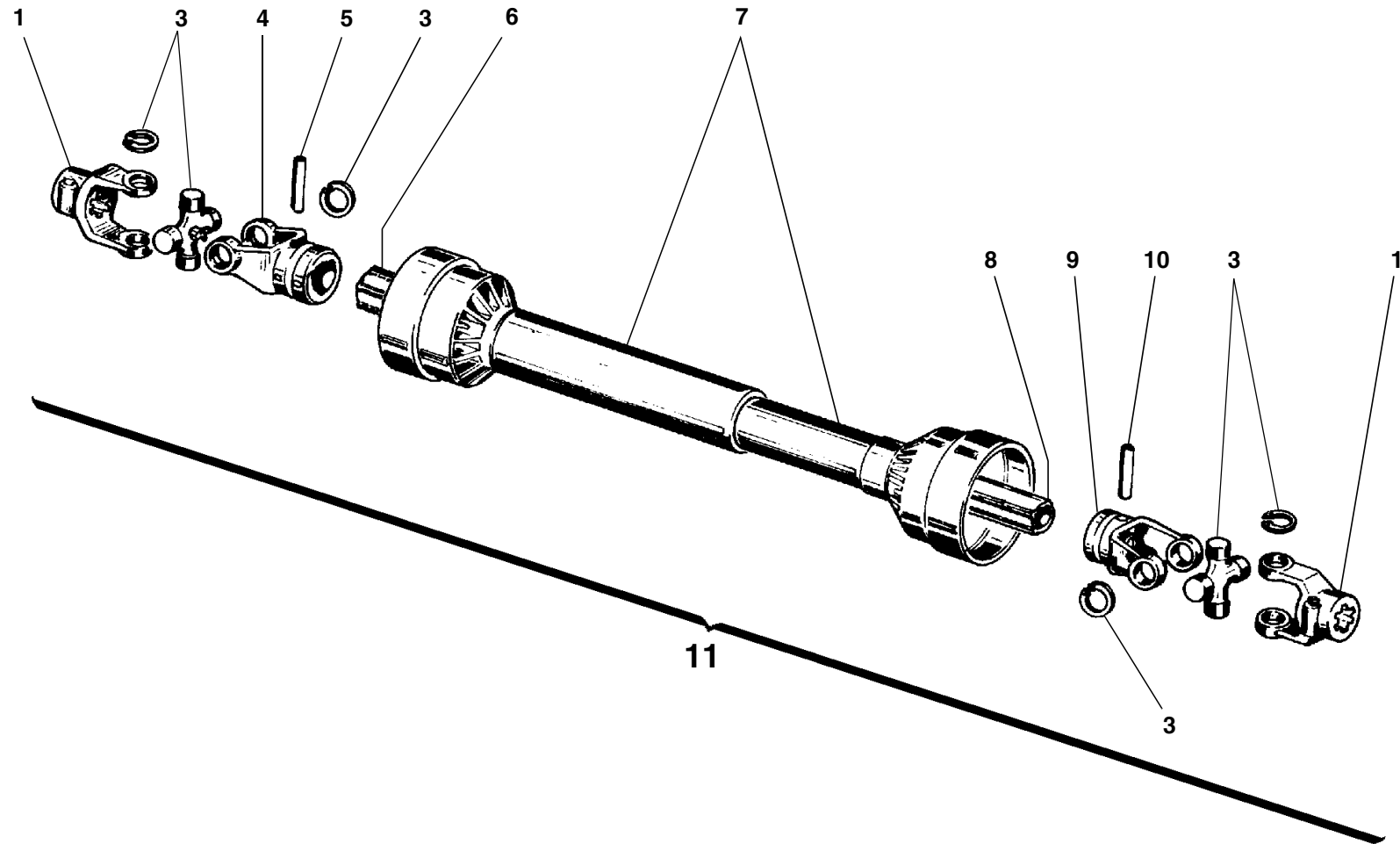
# TAV. 576

| RIF. | CODICE  | DESCRIZIONE             | N. |
|------|---------|-------------------------|----|
| 1    | 0001800 | 45x85x10                | 1  |
| 2    | 1010045 | Seeger E45 UNI7435      | 1  |
| 3    | 3002681 | 45,2x55x2               | —  |
| 4    | 3001949 | 46x61x0,5               | —  |
| 5    | 3004422 | 46x61x0,25              | —  |
| 6    | 0001475 | 6209                    | 1  |
| 7    | 3000002 | KP 1500/2000            | 1  |
|      | 3000003 | KP 2250                 | 1  |
|      | 3000004 | KP 2400 - 2600 - 2600 S | 1  |
|      | 3002399 | KP 2800 S               | 1  |
|      | 3000005 | KP 3000 S               | 1  |
|      | 3001418 | KP 3200 S               | 1  |
| 8    | 3000108 |                         | —  |
| 9    | 3000006 | KP 1500/2000            | 1  |
|      | 3000007 | KP 2250                 | 1  |
|      | 3000008 | KP 2400 - 2600 - 2600 S | 1  |
|      | 3002521 | KP 2800 S               | 1  |
|      | 3000140 | KP 3000 S               | 1  |
|      | 3001419 | KP 3200 S               | 1  |
| 10   | 1212000 | ø12 UNI1751             | 1  |
| 11   | 1101254 | M12x140 UNI5737         | 1  |
| 12   | 1012418 | M18 UNI7474             | 2  |
| 13   | 0002663 | M18x1,5                 | 2  |
| 14   | 1110804 | M8x16 UNI5739           | 6  |
| 15   | 1208000 | ø8 UNI1751              | 2  |
| 16   | 1309243 | ø8x24x3 UNI6593         | 2  |
| 17   | 0003424 |                         | 1  |

| RIF. | CODICE  | DESCRIZIONE                 | N. |
|------|---------|-----------------------------|----|
| 18   | 0001801 | 45x65x10                    | 1  |
| 19   | 3000001 |                             | 1  |
| 20   | 0002679 | M18x1,5                     | 1  |
| 21   | 0002024 | 18x24x1,5                   | 1  |
| 22   | 3000204 |                             | 1  |
| 23   | 3000095 |                             | 1  |
| 24   | 0001402 | 30209                       | 3  |
| 25   | 3006826 | KP 1500/2000 (540-1000 rpm) | 1  |
|      | 3006826 | KP 2250/3200 S (540 rpm)    | 1  |
|      | 3008099 | KP 2250/3200 S (1000 rpm)   | 1  |
| 27   | 3006959 |                             | 2  |
| 28   | 0006142 |                             | 4  |
| 29   | 1110808 | M8x25 UNI5739               | 6  |
| 30   | 3000000 |                             | 1  |
| 31   | 3000206 |                             | —  |
| 32   | 0001503 | 47x65x4                     | 2  |
| 33   | 3006740 |                             | 1  |
| 34   | 3004481 | 73,5x84x0,15                | —  |
|      | 3004480 | 73,5x84x0,4                 | —  |
|      | 3001040 | 73,5x84x0,5                 | —  |
|      | 3004458 | 75,2x84x0,25                | —  |
| 35   | 3001028 |                             | 2  |
| 36   | 1101828 | M18x75 UNI5737              | 2  |
| 37   | 1552073 | 10x8x35 UNI6604             | 1  |
| 38   | 3001040 | 73,5x84x0,5                 | —  |
| 39   | 1111212 | M12x35 UNI5739              | 4  |
| 40   | 3006810 | KP 1500/2000 (540-1000 rpm) | 1  |

| RIF. | CODICE   | DESCRIZIONE                    | N. |
|------|----------|--------------------------------|----|
|      | 3007209  | KP 2250 (540 rpm)              | 1  |
|      | 3007835  | KP 2250 (1000 rpm)             | 1  |
|      | 3007210  | KP 2400-2600-2600 S (540 rpm)  | 1  |
|      | 3008182  | KP 2400-2600-2600 S (1000 rpm) | 1  |
|      | 3007368  | KP 2800 S (540 rpm)            | 1  |
|      | 3008957  | KP 2800 S (1000 rpm)           | 1  |
|      | 3007278  | KP 3000 S (540 rpm)            | 1  |
|      | 3008253  | KP 3000 S (1000 rpm)           | 1  |
|      | 3007311  | KP 3200 S (540 rpm)            | 1  |
|      | 3007977  | KP 3200 S (1000 rpm)           | 1  |
| 42   | 11205222 | M5x60 UNI5931 12.9             | 1  |
| 43   | 3009283  |                                | 2  |
| 44   | 1012405  | M5 UNI7474                     | 1  |

# TAV. 577



# TAV. 577

| RIF. | CODICE  | DESCRIZIONE      | N. |
|------|---------|------------------|----|
| 1    | 0003122 | KP 850/1250      | 2  |
|      | 0003118 | KP 1500-1750     | 2  |
|      | 0003100 | KP 2000/2600     | 2  |
|      | 0003135 | KP 2600 S/3200 S | 2  |
| 3    | 0003125 | KP 850/1250      | 2  |
|      | 0003119 | KP 1500-1750     | 2  |
|      | 0003104 | KP 2000/2600     | 2  |
|      | 0003137 | KP 2600 S/3200 S | 2  |
| 4    | 0003126 | KP 850/1250      | 1  |
|      | 0003120 | KP 1500-1750     | 1  |
|      | 0003106 | KP 2000/2600     | 1  |
|      | 0003138 | KP 2600 S/3200 S | 1  |
| 5    | 0003215 | KP 850/1250      | 1  |
|      | 0003212 | KP 1500-1750     | 1  |
|      | 0003202 | KP 2000/2600     | 1  |
|      | 0003224 | KP 2600 S/3200 S | 1  |
| 6    | 0003216 | KP 850/1250      | 1  |
|      | 0003213 | KP 1500-1750     | 1  |
|      | 0003200 | KP 2000/2600     | 1  |
|      | 0003242 | KP 2600 S/3200 S | 1  |
| 7    | 0003417 | KP 850/1250      | 1  |
|      | 0003416 | KP 1500-1750     | 1  |
|      | 0003408 | KP 2000/2600     | 1  |
|      | 0003419 | KP 2600 S/3200 S | 1  |
| 8    | 0003218 | KP 850/1250      | 1  |
|      | 0003217 | KP 1500-1750     | 1  |

| RIF. | CODICE  | DESCRIZIONE      | N. |
|------|---------|------------------|----|
| 9    | 0003203 | KP 2000/2600     | 1  |
|      | 0003243 | KP 2600 S/3200 S | 1  |
|      | 0003127 | KP 850/1250      | 1  |
|      | 0003121 | KP 1500-1750     | 1  |
|      | 0003108 | KP 2000/2600     | 1  |
|      | 0003139 | KP 2600 S/3200 S | 1  |
|      | 0003219 | KP 850/1250      | 1  |
|      | 0003214 | KP 1500-1750     | 1  |
| 10   | 0003205 | KP 2000/2600     | 1  |
|      | 0003227 | KP 2600 S/3200 S | 1  |
|      | 0003008 | KP 850/1250      | 1  |
|      | 0003004 | KP 1500-1750     | 1  |
| 11   | 0003000 | KP 2000/2600     | 1  |
|      | 0003010 | KP 2600 S/3200 S | 1  |

| RIF. | CODICE | DESCRIZIONE | N. |
|------|--------|-------------|----|
|      |        |             |    |

