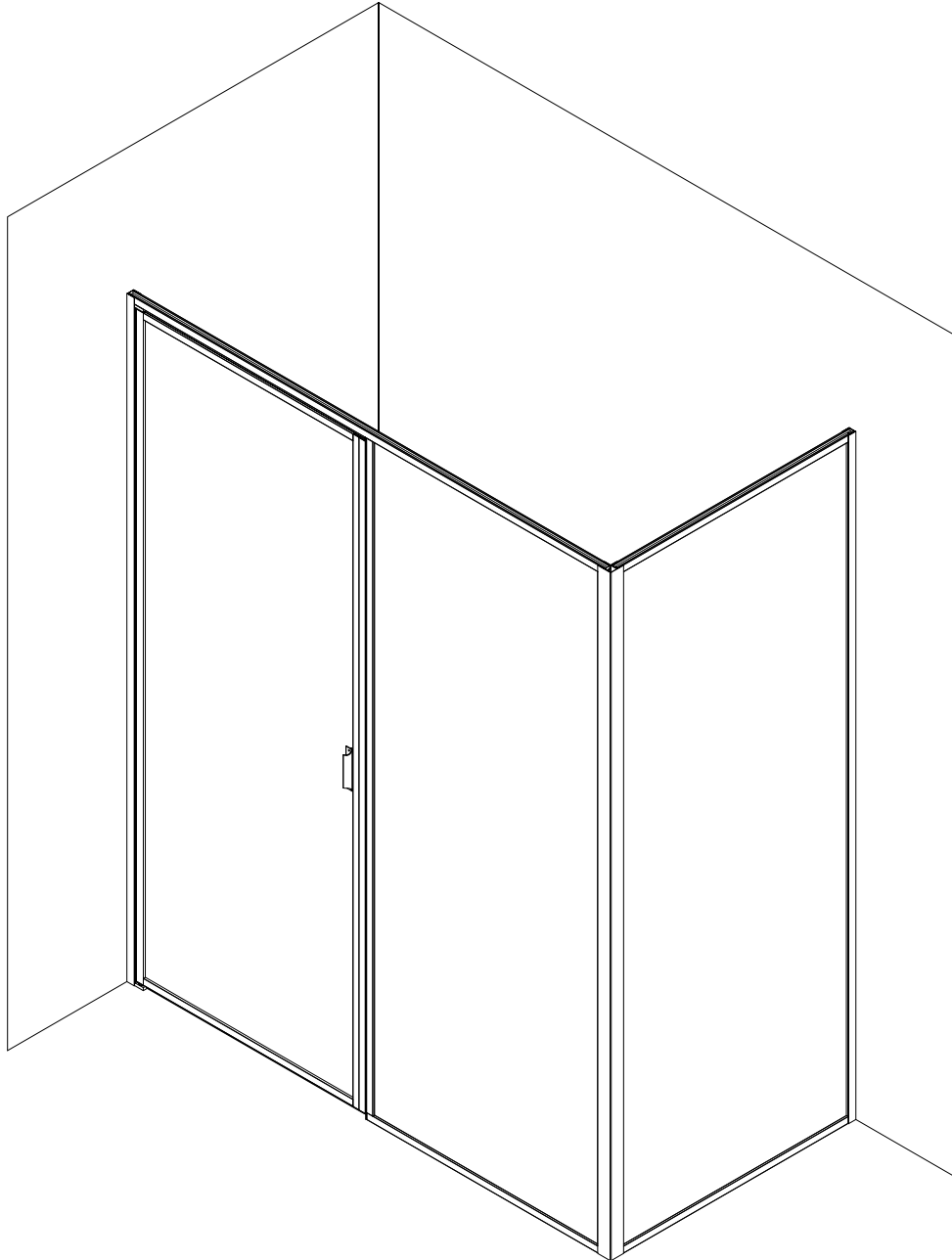
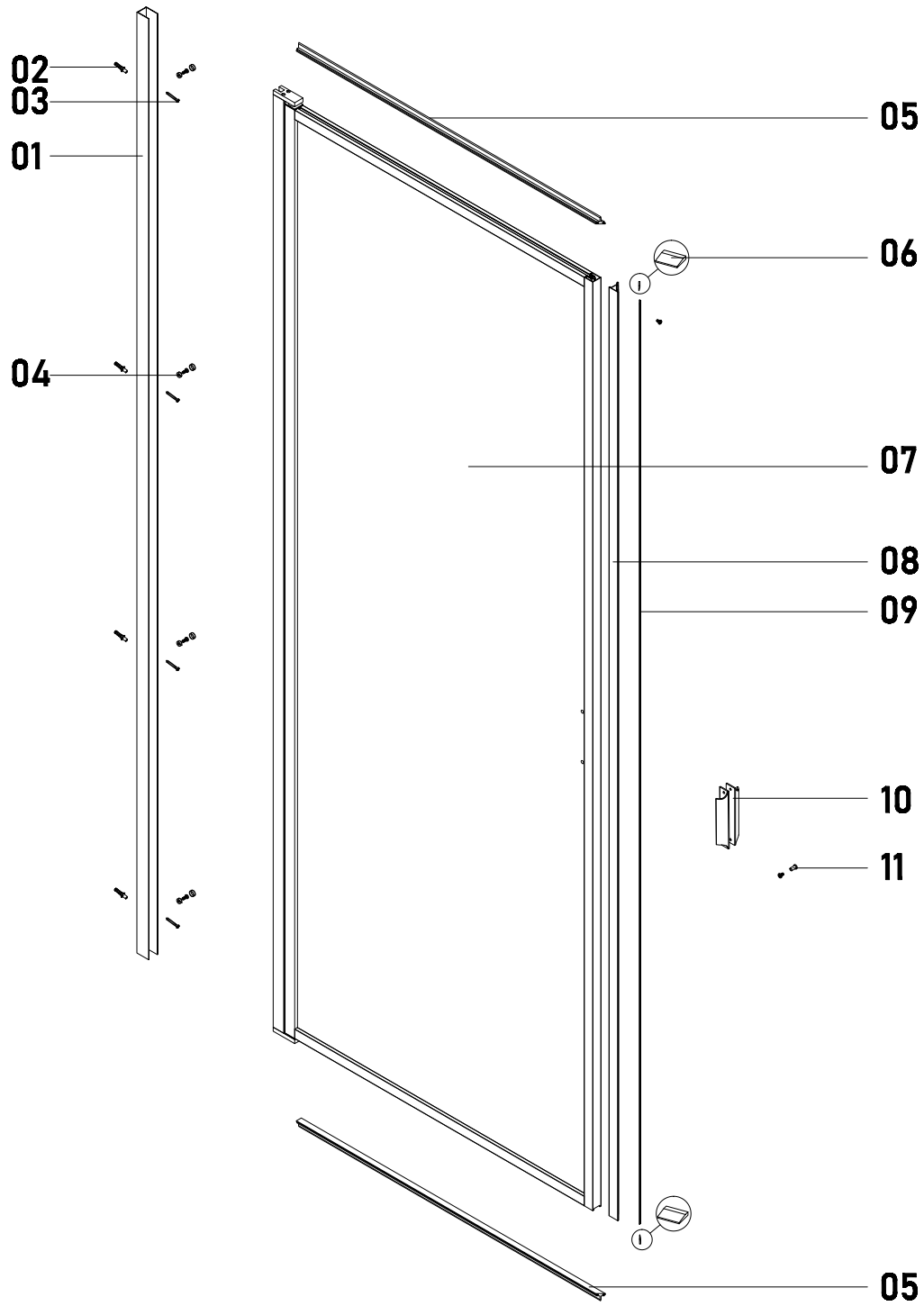
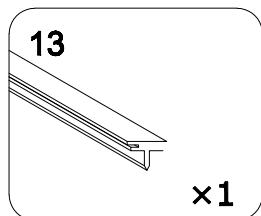
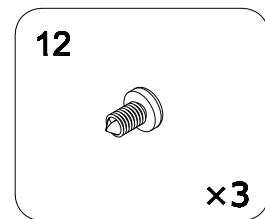
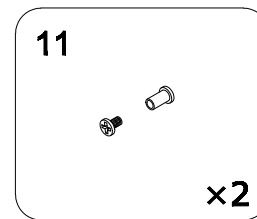
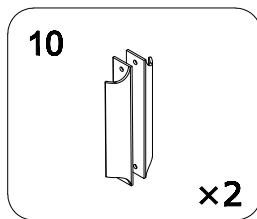
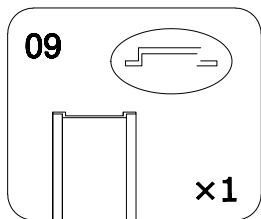
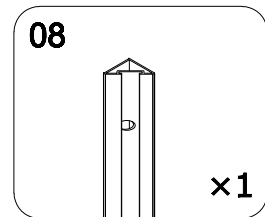
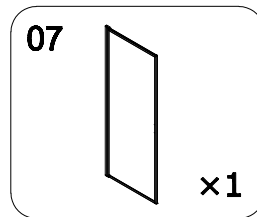
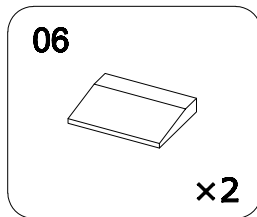
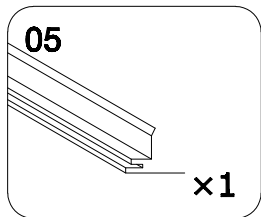
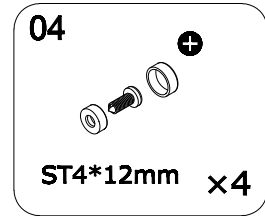
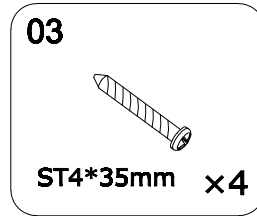
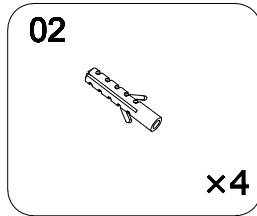
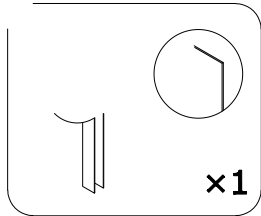


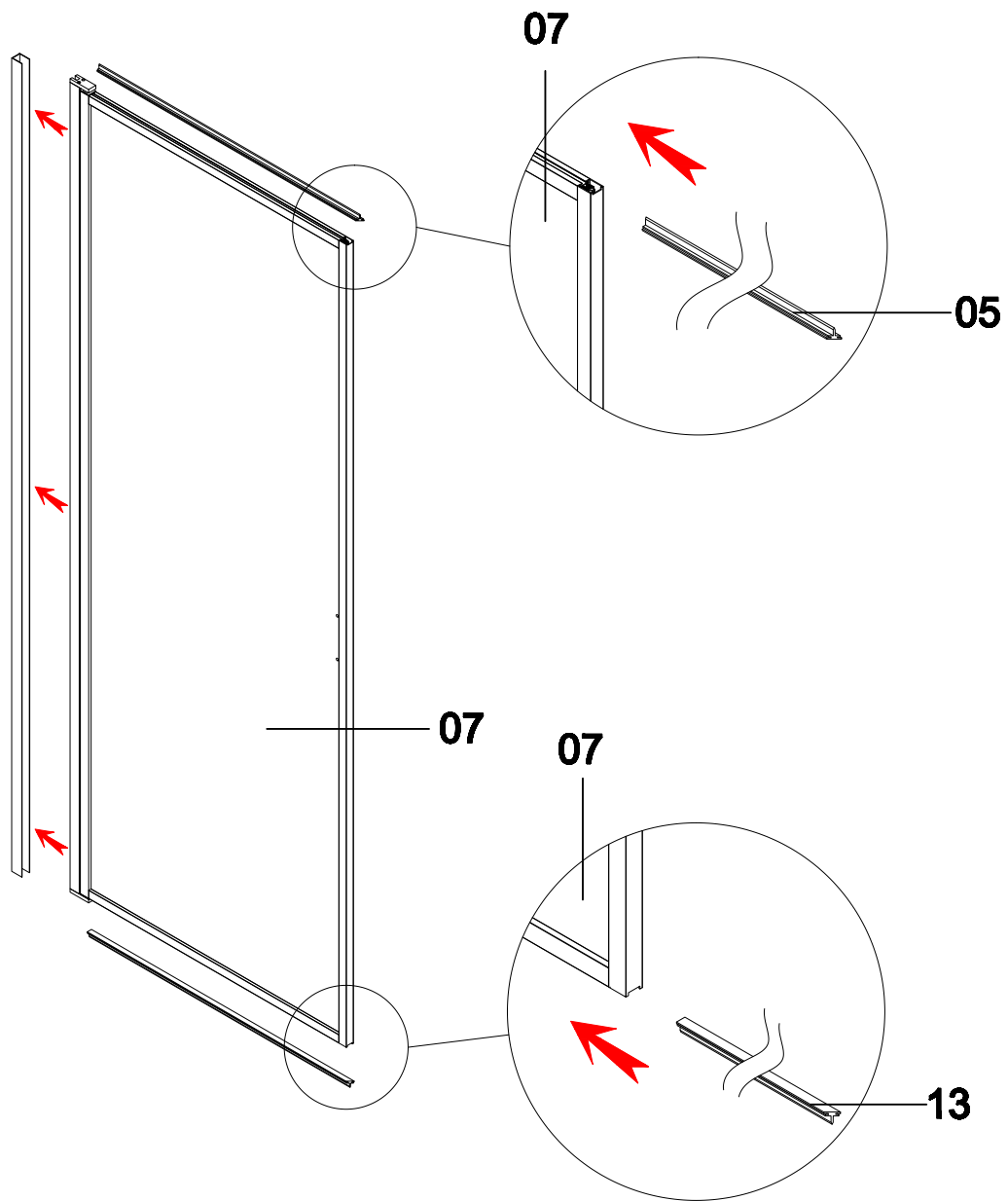
Door+Wall+Corner wall

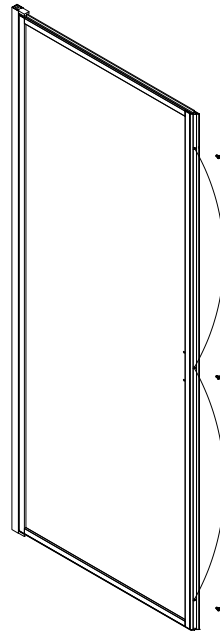
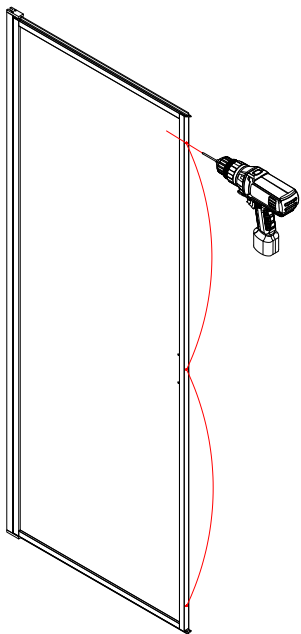
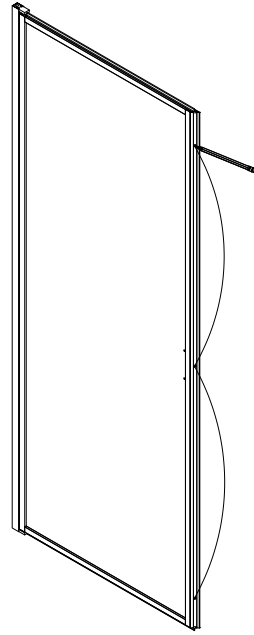
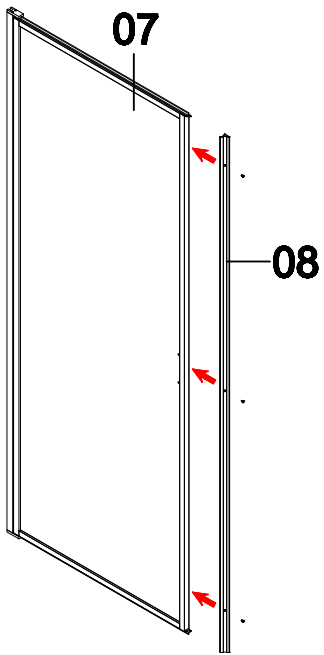


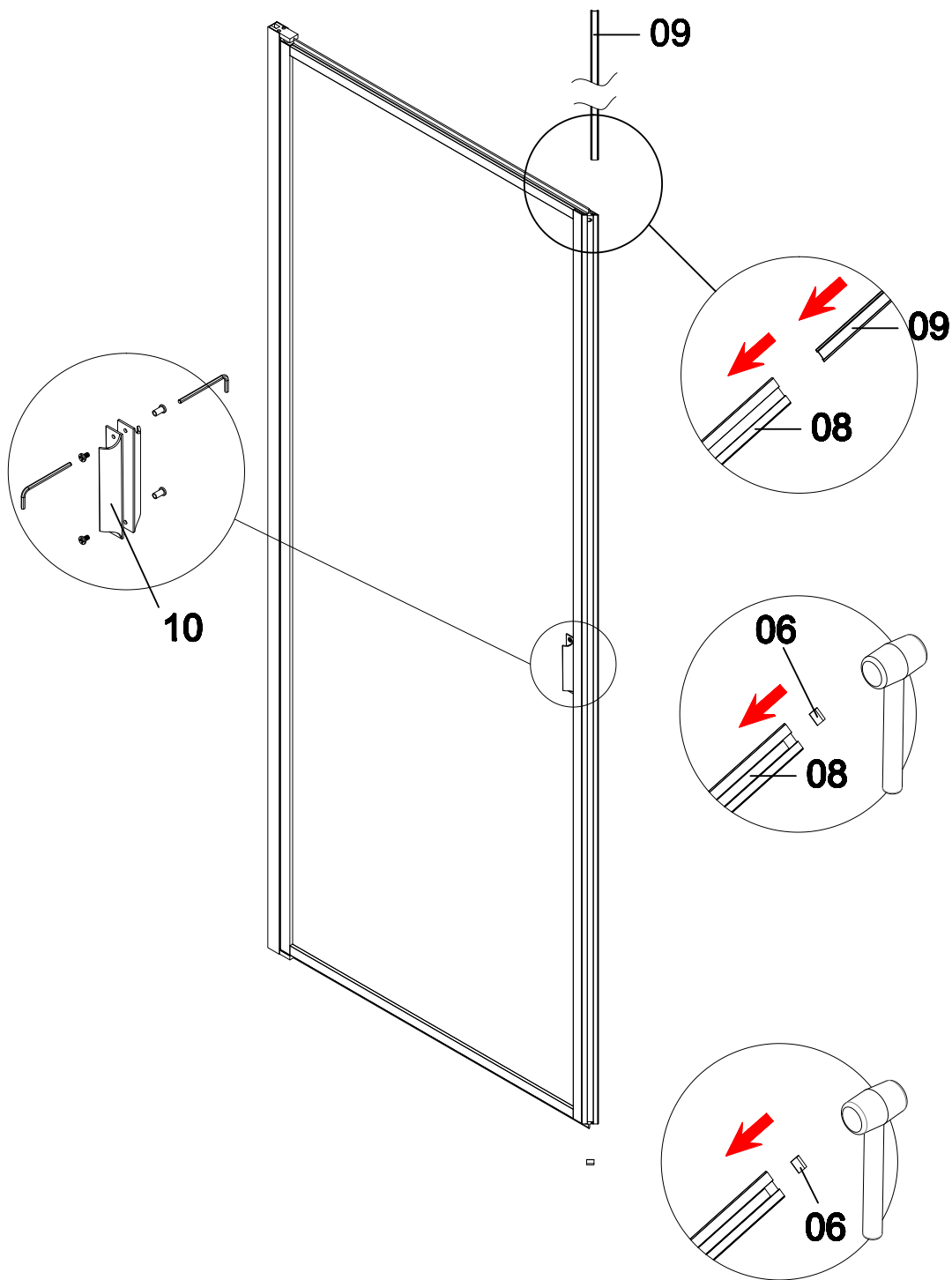


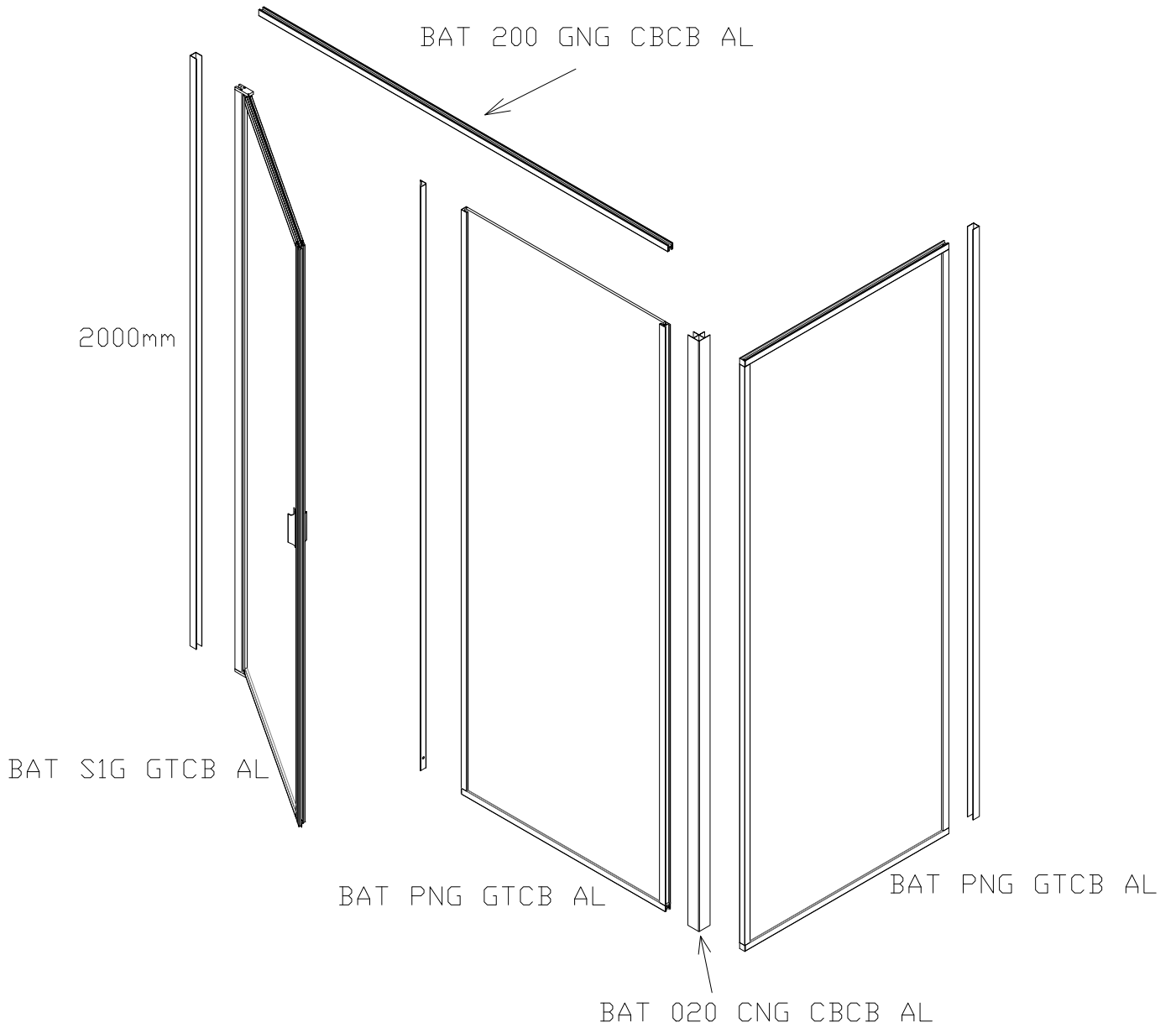
INSTALLATION ACCESSORIES LIST

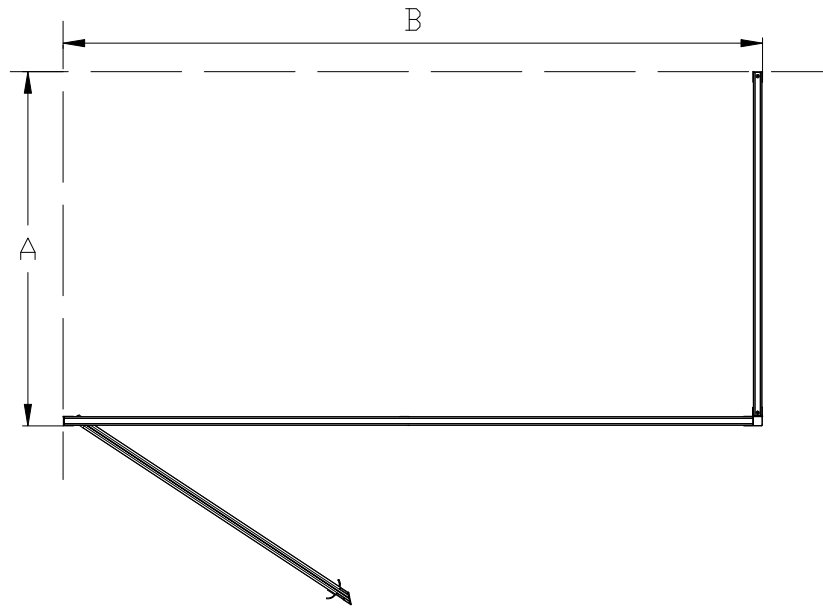






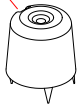
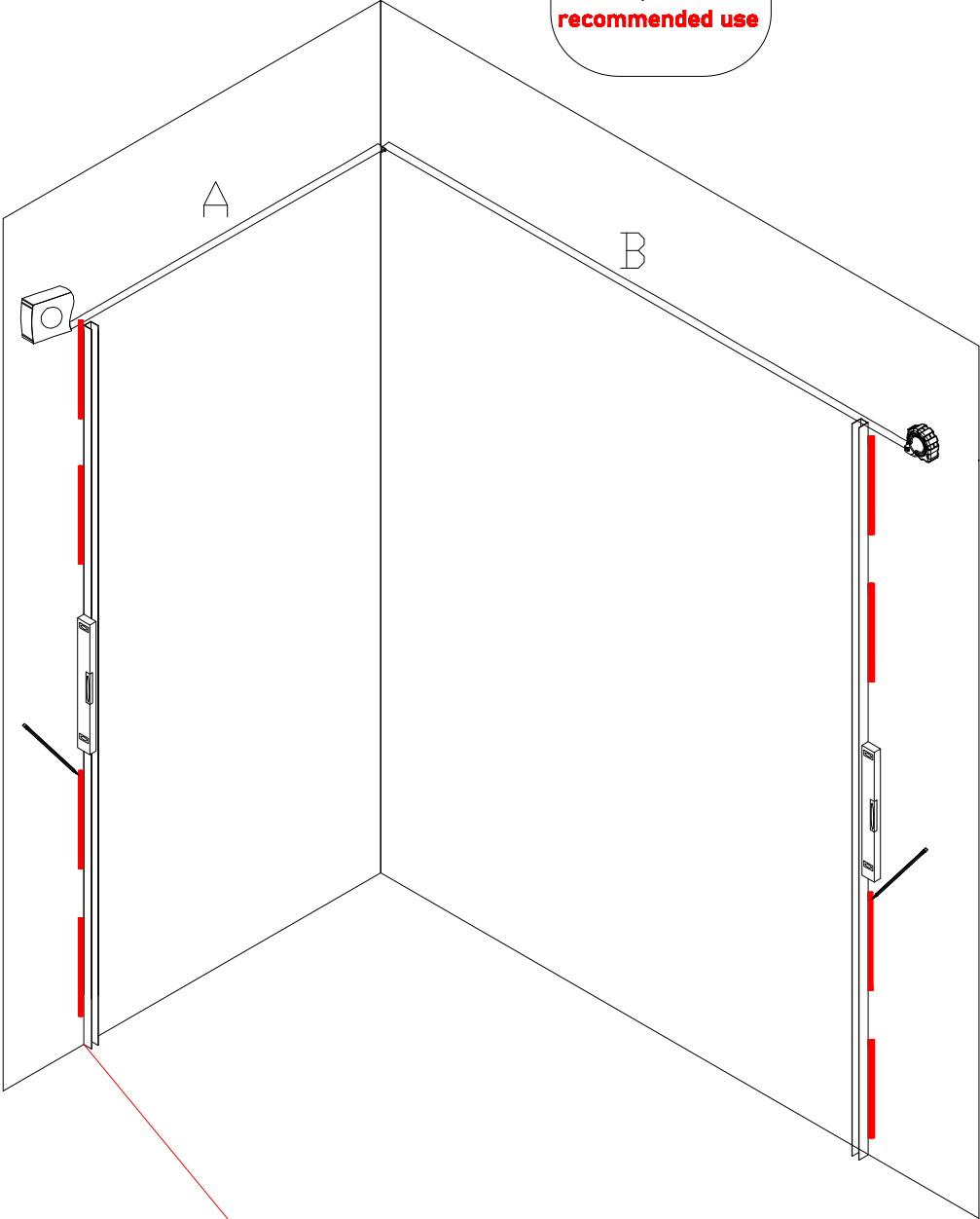




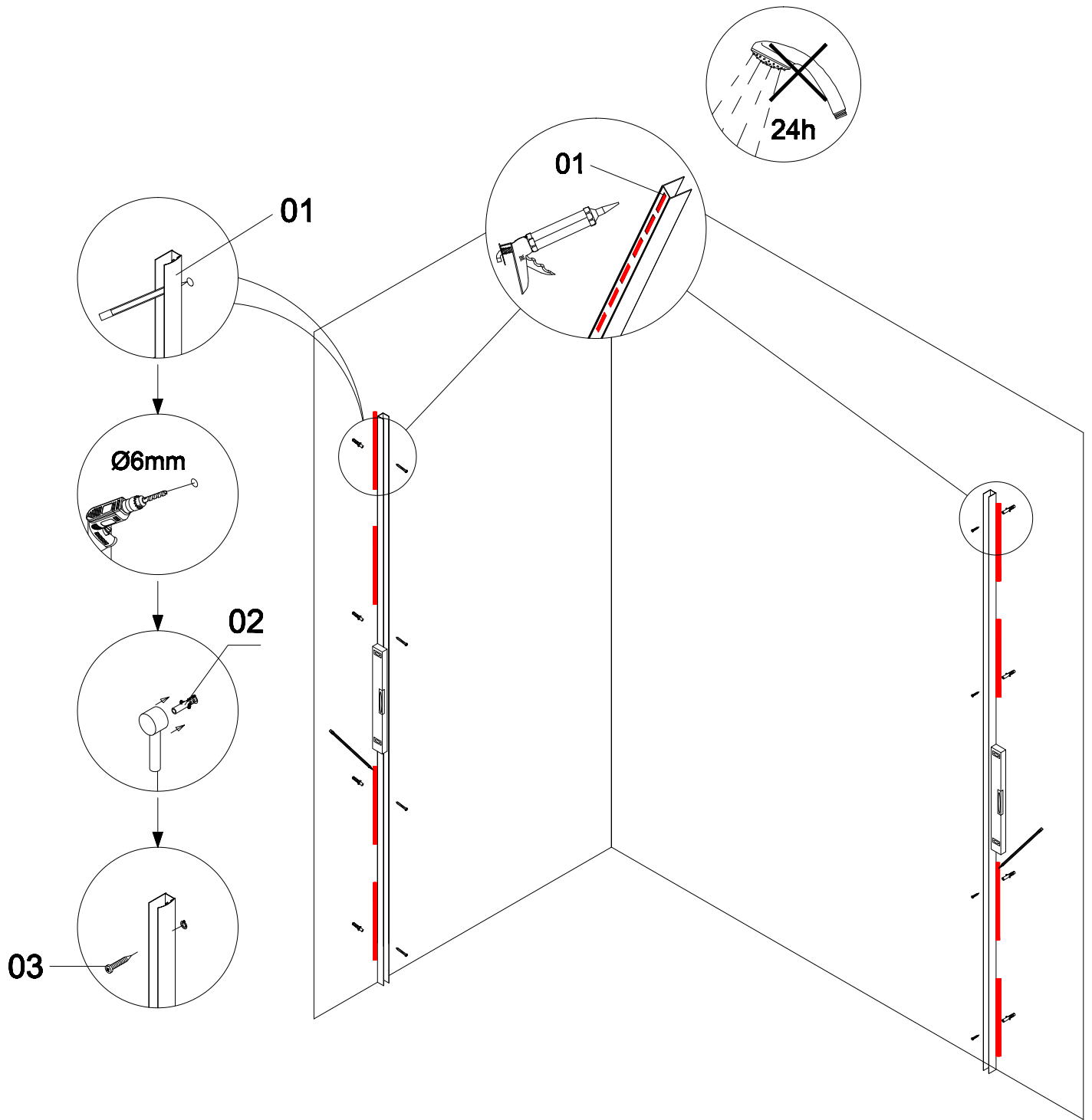


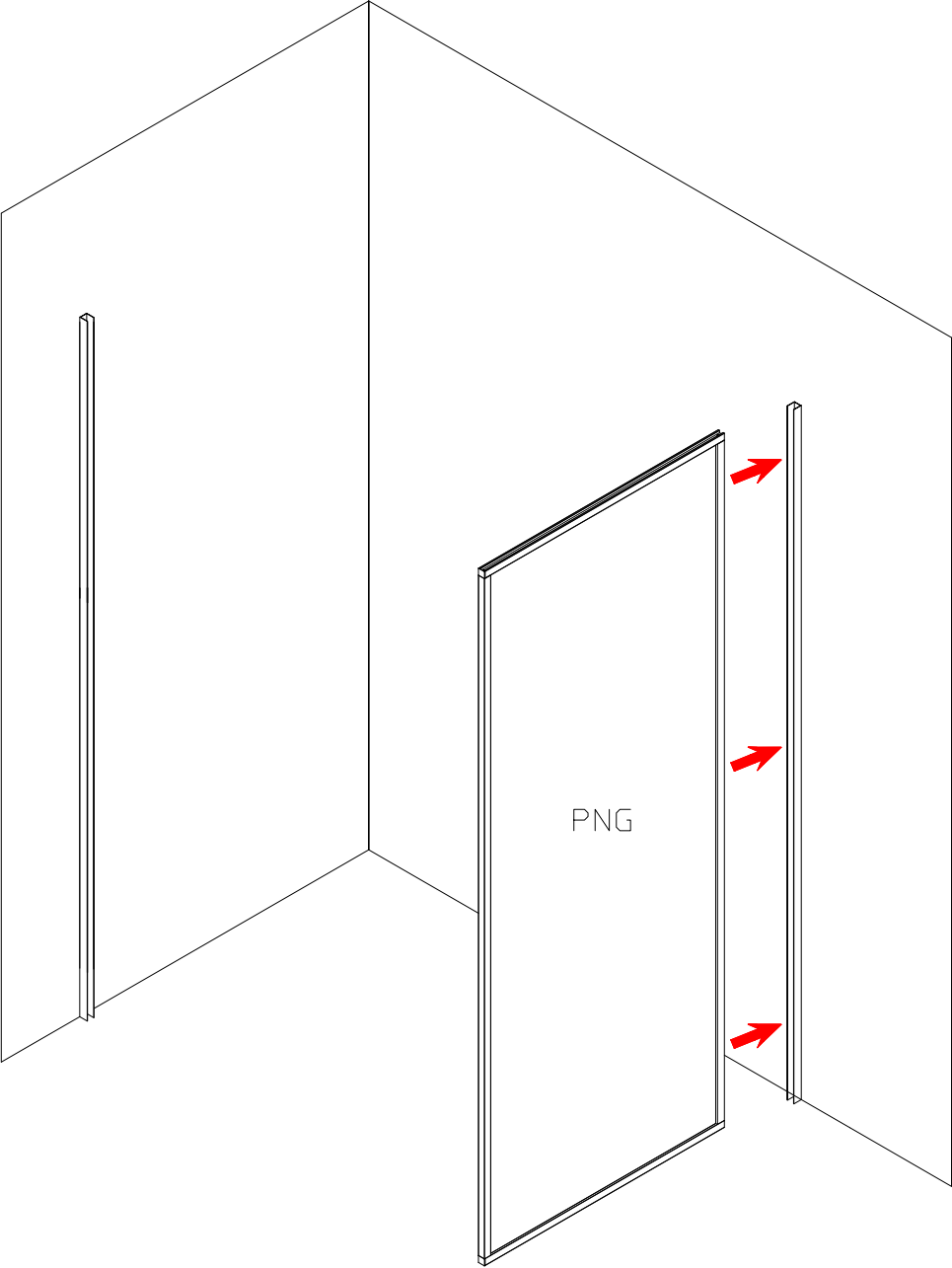
$A = \text{WALL SIZE} + (23 - 24\text{mm})$

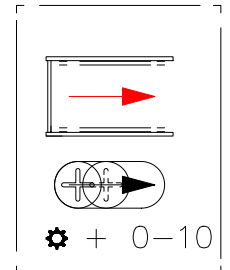
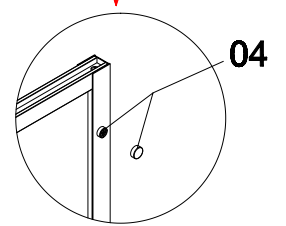
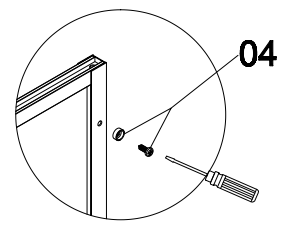
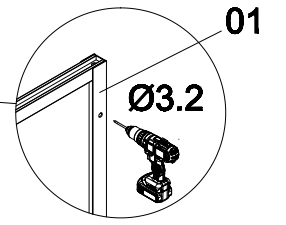
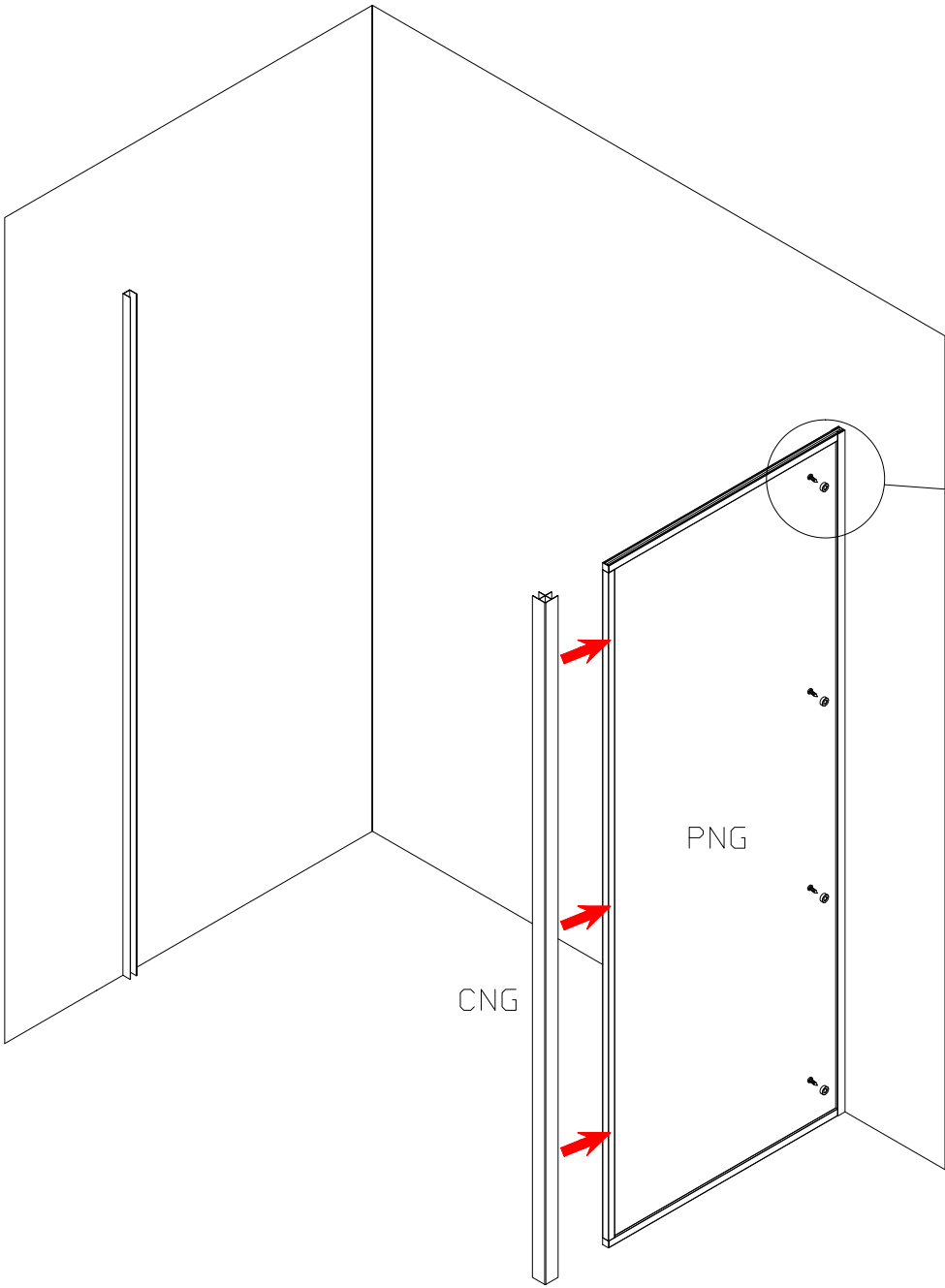
$B = \text{WALL SIZE} + \text{DOOR SIZE} + (24 - 25\text{mm})$

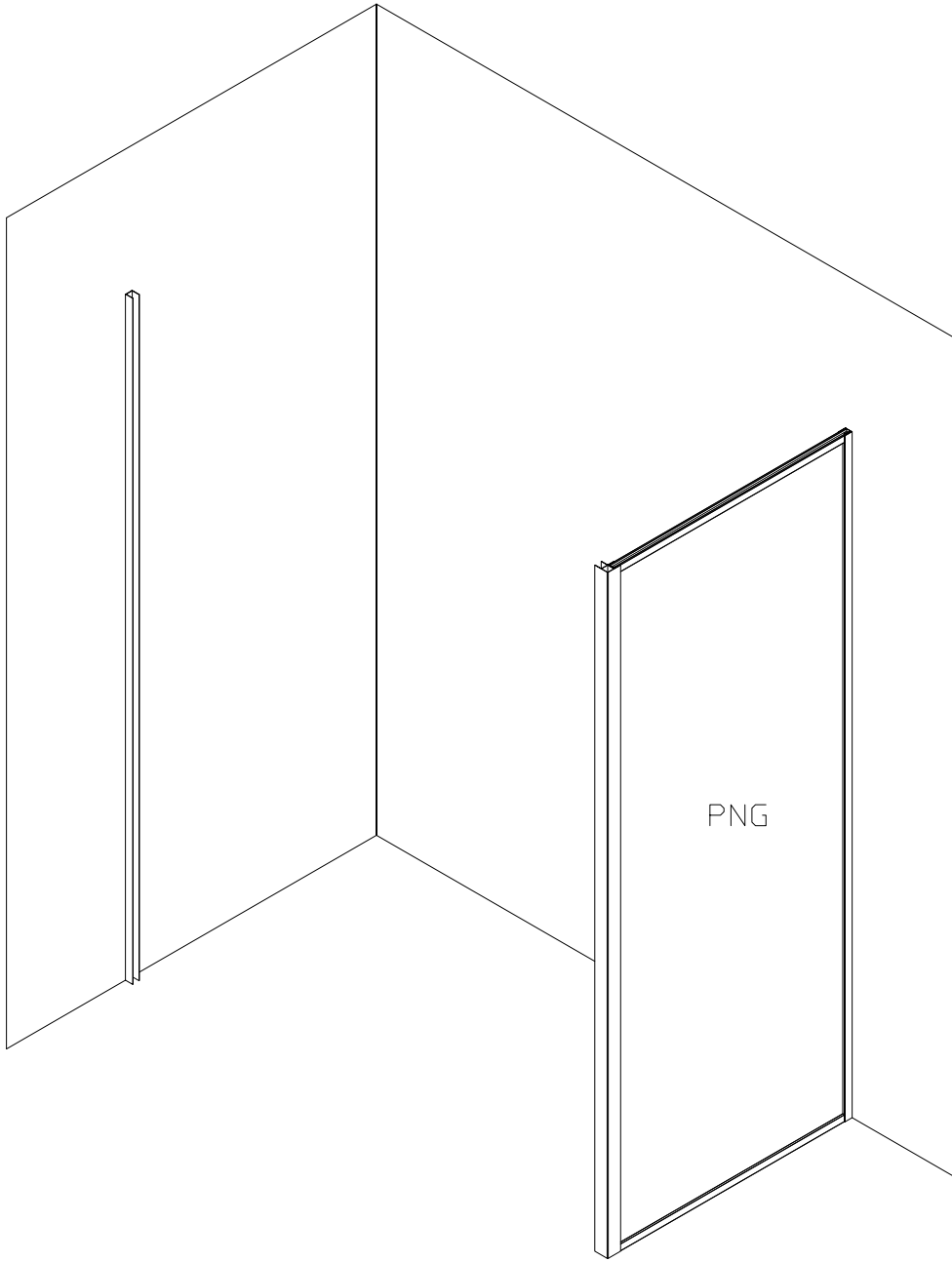


A/B=size page

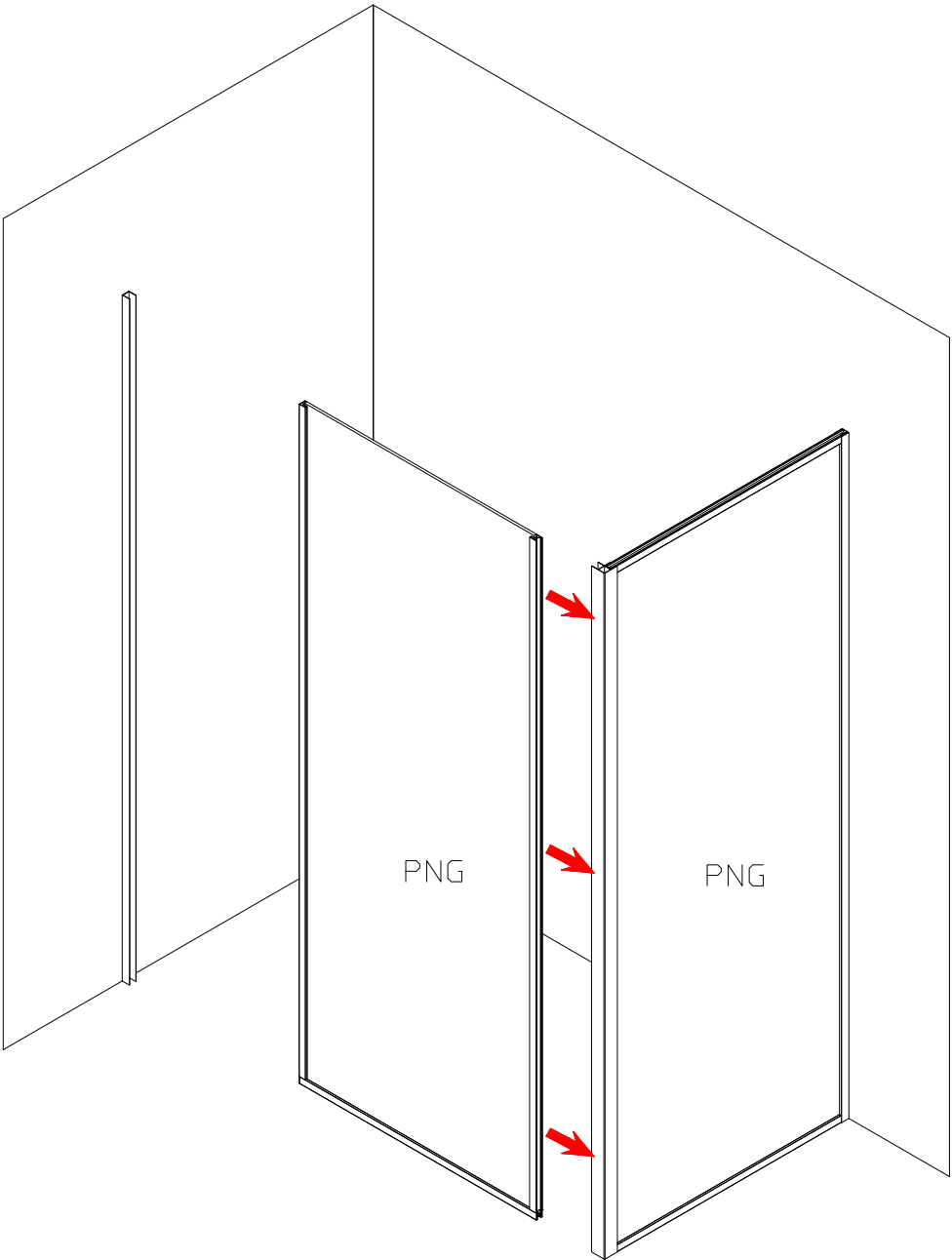


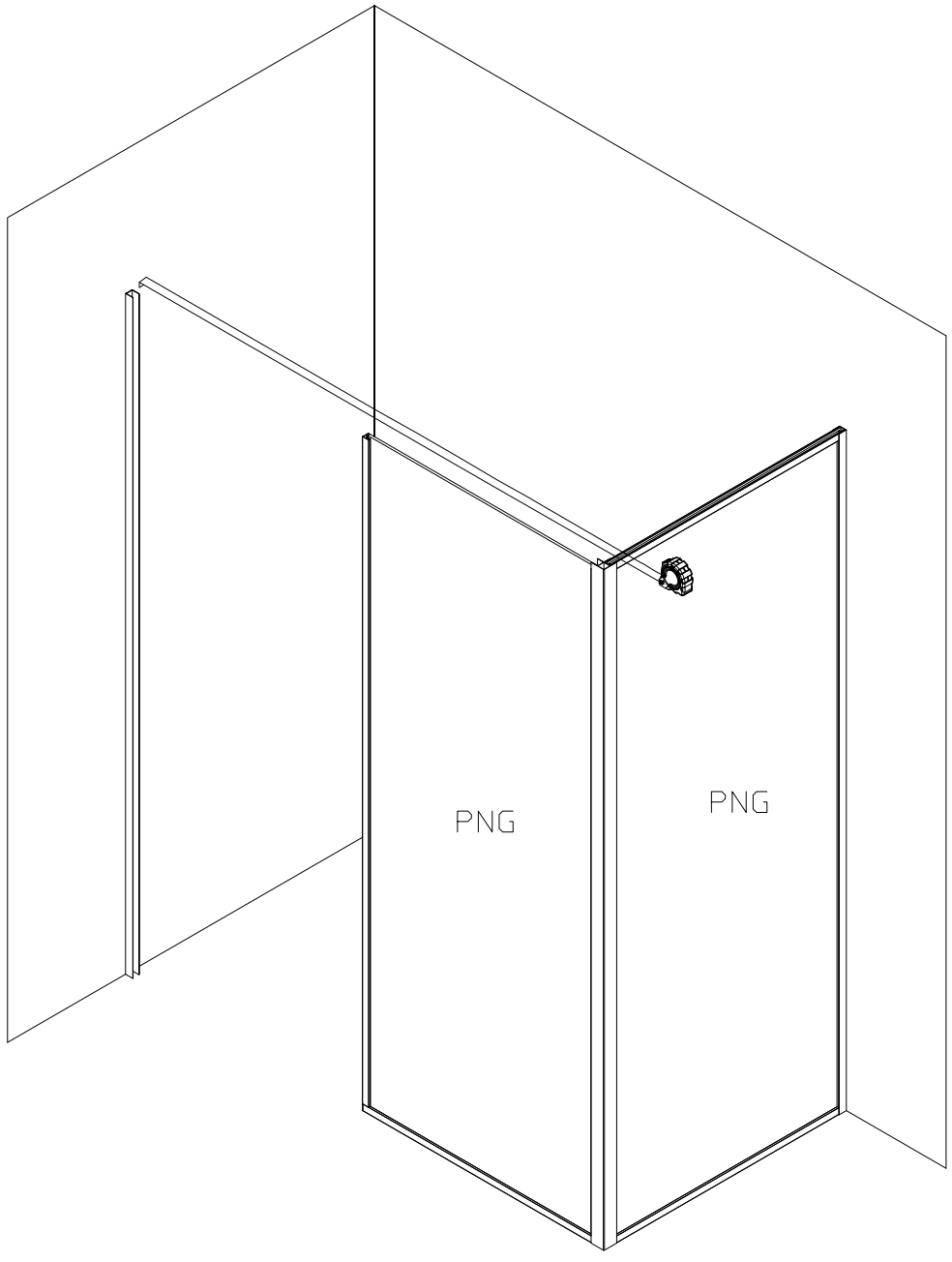






PNG





PNG

PNG

