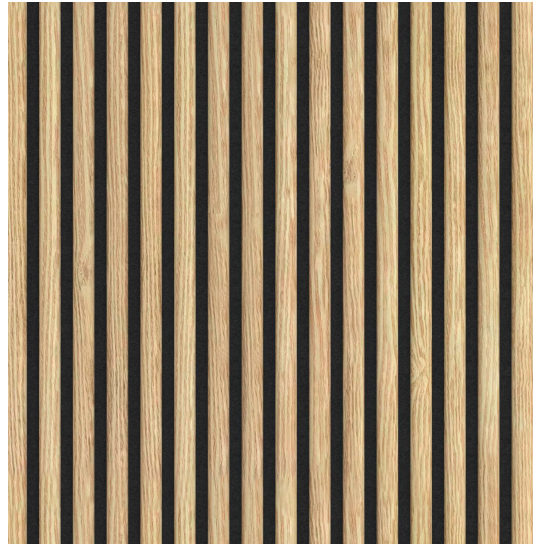


# AKUSTIK



# NOOLI

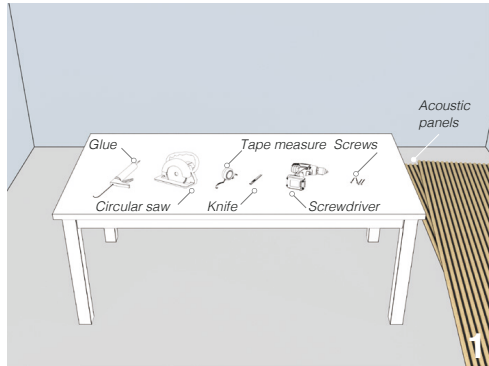
---

LIVING WITH GRACE

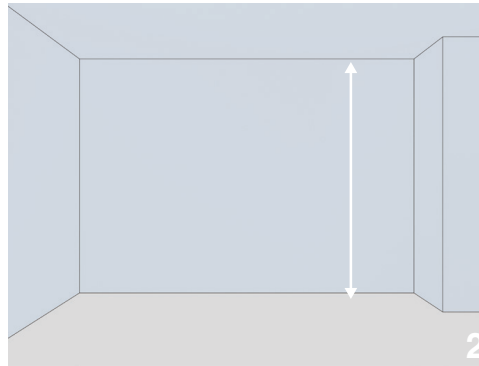
© Copyright ©2021 Borett Webbutik AB. Original content rights reserved. All product names, logos, and brands are property of their respective owners.

! Information contained within this document was considered accurate at the time of publication, but may be subject to revision.

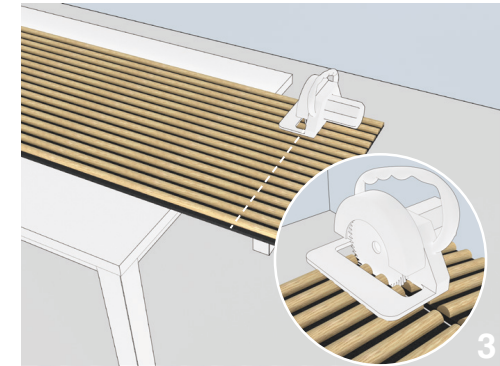
# Installation



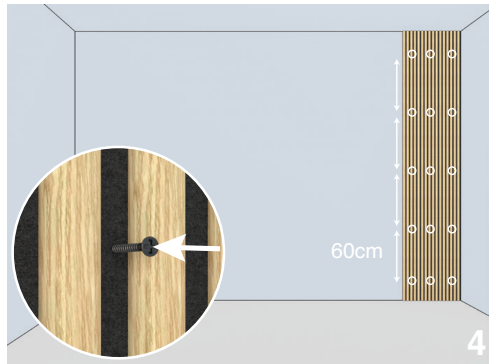
Step 1: Prepare all the tools and materials you need.



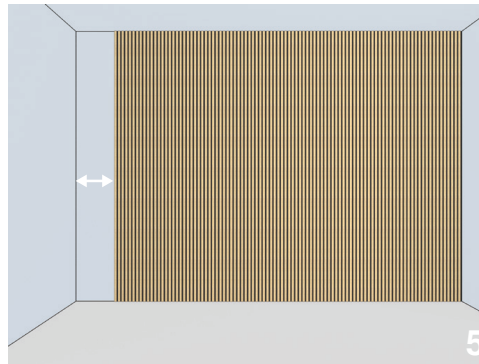
Step 2: Measure the height of the wall.



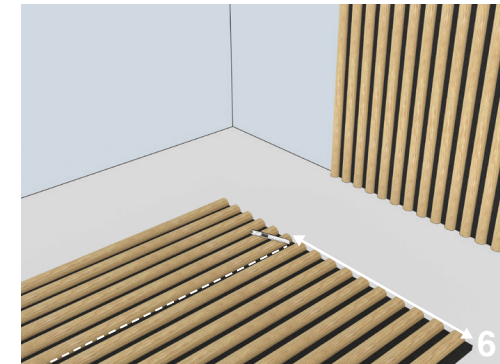
Step 3: Cut the acoustic panel according to the height of the wall.



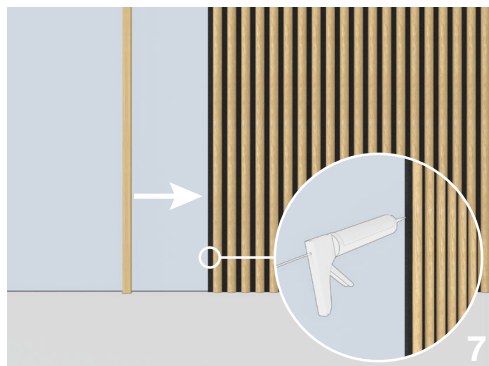
Step 4: Place the acoustic panel on the wall and nail it.



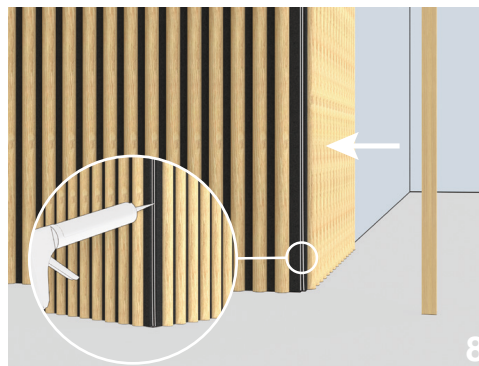
Step 5: Install in turn. Measure the remaining width.



Step 6: Cut the acoustic panel into the remaining width.



Step 7: Use an edge strip at the edge. Glue the edge of the acoustic panel and stick the edge strip firmly at the gluing place.



Step 8: When dealing with external corner, Use an edge strip too.



Step 9: Complete the installation.

# NOOLI

---

LIVING WITH GRACE

© Copyright ©2021 Borett Webbutik AB.  
Original content rights reserved. All  
product names, logos, and brands are  
property of their respective owners.

! Information contained within this  
document was considered accurate at  
the time of publication, but may be  
subject to revision.