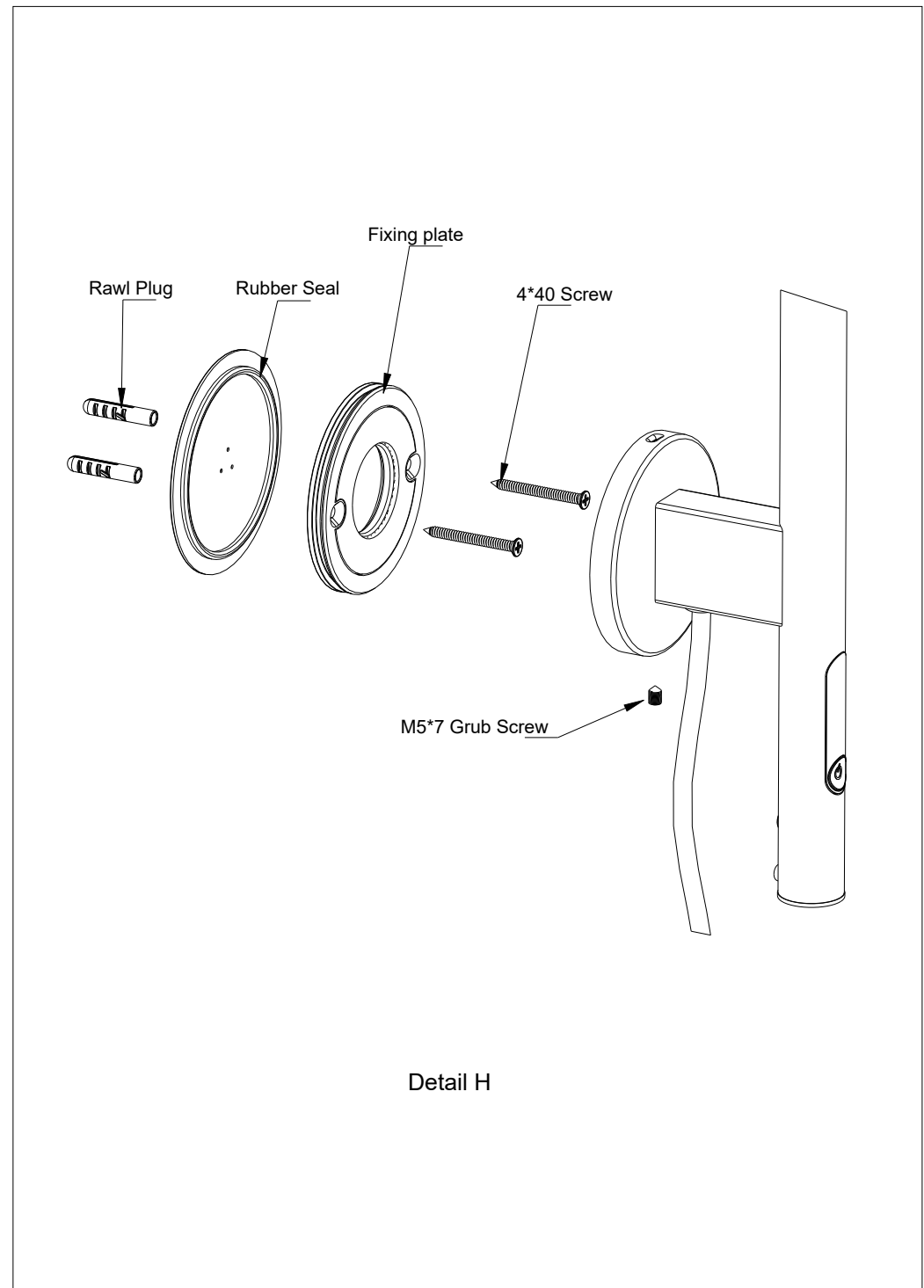
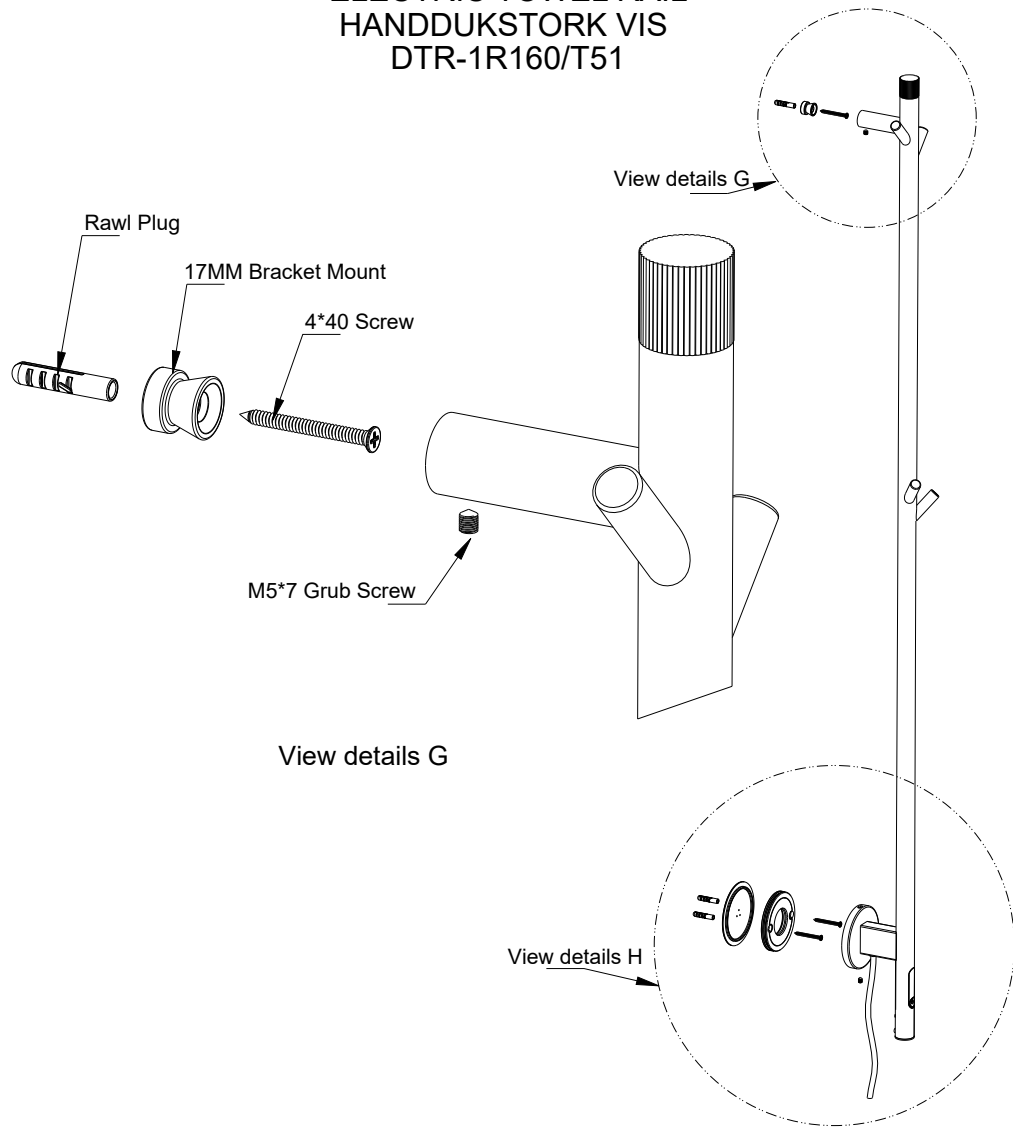


NOOLI

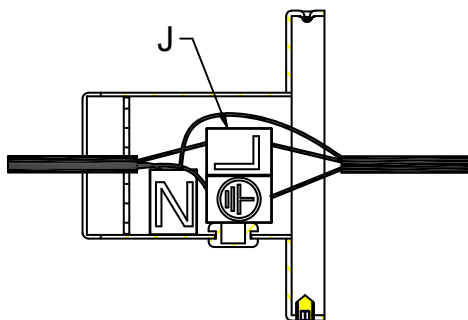
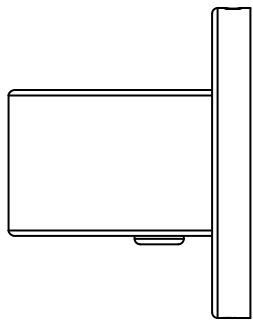
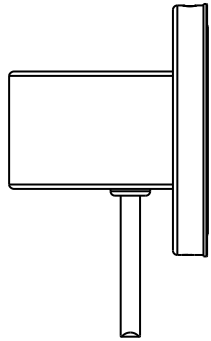
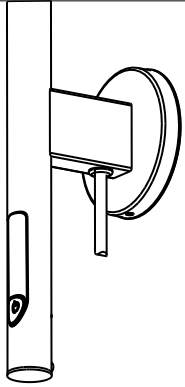
LIVING WITH GRACE

ELECTRIC TOWEL RAIL
HANDDUKSTORK VIS
DTR-1R160/T51

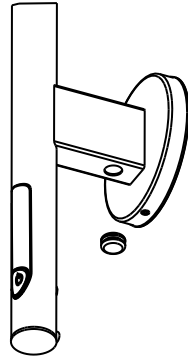


Installation Steps

1



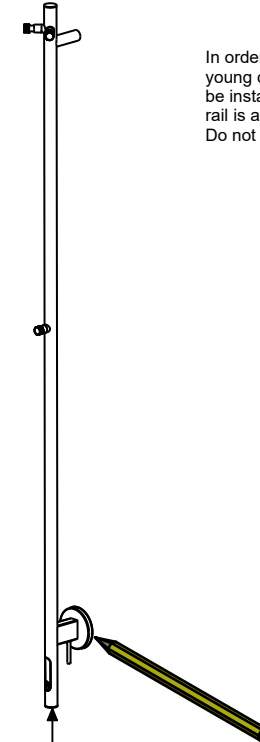
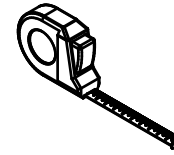
Hidden connection



At hidden connection, cut the cord (about 6 cm left) and connect it to the terminal (J) through the hidden connection
NOTE! The installation and connection should be carried out by a qualified electrician

2

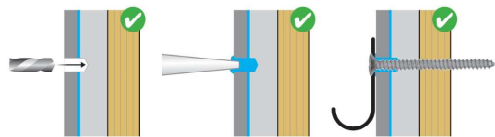
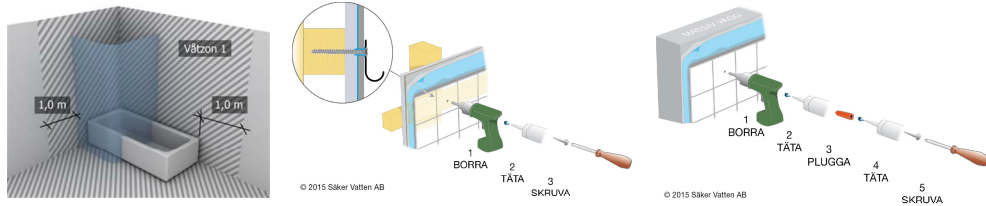
The installer must check the final positions of where holes are to be drilled with the product itself.



In order to avoid a hazard for very young children, this appliance should be installed so that the lowest heated rail is at least 600mm above the floor. Do not climb on the towel rail.

Please note: When drilling into the wall/floor, please insure that you do not damage the damp proof course. The method of wall mounting must be suited to the material of the wall (preboring, plugs etc.).

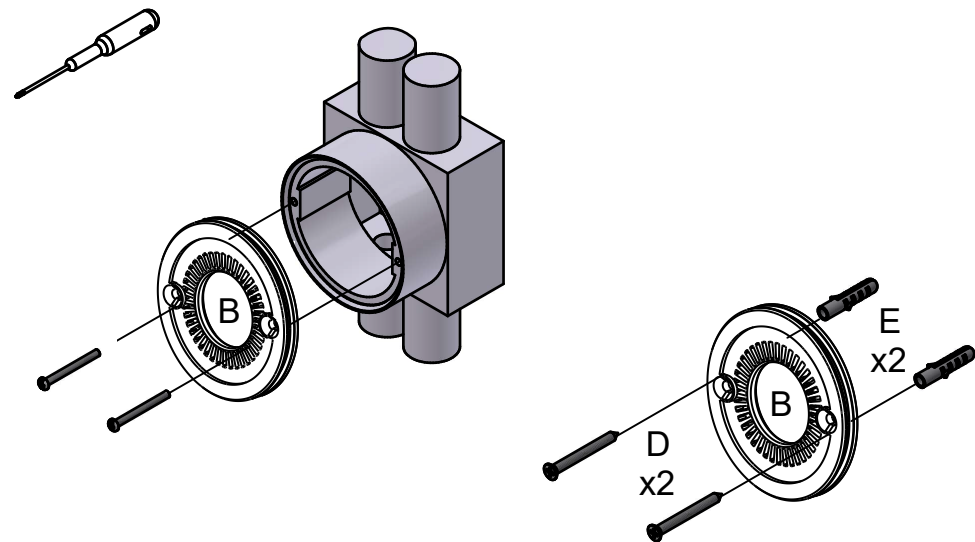
Screw fastenings in wet zone 1 must be made in concrete or other solid construction, wooden studs, wooden cornices or in construction that has been tested and approved for fastening, such as plate construction.



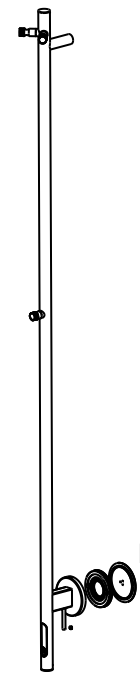
Tested and approved disc construction

- Drill only through the surface layer and waterproofing.
- Fill the hole with age-resistant sealant.
- The screw must drill through the plywood sheet.

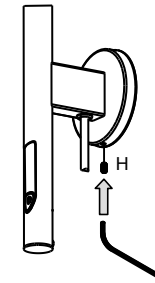
3



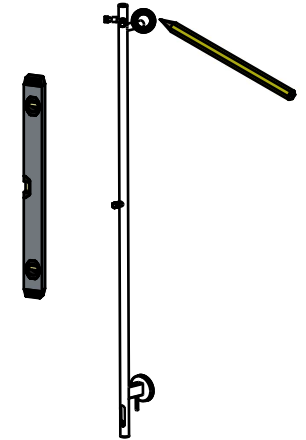
4



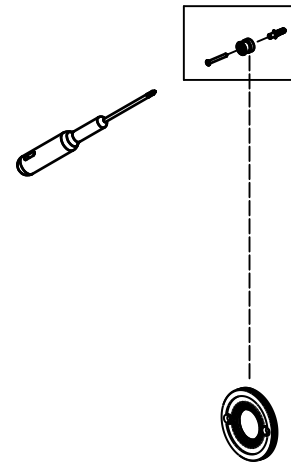
5



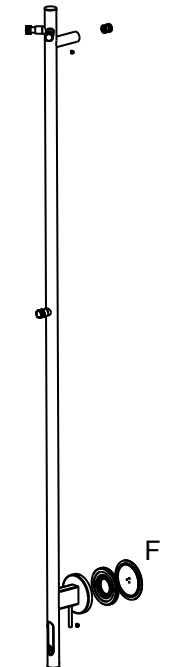
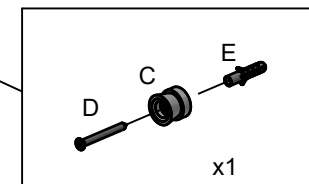
6



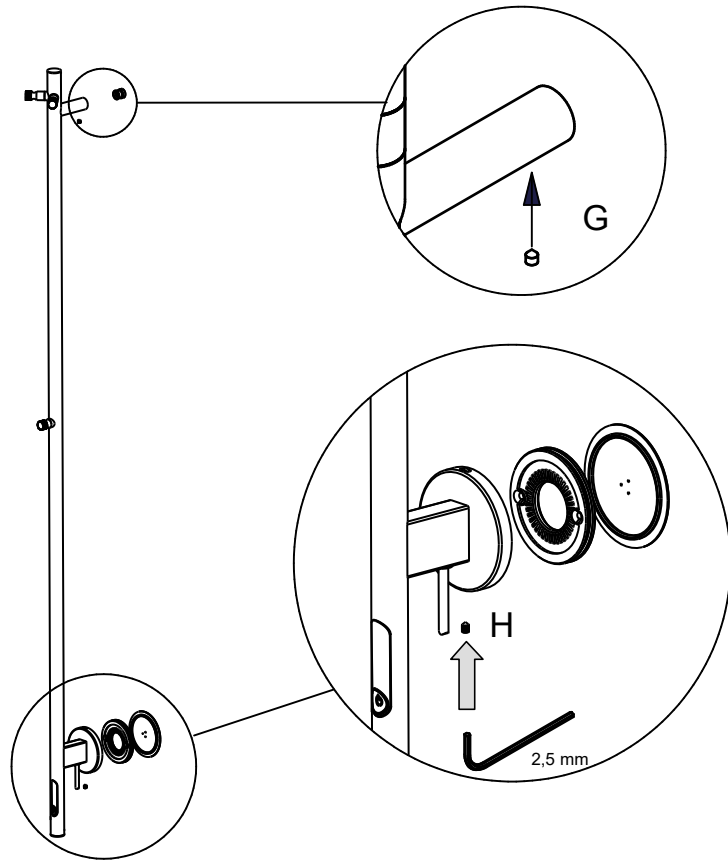
7



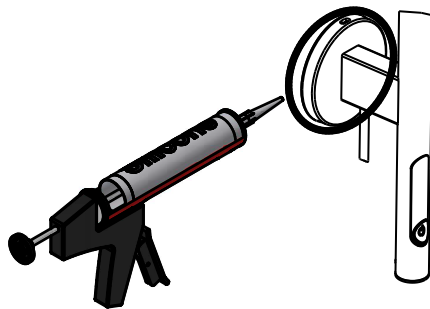
8



9



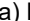
10

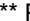


Timer Operating Instructions

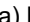
This appliance has a timer function with 3 operating modes:

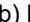
1. Continuous Operation:

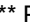
a) Press On/Off button  for 3 seconds to confirm the time, all light on the towel rail starts heating.

** Press On/Off button  at anytime when the light is on to turn off the light. The towel rail stops heating.

2. Timed Operation:

a) Press On/Off button  once, one light is on for setting the time 2 hours.


b) Press On/Off button  time can adjust the time, lights are on heating for the set time, and counts down until it turns off automatically.

** Press On/Off button  at anytime when the timer is working can turn off the timer.

The towel rail stops heating.

3. 24-Hour Timer:

a) Press On/Off button  once

HOLD On/Off button  for 3 seconds to confirm the time, the light will flash twice. The towel rail starts heating for the set time, and counts down until it turns off automatically.

When the set time is completed and the towel rail turns off and will enter sleep mode. The light will flash intermittently to indicate that the towel rail is in sleep mode. The towel rail will automatically turn on at the same 24-Hour Timer was activated :eg time every day according to when the activated at 7am for 2 hours, the towel rail will turn on at 7am every day for 2 hours.

Press On/off button at anytime when the timer is working can stop the timer. The towel rail enters sleep mode.

