

# FlexiWrap - Knee brace

ART.NO 70517

Stabilizing knee brace in open wrap design. Monocentric hinges are placed in open pockets for easy removal. If needed the hinges can be re-shaped to follow the contour of the leg. The orthosis is made in neoprene material, providing compression and stabilization around the knee. Velcro closures make the orthosis easy to adapt and adjust. The length of the orthosis is 29 cm.

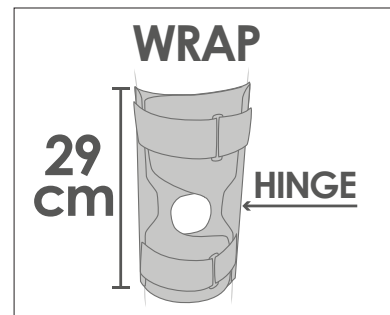
**Indications:** Support of knee instability and general pain conditions in the knee.

**Size:** XS-XL Universal right/left.  
XS-S: children's sizes.

**Material:** Styrene butadiene rubber (SBR) 50%,  
Stainless steel 38%, Nylon 10%, Viscose 1%, Polyamide 1%.  
Latex free.

**Washing instruction:** Machine wash at 40°C. Use a laundry bag. Dry flat. Seal the Velcros and remove the hinges before washing. Do not use bleach, chlorine bleach or fabric softener as this could impair the function of the material. Do not dry clean. Do not iron. Do not tumble dry.

**Measurement:** Circumference around knee, over patella.



	Size	Circumference cm	Art.no
Child	X-Small	25-28	70517-00-30
	Small	28-34	70517-00-40
	Medium	34-39	70517-00-50
	Large	39-46	70517-00-60
	X-Large	46-56	70517-00-70
	2X-Large	56-61	70517-00-80
	3X-Large	61-66	70517-00-90

