

AiryROM - Post-op knee brace

ART.NO 70521

Stabilizing knee brace in open wrap design with hole for the patella and the hollow of the knee. Fitted design that follows the contour of the leg and is possible to wear comfortably under clothing. Polycentric hinges provide adjustable flexion and extension ROM stops at selected degrees. Adjustment of the hinge is easily made with a pin and secured under a plastic cover. Extension and flexion can be adjusted and locked at 0°, 10°, 20°, 40°, 60° and 90°, or free movement in flexion. The hinges can easily be removed from the pockets and re-shaped to follow the contour of the leg. The brace is made in AirX, a breathable soft material providing compression and stabilization around the knee. Velcro closures make the orthosis easy to adapt and adjust. Silicone on the inside for anti-slip. The orthosis is 50 cm long.

Indications: Post operation of ligament injuries (ACL, PCL, MCL, LCL). Restricting hyperextension. Stabilization of ligament injuries post trauma.

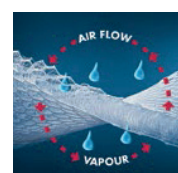
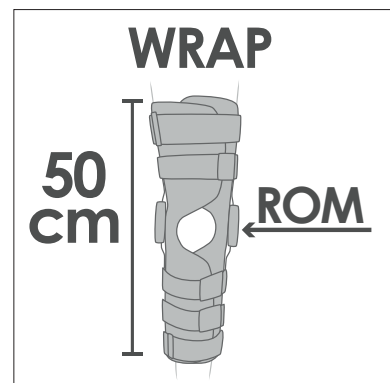
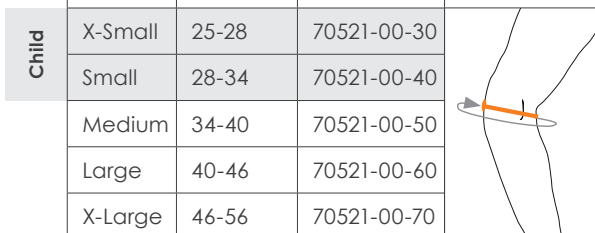
Size: XS-XL Universal right/left.
XS-S: children's sizes.

Material: Polyester 60%, Aluminium 26%, Polyamide 4%, Nylon 4%, Elastane 4%, Polyethylene 2%. Latex free.

Washing instruction: Machine wash at 40°C. Use a laundry bag. Dry flat. Seal the Velcros and remove the hinges before washing. Do not use bleach, chlorine bleach or fabric softener as this could impair the function of the material. Do not dry clean. Do not iron. Do not tumble dry.

Measurement: Circumference around knee, over patella.

Size	Circumference cm	Art.no
X-Small	25-28	70521-00-30
Small	28-34	70521-00-40
Medium	34-40	70521-00-50
Large	40-46	70521-00-60
X-Large	46-56	70521-00-70



Fits both
Adult & Child

MD Class I CE