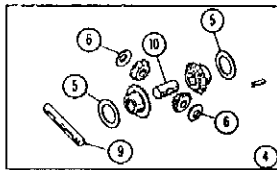
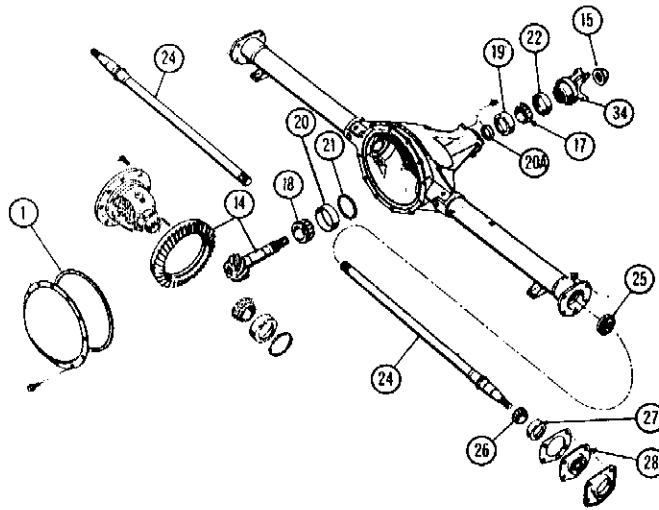
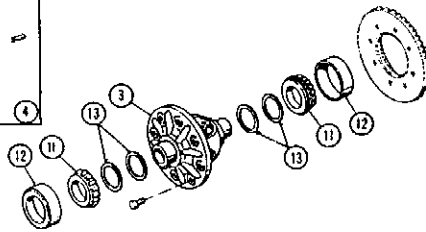


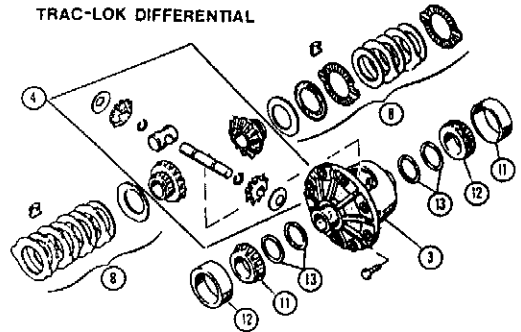
BAKAXEL AMC 20



STANDARD DIFFERENTIAL



TRAC-LOK DIFFERENTIAL



- | | | | | | |
|-----|---------|--------------------------------------|-----|----------|--------------------------------------|
| 1. | 3172122 | PACKNING DIFFKÄPA | 19. | 31721634 | BANA PIN YTTRE |
| 3. | 3212051 | DIFFHUS EJ 2:73-1 UTV.ÄXL. | 20. | 3172564 | BANA PIN. INRE |
| | 3226977 | DIFFHUS 2:73-1 UTV. | 20a | 3185791 | DISTANS PIN. (Hoppresningsbar) |
| | 8120280 | DIFF KOMPL. CJ5-8 TL | 21. | 3205533- | SHIMS PIN. (Beställs efter tjocklek) |
| 4. | 8122447 | DIFFDREVSATS (ej fasat hål, insida) | 22. | 3208474 | P-BOX PIN. |
| | 8127092 | DIFFDREVSATS (fasat hål, insida) | 24. | 8127081 | DRIVAXEL H. CJ7 76-79 QT |
| | 8120326 | DIFFDREVSATS TL | | 8127079 | DRIVAXEL V. CJ7 76-79 QT |
| 5. | 3187048 | BRICKA DIFFDR. (Drev ej fasat hål) | | 8127071 | DRIVAXEL H. CJ5/7 76-84 |
| | 3220250 | BRICKA DIFFDR. (Drev fasat hål) | | 8127070 | DRIVAXEL V. CJ5/7 76-84 |
| 6. | 3189402 | BRICKA DIFFDR. KUP.(Ej fasat hål) | | 3235810 | DRIVAXEL H. Che.80-81 Wide Track |
| | 3222799 | BRICKA DIFFDR. KUP.(Fasat hål) | | 3235811 | DRIVAXEL V. Che.80-81 Wide Track |
| 8. | 8120325 | LAMELLSATS TL CJ5,6,7,8. | | 3235806 | DRIVAXEL H. Che.80-81 Ej ovanst. |
| 9. | 3218195 | AXEL DIFFDREV | | 3235807 | DRIVAXEL V. " " |
| 10. | 3162323 | DISTANS DRIVAXLAR | | 3235808 | DRIVAXEL H. Truck 80-81 |
| 11. | 3172565 | LAGER DIFF | | 3235809 | DRIVAXEL V. Truck 80-81 |
| 12. | 3172566 | BANA DIFF | 25. | 3170700 | P-BOX DRIVAXEL INRE CJ5-8 |
| 13. | 3205532 | SHIMSSATS DIFF | | 3235928 | P-BOX DRIVAXEL INRE Che. Truck |
| 14. | 8132699 | DREVSATS 2:73-1 | 26. | 3150046 | LAGER DRIVAXEL CJ5-8 |
| | 8130388 | DREVSATS 3:07-1 | | 8124050 | LAGER DRIVAXEL Che. Truck |
| | 8132700 | DREVSATS 3:31-1 | 27. | 3150045 | BANA DRIVAXEL. CJ5-8 |
| | 4486825 | DREVSATS 3:54-1 | 28. | 4485691 | YTTRE TÄTN/LAGERHÅLL CJ |
| | 8127072 | DREVSATS 4:10-1 | | 8124955 | LAGERHÅLL. Che. Truck |
| 15. | 3182601 | MUTTER PIN. | 30. | 5355719 | HJULBULT CJ5-8 (Ej bild) |
| 17. | 3172135 | LAGER PIN. YTTRE | | 8124584 | HJULBULT Che. Truck " |
| 18. | 3172563 | LAGER PIN. INRE | 31. | G103905 | KIL DRIVAXEL CJ5-8 " |
| | | | 32. | 3155675 | MUTTER DRIVAXEL " |
| | | | 33. | 18737 | BRICKA DRIVAXEL " |
| | | | 34. | 8129201 | MEDBRINGARE PIN. CJ 76-84 |

QT = QUADRATRAC
TL = TRAC-LOK