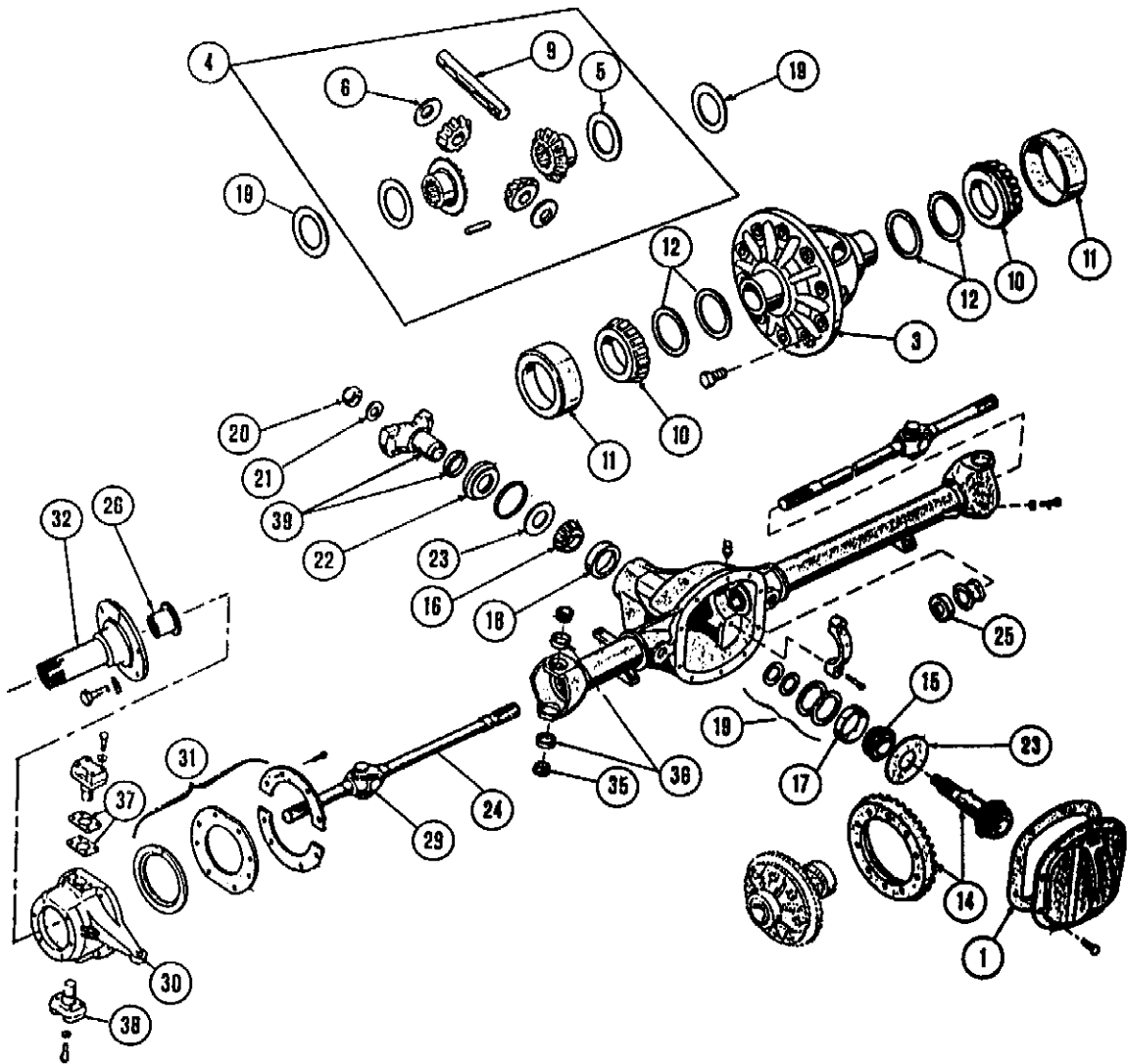


FRAMAXEL DANA 25



- | | | | | | |
|-----|--------|------------------------|-------|----------|---------------------|
| 1. | 934932 | PACKNING DIFFKÅPA | 21. | 636570 | BRICKA PIN. |
| 3. | A793 | DIFFHUS | 22. | 998092 | PACKBOX PIN. |
| 4. | 926544 | DIFFDREVSATS | 23. | 636566 | OLJEKASTARE |
| 5. | A795 | SHIMS DIFFDREV "PLANT" | 24. | 909460 | DRIVAXEL HÖGER |
| 6. | A797 | SHIMS DIFFDREV "KUPAT" | 25. | 909459 | DRIVAXEL VÄNSTER |
| 9. | A798 | DIFFDREVSAXEL | 26. | 649873 | BUSSNING SPINDEL |
| 10. | 52880 | LAGER DIFFHUS | 27. | 649874 | PACKNING |
| 11. | 52881 | BANA DIFFHUS | 28. | A868 | DRIVFLÄNS |
| 12. | 648061 | SHIMS DIFFHUS | 29. | 8126608 | KNUTKORS |
| 14. | 910064 | DREVSATS 4:27-1 | 30. | 117801 | KNUTHUS H + V MB |
| | 801925 | DREVSATS 4:88-1 | | 805784 | KNUTHUS H CJ- M38A1 |
| | 801928 | DREVSATS 5:38-1 | | 805783 | KNUTHUS V CJ.-M38A1 |
| 15. | 807266 | PIN.LAGER INRE | 31. | 915664 | TÄTN.SATS KNUTHUS |
| 16. | 52878 | PIN.LAGER YTTRE | 32. | 940775 | SPINDEL |
| 17. | 52877 | BANA INRE | 35-36 | 52940-41 | SPINDELLAGER |
| 18. | 52879 | BANA YTTRE | 37. | A6882 | SHIMS SPINDELLAGER |
| 19. | 649228 | SHIMS PIN. | 38. | 910901 | HÅLLARE |
| 20. | 801367 | MUTTER PIN. | 39. | A1445 | MEDBRINGARE PIN. |