

The New MyChron5



MyChron5

The New Generation

Alarm Led 1

RGB Shiftlights

Integrated GPS

Alarm Led 2



Light sensor

Wide Graphical display

Pushbuttons



Temperatures

Rechargeable Lithium Battery



Lap beacon

Exp/PC

Nylon body

MyChron5

The New Generation



An integrated High Technology Dash Logger for kart drivers

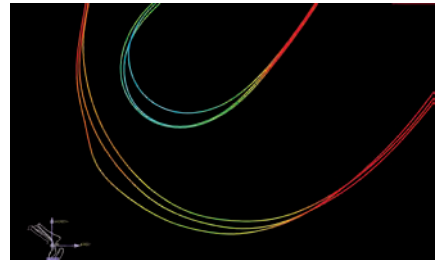
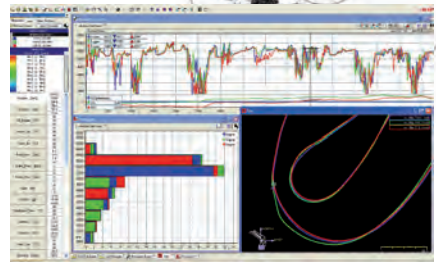
- Integrated GPS
- Wide display with configurable multicolor backlight
- Graphical display resolution
- Completely configurable pages
- Calculated Gear Number
- 2 freely configurable RGB Alarm LEDs
- 5 freely configurable RGB ShiftLight LEDs
- Nylon body
- Metallic pushbuttons
- Rechargeable Lithium Iones Battery
- WiFi connection
- Fully compatible with MyChron4 add-ons
- Waterproof IP65

Integrated GPS

Our technicians have worked for many years for making GPS technology useful and reliable in the motorsport environment. We have reached such a good level that we decided to integrate GPS module inside MyChron5.

The system takes advantage from an internal wide track dbase, in order to automatically understand in which track you are, where and how many are the magnetic strips: without any further sensor or configuration you will automatically get lap times, predictive lap times and split times.

GPS data, acquired ten times per second, are of course recorded with other signals in the internal datalogger, in order to offer the possibility of a deep analysis of your performance.



A robust housing with wider display

The new Nylon chassis with metallic pushbuttons guarantees even more resistance to shocks and water. The anti-scratch non-reflecting polycarbonate screen and the wider display ensure great readability.



Completely configurable pages

Define as many pages as you wish, showing graphic bars or just digits, via software or directly on your system.



Calculated Gear Number

In case your kart is a shift kart, you can decide to show the gear number, automatically calculated in a few hundredths of meters while you are driving.



Ambient Light Sensor

MyChron5 provides optimum viewing in diverse lighting conditions: the display brightness is automatically adjusted according to the environment light.



Wide display with configurable multicolour backlight

More data require more space for looking at them.

MyChron5 features a wide high resolution display with fully configurable backlight.



Rechargeable Lithium Battery

No problems with traditional batteries anymore: MyChron5 is powered by a dedicated rechargeable - and removable - lithium battery.

It is long-lasting (about 10 hours duration) and easy to recharge, placed on its magnetic basement connected to the power adapter.

The usual external power connection is also available.



ShiftLight and Alarm LEDs

Five RGB shift lights can be configured for each gear, choosing LED color and RPM threshold values which will turn them on/off. They also allow RPM monitoring in a glance.

Even alarms are managed in a very flexible way: you choose the situation that generates the alarm, the LED behavior (blinking frequency and color) when the alarm appears and the conditions for its switch-off.



WiFi connection

Download your data to your PC, look at the OnLine measures, upgrade your firmware, transmit parameters using the well known DataKey or through fast WiFi connection.



MyChron5 2T

Like its predecessor, MyChron5 2T gives the chance to control two engine temperatures instead of one, coming from thermocouples or thermoresistors.

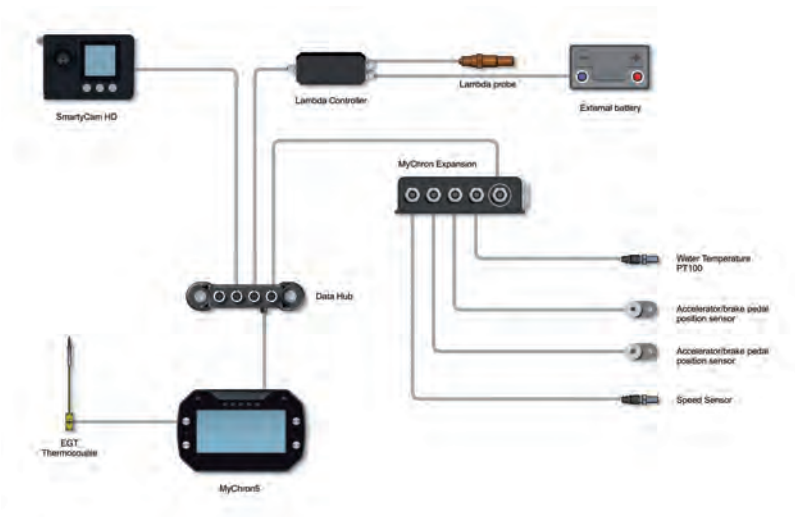


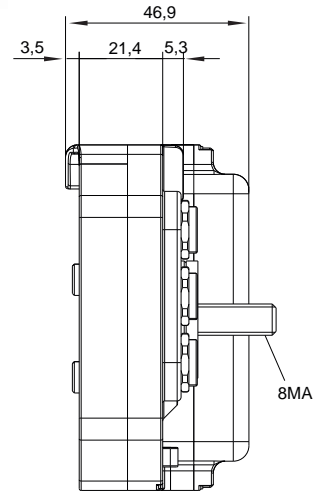
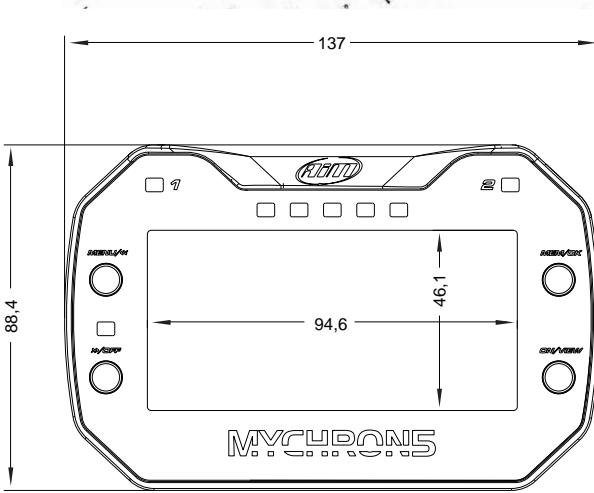
Fully compatible with MyChron4 add-ons

Adding new modules you will get all the additional information you need:

LCU-One, perfectly tuning the carburetion of your engine.

MyChron Expansion, the channel multiplier that permits to check when you brake and accelerate, as well as Power Valve behaviour
Smartycam, for professional videos with real-time data overlaid.





- Display resolution	Graphical
- Alarm LEDs	2 RGB freely configurable
- Shift Lights	5 RGB freely configurable
- GPS integrated	Yes
- WiFi connection	Yes
- Backlight	Multicolor, configurable
- Body	Nylon
- Pushbuttons	Metallic
- Battery	Lithium Battery rechargeable
- Battery duration	10 hours
- Battery charger	Included
- MY4 add-ons compatible	Yes
- Memory	4 Gb

- Dimensions	137x88,4x46,9mm
- Weight	340g battery included
- Waterproof	IP65