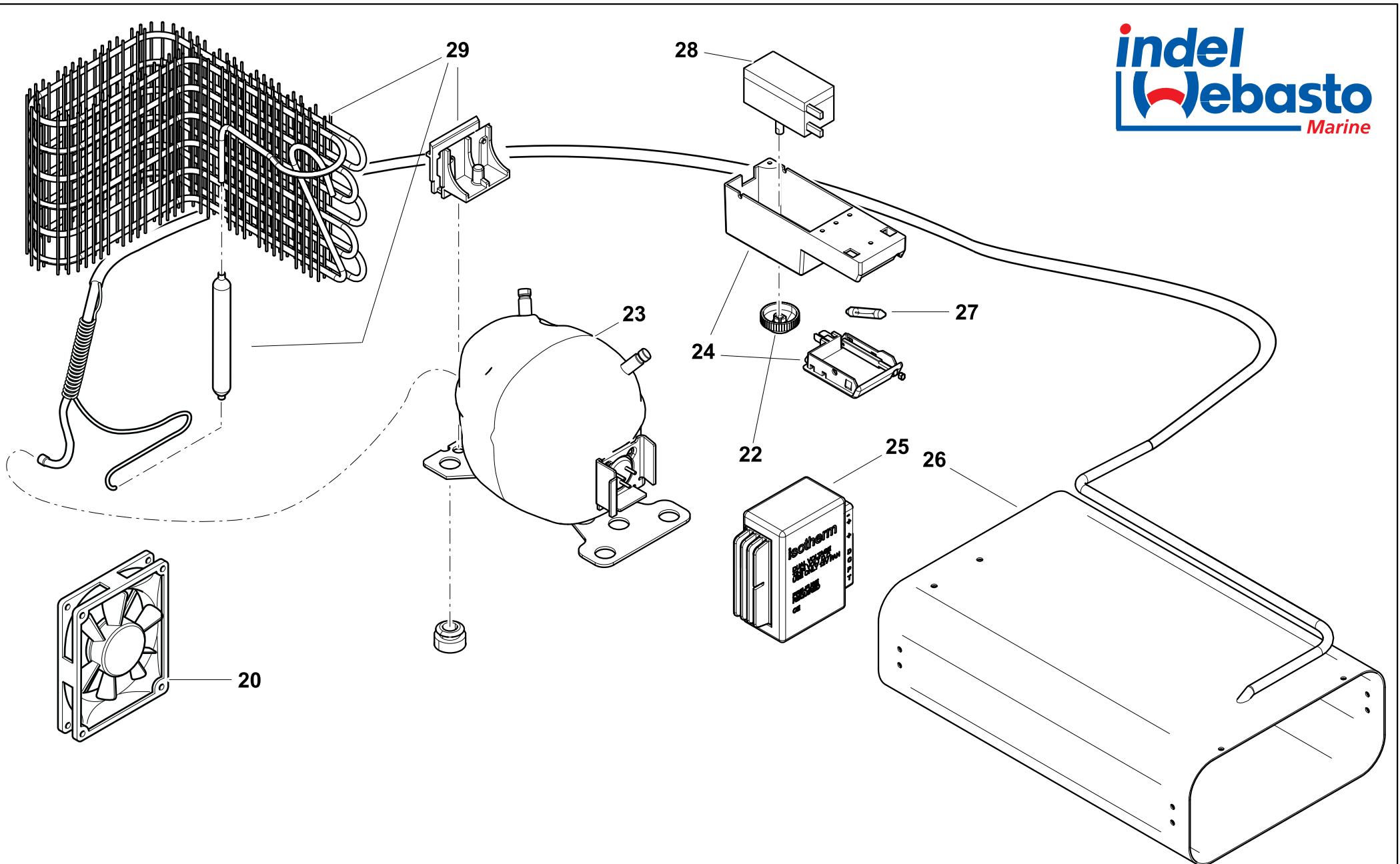


CR 130 - CABINET



CR 130 - COOLING UNIT

NUMERO NUMBER	COD. ARTICOLO ITEM CODE	DESCRIZIONE ARTICOLO ITEM DESCRIPTION
1	SGA00059AA	PANNELLO PORTA CR130 MASONITE GRIGIO 504x716x2,2mm DOOR PANEL CR130 MASONITE GREY 504x716X2.2mm
2	SGB00119AA	TOP CR130 VERNICIATO NERO C. TOP CR130 BLACK PAINTED C.
3	SBE00068AA	CERNIERA INOX TUTTI CR VER. INOX + (CR49 CR65 CR85 CR130 C.) HINGE INOX FOR ALL VER. INOX TYPE + (CR49 CR65 CR85 CR130 C.)
5	SGC00302AA	COPERTURA EVAPORATORE PLASTICA BIANCA CR85/CR130 C. PLASTIC COVER FOR EVAPORATOR CR85/CR130 C.
6	SGC00294AA	PORTINA EVAPORATORE CRUISE 85/130 C. EVAPORATOR DOOR CRUISE 85/130 C.
7	SGC00297AA	PROFILO FISS. PANNELLO CR130 C. PROFILE FOR FIXING PANEL CR130 C.
8	SGD00037AA	MANIGLIA PLASTICA NERA PER TUTTI CRUISE C. BLACK PLASTIC HANDLE FOR ALL CRUISE C.
9	SGC00298AA	PORTA COMPLETA CR130 C. COMPLETE DOOR CR130 C.
10	SGC00299AA	BALCONCINO CONTROPORTA CON FERMI CR130 C. PLASTIC RETAINER WITH SHELTER CR130 C.
11	SGC00125AA	FILONCINO METALLO PER BALCONCINO CR130 METAL RETEINER CR130
12	SGC00038AA	GRIGLIA INTERNA CR130/CR195 F151 INTERNAL SHELF FOR CR130/CR195 F151
13	SGC00292AA	SGOCCIOLATOIO EVAPORATORE CR85/CR130 C. DRIP TRAY FOR CR85/CR130 C.
14	SGC00300AA	GRIGLIA SUPERIORE PICCOLA CR130 C. SMALL UPPER SHELF CR130 C.
15	SGC00301AA	CASSETTO INFERIORE PLASTICA BIANCA CR130 C. LOWER PLASTIC DRAWER CR130 C.
16	SGC00047AB	RIPIANO IN VETRO CR130 SET 2pz GLASS SHELF CR130 SET 2pz
17	SGB00112AA	SOSTEGNO INOX CONTROPORTA CRUISE 49/65/85/130 C. DOOR SUPPORT CRUISE 49/65/85/130 C.
18	SGC00022AA	CUBETTIERA CRUISE ICE CUBE CRUISE
20	SBG00005BA	VENTOLA CABLATA 12V LOW SPEED TP39236 FAN 12V LOW SPEED FOR COMPACT AND CRUISE TP39236
22	SEA00093AA	MANOPOLA TERMOSTATO CRUISE 49/65/85/130 C. THERMOSTAT KNOB CRUISE 49/65/85/130 C.
23	SBA00002DA	COMPRESSORE BD35F SENZA CENTRALINA DANFOSS COMPRESSOR BD35F 12/24V NO ELECTRICAL UNIT TP39301
24	SEC00004DA	PLAFONIERA COMPLETA 12/24V C. INTERNAL LIGHT KIT 12-24V C.
25	SEG00002DA	CENTRALINA DANFOSS 101N0210 BD35/50F 12/24V TP39310 ELECTRICAL UNIT DANF. 101N0210 BD35/50F 12/24V TP39310
25	SEG00030GA	CENTRALINA DANFOSS B35F/BD50F AC/DC 12/24V-115/230V ELECT. UNIT DANFOSS BD35F/50FAC/DC 12/24V-115/230V
26	SBF00105AA	EVAPORATORE CR85/130 C. EVAPORATOR FOR CR85/130 C.
27	SEC00005CA	LAMPADA A SILURO 24V-3W LIGHT BULB 24V-3W
27	SEC00007BA	LAMPADA A SILURO 12V-3W LIGHT BULB 12V-3W
28	SEA00092DA	TERMOSTATO CRUISE 49/65/85/130 C. THERMOSTAT CRUISE 49/65/85/130 C.
29	SBD00122AA	KIT CONDENSATORE PER CRUISE C. CONDENSATOR KIT FOR CRUISE C.
30	SGC00296AA	FERMABOTTIGLIE CR85/CR130 C. DOOR STOP CR85/CR130 C.