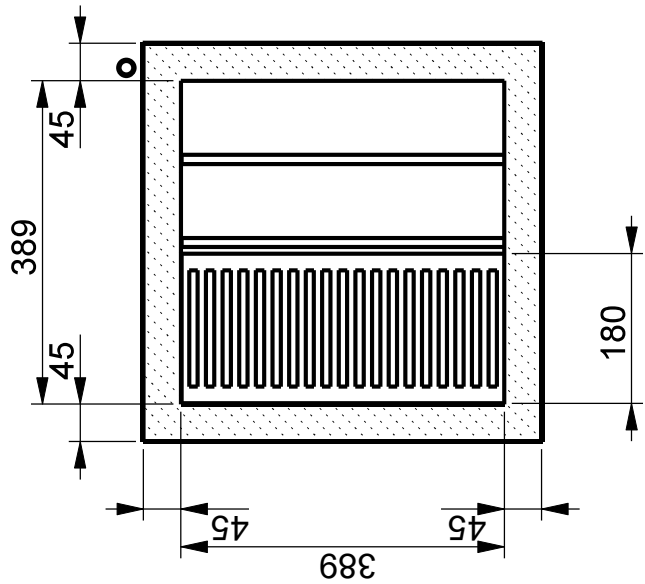
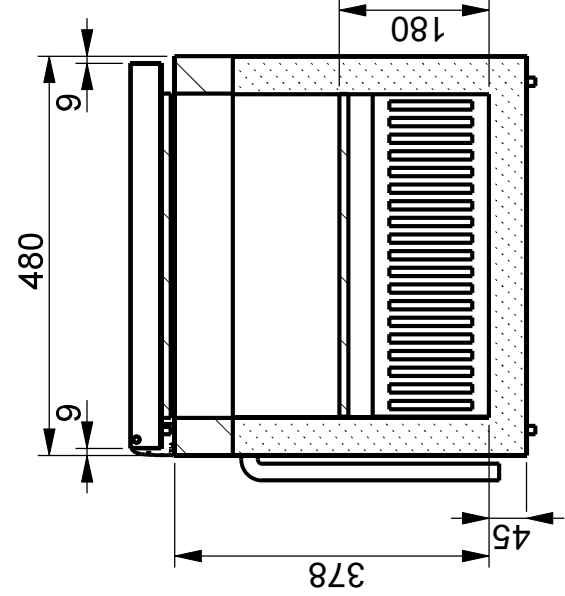
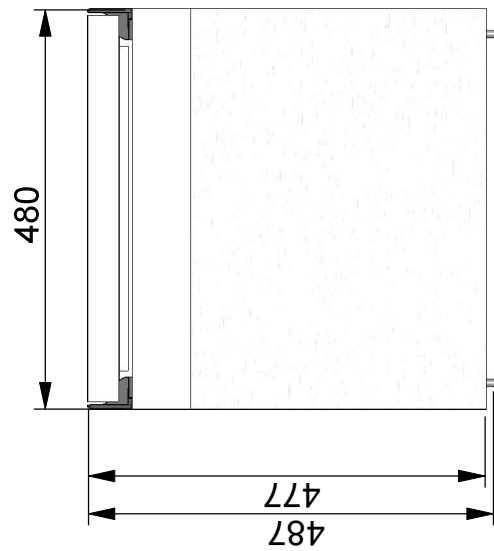
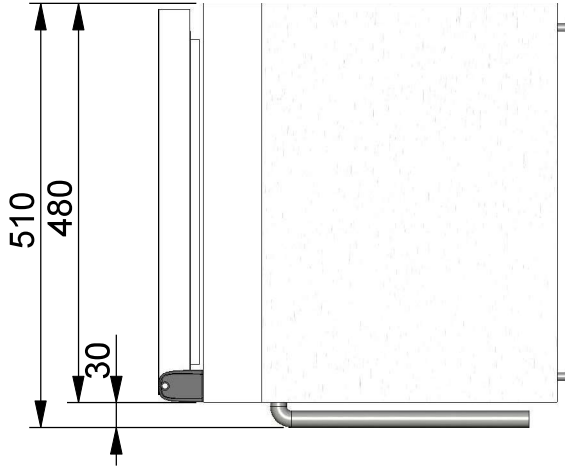



SPECIFICATIONS

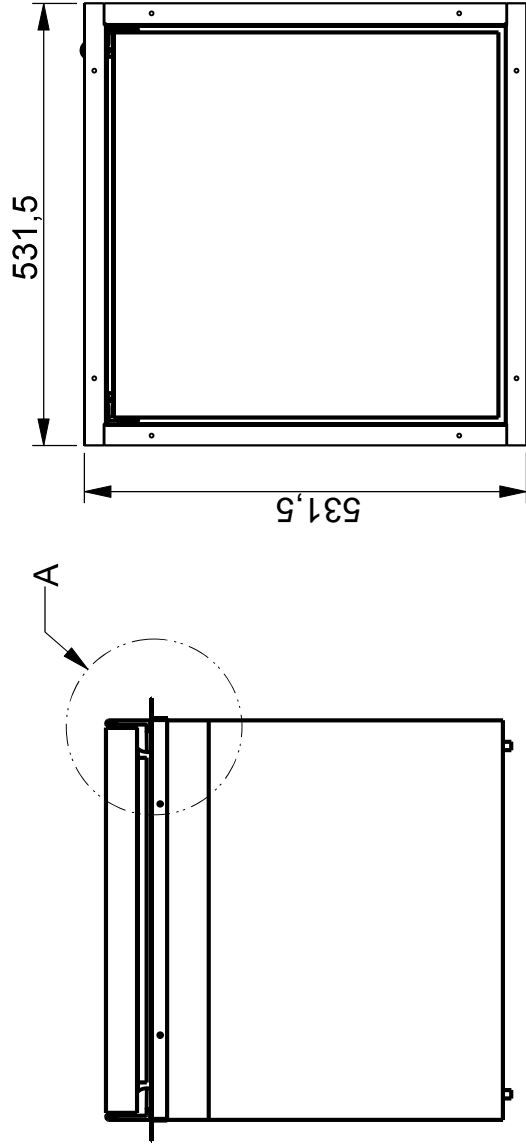


FEATURES CABINET FRO60C

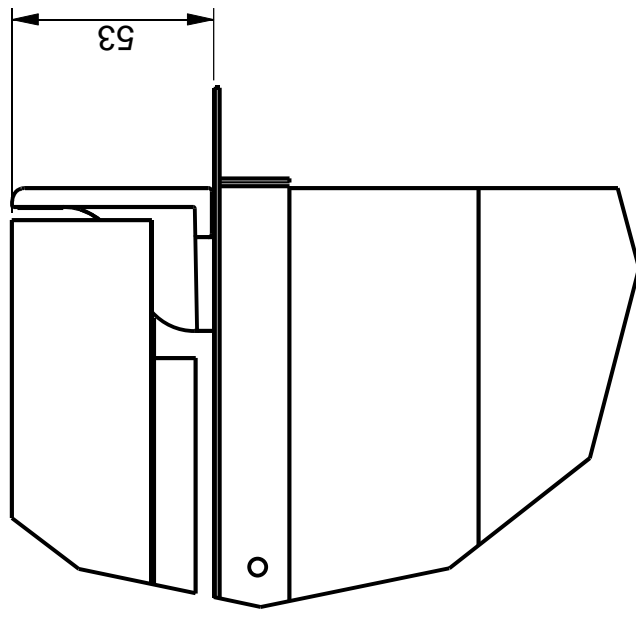
- W480xD510xH477 capacity of the fridge 60Lt;
- Range of temperature from 0°C to +15°C;
- External plasticized galvanized metal sheet;
- Internal walls in polished stainless steel 304BA;
- External front and door in stainless steel 316SB;
- Polyurethane foam insulation thickness 45mm;
- Condensate drainage connected by ¼ coupling;
- No. 01 fixed stainless steel shelf;
- No. 02 fixed vertical stainless steel shelves;
- Integrated copper tube evaporator;
- Gas expansion by capillary pipe;
- Mechanical thermostat for temperature control;
- External compressor (pipe lenght 2,5m);
- Do not place the refrigerator directly to atmospheric agents, but cover it with proper protections.

<p>CODICE PRODOTTO / PRODUCT CODE</p> <h1 style="margin: 0;">mod. FRO60C</h1>	<p>REVISIONE / REVISION:</p> <p>R02</p> <p>DATA / DATE:</p> <p>04/04/2018</p>
 <p style="font-size: 24px; font-weight: bold; margin: 0;">Frigonautica</p> <p style="font-style: italic; font-size: 14px; margin: 0;">Il freddo a misura di mare</p>	
<p>Via Confin 64, 30020 Torre di Mosto (Venezia) Italia Tel: +39 0421.3252114 - Fax: +39 0421.325343</p> <p>E-Mail: info@frigonautica.it - P.IVA: 03687150270</p> <p>www.frigonautica.it</p>	
<p>PROPRIETA' DI FRIGONAUTICA srl Senza autorizzazione scritta della stessa, il presente disegno non potrà essere utilizzato per la costruzione dell'oggetto rappresentato, né venire comunicato a terzi. All rights reserved. No part of this drawing may be reproduced, stored in a retrieval system, or transmitted in any form or by any means, electronic, mechanical, photocopying, recording, or by any information storage and retrieval system, without the prior written permission of FRIGONAUTICA srl. This drawing shall not be reproduced also partially or in any way utilized for the manufacture of the component or unit herein illustrated and must not be released to other parties without written consent. Any infringement will be legally pursued.</p>	


ACCESSORIES - OPTIONAL



- FIXING KIT
Special stainless steel frame which allows to easily fix the cupboard to the furniture.



DETAIL A - FIXING KIT

CODICE PRODOTTO / PRODUCT CODE		REVISIONE / REVISION:
mod. FRO60C		R02
		DATA / DATE: 04/04/2018
 <i>Il freddo a misura di mare</i>		
Via Confin 64, 30020 Torre di Mosto (Venezia) Italia Tel: +39 0421.325214 - Fax: +39 0421.325343 E-Mail: info@frigonautica.it - P.IVA: 03687150270 www.frigonautica.it		
<small>PROPRIETA' DI FRIGONAUTICA srl Senza autorizzazione scritta della stessa, il presente disegno non potrà essere utilizzato per la costruzione dell'oggetto rappresentato, né venire comunicato a terzi. All rights reserved. Any reproduction, in whole or in part, without the written consent of FRIGONAUTICA, is prohibited. This drawing shall not be reproduced also partially or in any way utilized for the manufacture of the component or unit herein illustrated and must not be released to other parties without written consent. Any infringement will be legally pursued.</small>		