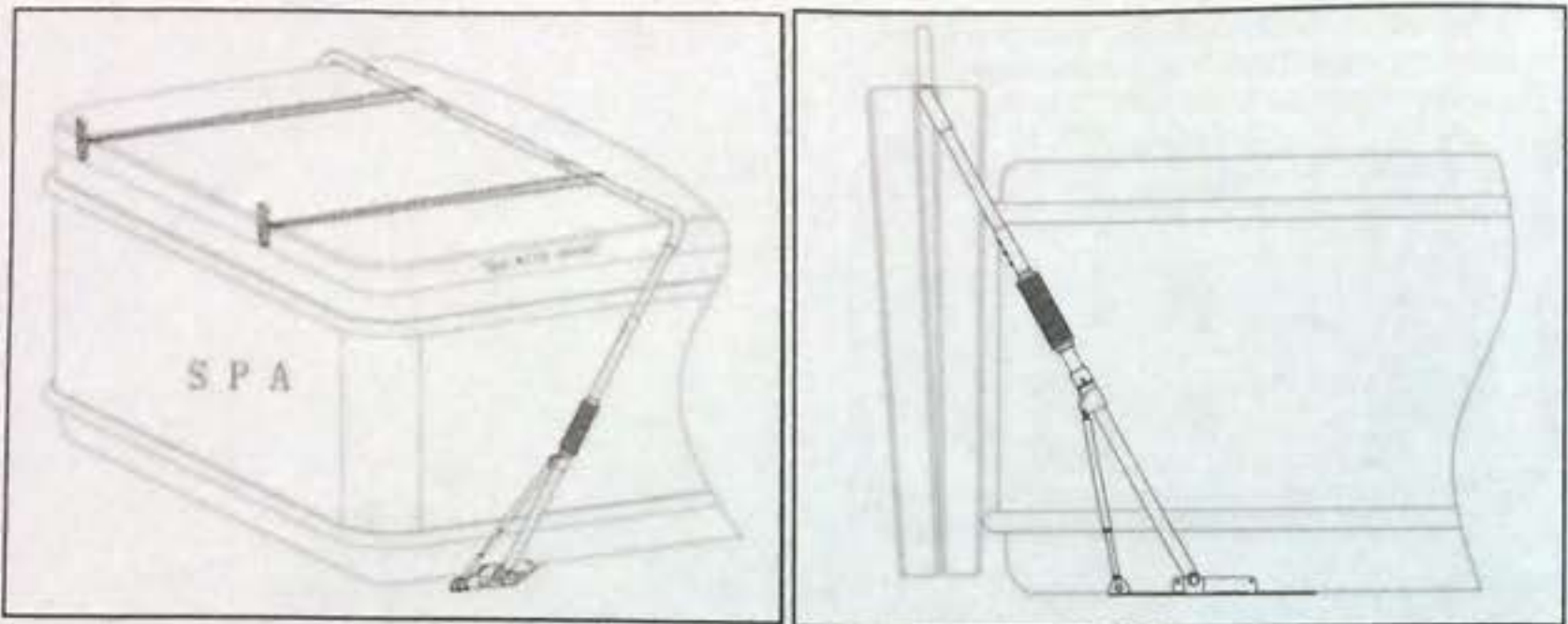


# Cabinet Free Universal Assist Lifter Instructions

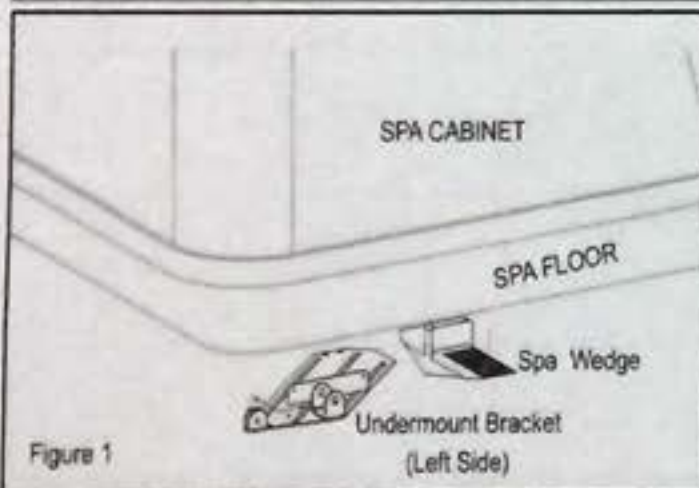


**\*Make sure that you have all the parts from the parts list\***

**Note: All left and right directions are from standing in front of Hot Tub**

## NOTES:

1. Cover can not be lifted from the side, only from the centre inside or behind of spa.
2. You will need a level base of wood, concrete, or patio blocks.
3. If any shimming is required you must shim from under the base of the bracket.
4. You will need 48" clearance, if you will be lifting the cover from behind the SPA.
5. You will need 30" of space behind the SPA, if you will be lifting the cover from the inside of the SPA.

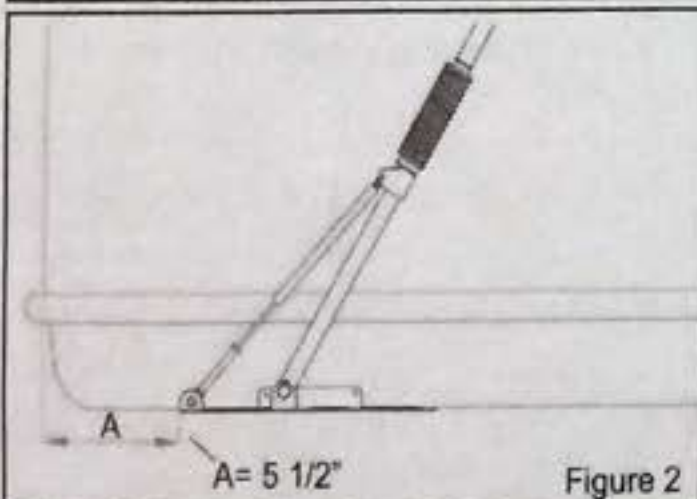


## STEP 1:

Raise and block Spa (recommend using CCS Leisure "SPA WEDGE") to place brackets underneath. You will need to place bracket 5 1/2" squared from back of Spa (7ft or 8ft square spa), as per (Fig. 1 & 2)

## STEP 2:

Confirm bracket location is correct and square, remove blocking and lower SPA onto brackets. (Fig. 2)



## STEP 3:

Secure brackets by mounting to Spa floor or deck using screws supplied. (Fig. 3)