

# Cabinet Free Universal Assist Lifter Instructions

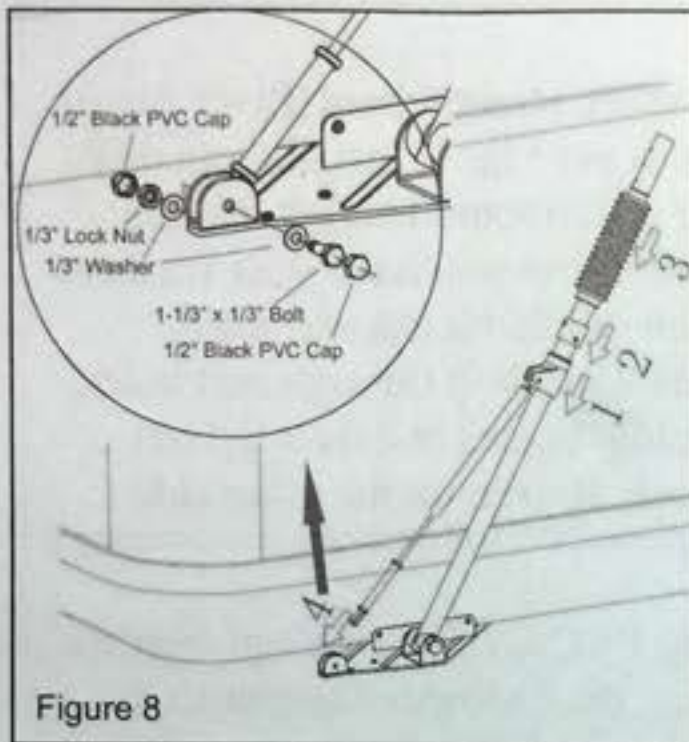


Figure 8

## STEP 12:

One side at a time, slide cylinder mount up to the Cylinder Stopper, now install Rod End of Cylinder into Undermount Bracket using 1-1/3" x 1/3" Bolt with 1/3" Lock nut. Repeat on the opposite side.

Note: Do not over tighten bolt, cylinder will not pivot correctly. (Fig. 8)

## STEP 13:

Now proceed to slide rubber boot into the recessed slot on the Sliding Cylinder Mount for each side. (Fig. 9)

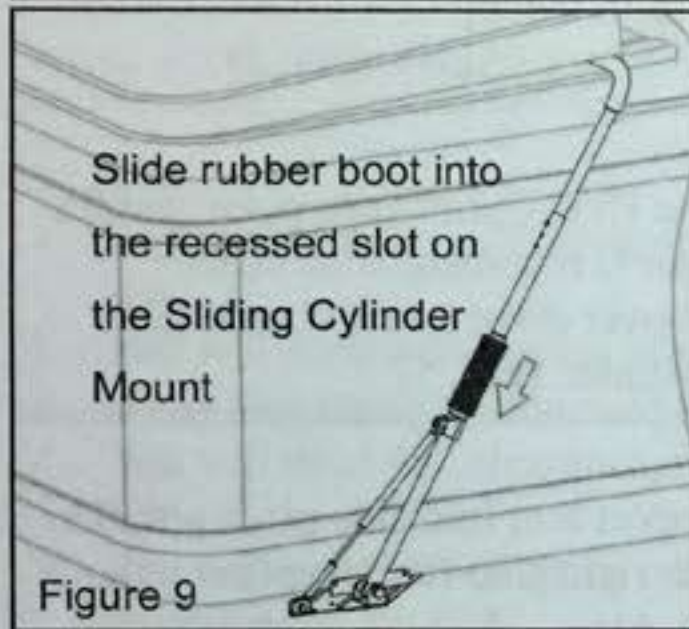


Figure 9

## STEP 14:

Now install all remaining Tek Screws as per Figure #10.

Install then all Black PVC caps for screw and bolt heads. (Fig. 10)

## STEP 15:

Cover Saver is now ready for installation. (Directions enclosed)

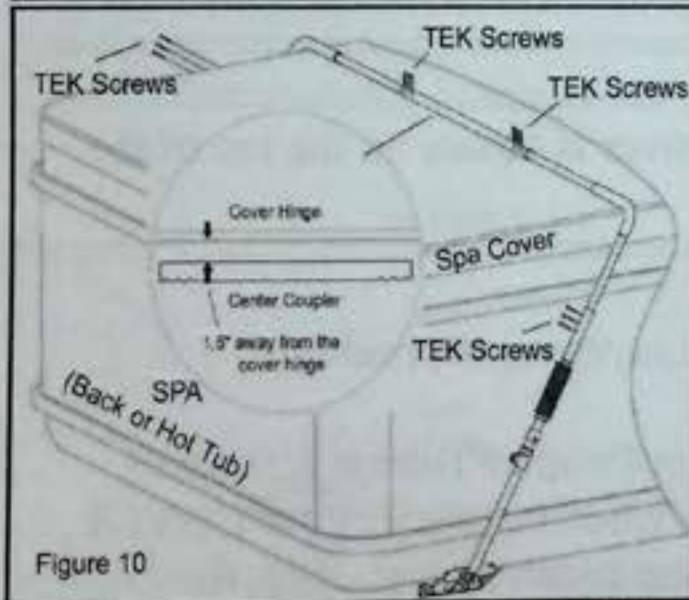


Figure 10

## Note:

Directions to CHANGE out Cylinder Rod End Stops:

Remove Cylinder Rod end bolt, unscrew rod end fitting and slide PVC washer off then the PVC stopper; install new 6" PVC stopper with washers behind and then screw rod end fitting until thoroughly tight, then re-install rod end bolt with lock nut as per Step 12. (Confirm both Cylinder rod stops are the same length) (Fig. 11)

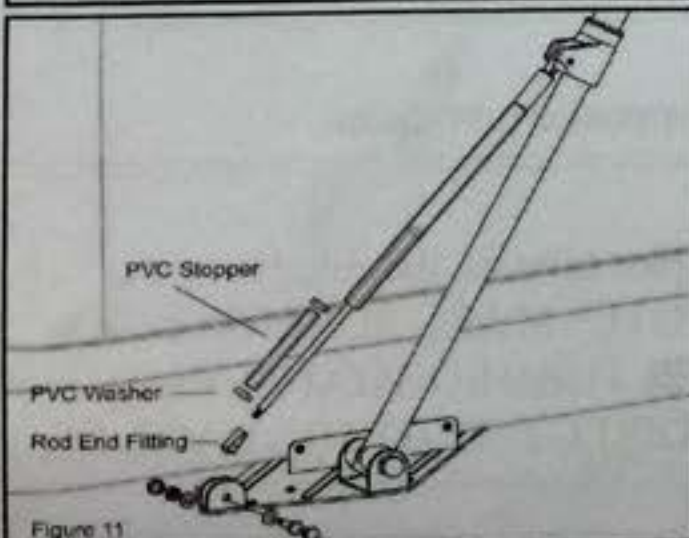


Figure 11