

# Robotic Pool Cleaner **Basic 4-UNI**

## **EN**

User Instructions .....p. 1-9

## **FR**

Mode d'emploi.....p. 10-18

## **IT**

Istruzioni per l'uso .....p. 19-27

## **ES**

Instrucciones de Uso .....p. 28-36

## **DE**

Gebrauchsanweisung .....s. 37-45

## **PT**

Manual de Instruções .....p. 46-54



**Basic 4-UNI**



**EN**

# Robotic Pool Cleaner Basic 4-UNI

## User Instructions

### Contents

1. INTRODUCTION .....	2
2. SPECIFICATIONS .....	2
3. WARNINGS AND CAUTIONS .....	2
3.1. Warnings .....	2
3.2. Cautions .....	2
4. POOL CLEANER PARTS .....	3
5. USING THE POOL CLEANER .....	4
5.1. Setup .....	4
5.2. Putting the Pool Cleaner into the pool .....	5
5.3. Removing the Pool Cleaner from the pool .....	5
6. CLEANING THE FILTER BAG OR CARTRIDGES .....	6
6.1. Removing and cleaning the filter bag .....	6
6.2. Replacing the filter bag .....	7
6.3. Cleaning the filter cartridges .....	8
6.4. Cleaning the impeller .....	9
7. OFFSEASON STORAGE .....	9
8. STAND ASSEMBLY .....	55

# Robotic Pool Cleaner Basic 4-UNI

## User Instructions

### 1. INTRODUCTION

Thank you for purchasing a Maytronics Robotic Pool Cleaner.

We are sure that your Maytronics Robotic Pool Cleaner will provide you with reliable, convenient and cost effective pool cleaning. Its reliable filtration in all pool conditions, active brushing, and all-surface climbing brush enhance maximum pool hygiene.

Robotic Pool Cleaners by Maytronics deliver advanced cleaning technology, long lasting performance and easy maintenance. You and your family will be free to enjoy your swim with the full confidence that it is completely clean.

### 2. SPECIFICATIONS

Motor protection: IP 68

Minimum depth: 0.80m/2.6ft

Maximum depth: 5m/16.4ft

### 3. WARNINGS AND CAUTIONS

#### 3.1. Warnings



- Use the originally supplied power supply only
- Ensure the electrical outlet is protected by a ground fault interrupter (GFI) or an earth leakage interrupter (ELI)
- Keep the power supply out of standing water
- Position the power supply at least 3m/10ft away from the edge of the pool
- Do not enter the pool while the Pool Cleaner is working
- Unplug the power supply before servicing

#### 3.2. Cautions

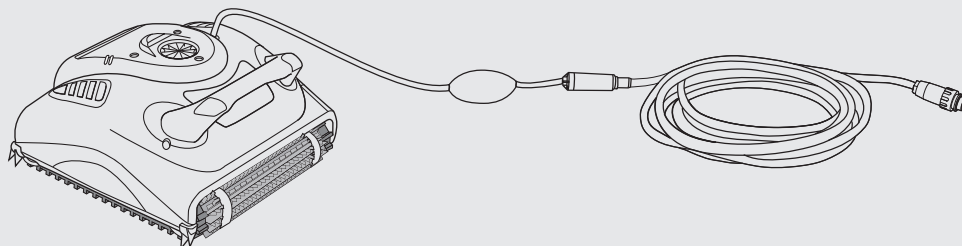
When not in use store the Pool Cleaner on the stand in a shaded area.

Use the Pool Cleaner in the following water conditions only:

Chlorine	Max 4 ppm
pH	7.0 - 7.8
Temperature	6°-34°C / 43°-93°F
NaCl	Maximum = 5000 ppm

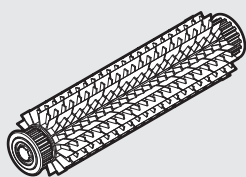
## 4. POOL CLEANER PARTS

### ► Robotic Pool Cleaner Basic 4-UNI

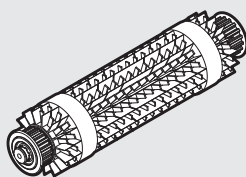


### ► Brushes

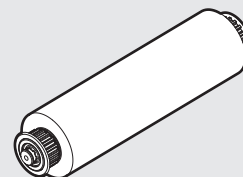
There are three types of optional brushes, each designed to provide optimal traction on different pool surfaces. Only one type set is provided with your robot Pool Cleaner.



**PVC Brush**  
For concrete, PVC,  
fiberglass and liner



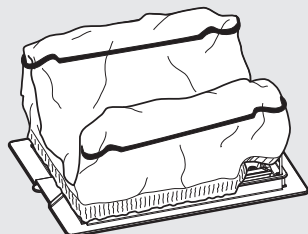
**Combined Brush**  
All surface climbing brush  
ideal for most pool surfaces



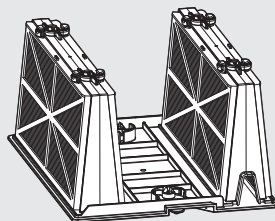
**Wonder (foam) Brush**  
For smooth ceramic tiles

### ► Filtration

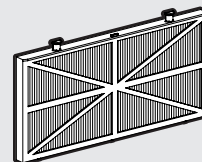
There are two options of filtration system: filter bag or cartridge. Only one system type is provided with your robot pool cleaner.



Bottom lid and filter Bag

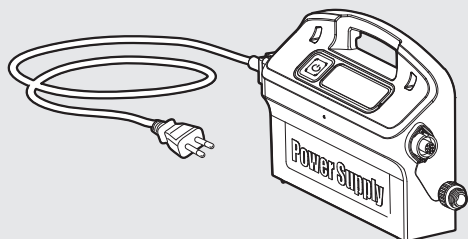


Cartridge with net filters (x4)

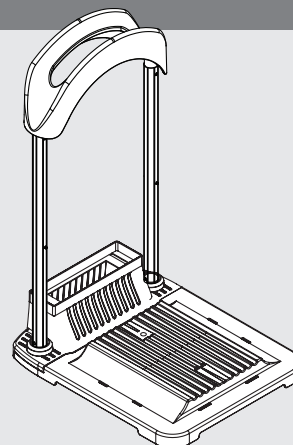


or ultra-fine filter (x4)

### ► Power Supply



### ► Stand



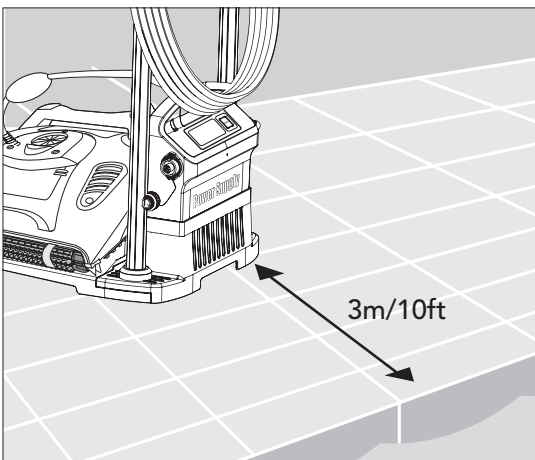
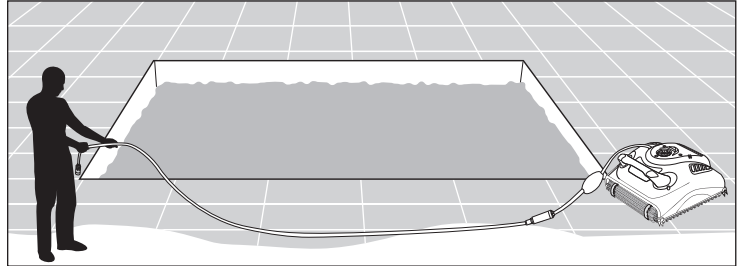
## 5. USING THE POOL CLEANER

The Pool Cleaner is very easy to use. Just follow the simple steps to get started, and your Pool Cleaner is ready to go.

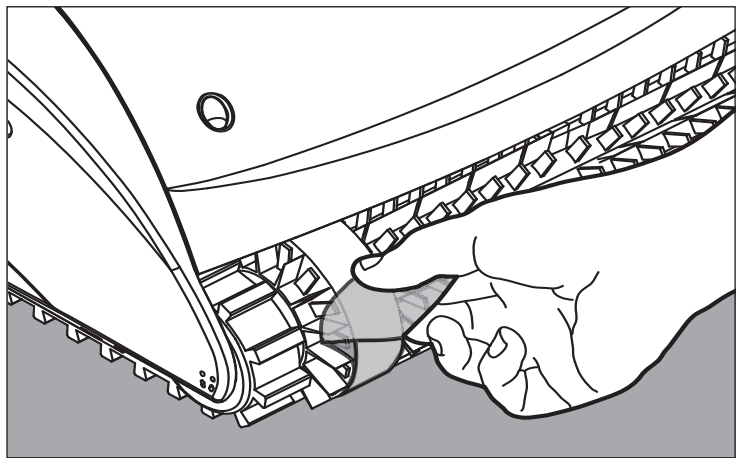
### 5.1. Setup

Before using the Pool Cleaner for the first time perform the following steps:

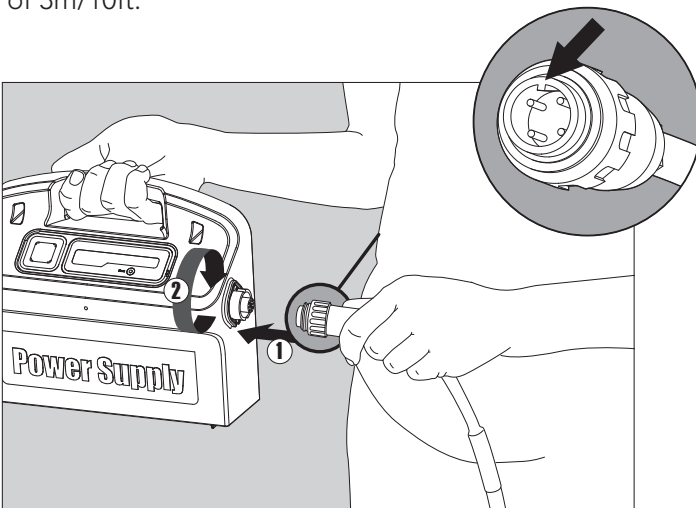
Unwind the cable and stretch it out completely so that it has no kinks.



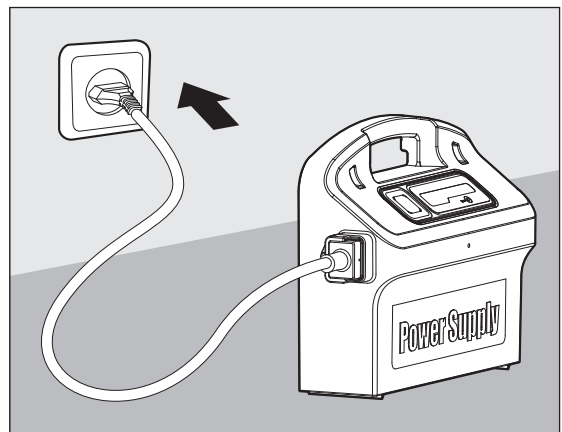
Position the stand so that it is approximately in the middle of the long side of the pool at a distance of 3m/10ft.



Some models arrive with plastic coverings on the brushes. Remove them before use.



Attach the floating cable to the power supply by inserting it with the notch on the connector (1) lined up with the groove in the socket on the power supply and turning clockwise (2).



Plug in the power supply and leave it in the OFF position.

## 5.2. Putting the Pool Cleaner into the pool

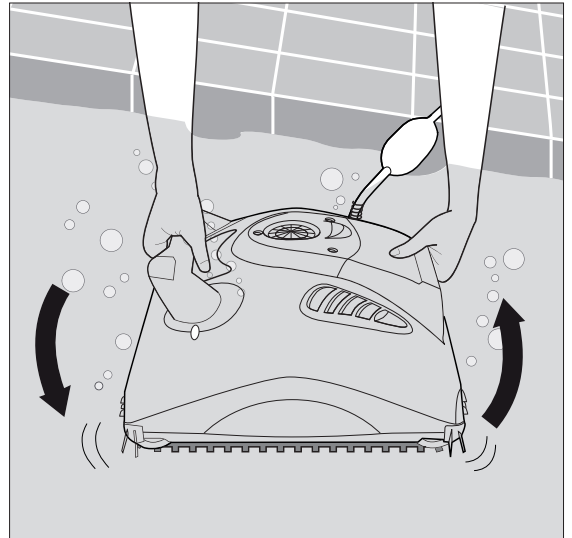
If your Pool Cleaner is equipped with brushes that contain sponges, dip the brushes in the water and squeeze them so that they will absorb water the first time you use the Pool Cleaner, or if the brushes have dried out between uses.

Holding the Pool Cleaner upside down in the water, gently rock it back and forth with your fingers holding the plastic doors on the bottom lid open to release trapped air. Continue until no more bubbles are released.

Release the Pool Cleaner and let it sink to the floor of the pool.

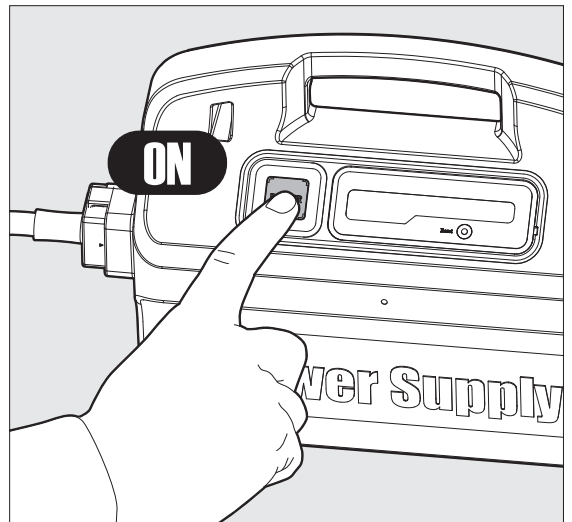
Make sure that the floating cable is free of any obstructions.

To avoid kinks in the floating cable, place approximately enough cable in the water for the Pool Cleaner to reach the farthest corner of the pool.



Turn the power supply ON.

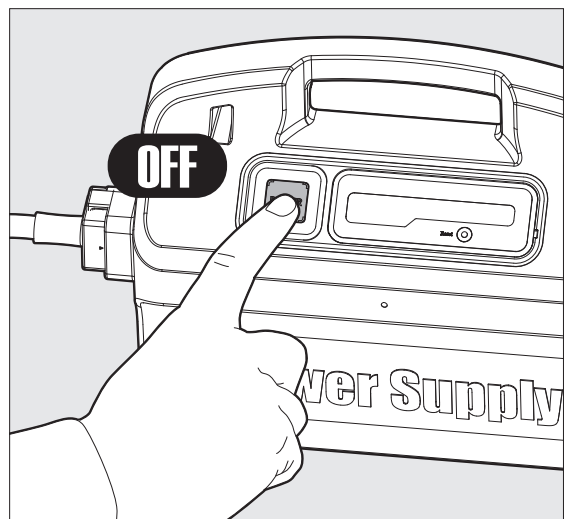
The Pool Cleaner will now operate until it has reached the end of the cleaning cycle.

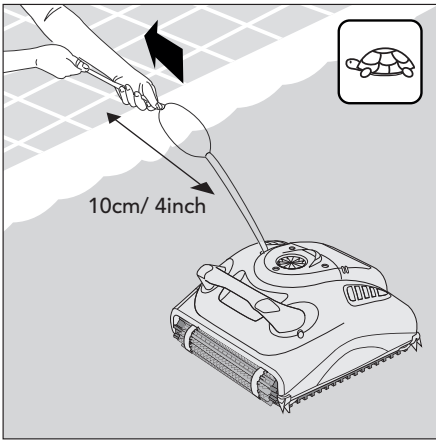


## 5.3. Removing the Pool Cleaner from the pool



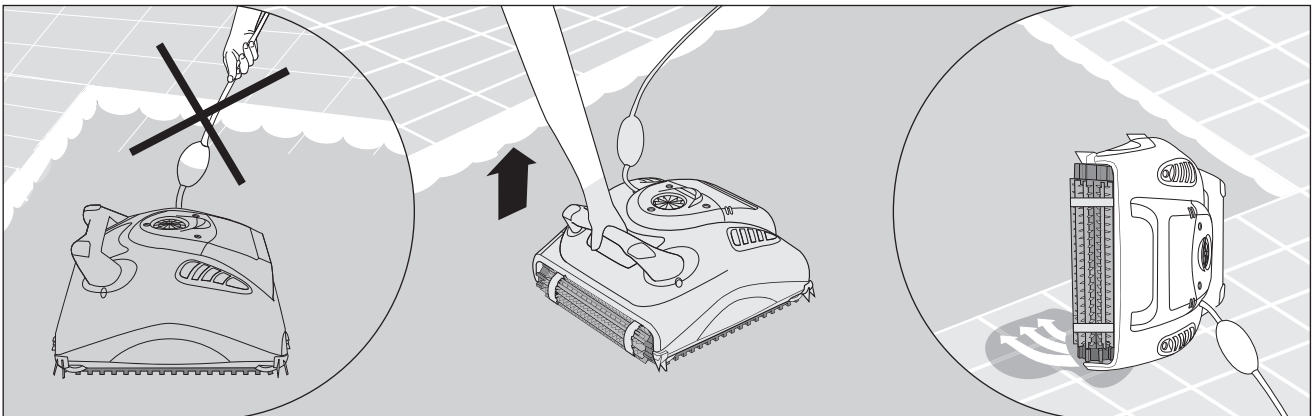
Turn OFF and unplug the power supply.





Using the floating cable, bring the Pool Cleaner to the pool's edge. Using the handle, remove the Pool Cleaner from the pool.

**!** DO NOT PULL THE POOL CLEANER FROM THE POOL USING THE CABLE.



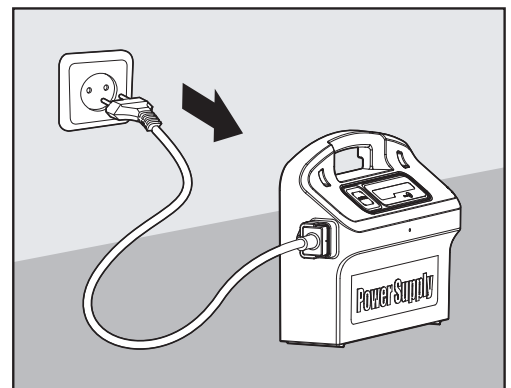
Place the Pool Cleaner on the edge of the pool and let the water drain out.

## 6. CLEANING THE FILTER BAG OR CARTRIDGES

Depending on the model, your Pool Cleaner may be equipped with a filter bag or cartridge. It is recommended to clean the filter bag or cartridge after each cleaning cycle.

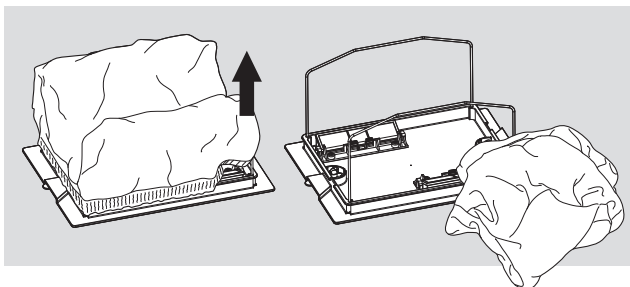
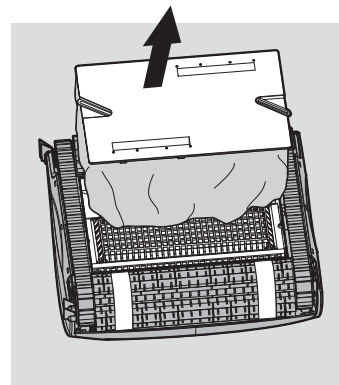
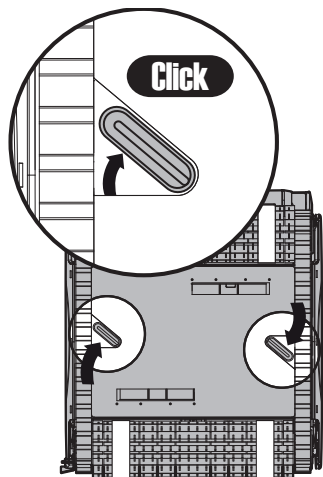
### 6.1. Removing and cleaning the filter bag

**!** Unplug the power supply.



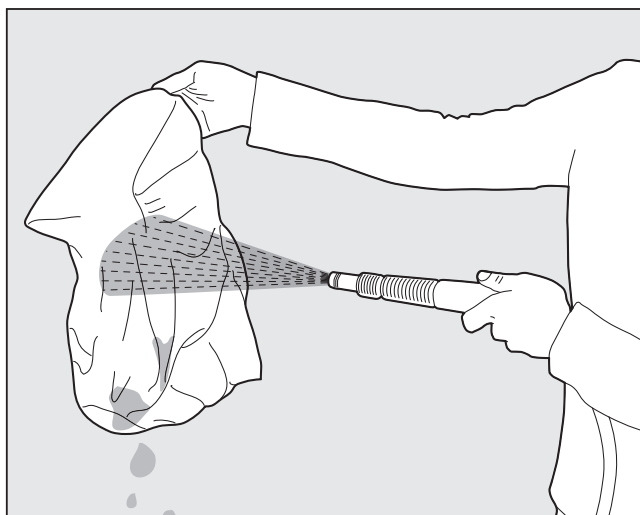


Turn the Pool Cleaner upside-down.  
Open the bottom lid.



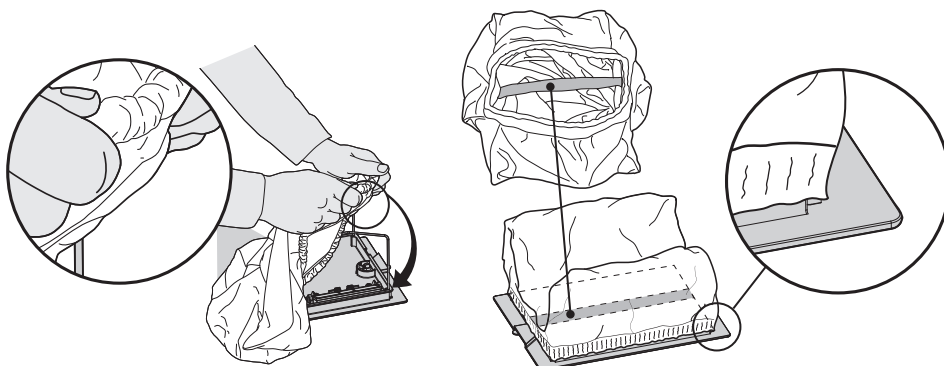
Remove the filter bag.

Clean the filter bag with a hose.  
We recommend that you periodically wash the  
filter bag in a washing machine using the gentle  
cycle program.  
Periodically clean the brushes with a hose.




## 6.2. Replacing the filter bag

Put the filter bag over  
the frame so that the  
strap is in the middle  
of the shortest side.  
Make sure that filter bag  
is positioned properly  
on the frame.

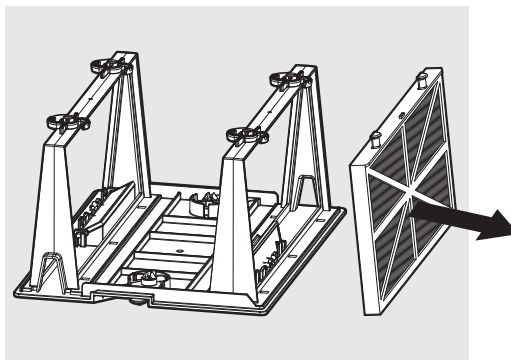
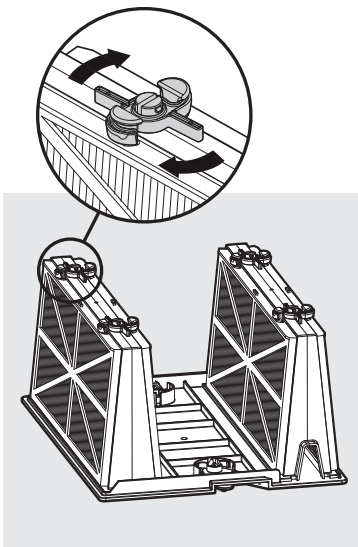
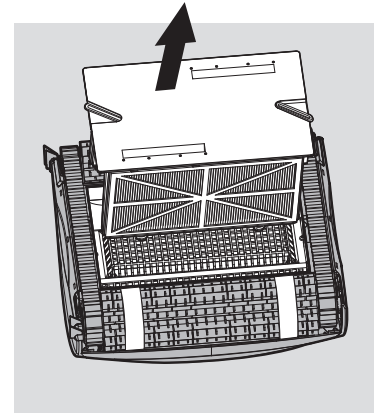
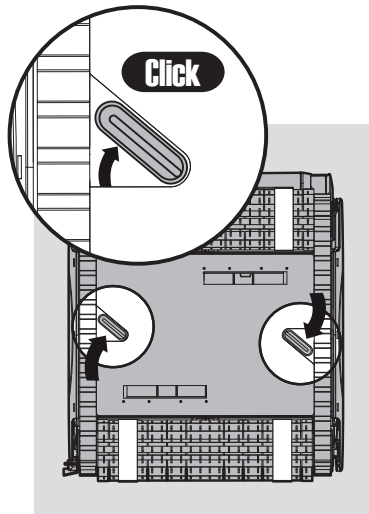


### 6.3. Cleaning the filter cartridges

Note: Don't let the filter cartridges dry out before cleaning.

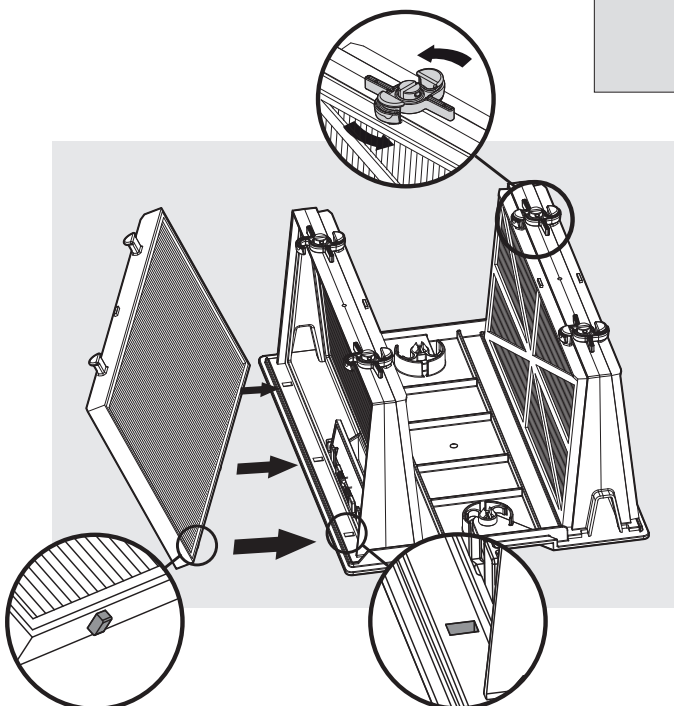
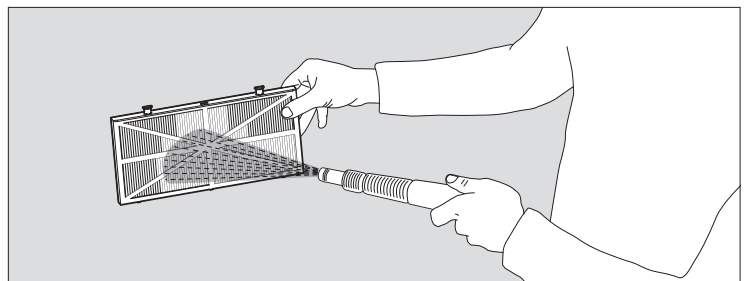
 **Unplug the power supply.**

With the Pool Cleaner upside down open the bottom lid and pull it out.



Open the clips and remove the filter.

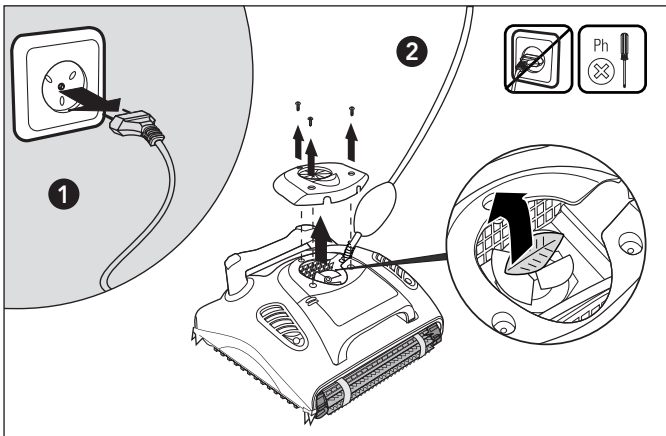
Clean the filters with a hose.




Insert the filters with the plastic backing facing out.  
Insert the cartridge unit.

## 6.4. Cleaning the impeller

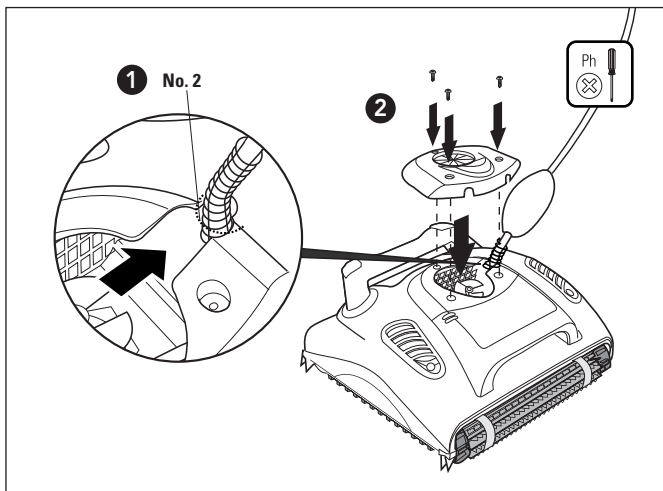
If you notice debris trapped in the impeller open the impeller and remove the debris.



 Unplug the power supply.

Using a screwdriver, remove the screws on the impeller cover and remove it.

Clear any debris that may be in the impeller.



Replace the screws.

## 7. OFFSEASON STORAGE

If the Pool Cleaner will not be in use for an extended period, perform the following storage steps:

- Disconnect the Pool Cleaner from mains
- Make sure that no water is left in the Pool Cleaner
- Thoroughly clean the filter bag or cartridges and insert in place
- Roll up the cable so that it has no kinks and place on the stand
- Store the Pool Cleaner upright on the stand or simply upside down in a protected area out of direct sun/rain/snow at a temperature of between 5°-45°C/41°-113°F