

About The PC Isolation Washer Kit:



FEATURES

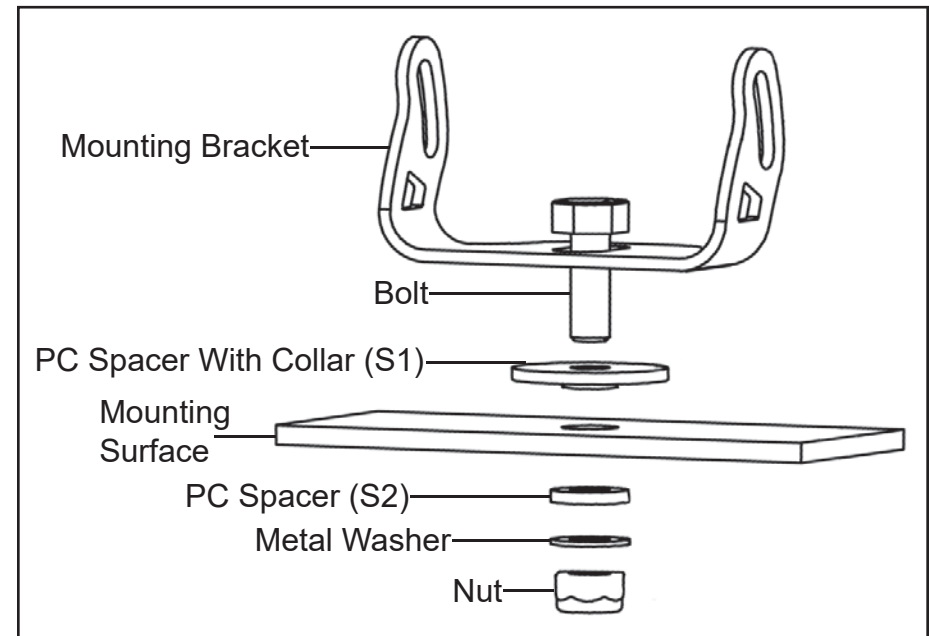
1. Heavy Duty Polycarbonate Spacers
2. Reduct Corrosion of Dissimilar Metals
3. Prolongs Life and Protects Investment

PREPARATION

1. We recommend completely reading instructions before installing.
2. Consult your local state regulatory agency regarding the use of LED lighting.
3. The placement of LED lighting should not restrict airflow to the radiators, block essential access-points, or other lighting sources.

WARNING: Bolts, Nuts, and Washers are Stainless Steel. DO NOT USE Pneumatic or Electric Tools to Tighten and Loosen. The Hardware Will Permanently Lock Together.

PC ISOLATION WASHER KIT



MOUNTING INSTALLATION INSTRUCTION

1. Determine where the light will be placed.
2. Place mounting bracket with light to desired location. Using a marker or pick tool, mark the center point of the bolt hole on the mounting surface.
3. Set the light aside. Drill out a large enough hole to fit the Collar on the PC Spacer.
4. Remove the mounting bracket from the lights by unscrewing or bolting the connective hardware.
5. Place PC Spacer with collar, collar side down into the hole.
6. Line up the mounting bracket with the hole you just drilled, slide the Bolt through the Mounting Bracket, the PC Spacer and the Mounting Surface in that order.
7. On the other side of Mounting Surface, add the PC Spacer (S2), the Metal Washer, and Nylock Nut onto the Bolt.
8. Tighten Nut & Bolt after aiming to your desired torque.
9. Reassemble the light back on the mounting bracket by re-applying the Connective hardware. Aim and tighten to your desired level.