

4.0NC  
3647  
1747R opt.

7033

7019  
4x8 BB

7034

7020  
8x12 BB

7057  
M3/10

7031

7051  
705X opt.

2523  
2.5x10 CCS

7031

3215  
2.5x6 CS

7021

7015

2575  
3x6 BCS

3965  
2.5x8 CS

7015

1834

7021

7021

3236  
2.5x12 CS

7043

3229  
2.5x10 CS

7043

2545  
5x8 PB

7043

3236  
2.5x12 CS

7038  
7038X opt.

7043

7038  
7038X opt.

7043

7043

7043

2545  
5x8 PB

7037

2526  
2.5x12 CCS

3236  
2.5x12 CS

3229  
2.5x10 CS

7155

5123  
4x7 PB

7158

7018  
7018X opt.

5123  
4x7 PB

7158

2577  
3x10 BCS

7022

7030X

7057  
M3/10

7019  
4x8 BB

7021

7079

7030

7030  
2.5x23 CS

7031

2523  
2.5x10 CCS

7057  
M3/10

7043

2545  
5x8 PB

7037

2526  
2.5x12 CCS

7043  
2.5x18 CS

3229  
2.5x10 CS

7155

7158

5123  
4x7 PB

7043

7028  
7018

7158

5123  
4x7 PB

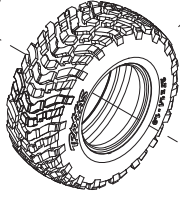
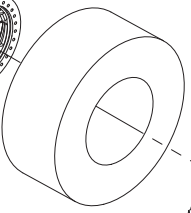
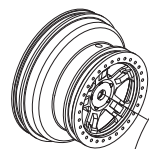
7018  
7018X opt.

7028

7072A  
7072

7073A  
7073

7071



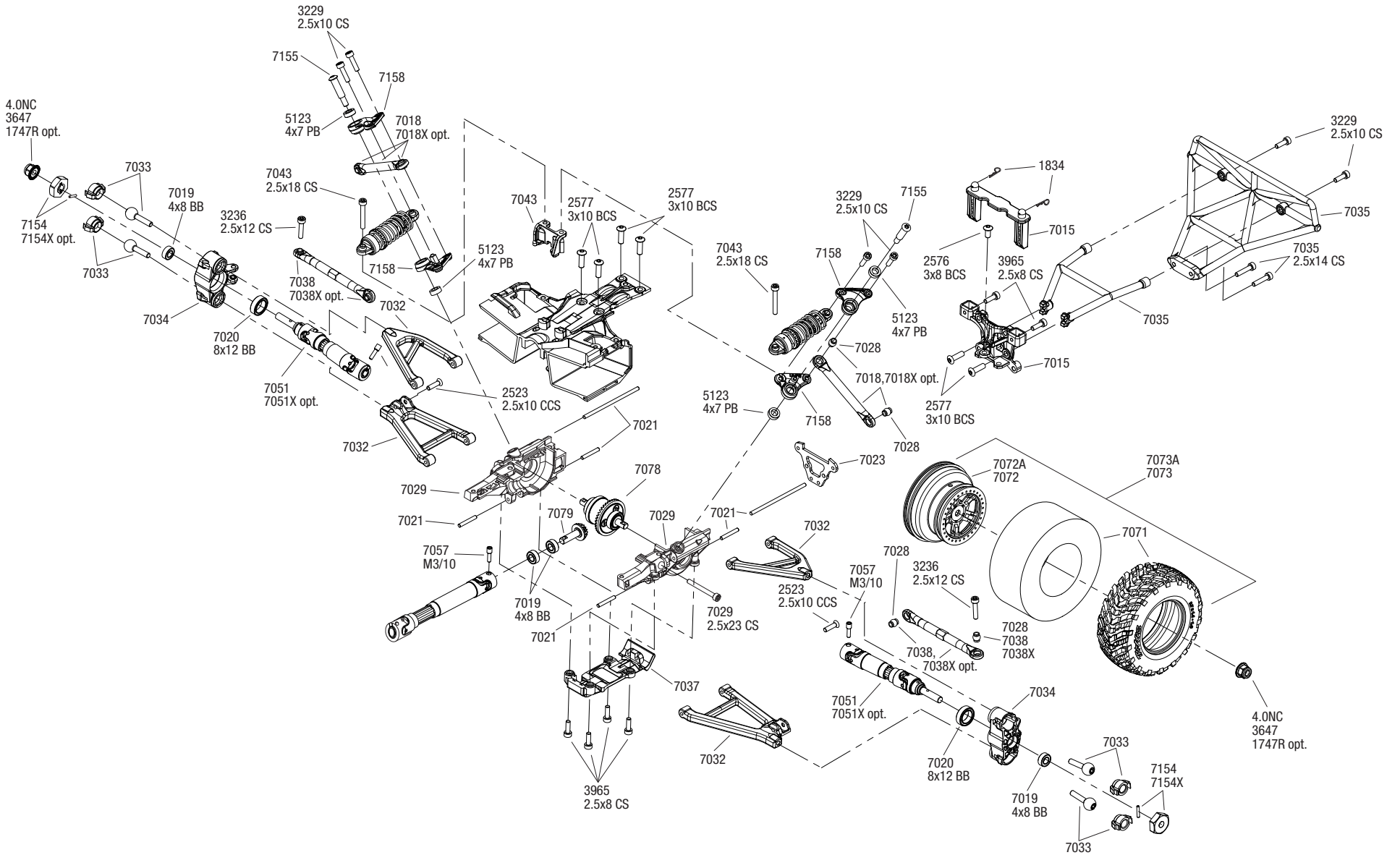
4.0 NC  
3647  
1747R opt.

REV 100319-R01

Specifications on this page are subject to change without notice. Every attempt has been made to ensure the accuracy of this drawing, however Traxxas cannot be held responsible for typographical or other errors.

See Parts List for a complete listing of optional accessories.



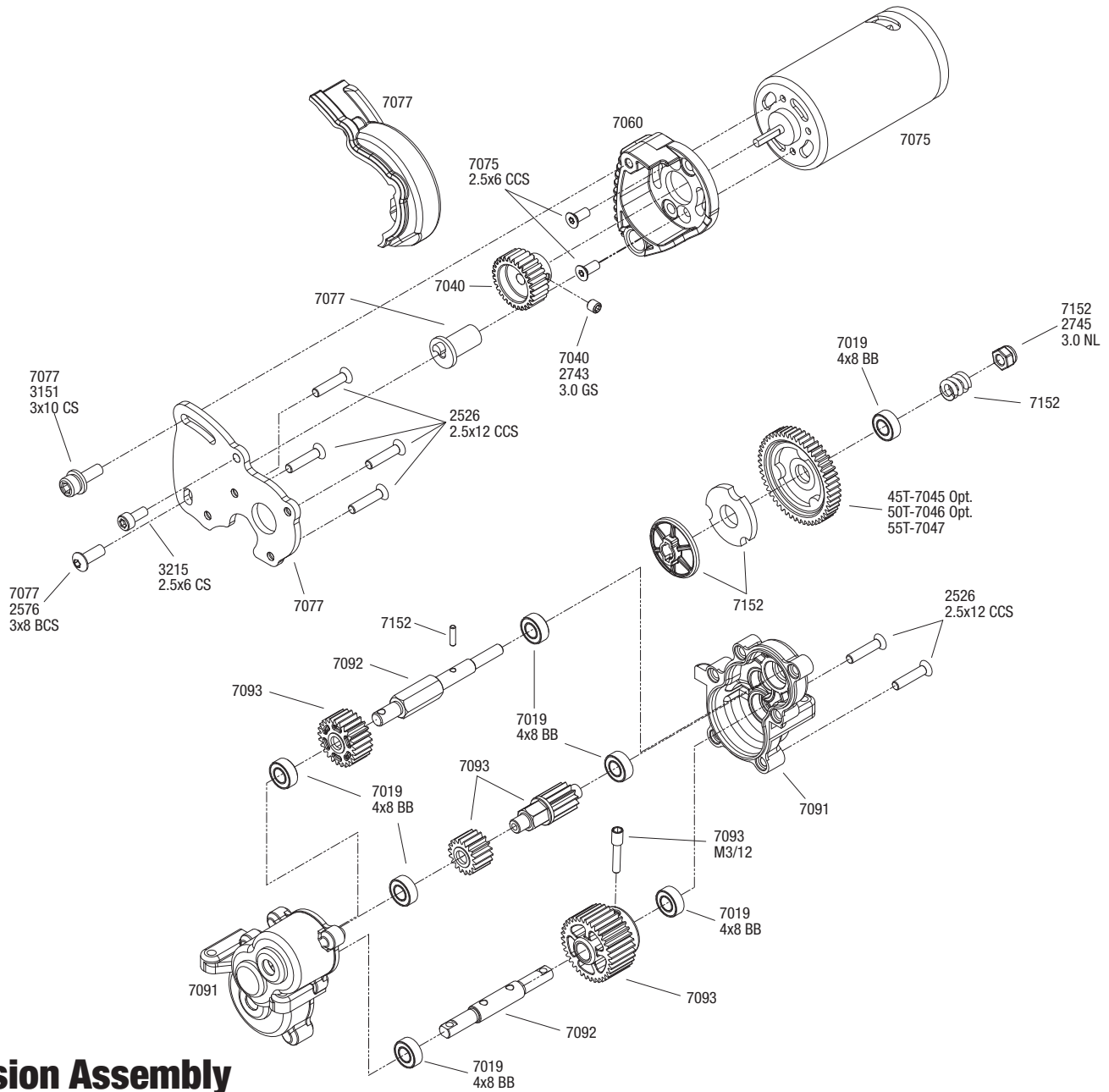


# 1/16 SLASH 4WD Rear Assembly

REV 100319-R01

Specifications on this page are subject to change without notice. Every attempt has been made to ensure the accuracy of this drawing, however Traxxas cannot be held responsible for typographical or other errors. See Parts List for a complete listing of optional accessories.

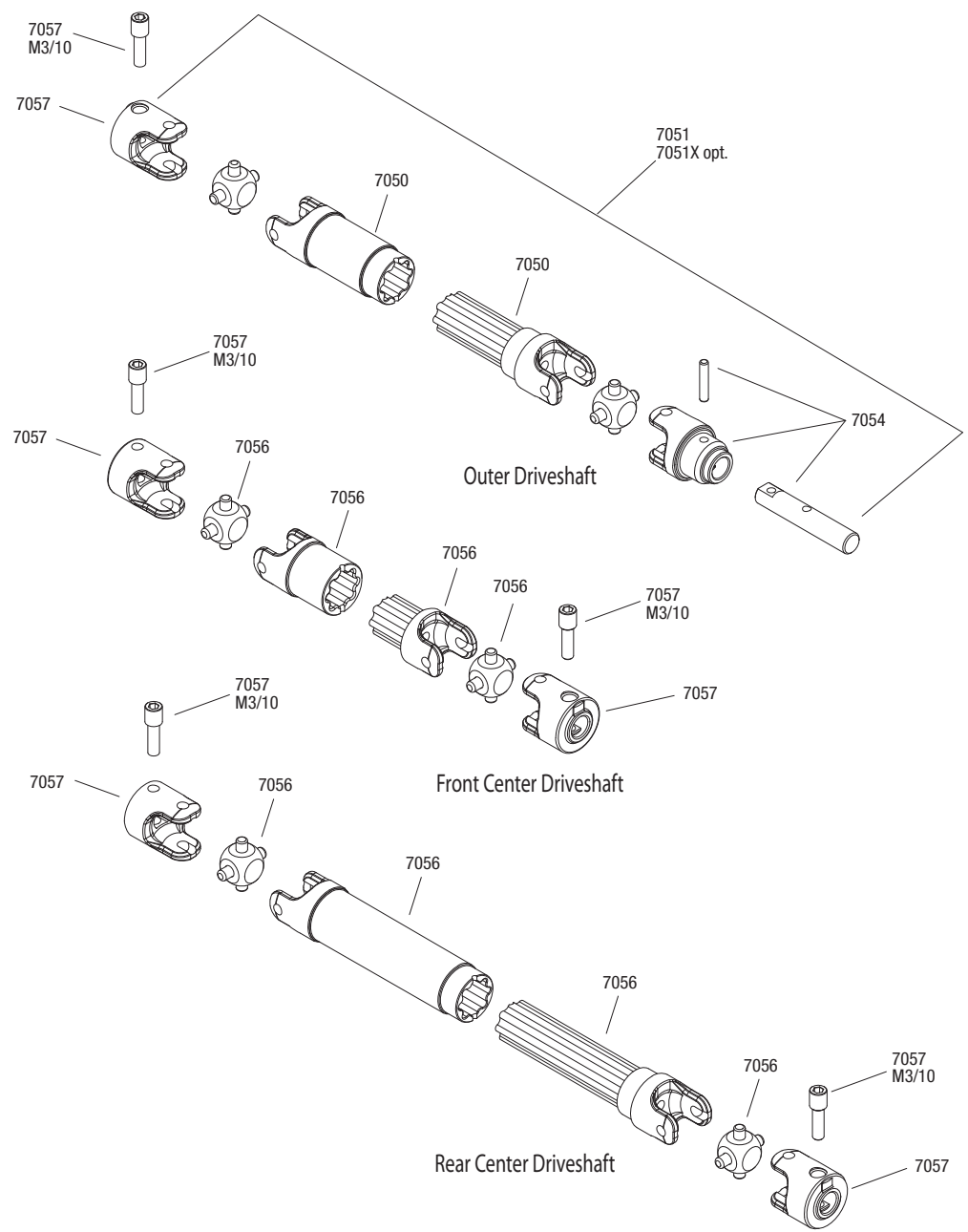
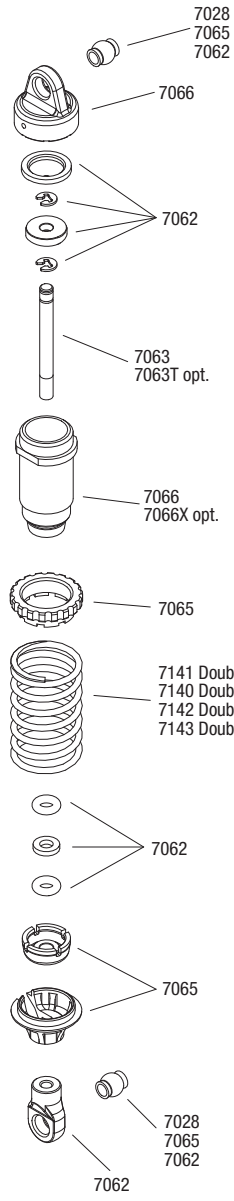




# 1/16 SLASH 4WD

## Transmission Assembly

REV 090420  
 Specifications on this page are subject to change without notice.  
 Every attempt has been made to ensure the accuracy of this drawing, however Traxxas cannot be held responsible for typographical or other errors. See Parts List for a complete listing of optional accessories.



# 1/16 SLASH 4WD

## Driveshaft Assembly

REV 100319-R01  
Specifications on this page are subject to change without notice.  
Every attempt has been made to ensure the accuracy of this drawing, however Traxxas cannot be held responsible for typographical or other errors. See Parts List for a complete listing of optional accessories.