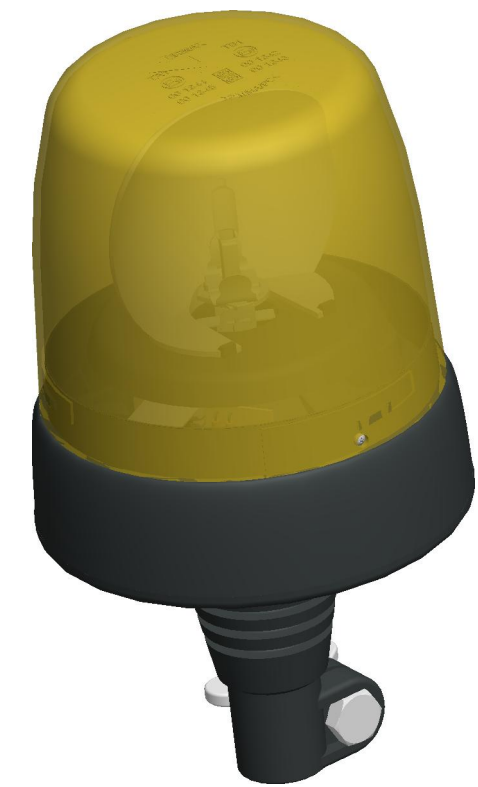
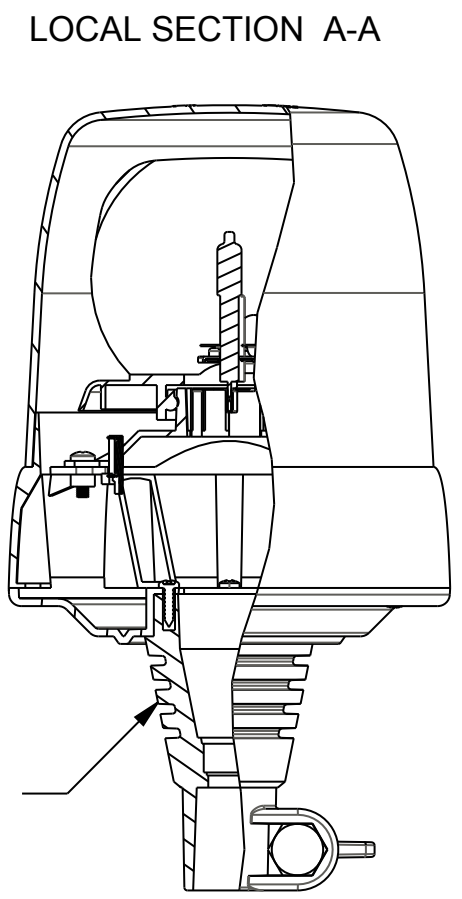
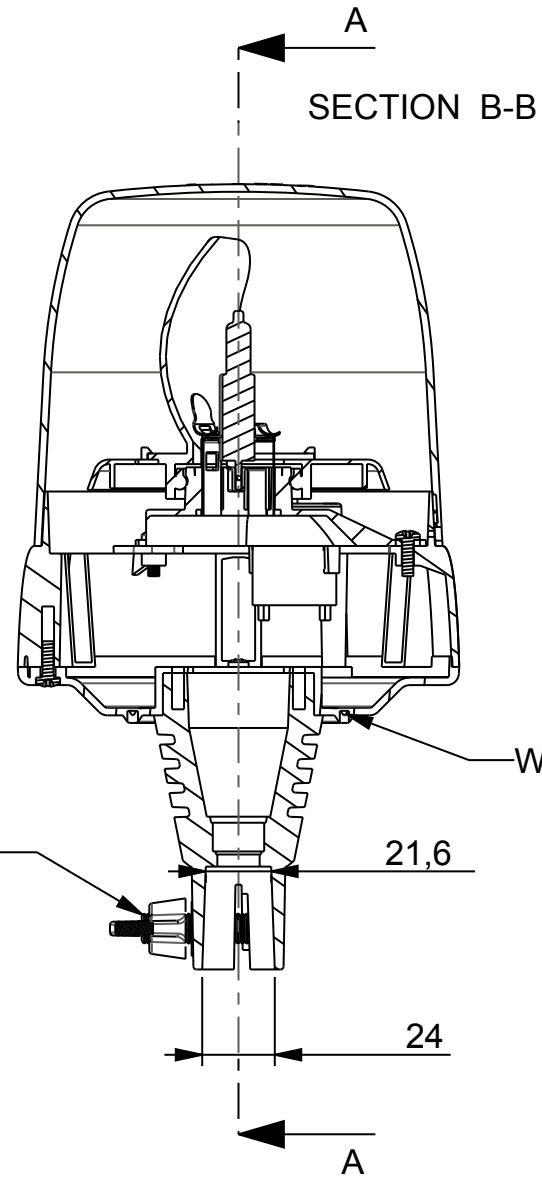
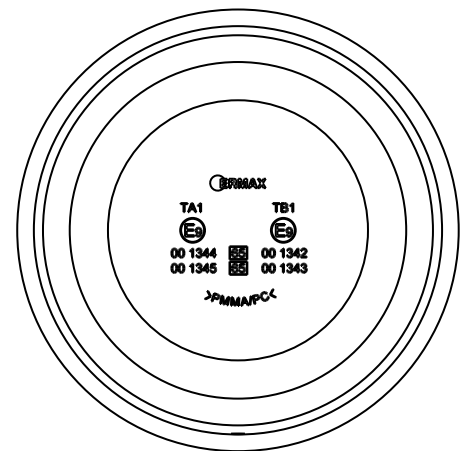
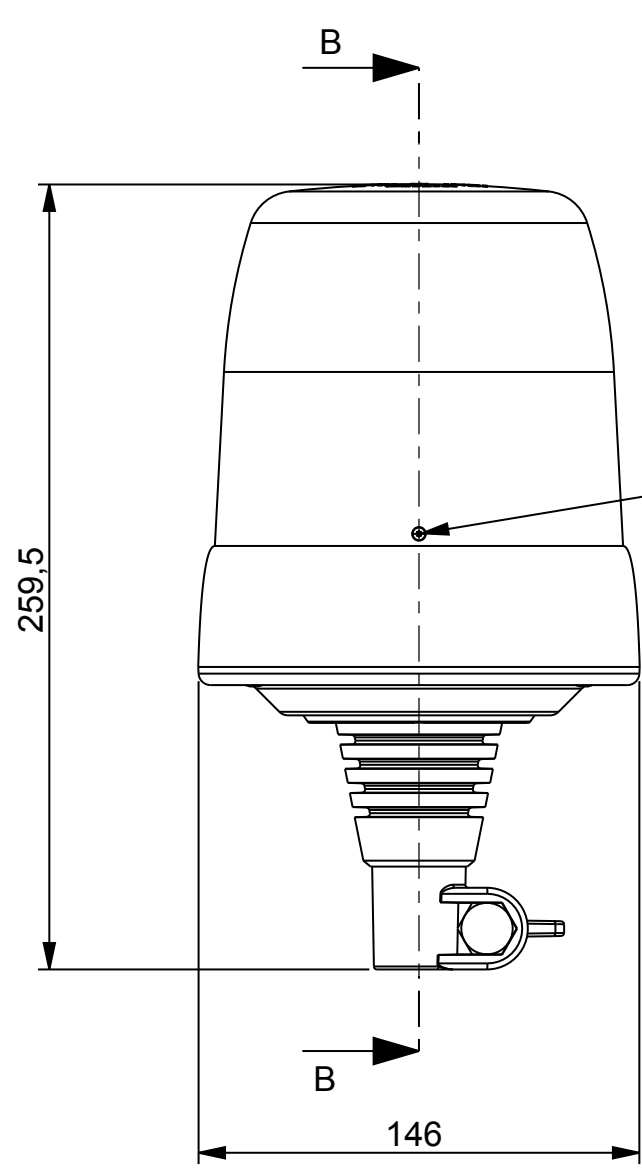



A  
B  
C  
D  
E  
F  
G



**LEGAL REQUIREMENTS:**  
SPECIAL WARNING LAMP TO ECE Reg. 65  
Rotating Beacon Cat. T

**BULB:**  
TO ECE REG. 37  
H1 12V/55W OR 24V/70W

**MATERIAL:**  
LENS: PC COLOR AMBER OR BLUE  
BASE: ABS COLOR BLACK  
REFLECTOR: PC METALIZED  
MOTER BASE: POM COLOR BLACK  
REFLECTOR BASE: POM COLOR BLACK  
ROTATING RING: POM COLOR BLACK  
ROTATING RUBBER: FORPRENE 55 COLOR BLACK  
EXTENSION FLEXIBLE BASE: ABS  
FLEXIBLE RUBBER BASE: APIGO 55  
TUBE BASE: PP+30% FIBRE GLASS  
BULB CLAMPS: C67 STEEL  
BULBHOLDER BLADE1: GALVANISM SHEET 0.8mm  
BULBHOLDER BLADE2: BRASS SHEET 0.5mm  
SHPERULE: CHROME STEEL

GENERAL	TOLERANCES	UNLESS NOTED	 <b>461 SERIES ROTATING BEACON</b>	
.XXX	.XX	ANGLES		
DRAWN		DATE	SIZE	DRAWING NAME
CHECKED		DATE	<b>A3</b>	<b>COMPLETE BEACON</b>
APPROVED		DATE	SCALE	0.400
			TYPE	SHEET 1/1