
MANUAL AND INSTRUCTION

WESTBO VICTORIA 240



Westbo of Sweden

How to use the stove

Air Controls

Westbo Victoria is equipped with one air control located under the stove, see picture to the right.

Fire up

We recommend you to use fire starters or equivalent that you find at your dealer.

By using them, you get a quick lit up of your wood and cleaner combustion.

Never use lighter fluid. Place some thin wood together with a couple of fire starters in the burning chamber. Open the primary air control, it is located under the stove

Now lit up.

Keep the door open a little, after a while when burning well, close the door.

Continuous firing

Operate the fire with the air control.

The conditions for controlling combustion differ depending on the temperature in the burning chamber and the draught in the chimney. This you will find out more after using the stove a couple of times.

A recommended amount of wood per hour is 1,5 to 3 kilo.

Smell

At the first firing, a certain smell might occur. This depends on the coating. The smell will disappear after a few fires.

Emptying the ashes

The ashtray is accessed by opening the door (D) .Open the grate by pulling the grate lever rakes down the ashes. Empty the ash tray in a safe place.

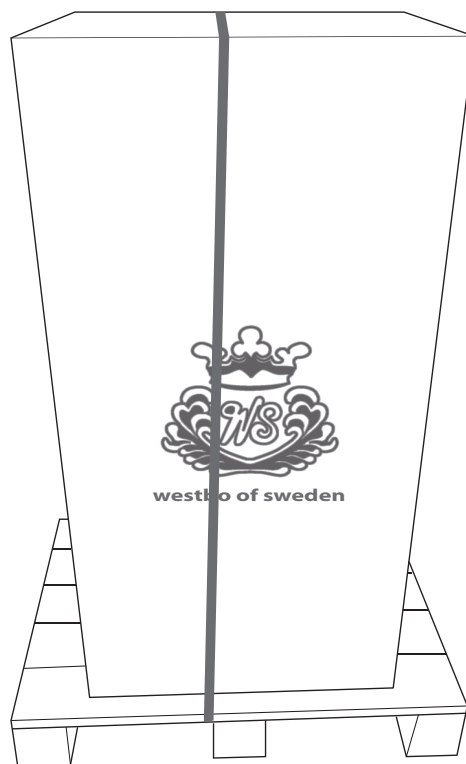
NOTE: The ash can contain embers several days after the fire.

Cleaning glass

There are special glass cleaners available at your dealer. Do not use abrasive cleaners.

Chimney fire

In case of chimney fire, all doors and air controls shall be closed. If necessary contact the authorities.



Victoria has adjustable feet.



Westbo of Sweden

Preparation of the stove

Cut the plastic strap that holds the carton. Lift the carton and check that the stove is not damaged. Please keep in mind that transport damages must be notified to the transport company.

Lift the stove in place.

Under the stove you'll find the crown.

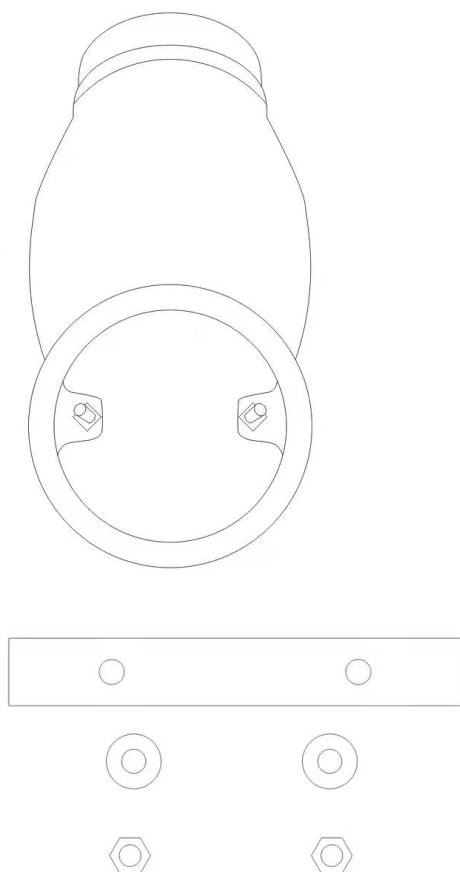
Do not put on the crown until the stove has been installed.

Westbo Victoria has adjustable feet so you can adjust the stove to the right level, if the floor is not flat.

Westbo Victoria is standard connected to the rear. If you like to connect upwards you need to buy an additional adapter that goes from the rear to up. See picture.

Connection to a new chimney, follow the instructions from the chimney supplier.

Victoria can be connected on the back or back/top with collar.



Westbo Victoria can as standard only be connected backwards.

The collar is 125 mm in diameter. For connection back/top a special adapter must be purchased.

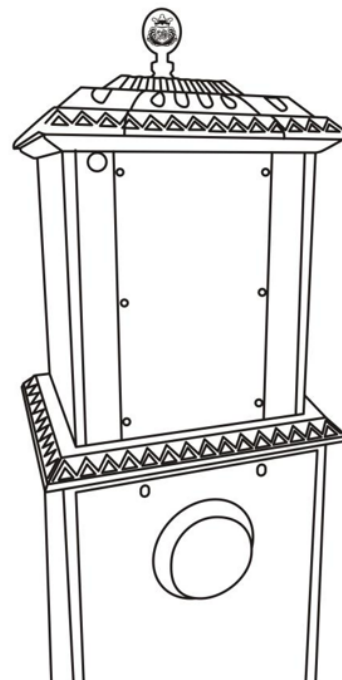
Connection to an existing chimney

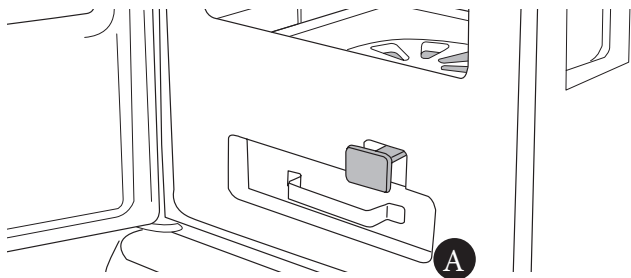
Before you start it is important that you let the chimney sweeper inspect your chimney.

This is because you must make sure it is tight and properly dimensioned for the stove.

Make your connection in the following order:

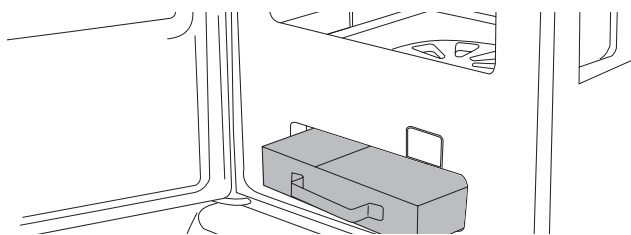
1. Measure out the centre of the hole.
2. Use suitable tools to make the hole.
3. We recommend that you use a flue spigot.
4. Insert the flue pipe into the spigot then connect with the stove seal between the spigot and flue pipe (preferably seal rope) The pipe should not go into the actual chimney, cut if necessary. Apply additional sealant for other joints.
5. **Important!** If your connection kit includes a rosette collar to cover the hole in to the chimney, put it on before connecting the stove.
6. Contact the chimney braker master for an inspection.



**Emptying the ash container**

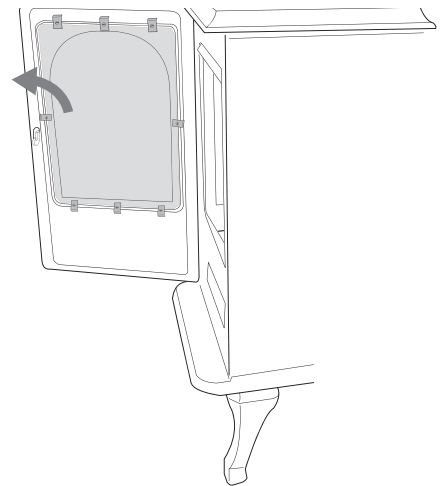
Open the tray with the lever (A) and put the ash in the ash container.

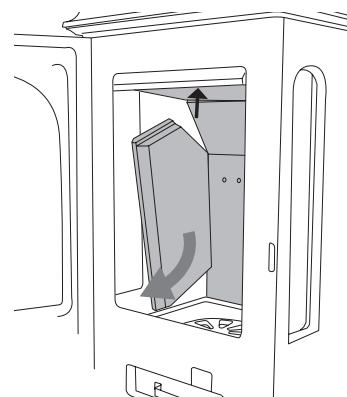
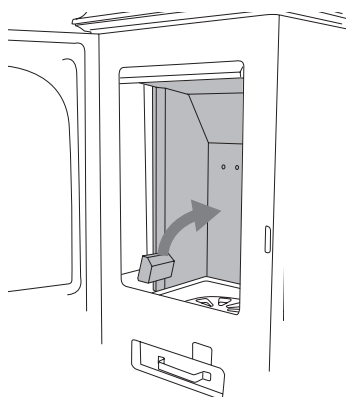
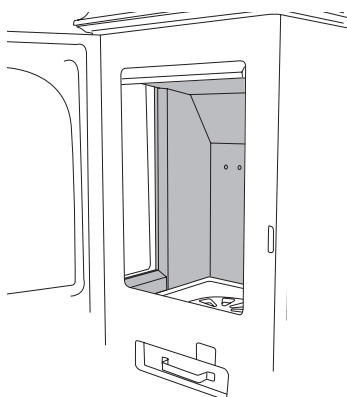
NOTE! The ash can contain embers several days after the fire.

**Replace the front glass**

Remove the clips that hold the glass in place and then install the new glass.

Sealing string, replace if necessary.

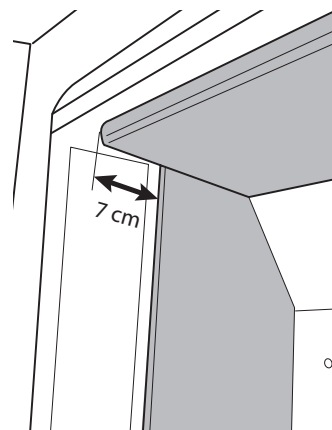
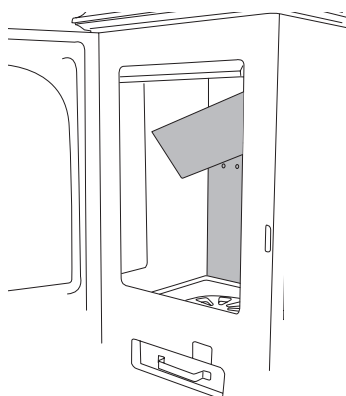
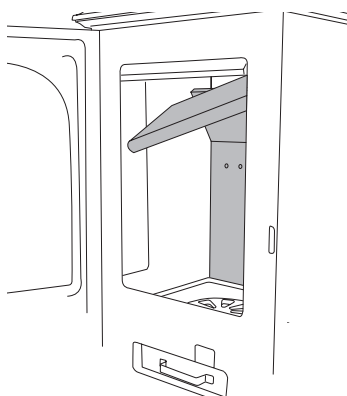




When sweeping it is a must to remove the two smoke shelves from the stove. You can also use this instruction if some of the vermaculite details needs replacement.

1. Start with the small side-brick.

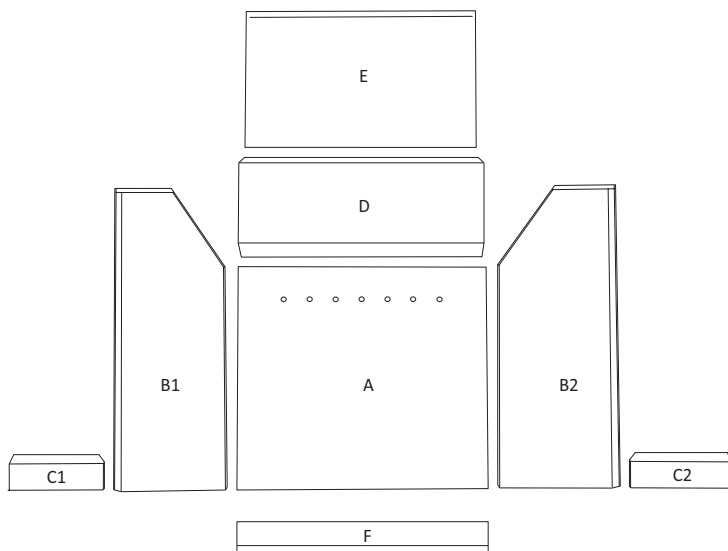
2. Then remove the big side-brick by lifting the roof brick that locks the big-side brick.



3. Take down the roof-brick.

4. Remove the angle-brick Now it's easy to remove the rest of the bricks.

5. To assemble again, just do it in reverse order



- A - Back-brick
- B1 - Left big side-brick
- B2 - Right big side-brick
- C1 - Left small side-brick
- C2 - Right small side-brick
- D - Angle-brick
- E - Roof-brick
- F - Front-brick



Air supply

Westbo Victoria is equipped with one air control.

Emptying the ashes

The ashtray is accessed by opening the lower door. You can shake down the ash from the burning chamber by using the grate lever on the left (this open and closes the grate) Empty the ash tray in a safe place.
NOTE! The ash can contain embers several days after the fire.

Cleaning glass

There are special glass cleaners available at your dealer. Do not use abrasive cleaners.

Smell

At the first firing, a certain smell might occur. This depends on the coating.

The smell disappears after a few fires.

Fire up

We recommend you to use fire starters or similair that you find at your dealer.

By using them, you get a quick lit up of your wood and cleaner combustion.

Never use lighter fluid.

Place some thin wood together with a couple of fire starters in the burning chamber.

Open the primary air control on the lower door or in some cases you may have to keep the lower door open to get the fire going. Be aware to also have the grate open at this stage.

Keep air control 1 closed and control 3 open (3-4mm).

Now lit up.

After a while when burning well you can close the air supply from underneath by closing the lower door, air control 2 and the grate.

From now on you don't need any air supply from underneath the fire to reach the best possible efficiency and performance of the stove.

Continuous firing

1. Operate the fire with air control 3 and 1.

You will mainly control your rate of combustion with the air control. The conditions for controlling combustion differ depending on the temperature in the burning chamber and the draught in the chimney.

This you will understand more after using the stove a couple of times. When the stove is getting hot you may open the air control 1 by 1-2 mm to have the best possible efficiency and clean burning.

A recommended amount of wood per hour is 1.5 to 3 kilos.

NOTE! It is important to get a quick over ignition of the wood. Do not close the glass door before there is a fire.

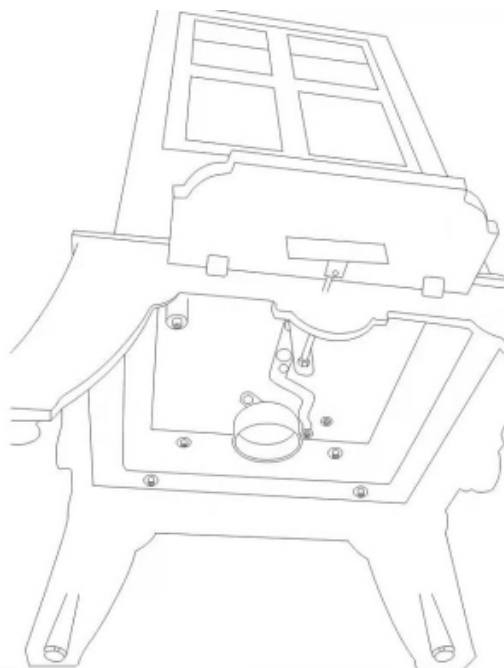
When filling up wood, open the glass door carefully to avoid smoke. Do not refill as long as there a fire that is burnig nice and well.

Sweeping

Sweeping must be done by a chimney sweeper. Sweeping of the stove could be done by scraping or/and brushing. Best way to perform the sweeping is by a soot vacum cleaner, and that both shelves are removed when sweeping.

Chimney fire

If a chimney fire starts or is supposed to start, damper and hatchers needs to be closed. Contact if necessary the fire brigade to stop the fire. The chimney always needs to be inspected after a chimney fire.



Preparation

You will get the best wood if it is cleared, sawn and splitted before the month of May. Remember to adjust the wood to your stove. We recommend a diameter of 6-10 cm and that the logs are six cm shorter than the fire place to get the best effect of the wood and stove.

Storage

The sawn wood and splitted wood should be stored in a dry place for 1-2 years before it is used. Before use, store the wood for some days in room temperature. Remember that wood during Autumn and Winter is sensitive for air moisture.

Moisture

To avoid environmental problems and to get best economy when fire-ring, the wood must be dry before it is used as fuel. The wood must not have more than 21% moisture. The best efficiency is obtained by moisture 15-18%. A simple test of the wood is to beat two wood logs against each other. If the wood consists of too much moisture you'll get a numbly sound.

If you fire up with wood that consists of too much moisture a large amount of the heat will be used to evaporate the water. The stove will therefore not get the correct temperature and it will not give any heat to the room. This is of course uneconomic and could generate soot on the glass, stove and chimney. The environment also gets contaminated by using wood that is not dry.

Correct amount of wood

How much is one kilo of wood? There are lots of good litterature to get more educated in wood handling.

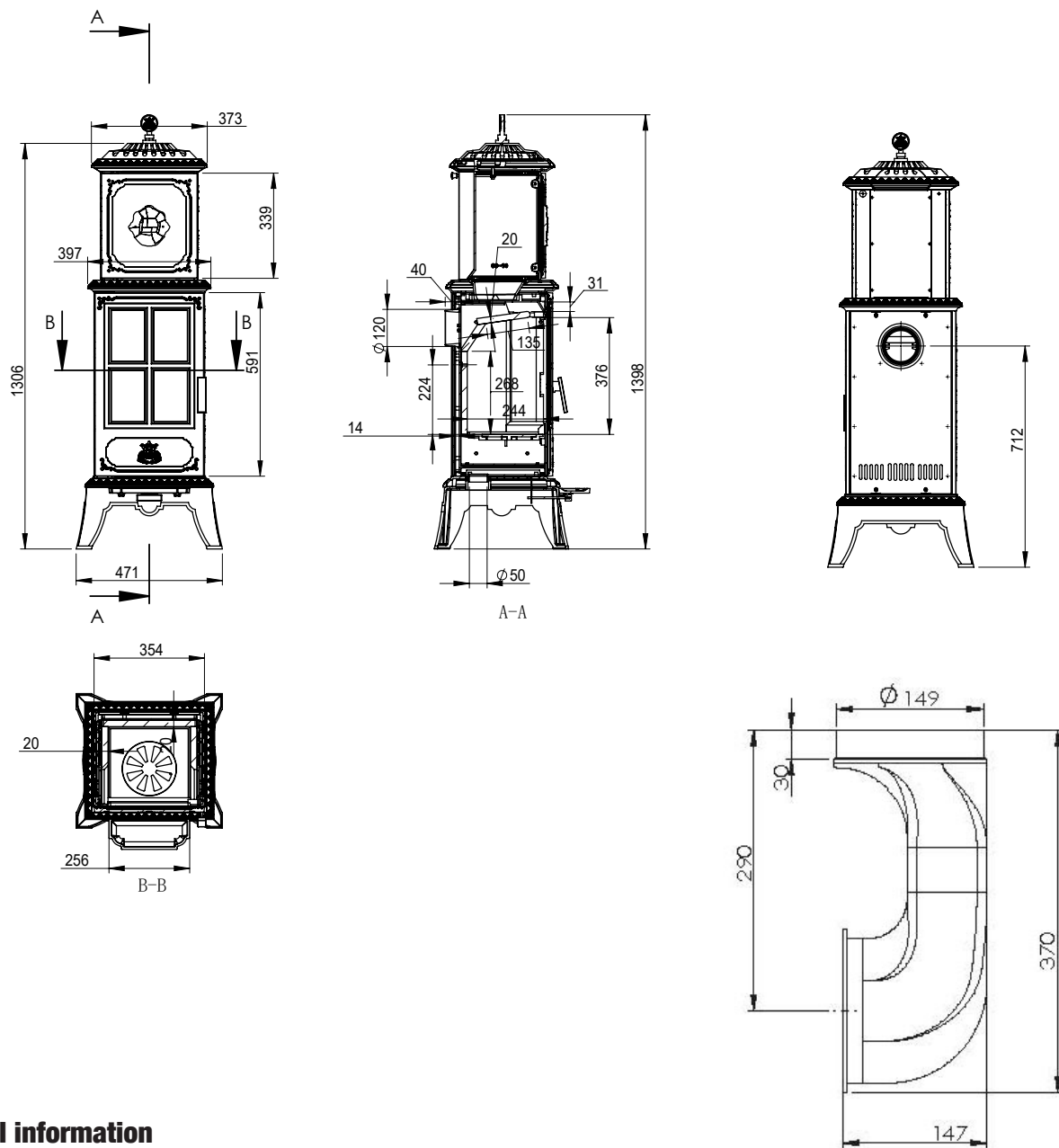
It is absolute forbidden to use

Painted, pressure impregnated or glued wood. You are not allowed to fire chipboards, plastic or impregnated paper. The substances in this material are harmful both for the environment and the stove. Your chimney can also be affected by these substances. To explain it in a simple way - just use wood for your stove.

The calorific value

The calorific value in the wood differ from different kinds of wood. For some spieces of wood you have to use a bit more to get the same amount of wood as on other wood spieces. In our fire instructions we have used birch wood, which has a large calorific value. We strongly recommend this kind of wood. If you use oak or beech please keep in mind that this wood has a larger calorific value than birch. You must therefore reduce the number of wood in the stove, or you risk damages on your stove. Pine and ferr has a lower calorific value compared to birch.





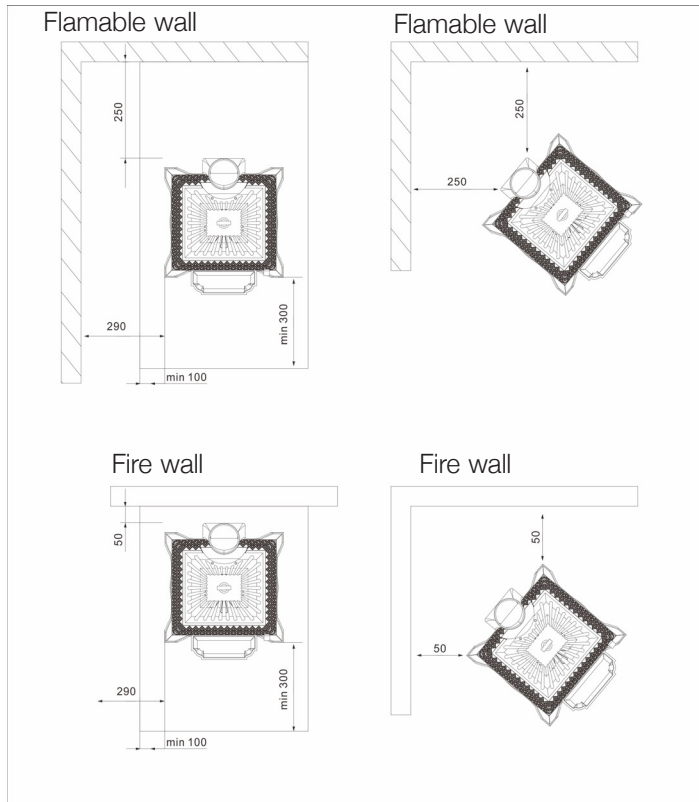
Technical information

Weight
 Material
 Medeleffekt
 Efficiency
 CE-approved

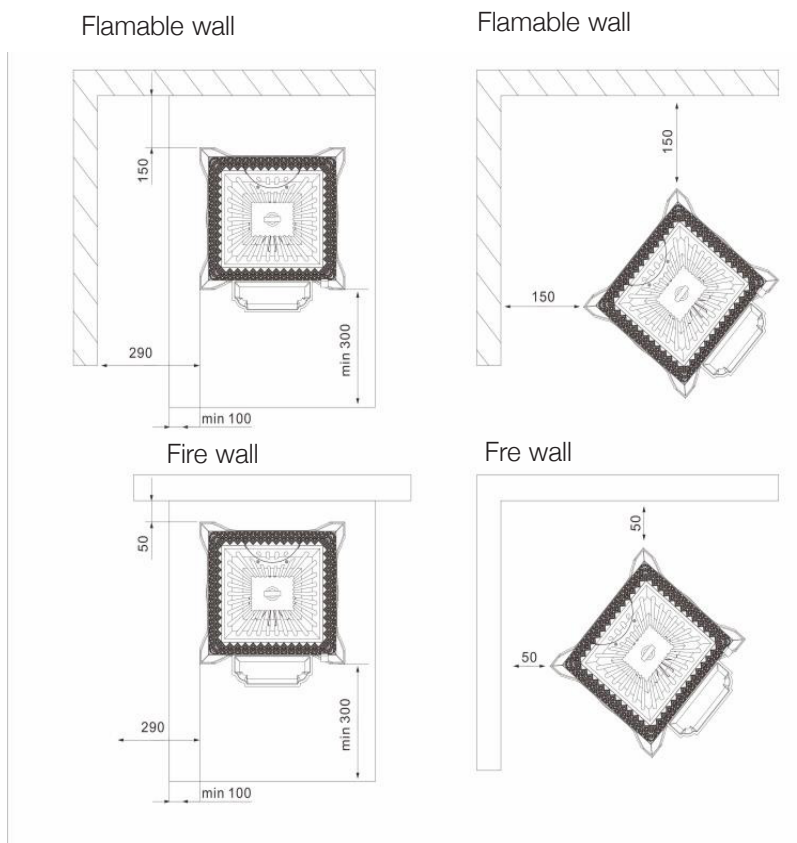
175 kg
 Cast iron
 4,6 kW
 81 %
 EN 13240/A2
 2004/AC: 2006



Westbo of Sweden



Back connection





westbo of sweden

WARRANTY

Westbo of Sweden has a 10 year stove casting warranty and a 1 year warranty concerning natural wear and tear of articles of consumption such as firebricks, vermiculite, grates, glass, handles and rope seal.

The warranty is only valid if the stove has been used in a proper way according to the instructions and will not be valid if any extreme or careless handling has occurred like overheating, wrong fuel or too much wood etc.

Westbo of Sweden is obligated to provide new parts/stove if any defects covered by the warranty occurred, but takes no responsibility for removal or installation costs for the exchange.

The warranty covers only the product and the buyer is not entitled to compensation for any personal or property damage.

Yours sincerely
Mattias Gunnarsson
Managing director

**Declaration of performance according regulation (EU) 305/2011
No 2022-09-22**

No.	Essential characteristics according to regulation (EU) 305/2011	Statement by the manufacturer
1	Unique identification code of the product-type	Freestanding roomheater „Westbo Victoria 100/240/Nobel“
2	Intended use(s)	Roomheater without hot water supply
3	Trademark and contact address of the manufacturer	Westbo of Sweden AB Industrigatan 8, S-333 75 Reftele, Sweden
4	Contact address of the authorized representative	Mattias Gunnarsson Westbo of Sweden AB Industrigatan 8, S-333 75 Reftele, Sweden
5	System(s) of assessment and verification of constancy of performance of the construction product	System 3
6	Notified laboratory performed the determination of the product-type under system 3 and issued the test report	Rhein-Ruhr Feuerstätten Prüfstelle GmbH, NB-No.: 1625, test report no. RRF – 40 19 3772-1
7	Harmonized technical standard	EN 13240:2001 /A2:2004/AC:2007
8	<u>Essential characteristics</u>	<u>Performance</u>
	Fire safety	pass
	Reaction to fire	A1 acc. EN 13501-1
	Distance to combustibles	Minimum distances (d) to combustible materials Back (d) = 150 mm Side (d) = 450 mm Ceiling (d) = --- mm Floor (d) = 0 mm Window in the front (d _P) = 800 mm Window in the side (d _S) = 450 mm
	Risk of burning fuel falling out	pass
	Cleanability	pass
	Emission of combustion products	pass CO = 0,08 % / = 1000 mg/m ³
	Flue gas temperature at nominal heat output in the measurement section	245°C
	Flue gas outlet temperature at nominal heat output	294°C
	Surface temperature	pass
	Electrical safety	not applicable
	Release of dangerous substances	NPD
	Maximum operating pressure	not applicable
	Mechanical resistance (to carry a chimney/flue)	NPD
	Thermal output/Energy efficiency	pass
	Nominal space heat output	4,6 kW
	Nominal room heat output	4,6 kW
Nominal water heat output	not applicable	
Efficiency	η = 81 %	
9	The performance of the product identified in points 1 and 2 is in conformity with the declared performance in point 8. This declaration of performance is issued under the sole responsibility of the manufacturer identified in point 4.	

Signed in responsibility of the manufacturer

Mattias Gunnarsson

Name

Reftele, 2022-09-22

Place and date

Sign / stamp

Product fiche
according to Regulation (EU) 2015/1186

Roomheater Westbo Victoria 100/240/Nobel	
Supplier's name or trademark	Westbo of Sweden AB Industrigatan 8 S-333 75 Reftele, Sweden
Supplier's model identifier	Westbo Victoria 100/240/Nobel
Energy efficiency class of the model	A+
Direct heat output (kW)	4,6
Indirect heat output (kW)	---
Energy efficiency index (EEI)	107
Useful energy efficiency at nominal heat output (%)	81,0
Specific precautions that shall be taken when the local space heater is assembled, installed or maintained	<ul style="list-style-type: none"> - Please read and follow the manual and instructions! - Distances to combustible materials and fire protection must be observed! - Sufficient combustion air must be able to flow into the fireplace!

Characteristics when operating with the preferred fuel

Item	Symbol	Value	Unit	Item	Symbol	Value	Unit
Heat output				Useful efficiency (NCV as received)			
Nominal heat output	P_{room}	4,6	kW	Useful efficiency at nominal heat output	$\eta_{h,room}$	81,0	%
Minimum heat output (indicative)	P_{min}	[N.A.]	kW	Useful efficiency at minimum heat output (indicative)	$\eta_{h,min}$	[N.A.]	%
Auxiliary electricity consumption				Type of heat output/room temperature control (select one)			
At nominal heat output	$P_{el,max}$	[N.A.]	kW	single stage heat output, no room temperature control	yes		
At minimum heat output	$P_{el,min}$	[N.A.]	kW	two or more manual stages, no room temperature control	no		
In standby mode	$P_{el,standby}$	[N.A.]	kW	with mechanic thermostat room temperature control	no		
				with electronic room temperature control	no		
				with electronic room temperature control plus day timer	no		
				with electronic room temperature control plus week timer	no		
				Other control options (multiple selections possible)			
				room temperature control, with presence detection	no		
				room temperature control, with open window detection	no		
				with distance control option	no		
Permanent pilot flame power requirement							
Pilot flame power requirement (if applicable)	P_{pilot}	[N.A.]	kW				

Specific precautions that shall be taken when the local space heater is assembled, installed or maintained	<ul style="list-style-type: none">- Please read and follow the manual and instructions!- Distances to combustible materials and fire protection must be observed!- Sufficient combustion air must be able to flow into the fireplace!
Contact details	<p>Westbo of Sweden AB Industrigatan 8 S-333 75 Reftele Sweden Tel. +46 371 23330 info@westbo.net www.westbo.net</p>

Reftele, 2022-09-22



(Mattias Gunnarsson)