

---

# MANUAL AND INSTRUCTION

---

## WESTBO VICTORIA 85



Westbo of Sweden

### Preparation of the stove

Cut off the strap that holds the cardboard in place around the stove. Lift off the cardboard box and check that the stove is undamaged.

Transport damage must be reported direct to the transport company.

Lift the stove off the pallet. The top crown is placed under the stove. The feet are adjustable and could be adjusted if the level differs on the surface. Check this before doing the measurements for hole making. Proceed to the next step.

### Connection to new chimney

Follow the instructions from the chimney supplier.

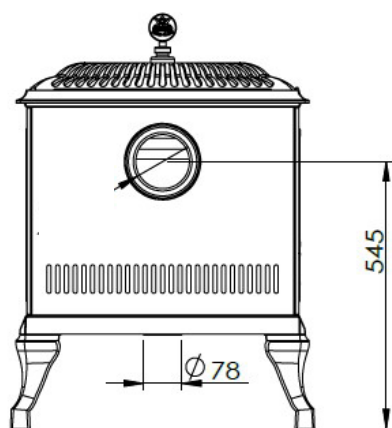
The stove can only be connected backwards in the original version, as optional it can be connected upwards by using back/top flue collar.

### Connection to existing chimney

Before starting interventions in the smoke channel, it is important to let an expert check and inspect. This to be sure that it is dense and properly dimensioned for the stove.

Before start it is important to let the chimney sweeper inspect your chimney. Do it in the following order:

1. Measure the centre of the hole
2. Use suitable tools to make the hole
3. We recommend you to use a flue spigot
4. Insert the flue pipe into the spigot. Then connect with the stove seal between the spigot and the flue pipe (preferably seal rope). The pipe should not go into the actual chimney, cut if necessary. Apply additional sealant for other joints.
5. Important! If your connection kit includes a rosette collar to cover the hole into the chimney, put it on before connecting the stove.
6. Contact the chimney sweeper for inspection.



### Building notification

Before installation of the fire place and construction of a chimney, it is a demand to do a building notification. For piece of advise, contact your local authorities.

### When receiving the stove

When the stove is received it is important to check the goods to see that the stove is not damaged during the transport. Damages should be notified to the freight company immediately.

### Floor protection

The floor protection prevents the floor in front of the stove from sparks. Check your local regulations by your domestic authorities. The floor protection could consist of 0,7 mm metal sheet, glass, tiles, natural stone etc.

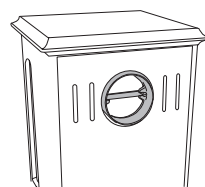
**Please read this folder carefully.**

## Good luck with your new Westbo Victoria 85

### Westbo of Sweden



The Westbo Victoria 85 has adjustable feet.



Westbo Victoria 85 is preassembled at the factory with the connection to the rear.



**Westbo of Sweden**

## How to use

### Air controls

Westbo Victoria 85 is equipped with one air control and it is located under the stove, see picture on the right.

### Fire up

We recommend you to use fire starters or equivalent. By using them, you'll get a quick lit up of your wood and cleaner combustion. Never use lighter fluid. Place some thin wood together with a couple of fire starters in the burning chamber. Open the primary air control, located under the stove, see picture on the right.

Now lit up.

Keep the door open a little, after a while when burning you can close the door.

### Continuous firing

Operate the fire with the air control.

The conditions for controlling combustion varies, depending on the temperature in the burning chamber and the draught in the chimney. This you will understand more after using the stove a couple of times.

A recommended amount of wood per hour is 1,5 to 2 kilo.

### Smell

By the first firing a certain smell might occur. This depends on the coating on the stove. The smell disappears after a few fires.

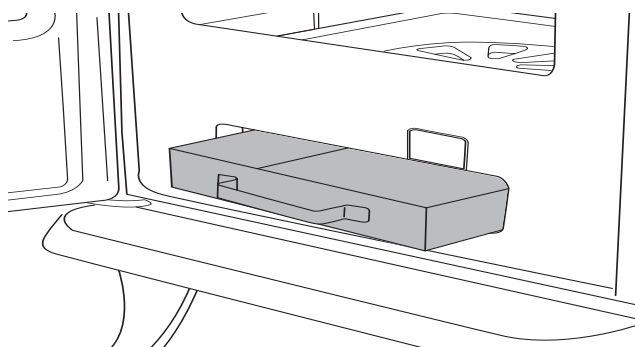
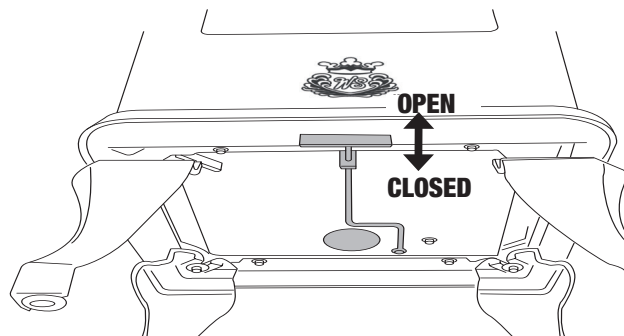
### Emptying the ashes

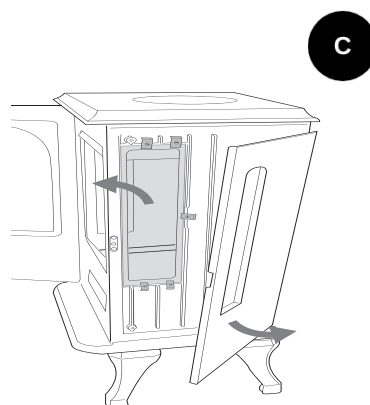
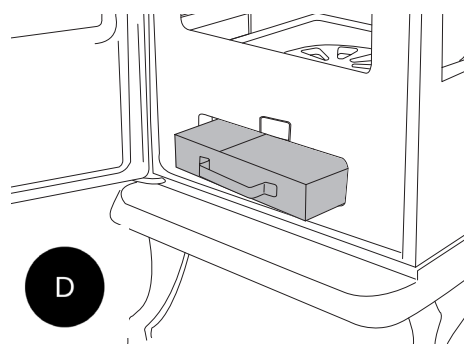
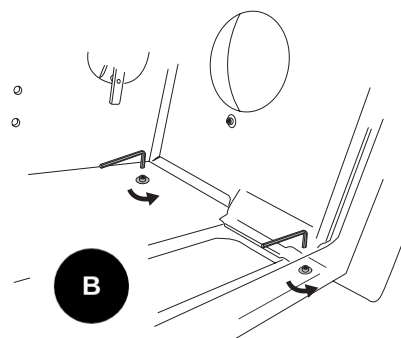
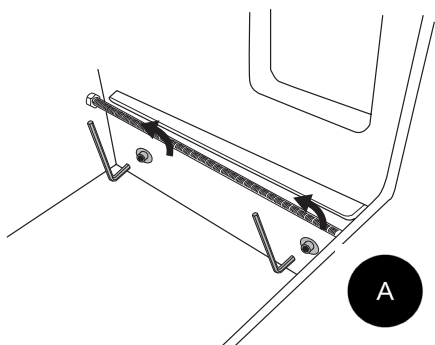
The ashtray accessed by opening the door. Open the grate by pulling the grate lever. Scoope down the ashes and empty the ash tray in a safe place.

NOTE, the ashes can contain embers several days after the fire.

### Chimney fire

In case of chimney fire, all doors and air controls should be closed. If necessary, contact the authorities.



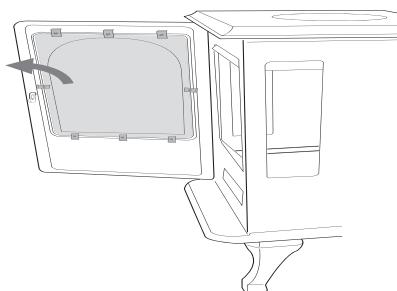


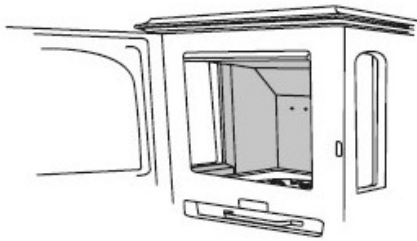
### Replace the side glass

1. Start by taking out fire bricks according to the instructions on the next page.
2. Remove the grate bottom. The lever of the rust is assembled with a nut that can be accessed through the opening for the ash tray.
3. Remove the four screws that holds the side in place according to the picture A and B.
4. Remove the clips that holds the glass in place (C)
5. Install the new glass and make sure that it seals tightly against the sealing rope. Replace if necessary.
6. Install the parts in reverse order.

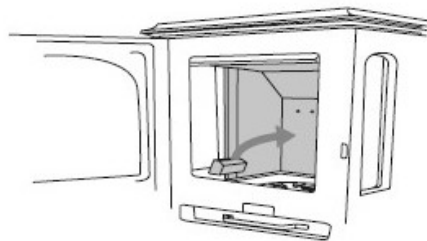
### Replacing the front glass

Remove the clips that holds the glass in place and then install the new glass. Replace the sealing if necessary.

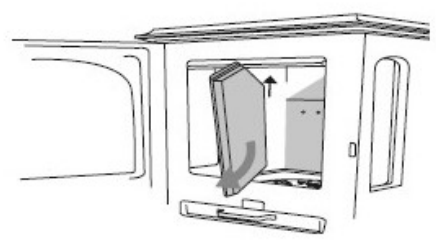




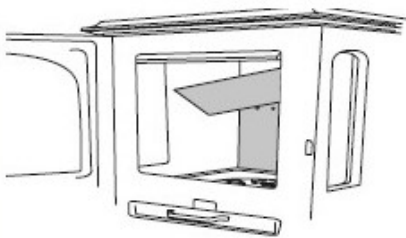
Open the door to access the fire chamber.



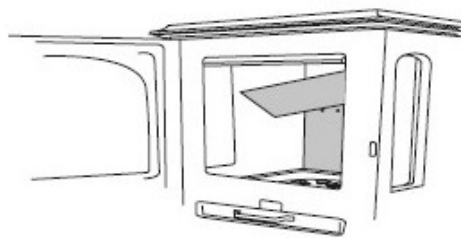
1. Start with the small side-brick.



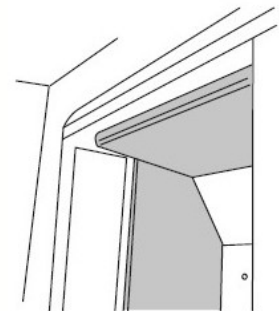
2. Then remove the big side-brick by first lift the roof-brick that locks the big side-brick.



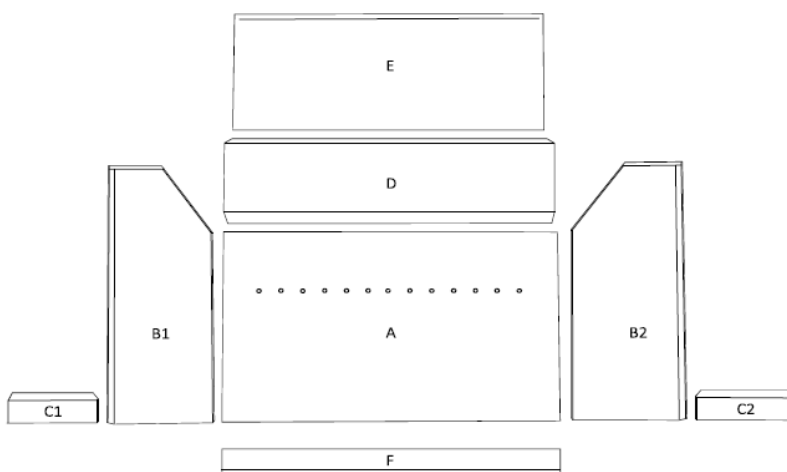
3. Take down the roof-brick.



4. After that, take out the angle-brick. Now it is easy to remove the rest of the bricks.

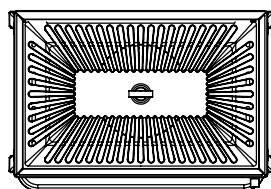
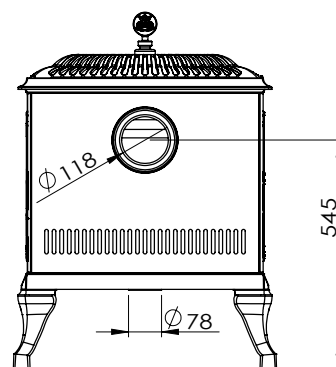
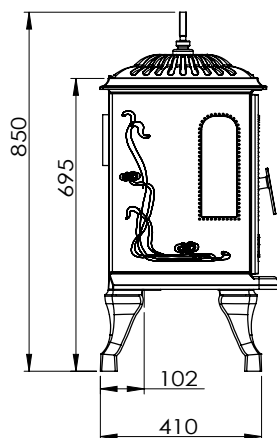
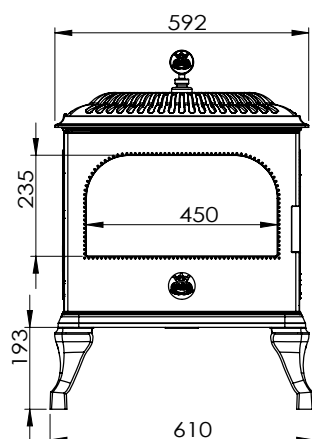


5. To assemble again, just do it in reverse order.



- A- Back-brick
- B1 - Left big side-brick
- B2 - Right big side-brick
- C1 - Left small side-brick
- C2 - Right small side-brick
- D - Angle-brick
- E - Roof-brick
- F - Front-brick





Weight	135 kg
Material	Cast iron
Medium power	5,5 kW
Efficiency	75 %
CE-approved	EN 13240

Distance to combustable:

Back	100 mm
Side	400 mm
Front	1200 mm



### **Preparation**

We recommend a diameter of 6-10 centimetre and that the wood logs are 6 centimetre shorter than the fireplace. This will help the air to circulate in the best possible way. If the diameter is bigger, the wood logs must be splitted. Wood logs that are splitted will dry better.

### **Storage**

The splitted wood logs should be stored for 1-2 years before usage. If the wood is put in piles it will dry faster. Before use, store the wood in room temperature. Please keep in mind that the wood during Autumn and Winter absorbs moist from the air.

### **Moisture**

To avoid environmental problems and to get the best fueling economy, the wood logs must be dried before use. They should contain maximum 21% moisture. Best performance of the wood logs is achieved by a moisture level of 15-18%. A simple test is to beat two wood logs against each other. If a numb sound occurs, the wood contains too much moist.

By using moist wood logs, large amount of the heat will be used to evaporate the water. The stove will therefore not be warm. This is of course uneconomic and there will be soot on the glass hatches, inside the stove and in the chimney. The environment will also be contaminated.

### **What is correct amount of wood logs?**

How much is a kilo of wood? Or how do you handle the wood in a correct way? There are literature to buy regarding wood knowledge. It is a good thing to acquire a little more knowledge on the subject than what we communicate here.

### **It is absolutely forbidden to fire**

Painted, pressure-treated or glued wood. Neither is chipboard, plastic, or treated paper suitable to fire. The substances contained in these products are harmful both to the environment and to the stove. Even the chimney can be attacked if you use material mentioned above. Simply put, fire only clean wood logs.

### **Calorific wood value**

The calorific wood value varies between wood species. On some you need to put a bit more wood into the fireplace to get the same amount of heat like other wood species. In our firing instructions, we calculate with birch wood, which has a very good calorific value and is the type of wood we recommend. By burning oak or beech, keep in mind that these types of wood have a higher calorific value than birch. Wood logs must also be reduced so the stove won't be damaged. Pine and spruce have higher calorific value than birch.





westbo of sweden

# WARRANTY

Westbo of Sweden has a 15 year stove casting warranty and a 1 year warranty concerning natural wear and tear of articles of consumption such as firebricks, vermiculite, grates, glass, handles and rope seal.

The warranty is only valid if the stove has been used in a proper way according to the instructions and will not be valid if any extreme or careless handling has occurred like overheating, wrong fuel or too much wood etc.

Westbo of Sweden is obligated to provide new parts/stove if any defects covered by the warranty occurred, but takes no responsibility for removal or installation costs for the exchange.

The warranty covers only the product and the buyer is not entitled to compensation for any personal or property damage.

Yours sincerely  
Mattias Gunnarsson  
Managing director