

Solar DC String Box



600V 1000V 1500V
Combiner Boxes



The Best DC Components for The Best Result.



About ZJBENY

Top 1 manufacturer of DC components and combiner boxes in China.
With more than 10 years experience in solar DC solutions designing, producing and testing.

We are one of the manufacturers own the DC electrical cycle tester in China, the test equipment is important for keeping the DC switch at high quality level.

The first DC switch listed by UL508i.

The standard DC isolator recommended by Clean Energy Council Australia.

ZJBENY is supplying reliable DC components to top inverter companies and EPCs worldwide.

1000V 1500V solar solutions DC side and AC side is available.



Solar DC String Box

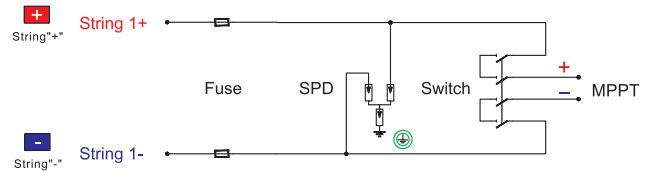
1 in 1 out DC 1000V



| General Data | | DC Surge Arrester | BUD-40/3 |
|--|---|------------------------------|--------------------|
| Model No. | BHS-1/1 | Max Operation Voltage (Ucpv) | 1000V |
| Input | 1 string | Standard Compliance with | EN 50539 Type 2 |
| Output | 1 string | Maximum Discharge Current | 40 KA |
| Maximum Voltage | 1000V | Certification | TUV CE |
| Max DC Short Circuit Current Per Input (Isc) | 15A (Changeable) | | |
| Maximum Current Output | 32A | | |
| Enclosure | | DC fuse holder | BR-30 |
| Material Type | Polycarbonate/ABS | LED Indicator | Yes |
| Degree of Protection | IP65 | Rated Working Voltage | 1000V |
| Degree of Resistance to Impacts | IK10 | Fuse Link | 10x38mm LITTEL 15A |
| Dimension (WxHxD) | 292 x 220 x 120mm | Certification | UL,CB,CE |
| Cable input Entry | PG09 Cable Gland, 2.5-16mm ² | | |
| Output Cable Gland | PG21 2.5-16mm ² | | |
| DC Switch Disconnecter | | Environment | |
| Rated Insulation Voltage (Ui) | 1000V | Operating Temperature | -20°C~+60°C |
| Rated Current (Ie) | 32A | Humidity | 99% |
| Category | DC21B/PV2 | Altitude | 2000M |
| Standard Compliance with | IEC 60947-3 | Installation | Wall Mounting |
| Certification | UL, TUV,KEMA,SAA,CE | | |



BHS-1/1



ZHEJIANG BENYI ELECTRICAL CO., LTD

Wenzhou Bridge Industrial Zone,
Beibaixiang Town, Zhejiang China

TEL: +86-577-5717 7008
FAX: +86-577-5717 7007

www.zjbenydc.com
E-mail: benyi@zjbeny.com



Solar Combiner Box

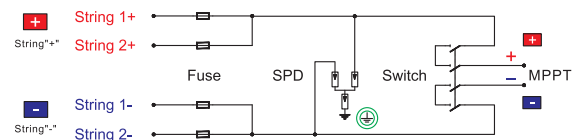
2 in 1 out DC 1000V



| General Data | | DC Surge Arrester | BUD-40/3 |
|--|---|------------------------------|--------------------|
| Model No. | BHS-2/1 | Max Operation Voltage (Ucpv) | 1000V |
| Input | 2 strings | Standard Compliance with | EN 50539 Type 2 |
| Output | 1 string | Maximum Discharge Current | 40 KA |
| Maximum Voltage | 1000V | Certification | TUV CE |
| Max DC Short Circuit Current Per Input (Isc) | 15A (Changeable) | | |
| Maximum Current Output | 32A | | |
| Enclosure | | DC fuse holder | BR-30 |
| Material Type | Polycarbonate/ABS | LED Indicator | Yes |
| Degree of Protection | IP65 | Rated Working Voltage | 1000V |
| Degree of Resistance to Impacts | IK10 | Fuse Link | 10x38mm LITTEL 15A |
| Dimension (WxHxD) | 292 x 220 x 120mm | Certification | UL,CB,CE |
| Cable input Entry | PG09 Cable Gland, 2.5-16mm ² | | |
| Output Cable Gland | PG21 2.5-16mm ² | | |
| DC Switch Disconnecter | | Environment | |
| Rated Insulation Voltage (Ui) | 1000V | Operating Temperature | -20°C~+60°C |
| Rated Current (Ie) | 32A | Humidity | 99% |
| Category | DC21B/PV2 | Altitude | 2000M |
| Standard Compliance with | IEC 60947-3 | Installation | Wall Mounting |
| Certification | UL, TUV,KEMA,SAA,CE | | |



BHS-2/1



ZHEJIANG BENYI ELECTRICAL CO., LTD

Wenzhou Bridge Industrial Zone,
Beibaixiang Town, Zhejiang China

TEL: +86-577-5717 7008
FAX: +86-577-5717 7007

www.zjbenydc.com
E-mail: benyi@zjbenydc.com



Solar DC String Box

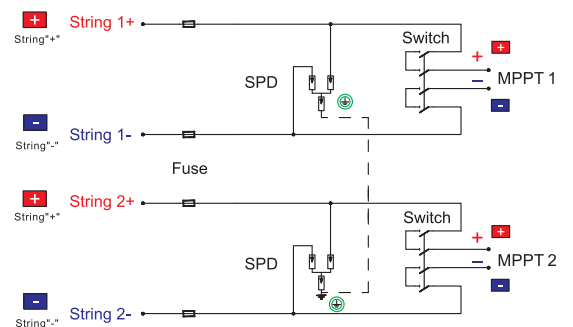
2 in 2 out DC 1000V



| General Data | | DC Surge Arrester | BUD-40/3 |
|--|---|------------------------------|--------------------|
| Model No. | BHS-2/2 | Max Operation Voltage (Ucpv) | 1000V |
| Input | 2 strings | Standard Compliance with | EN 50539 Type 2 |
| Output | 2 strings | Maximum Discharge Current | 40 KA |
| Maximum Voltage | 1000V | Certification | TUV CE |
| Max DC Short Circuit Current Per Input (Isc) | 15A (Changeable) | | |
| Maximum Current Output | 32A | | |
| Enclosure | | DC fuse holder | BR-30 |
| Material Type | Polycarbonate/ABS | LED Indicator | Yes |
| Degree of Protection | IP65 | Rated Working Voltage | 1000V |
| Degree of Resistance to Impacts | IK10 | Fuse Link | 10x38mm LITTEL 15A |
| Dimension (WxHxD) | 292 x 370 x 132mm | Certification | UL,CB,CE |
| Cable input Entry | PG09 Cable Gland, 2.5-16mm ² | | |
| Output Cable Gland | PG21 2.5-16mm ² | | |
| DC Switch Disconnecter | | Environment | |
| Rated Insulation Voltage (Ui) | 1000V | Operating Temperature | -20°C~+60°C |
| Rated Current (Ie) | 32A | Humidity | 99% |
| Category | DC21B/PV2 | Altitude | 2000M |
| Standard Compliance with | IEC 60947-3 | Installation | Wall Mounting |
| Certification | UL, TUV,KEMA,SAA,CE | | |



BHS-2/2



ZHEJIANG BENYI ELECTRICAL CO., LTD

Wenzhou Bridge Industrial Zone,
Beibaixiang Town, Zhejiang China

TEL: +86-577-5717 7008
FAX: +86-577-5717 7007

www.zjbenydc.com
E-mail: benyi@zjbeny.com



Solar Combiner Box

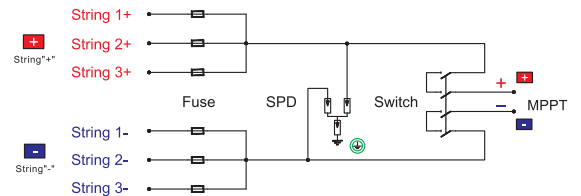
3 in 1 out DC 1000V



| General Data | | DC Surge Arrester | BUD-40/3 |
|--|---|------------------------------|--------------------|
| Model No. | BHS-3/1 | Max Operation Voltage (Ucpv) | 1000V |
| Input | 3 strings | Standard Compliance with | EN 50539 Type 2 |
| Output | 1 string | Maximum Discharge Current | 40 KA |
| Maximum Voltage | 1000V | Certification | TUV CE |
| Max DC Short Circuit Current Per Input (Isc) | 15A (Changeable) | | |
| Maximum Current Output | 32A | | |
| Enclosure | | DC fuse holder | BR-30 |
| Material Type | Polycarbonate/ABS | LED Indicator | Yes |
| Degree of Protection | IP65 | Rated Working Voltage | 1000V |
| Degree of Resistance to Impacts | IK10 | Fuse Link | 10x38mm LITTEL 15A |
| Dimension (WxHxD) | 292 x 220 x 120mm | Certification | UL,CB,CE |
| Cable input Entry | PG09 Cable Gland, 2.5-16mm ² | | |
| Output Cable Gland | PG21 2.5-16mm ² | | |
| DC Switch Disconnecter | | Environment | |
| Rated Insulation Voltage (Ui) | 1000V | Operating Temperature | -20°C~+60°C |
| Rated Current (Ie) | 32A | Humidity | 99% |
| Category | DC21B/PV2 | Altitude | 2000M |
| Standard Compliance with | IEC 60947-3 | Installation | Wall Mounting |
| Certification | UL, TUV,KEMA,SAA,CE | | |



BHS-3/1



ZHEJIANG BENYI ELECTRICAL CO., LTD

Wenzhou Bridge Industrial Zone,
Beibaixiang Town, Zhejiang China

TEL: +86-577-5717 7008
FAX: +86-577-5717 7007

www.zjbenydc.com
E-mail: benyi@zjbenydc.com

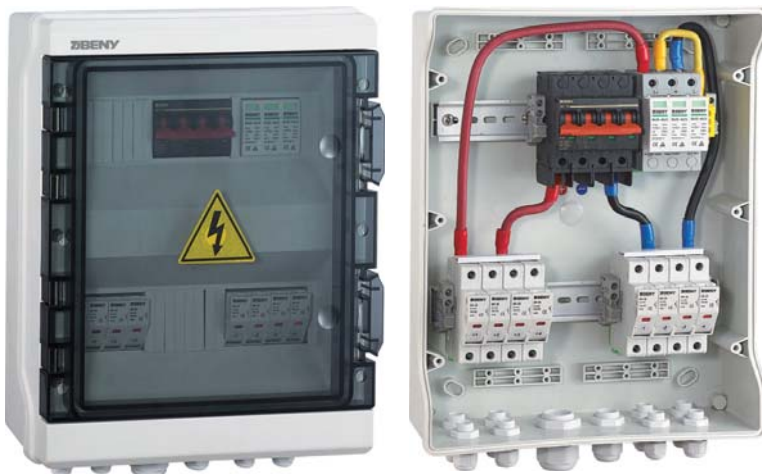


Solar Combiner Box

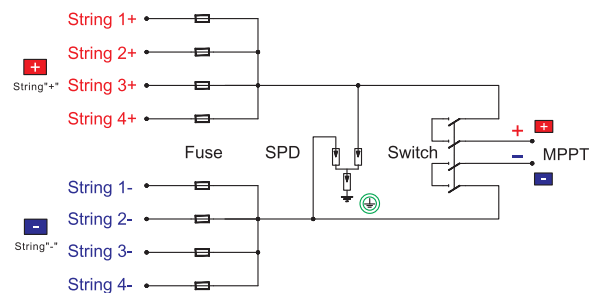
4 in 1 out DC 1000V



| General Data | | DC Surge Arrester | BUD-40/3 |
|--|---|------------------------------|--------------------|
| Model No. | BHS-4/1 | Max Operation Voltage (Ucpv) | 1000V |
| Input | 4 strings | Standard Compliance with | EN 50539 Type 2 |
| Output | 1 string | Maximum Discharge Current | 40 KA |
| Maximum Voltage | 1000V | Certification | TUV CE |
| Max DC Short Circuit Current Per Input (Isc) | 15A (Changeable) | | |
| Maximum Current Output | 63A | | |
| Enclosure | | DC fuse holder | BR-30 |
| Material Type | Polycarbonate/ABS | LED Indicator | Yes |
| Degree of Protection | IP65 | Rated Working Voltage | 1000V |
| Degree of Resistance to Impacts | IK10 | Fuse Link | 10x38mm LITTEL 15A |
| Dimension (WxHxD) | 292 x 370x 132mm | Certification | UL,CB,CE |
| Cable input Entry | PG09 Cable Gland, 2.5-16mm ² | | |
| Output Cable Gland | PG21 2.5-16mm ² | | |
| DC Switch Disconnecter | | Environment | |
| Rated Insulation Voltage (Ui) | 1000V | Operating Temperature | -20°C~+60°C |
| Rated Current (Ie) | 63A | Humidity | 99% |
| Category | DC21B | Altitude | 2000M |
| Standard Compliance with | IEC 60947-3 | Installation | Wall Mounting |
| Certification | CB, CE | | |



BHS-4/1



ZHEJIANG BENYI ELECTRICAL CO., LTD

Wenzhou Bridge Industrial Zone,
Beibaixiang Town, Zhejiang China

TEL: +86-577-5717 7008
FAX: +86-577-5717 7007

www.zjbenydc.com
E-mail: benyi@zjbeny.com



Solar Combiner Box

4 in 2 out DC 1000V



General Data

| | |
|--|------------------|
| Model No. | BHS-4/2 |
| Input | 4 strings |
| Output | 2 strings |
| Maximum Voltage | 1000V |
| Max DC Short Circuit Current Per Input (Isc) | 15A (Changeable) |
| Maximum Current Output | 32A |

Enclosure

| | |
|---------------------------------|---|
| Material Type | Polycarbonate/ABS |
| Degree of Protection | IP65 |
| Degree of Resistance to Impacts | IK10 |
| Dimension (WxHxD) | 292 x370 x 132mm |
| Cable input Entry | PG09 Cable Gland, 2.5-16mm ² |
| Output Cable Gland | PG21 2.5-16mm ² |

DC Switch Disconnecter

| | |
|-------------------------------|---------------------|
| Rated Insulation Voltage (Ui) | 1000V |
| Rated Current (Ie) | 32A |
| Category | DC21B/PV2 |
| Standard Compliance with | IEC 60947-3 |
| Certification | UL, TUV,KEMA,SAA,CE |

DC Surge Arrester

| | |
|------------------------------|-----------------|
| Max Operation Voltage (Ucpv) | 1000V |
| Standard Compliance with | EN 50539 Type 2 |
| Maximum Discharge Current | 40 KA |
| Certification | TUV CE |

DC fuse holder

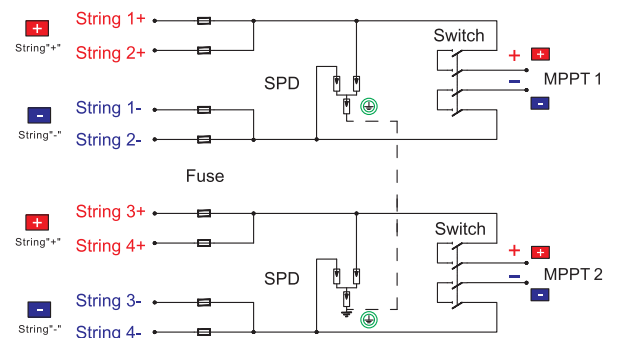
| | |
|-----------------------|--------------------|
| LED Indicator | Yes |
| Rated Working Voltage | 1000V |
| Fuse Link | 10x38mm LITTEL 15A |
| Certification | UL,CB,CE |

Environment

| | |
|-----------------------|---------------|
| Operating Temperature | -20°C~+60°C |
| Humidity | 99% |
| Altitude | 2000M |
| Installation | Wall Mounting |



BHS-4/2



ZHEJIANG BENYI ELECTRICAL CO., LTD

Wenzhou Bridge Industrial Zone,
Beibaixiang Town, Zhejiang China

TEL: +86-577-5717 7008
FAX: +86-577-5717 7007

www.zjbenydc.com
E-mail: benyi@zjbeny.com



Solar Combiner Box

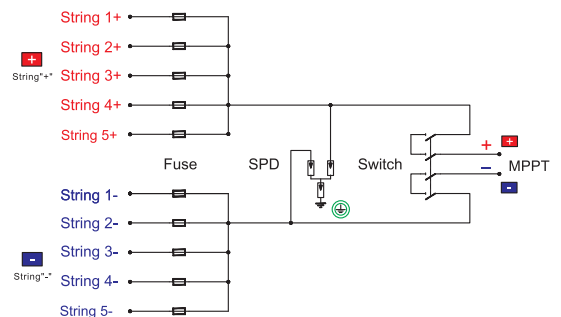
5 in 1 out DC 1000V



| General Data | | DC Surge Arrester | BUD-40/3 |
|--|---|------------------------------|--------------------|
| Model No. | BHS-5/1 | Max Operation Voltage (Ucpv) | 1000V |
| Input | 4 strings | Standard Compliance with | EN 50539 Type 2 |
| Output | 1 string | Maximum Discharge Current | 40 KA |
| Maximum Voltage | 1000V | Certification | TUV CE |
| Max DC Short Circuit Current Per Input (Isc) | 15A (Changeable) | | |
| Maximum Current Output | 63A | | |
| Enclosure | | DC fuse holder | BR-30 |
| Material Type | Polycarbonate/ABS | LED Indicator | Yes |
| Degree of Protection | IP65 | Rated Working Voltage | 1000V |
| Degree of Resistance to Impacts | IK10 | Fuse Link | 10x38mm LITTEL 15A |
| Dimension (WxHxD) | 292 x 370x 132mm | Certification | UL,CB,CE |
| Cable input Entry | PG09 Cable Gland, 2.5-16mm ² | | |
| Output Cable Gland | PG21 2.5-16mm ² | | |
| DC Switch Disconnecter | | Environment | |
| Rated Insulation Voltage (Ui) | 1000V | Operating Temperature | -20°C~+60°C |
| Rated Current (Ie) | 63A | Humidity | 99% |
| Category | DC21B | Altitude | 2000M |
| Standard Compliance with | IEC 60947-3 | Installation | Wall Mounting |
| Certification | CB, CE | | |



BHS-5/1



ZHEJIANG BENYI ELECTRICAL CO., LTD

Wenzhou Bridge Industrial Zone,
Beibaixiang Town, Zhejiang China

TEL: +86-577-5717 7008
FAX: +86-577-5717 7007

www.zbenydc.com
E-mail: benyi@zbeny.com



Solar Combiner Box

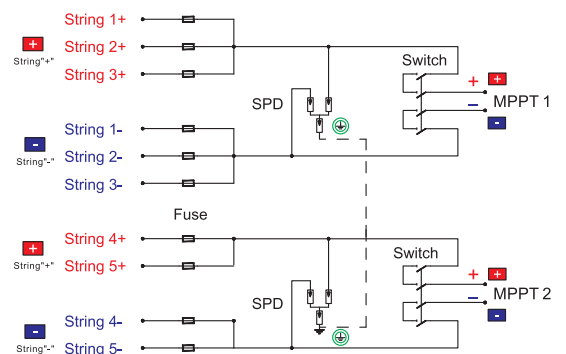
5 in 2 out DC 1000V



| General Data | | DC Surge Arrester | BUD-40/3 |
|--|---|------------------------------|--------------------|
| Model No. | BHS-5/2 | Max Operation Voltage (Ucpv) | 1000V |
| Input | 4 strings | Standard Compliance with | EN 50539 Type 2 |
| Output | 2 strings | Maximum Discharge Current | 40 KA |
| Maximum Voltage | 1000V | Certification | TUV CE |
| Max DC Short Circuit Current Per Input (Isc) | 15A (Changeable) | | |
| Maximum Current Output | 32A | | |
| Enclosure | | DC fuse holder | BR-30 |
| Material Type | Polycarbonate/ABS | LED Indicator | Yes |
| Degree of Protection | IP65 | Rated Working Voltage | 1000V |
| Degree of Resistance to Impacts | IK10 | Fuse Link | 10x38mm LITTEL 15A |
| Dimension (WxHxD) | 292 x370 x 132mm | Certification | UL,CB,CE |
| Cable input Entry | PG09 Cable Gland, 2.5-16mm ² | | |
| Output Cable Gland | PG21 2.5-16mm ² | | |
| DC Switch Disconnecter | | Environment | |
| Rated Insulation Voltage (Ui) | 1000V | Operating Temperature | -20°C~+60°C |
| Rated Current (Ie) | 32A | Humidity | 99% |
| Category | DC21B/PV2 | Altitude | 2000M |
| Standard Compliance with | IEC 60947-3 | Installation | Wall Mounting |
| Certification | UL, TUV,KEMA,SAA,CE | | |



BHS-5/2



ZHEJIANG BENYI ELECTRICAL CO., LTD

Wenzhou Bridge Industrial Zone,
Beibaixiang Town, Zhejiang China

TEL: +86-577-5717 7008
FAX: +86-577-5717 7007

www.zjbenydc.com
E-mail: benyi@zjbenydc.com



Solar Combiner Box

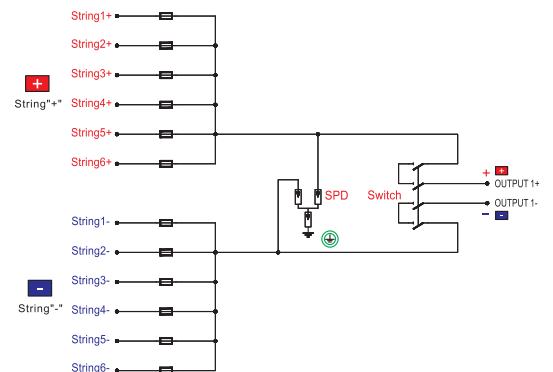
6 in 1 out DC 1000V



| General Data | | DC Surge Arrester | BUD-40/3 |
|--|---|------------------------------|--------------------|
| Model No. | BHS-6/1 | Max Operation Voltage (Ucpv) | 1000V |
| Input | 6 strings | Standard Compliance with | EN 50539 Type 2 |
| Output | 1 string | Maximum Discharge Current | 40 KA |
| Maximum Voltage | 1000V | Certification | TUV CE |
| Max DC Short Circuit Current Per Input (Isc) | 15A (Changeable) | | |
| Maximum Current Output | 80A | | |
| Enclosure | | DC fuse holder | BR-30 |
| Material Type | Polycarbonate/ABS | LED Indicator | Yes |
| Degree of Protection | IP65 | Rated Working Voltage | 1000V |
| Degree of Resistance to Impacts | IK10 | Fuse Link | 10x38mm LITTEL 15A |
| Dimension (WxHxD) | 540 x 360x 180mm | Certification | UL,CB,CE |
| Cable input Entry | PG09 Cable Gland, 2.5-16mm ² | | |
| Output Cable Gland | PG36 50-70mm ² | | |
| DC Switch Disconnecter | | Environment | |
| Rated Insulation Voltage (Ui) | 1000V | Operating Temperature | -20°C~+60°C |
| Rated Current (Ie) | 125A | Humidity | 99% |
| Standard Compliance with | IEC 60947-3 | Altitude | 2000M |
| Certification | CB, CE | Installation | Wall Mounting |



BHS-6/1



ZHEJIANG BENYI ELECTRICAL CO., LTD

Wenzhou Bridge Industrial Zone,
Beibaixiang Town, Zhejiang China

TEL: +86-577-5717 7008
FAX: +86-577-5717 7007

www.zjbenydc.com
E-mail: benyi@zjbeny.com



Solar Combiner Box

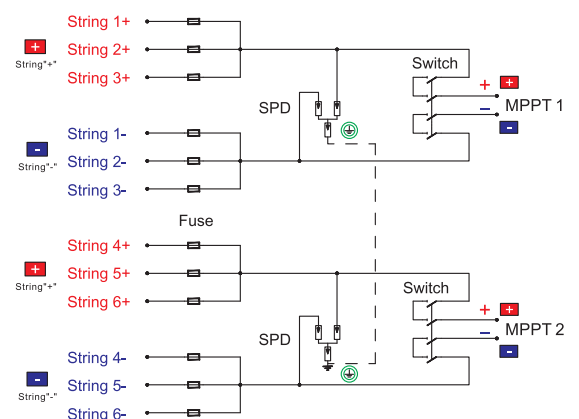
6 in 2 out DC 1000V



| General Data | | DC Surge Arrester | BUD-40/3 |
|--|---|------------------------------|--------------------|
| Model No. | BHS-6/2 | Max Operation Voltage (Ucpv) | 1000V |
| Input | 6 strings | Standard Compliance with | EN 50539 Type 2 |
| Output | 2 strings | Maximum Discharge Current | 40 KA |
| Maximum Voltage | 1000V | Certification | TUV CE |
| Max DC Short Circuit Current Per Input (Isc) | 15A (Changeable) | | |
| Maximum Current Output | 32A | | |
| Enclosure | | DC fuse holder | BR-30 |
| Material Type | Polycarbonate/ABS | LED Indicator | Yes |
| Degree of Protection | IP65 | Rated Working Voltage | 1000V |
| Degree of Resistance to Impacts | IK10 | Fuse Link | 10x38mm LITTEL 15A |
| Dimension (WxHxD) | 292 x 370x 132mm | Certification | UL,CB,CE |
| Cable input Entry | PG09 Cable Gland, 2.5-16mm ² | | |
| Output Cable Gland | PG21 2.5-16mm ² | | |
| DC Switch Disconnecter | | Environment | |
| Rated Insulation Voltage (Ui) | 1000V | Operating Temperature | -20°C~+60°C |
| Rated Current (Ie) | 32A | Humidity | 99% |
| Category | DC21B/PV2 | Altitude | 2000M |
| Standard Compliance with | IEC 60947-3 | Installation | Wall Mounting |
| Certification | UL, TUV, KEMA, SAA, CE | | |



BHS-6/2



ZHEJIANG BENYI ELECTRICAL CO., LTD

Wenzhou Bridge Industrial Zone,
Beibaixiang Town, Zhejiang China

TEL: +86-577-5717 7008
FAX: +86-577-5717 7007

www.zjbenydc.com
E-mail: benyi@zjbeny.com

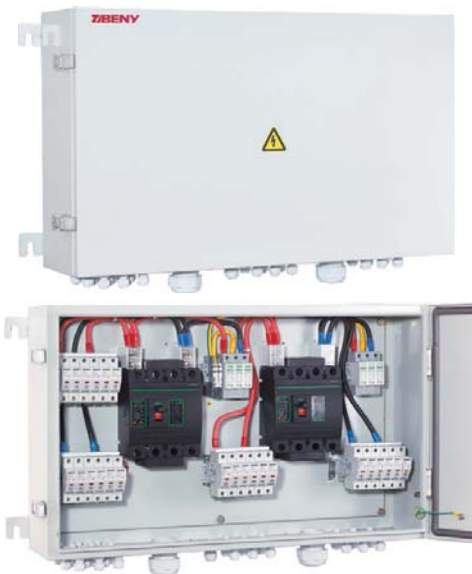


Solar Combiner Box

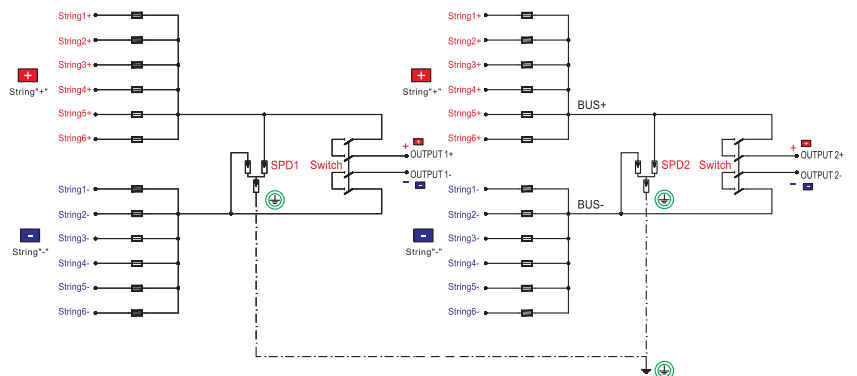
12 in 2 out DC 1000V



| General Data | | DC Surge Arrester | BUD-40/3 |
|--|---|---------------------------------------|--------------------|
| Model No. | BHT-12/2 | Max Operation Voltage (Ucpv) | 1000V |
| Input | 12 strings | Standard Compliance with | EN 50539 Type 2 |
| Output | 2 strings | Maximum Discharge Current | 40 KA |
| Maximum Voltage | 1000V | Certification | TUV CE |
| Max DC Short Circuit Current Per Input (Isc) | 15A (Changeable) | String Monitoring Device | Yes (optional) |
| Maximum Current Output | 125A | Diode for the Function of Anti-Reflux | Yes (optional) |
| Enclosure | | DC fuse holder | BR-30 |
| Material Type | Metal | LED Indicator | Yes |
| Degree of Protection | IP65 | Rated Working Voltage | 1000V |
| Degree of Resistance to Impacts | IK10 | Fuse Link | 10x38mm LITTEL 15A |
| Dimension (WxHxD) | 750x450x180mm | Certification | UL,CB,CE |
| Cable input Entry | PG09 Cable Gland, 2.5-16mm ² | | |
| Output Cable Gland | PG36 50-70mm ² | | |
| DC Switch Disconnecter | | Environment | |
| Rated Insulation Voltage (Ui) | 1000V | Operating Temperature | -20°C~+60°C |
| Rated Current (Ie) | 125A | Humidity | 99% |
| Standard Compliance with | IEC 60947-3 | Altitude | 2000M |
| Certification | CB | Installation | Wall Mounting |



BHT-12/2



ZHEJIANG BENYI ELECTRICAL CO., LTD

Wenzhou Bridge Industrial Zone,
Beibaixiang Town, Zhejiang China

TEL: +86-577-5717 7008
FAX: +86-577-5717 7007

www.zbenydc.com
E-mail: benyi@zbenydc.com



Solar DC Combiner Box with Monitoring

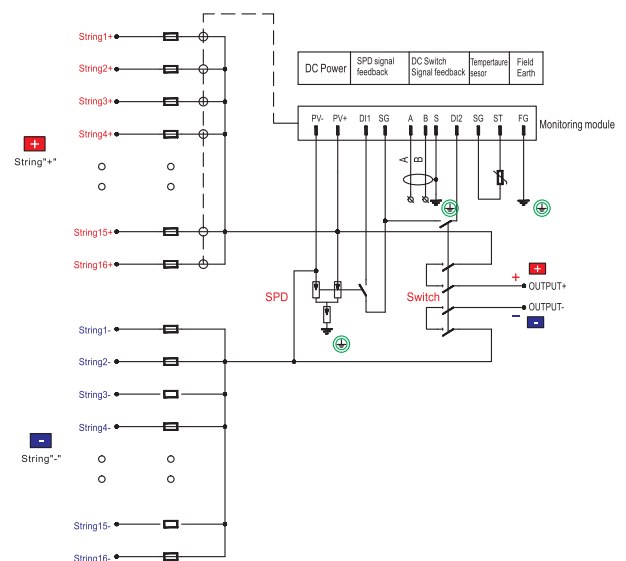
16 in 1 out DC 1000V



| General Data | | DC Surge Arrester | BUD-40/3 |
|--|---|---------------------------------------|--------------------|
| Model No. | BHTZ-16/1 | Max Operation Voltage (Ucpv) | 1000V |
| Input | 16 strings | Standard Compliance with | EN 50539 Type 2 |
| Output | 1 string | Maximum Discharge Current | 40 KA |
| Maximum Voltage | 1000V | Certification | TUV CE |
| Max DC Short Circuit Current Per Input (Isc) | 15A (Changeable) | String Monitoring Device | Yes (optional) |
| Maximum Current Output | 250A | Diode for the Function of Anti-Reflux | Yes (optional) |
| Enclosure | | DC fuse holder | BR-30 |
| Material Type | Metal | LED Indicator | Yes |
| Degree of Protection | IP65 | Rated Working Voltage | 1000V |
| Degree of Resistance to Impacts | IK10 | Fuse Link | 10x38mm LITTEL 15A |
| Dimension (WxHxD) | 650 x 600x 210mm | Certification | UL,CB,CE |
| Cable input Entry | PG09 Cable Gland, 2.5-16mm ² | | |
| Output Cable Gland | PG36 50-70mm ² | | |
| DC Switch Disconnecter | | Environment | |
| Rated Insulation Voltage (Ui) | 1000V | Operating Temperature | -20°C~+60°C |
| Rated Current (Ie) | 250A | Humidity | 99% |
| Standard Compliance with | IEC 60947-3 | Altitude | 2000M |
| Certification | CB | Installation | Wall Mounting |



BHTZ-16/1



ZHEJIANG BENYI ELECTRICAL CO., LTD

Wenzhou Bridge Industrial Zone,
Beibaixiang Town, Zhejiang China

TEL: +86-577-5717 7008
FAX: +86-577-5717 7007

www.zjbenydc.com
E-mail: benyi@zjbeny.com



Solar DC Combiner Box with Monitoring

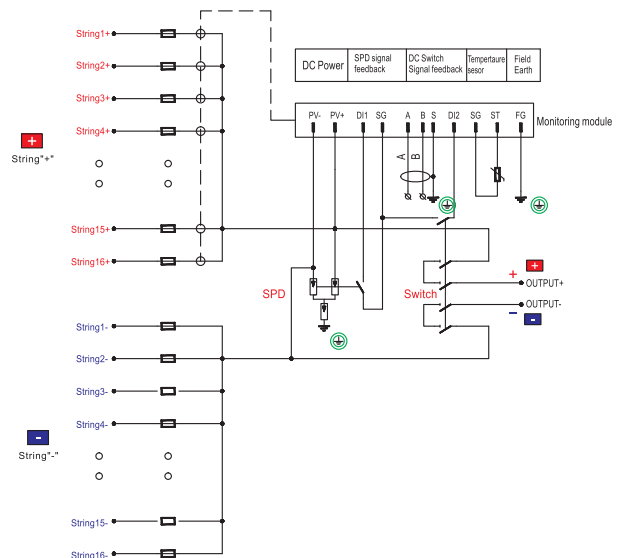
16 In 1 Out DC 1500V



| General Data | | DC Surge Arrester | BUD-1500 |
|--|---|---------------------------------------|-------------------|
| Model No. | BHTZ-16/1 1500V | Max Operation Voltage (Ucpv) | 1500V |
| Input | 16 strings | Standard Compliance with | EN 50539 Type 2 |
| Output | 1 string | Maximum Discharge Current | 40 KA |
| Maximum Voltage | 1500V | Certification | TUV CE |
| Max DC Short Circuit Current Per Input (Isc) | 15A (Changeable) | String Monitoring Device | Yes (optional) |
| Maximum Current Output | 250A | Diode for the Function of Anti-Reflex | Yes (optional) |
| Enclosure | | DC fuse holder | |
| Material Type | Metal | LED Indicator | Yes |
| Degree of Protection | IP65 | Rated Working Voltage | 1500V |
| Degree of Resistance to Impacts | IK10 | Fuse Link | BUSSMAN 1500V 15A |
| Dimension (WxHxD) | 1000 x 670x 300mm | Certification | UL,CB,CE |
| Cable input Entry | PG09 Cable Gland, 2.5-16mm ² | | |
| Output Cable Gland | PG36 50-70mm ² | | |
| DC Switch Disconnecter | | Environment | |
| Rated Insulation Voltage (Ui) | 1500V | Operating Temperature | -20°C~+60°C |
| Rated Current (Ie) | 250A | Humidity | 99% |
| Standard Compliance with | IEC 60947-3 | Altitude | 2000M |
| Certification | UL TUV CE | Installation | Wall Mounting |



BHTZ-16/1 1500V



1500V solar PV systems requires higher voltage level equipments, also require higher level protection. ZJBENY is supplying more cost efficient 1500V DC protection solutions to EPCs.



Solar DC Switch Box



General Data

| | |
|------------------------|----------------------|
| Model No. | BHS-2 |
| Input | 4 string or 2 string |
| Output | 4 string or 2 string |
| Maximum Voltage | 1000V |
| Maximum Current Output | 32A |

Enclosure

BX-08

| | |
|---------------------------------|-------------------|
| Material Type | Polycarbonate/ABS |
| Degree of Protection | IP65 |
| Degree of Resistance to Impacts | IK10 |
| Dimension (WxHxD) | 210 x 194 x 120mm |

DC Switch Disconnecter

BYT.2-32

| | |
|-------------------------------|------------------------|
| Rated Insulation Voltage (Ui) | 1000V |
| Rated Current (Ie) | 32A |
| Category | DC21B/PV2 |
| Standard Compliance with | IEC 60947-3 |
| Certification | UL, TUV, KEMA, SAA, CE |

Environment

| | |
|-----------------------|---------------|
| Operating Temperature | -20°C~+60°C |
| Humidity | 99% |
| Altitude | 2000M |
| Installation | Wall Mounting |



BHS-2

ZHEJIANG BENYI ELECTRICAL CO., LTD

Wenzhou Bridge Industrial Zone,
Beibaixiang Town, Zhejiang China

TEL: +86-577-5717 7008
FAX: +86-577-5717 7007

www.zjbenydc.com
E-mail: benyi@zjbeny.com



Solar DC Switch Box



General Data

| | |
|------------------------|----------------------|
| Model No. | BHS-3 |
| Input | 3 string or 6 string |
| Output | 3 string or 6 string |
| Maximum Voltage | 1000V |
| Maximum Current Output | 32A |

Enclosure

BX-15

| | |
|---------------------------------|-------------------|
| Material Type | Polycarbonate/ABS |
| Degree of Protection | IP65 |
| Degree of Resistance to Impacts | IK10 |
| Dimension (WxHxD) | 331 x 210 x 122mm |

DC Switch Disconnecter

BYT.2-32

| | |
|-------------------------------|------------------------|
| Rated Insulation Voltage (Ui) | 1000V |
| Rated Current (Ie) | 32A |
| Category | DC21B/PV2 |
| Standard Compliance with | IEC 60947-3 |
| Certification | UL, TUV, KEMA, SAA, CE |

Environment

| | |
|-----------------------|---------------|
| Operating Temperature | -20°C~+60°C |
| Humidity | 99% |
| Altitude | 2000M |
| Installation | Wall Mounting |



BHS-3

ZHEJIANG BENYI ELECTRICAL CO., LTD

Wenzhou Bridge Industrial Zone,
Beibaixiang Town, Zhejiang China

TEL: +86-577-5717 7008
FAX: +86-577-5717 7007

www.zjbenydc.com
E-mail: benyi@zjbeny.com



Solar DC String Box

3 in 3 out



General Data

| | |
|--|------------------|
| Model No. | BHS-3/3 |
| Input | 3 strings |
| Output | 3 strings |
| Maximum Voltage | 1000V |
| Max DC Short Circuit Current Per Input (Isc) | 15A (Changeable) |
| Maximum Current Output | 32A |

Enclosure

| | |
|---------------------------------|---|
| Enclosure | BX-26 |
| Material Type | Polycarbonate/ABS |
| Degree of Protection | IP65 |
| Degree of Resistance to Impacts | IK10 |
| Dimension (WxHxD) | 292 x 370 x 132mm |
| Cable input Entry | PG09 Cable Gland, 2.5-16mm ² |
| Output Cable Gland | PG21 2.5-16mm ² |

DC fuse holder

| | |
|-----------------------|--------------------|
| DC fuse holder | BR-30 |
| LED Indicator | Yes |
| Rated Working Voltage | 1000V |
| Fuse Link | 10x38mm LITTEL 15A |
| Certification | UL, CB, CE |

DC Switch Disconnecter

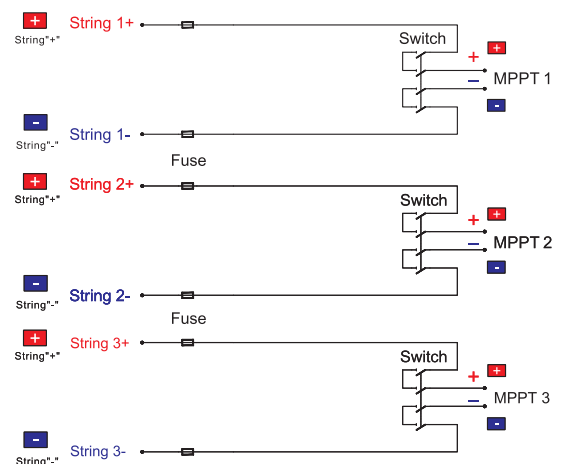
| | |
|-------------------------------|------------------------|
| DC Switch Disconnecter | BYT.2-32 |
| Rated Insulation Voltage (Ui) | 1000V |
| Rated Current (Ie) | 32A |
| Category | DC21B/PV2 |
| Standard Compliance with | IEC 60947-3 |
| Certification | UL, TUV, KEMA, SAA, CE |

Environment

| | |
|-----------------------|---------------|
| Environment | |
| Operating Temperature | -20°C~+60°C |
| Humidity | 99% |
| Altitude | 2000M |
| Installation | Wall Mounting |



BHS-3/3



ZHEJIANG BENYI ELECTRICAL CO., LTD

Wenzhou Bridge Industrial Zone,
Beibaixiang Town, Zhejiang China

TEL: +86-577-5717 7008
FAX: +86-577-5717 7007

www.zjbenydc.com
E-mail: benyi@zjbeny.com



Solar DC String Box

4 in 4 out



General Data

| | |
|------------------------|-----------|
| Model No. | BHS-4 |
| Input | 4 strings |
| Output | 4 strings |
| Maximum Voltage | 1000V |
| Maximum Current Output | 32A |

Enclosure

BX-26

| | |
|---------------------------------|-------------------|
| Material Type | Polycarbonate/ABS |
| Degree of Protection | IP65 |
| Degree of Resistance to Impacts | IK10 |
| Dimension (WxHxD) | 292 x 370 x 132mm |

DC Switch Disconnecter

BYT.2-32

| | |
|-------------------------------|------------------------|
| Rated Insulation Voltage (Ui) | 1000V |
| Rated Current (Ie) | 32A |
| Category | DC21B/PV2 |
| Standard Compliance with | IEC 60947-3 |
| Certification | UL, TUV, KEMA, SAA, CE |

Environment

| | |
|-----------------------|---------------|
| Operating Temperature | -20°C~+60°C |
| Humidity | 99% |
| Altitude | 2000M |
| Installation | Wall Mounting |



BHS-4

ZHEJIANG BENYI ELECTRICAL CO., LTD

Wenzhou Bridge Industrial Zone,
Beibaixiang Town, Zhejiang China

TEL: +86-577-5717 7008
FAX: +86-577-5717 7007

www.zjbenydc.com
E-mail: benyi@zjbeny.com



Solar DC String Box

6 in 6 out 1000V



General Data

| | |
|------------------------|-----------|
| Model No. | BHS-6 |
| Input | 6 strings |
| Output | 6 strings |
| Maximum Voltage | 1000V |
| Maximum Current Output | 32A |

Enclosure

BX-26

| | |
|---------------------------------|-------------------|
| Material Type | Polycarbonate/ABS |
| Degree of Protection | IP65 |
| Degree of Resistance to Impacts | IK10 |
| Dimension (WxHxD) | 292 x 370 x 132mm |

DC Switch Disconnecter

BYT.2-32

| | |
|-------------------------------|---------------------|
| Rated Insulation Voltage (Ui) | 1000V |
| Rated Current (Ie) | 32A |
| Category | DC21B/PV2 |
| Standard Compliance with | IEC 60947-3 |
| Certification | UL, TUV,KEMA,SAA,CE |

Environment

| | |
|-----------------------|---------------|
| Operating Temperature | -20°C~+60°C |
| Humidity | 99% |
| Altitude | 2000M |
| Installation | Wall Mounting |



BHS-6

ZHEJIANG BENYI ELECTRICAL CO., LTD

Wenzhou Bridge Industrial Zone,
Beibaixiang Town, Zhejiang China

TEL: +86-577-5717 7008
FAX: +86-577-5717 7007

www.zjbenydc.com
E-mail: benyi@zjbeny.com



Solar DC String Box

1 in 1 out 600V



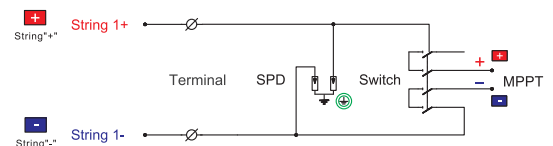
| General Data | | DC Surge Arrester | BUD-40/2 |
|------------------------|-------------|------------------------------|-----------------|
| Model No. | BHS-1M 600V | Max Operation Voltage (Ucpv) | 600V |
| Input | 1 string | Standard Compliance with | EN 50539 Type 2 |
| Output | 1 string | Maximum Discharge Current | 40 KA |
| Maximum Voltage | 600V | Certification | TUV CE |
| Maximum Current Output | 32A | | |

| Enclosure | | BX-08 | Environment |
|---------------------------------|-------------------|-----------------------|---------------|
| Material Type | Polycarbonate/ABS | Operating Temperature | -20°C~+60°C |
| Degree of Protection | IP65 | Humidity | 99% |
| Degree of Resistance to Impacts | IK10 | Altitude | 2000M |
| Dimension (WxHxD) | 210 x 194 x 120mm | Installation | Wall Mounting |
| Cable input Entry | MC4 | | |
| Output Cable Gland | MC4 | | |

| DC Switch Disconnecter | | BYT.2-32/BYS |
|-------------------------------|---------------------|--------------|
| Rated Insulation Voltage (Ui) | 600V | |
| Rated Current (Ie) | 32A | |
| Category | DC21B/PV2 | |
| Standard Compliance with | IEC 60947-3 | |
| Certification | UL, TUV,KEMA,SAA,CE | |



BHS-1/1M 600V



ZHEJIANG BENYI ELECTRICAL CO., LTD

Wenzhou Bridge Industrial Zone,
Beibaixiang Town, Zhejiang China

TEL: +86-577-5717 7008
FAX: +86-577-5717 7007

www.zbenydc.com
E-mail: benyi@zbeny.com



Solar DC Combiner Box

2 in 1 out 600V



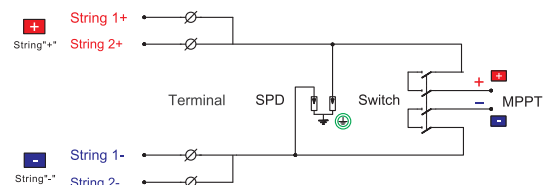
| General Data | | DC Surge Arrester | BUD-40/2 |
|------------------------|-------------|------------------------------|-----------------|
| Model No. | BHS-2M 600V | Max Operation Voltage (Ucpv) | 600V |
| Input | 2 string | Standard Compliance with | EN 50539 Type 2 |
| Output | 1 string | Maximum Discharge Current | 40 KA |
| Maximum Voltage | 600V | Certification | TUV CE |
| Maximum Current Output | 32A | | |

| Enclosure | BX-08 | Environment | |
|---------------------------------|-------------------|-----------------------|---------------|
| Material Type | Polycarbonate/ABS | Operating Temperature | -20°C~+60°C |
| Degree of Protection | IP65 | Humidity | 99% |
| Degree of Resistance to Impacts | IK10 | Altitude | 2000M |
| Dimension (WxHxD) | 210 x 194 x 120mm | Installation | Wall Mounting |
| Input | MC4 | | |
| Output | MC4 | | |

| DC Switch Disconnecter | BYT.2-32/BYS |
|-------------------------------|---------------------|
| Rated Insulation Voltage (Ui) | 600V |
| Rated Current (Ie) | 32A |
| Category | DC21B/PV2 |
| Standard Compliance with | IEC 60947-3 |
| Certification | UL, TUV,KEMA,SAA,CE |



BHS-2/1M 600V



ZHEJIANG BENYI ELECTRICAL CO., LTD

Wenzhou Bridge Industrial Zone,
Beibaixiang Town, Zhejiang China

TEL: +86-577-5717 7008
FAX: +86-577-5717 7007

www.zjbenydc.com
E-mail: benyi@zjbeny.com



Solar DC String Box

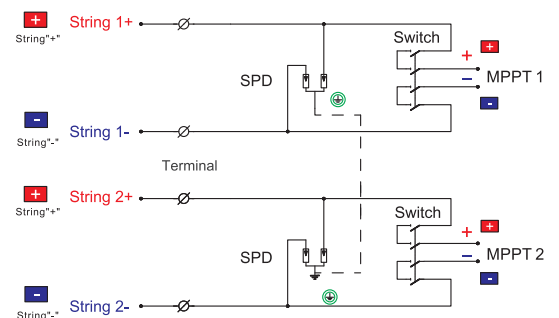
2 in 2 out 600V



| General Data | | DC Surge Arrester | BUD-40/2 |
|------------------------|-------------|------------------------------|-----------------|
| Model No. | BHS-2M 600V | Max Operation Voltage (Ucpv) | 600V |
| Input | 2 string | Standard Compliance with | EN 50539 Type 2 |
| Output | 2 string | Maximum Discharge Current | 40 KA |
| Maximum Voltage | 600V | Certification | TUV CE |
| Maximum Current Output | 32A | | |

| Enclosure | BX-15 | Environment | |
|---------------------------------|-------------------|-----------------------|---------------|
| Material Type | Polycarbonate/ABS | Operating Temperature | -20°C~+60°C |
| Degree of Protection | IP65 | Humidity | 99% |
| Degree of Resistance to Impacts | IK10 | Altitude | 2000M |
| Dimension (WxHxD) | 331 x 210 x 122mm | Installation | Wall Mounting |
| Input | MC4 | | |
| Output | MC4 | | |

| DC Switch Disconnecter | BYT.2-32 |
|-------------------------------|---------------------|
| Rated Insulation Voltage (Ui) | 600V |
| Rated Current (Ie) | 32A |
| Category | DC21B/PV2 |
| Standard Compliance with | IEC 60947-3 |
| Certification | UL, TUV,KEMA,SAA,CE |



BHS-2-2M 600V

ZHEJIANG BENYI ELECTRICAL CO., LTD

Wenzhou Bridge Industrial Zone,
Beibaixiang Town, Zhejiang China

TEL: +86-577-5717 7008
FAX: +86-577-5717 7007

www.zjbenydc.com
E-mail: benyi@zjbeny.com



PV Waterproof Box

08 Modules



Protection

| | |
|---|---|
| Protection class | IP 65 |
| Insulation | Class II |
| Material | polycarbonate/ABS |
| Shock resistance | IK10 |
| Protection against chemicals and weather conditions | Water, saline solutions, acids, basics, mineral oils, UV rays |
| Operating temperature | -25°C~+100°C |

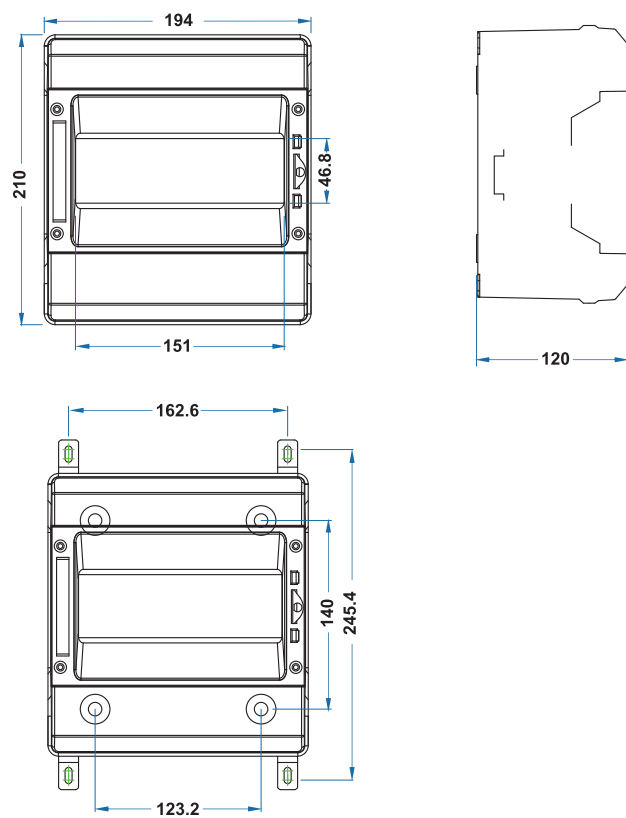
Performance

| | |
|--|-------------------|
| Nominal insulation voltage | 1000V AC~1500V DC |
| Flexibility WxHxD, external dimensions | 210x194x120mm |

Unit:mm



BX08



ZHEJIANG BENYI ELECTRICAL CO., LTD



PV Waterproof Box

13 Modules



Protection

| | |
|---|---|
| Protection class | IP 65 |
| Insulation | Class II |
| Material | polycarbonate/ABS |
| Shock resistance | IK10 |
| Protection against chemicals and weather conditions | Water, saline solutions, acids, basics, mineral oils, UV rays |
| Operating temperature | -25°C~+100°C |

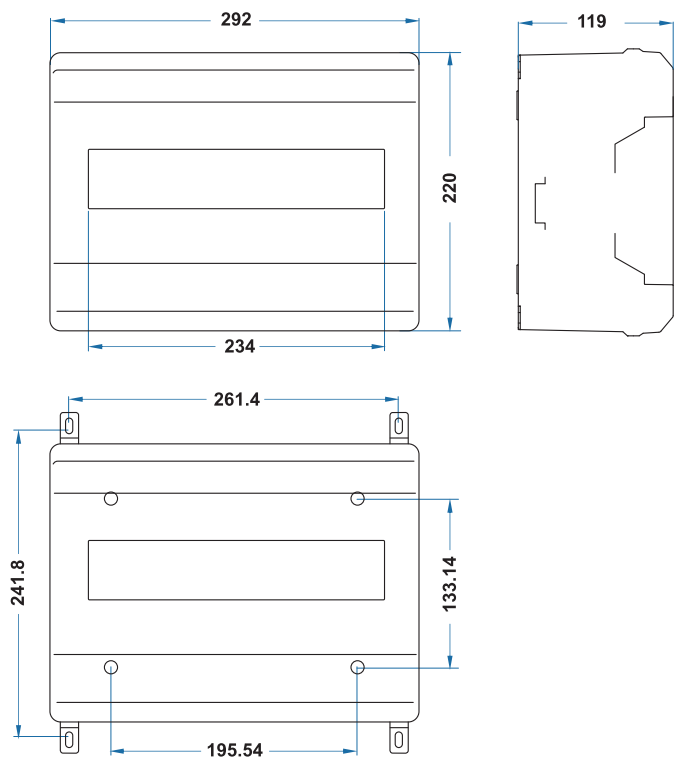
Performance

| | |
|---|-------------------|
| Nominal insulation voltage | 1000V AC~1500V DC |
| Flexibility WxHxD, external dimensions | 292x220x119mm |

Unit:mm



BX13



ZHEJIANG BENYI ELECTRICAL CO., LTD

Wenzhou Bridge Industrial Zone,
Beibaixiang Town, Zhejiang China

TEL: +86-577-5717 7008
FAX: +86-577-5717 7007

www.zjbenydc.com
E-mail: benyi@zjbeny.com



PV Waterproof Box

15 Modules



Protection

| | |
|---|---|
| Protection class | IP 65 |
| Insulation | Class II |
| Material | polycarbonate/ABS |
| Shock resistance | IK10 |
| Protection against chemicals and weather conditions | Water, saline solutions, acids, basics, mineral oils, UV rays |
| Operating temperature | -25°C~+100°C |

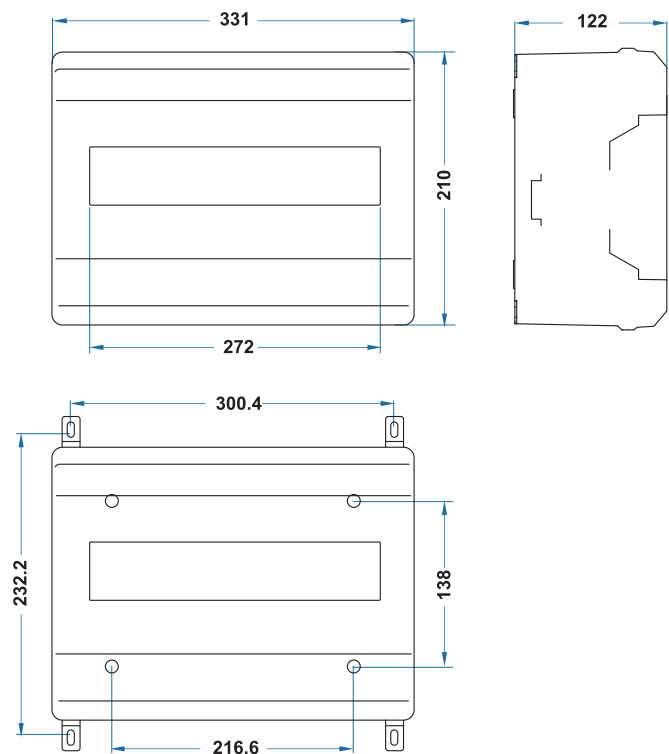
Performance

| | |
|---|-------------------|
| Nominal insulation voltage | 1000V AC~1500V DC |
| Flexibility WxHxD, external dimensions | 331x210x122mm |

Unit:mm



BX15



ZHEJIANG BENYI ELECTRICAL CO., LTD

Wenzhou Bridge Industrial Zone,
Beibaixiang Town, Zhejiang China

TEL: +86-577-5717 7008
FAX: +86-577-5717 7007

www.zjbenydc.com
E-mail: benyi@zjbeny.com



PV Waterproof Box

26 Modules



Protection

| | |
|---|---|
| Protection class | IP 65 |
| Insulation | Class II |
| Material | polycarbonate/ABS |
| Shock resistance | IK10 |
| Protection against chemicals and weather conditions | Water, saline solutions, acids, basics, mineral oils, UV rays |
| Operating temperature | -25°C~+100°C |

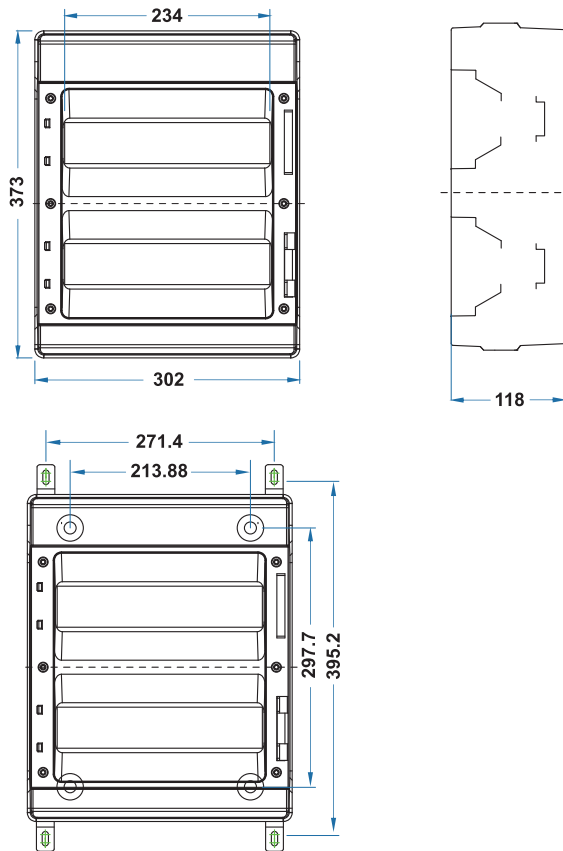
Performance

| | |
|---|-------------------|
| Nominal insulation voltage | 1000V AC~1500V DC |
| Flexibility WxHxD, external dimensions | 302x373x118mm |

Unit:mm



BX26



ZHEJIANG BENYI ELECTRICAL CO., LTD

Wenzhou Bridge Industrial Zone,
Beibaixiang Town, Zhejiang China

TEL: +86-577-5717 7008
FAX: +86-577-5717 7007

www.zbenydc.com
E-mail: benyi@zbeny.com



PV Waterproof Box

39 Modules



Protection

| | |
|---|---|
| Protection class | IP 65 |
| Insulation | Class II |
| Material | polycarbonate/ABS |
| Shock resistance | IK10 |
| Protection against chemicals and weather conditions | Water, saline solutions, acids, basics, mineral oils, UV rays |
| Operating temperature | -25°C~+100°C |

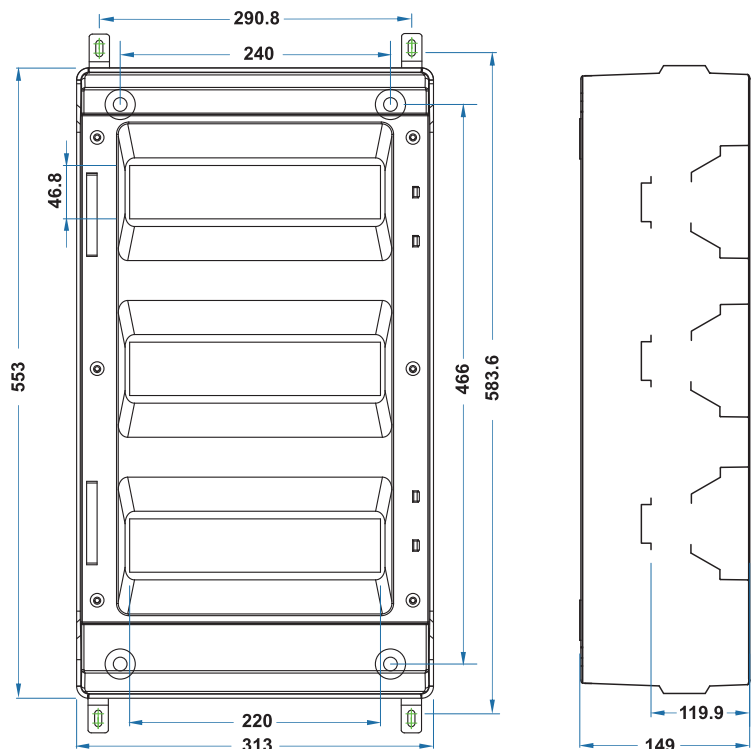
Performance

| | |
|---|-------------------|
| Nominal insulation voltage | 1000V AC~1500V DC |
| Flexibility WxHxD, external dimensions | 313x553x149mm |

Unit:mm



BX39



ZHEJIANG BENYI ELECTRICAL CO., LTD

Wenzhou Bridge Industrial Zone,
Beibaixiang Town, Zhejiang China

TEL: +86-577-5717 7008
FAX: +86-577-5717 7007

www.zjbenydc.com
E-mail: benyi@zjbeny.com



AC Box

BBWX AC Distribution Box



General Data

| | |
|-----------------|--------------|
| Model No. | BBWX |
| Rated Voltage | AC 220V~400V |
| Rated Current | 0-125A |
| Rated frequency | 50-60Hz |

AC Surge Arrester

| | |
|---------------------------|--------------------|
| Electric rating | 220V~440V, 50-60HZ |
| Maximum Discharge Current | 40 KA |
| Standard Compliance with | EN 61643-11 |
| Certification | CE |

Enclosure

| | |
|---------------------------------|----------------------------|
| Material Type | Polycarbonate/ABS |
| Degree of Protection | IP65 |
| Degree of Resistance to Impacts | IK10 |
| Dimension (WxHxD) | 292 x 220x 120mm |
| Cable input Entry | PG25 2.5-25mm ² |
| Output Cable Gland | PG25 2.5-25mm ² |

Environment

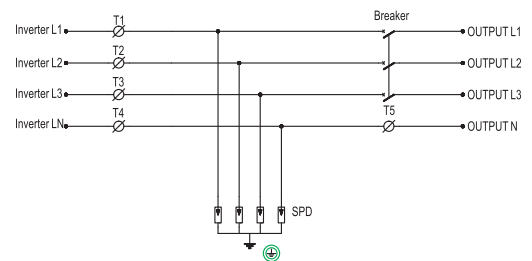
| | |
|-----------------------|---------------|
| Operating Temperature | -20°C~+60°C |
| Humidity | 99% |
| Altitude | 2000M |
| Installation | Wall Mounting |

Modular measurement and control relays

| | |
|--------------------------|-----------------------|
| Network number of phases | Single Phase/3 Phases |
| Rated Current | 0-125A |
| Measurement range | 220V~400V voltage AC |
| Supply frequency | 50~60 Hz \pm 10% |



BBWX



ZJBENY design and assemble AC combiner box and AC distribution box for solar PV systems AC side string protection and distribution. To reduce the system connection cable length and improve the reliability of the system, it is necessary to use the AC grid box between the inverter and the network cabinet. AC combine box has lightning protection and switch isolation, set aside energy measurement function, for single-phase energy and three-phase energy measurement and control management.



AC Box

BBWX-1 AC Distribution Box



General Data

| | |
|---------------------------------|--------------|
| Model No. | BBWX-1 |
| Main circuit rated Voltage | AC 230V/400V |
| Auxiliary circuit rated voltage | AC230V |
| Rated Current | 0-500A |
| Rated frequency | 50-60Hz |

AC Surge Arrester

| | |
|---------------------------|-----------------------------|
| Electric rating | 220V~400V, 50-60HZ, 3 phase |
| Maximum Discharge Current | 40 KA |
| Standard Compliance with | EN 61643 |
| Certification | CE |

Enclosure

| | |
|----------------------|-------|
| Material Type | Metal |
| Degree of Protection | IP65 |

Power Meter

| | |
|---------------------------|---|
| Rated supply voltage (Us) | 100~277 V AC(45~65 Hz)/173~480 V AC(45~65 Hz) |
| Network frequency | 50 Hz /60 Hz |
| Rated current (In) | 1 A /5 A |
| Poles description | 3P /3P + N |
| Power consumption in VA | 5 VA |
| Display type | Backlit LCD |

Modular measurement and control relays NH40

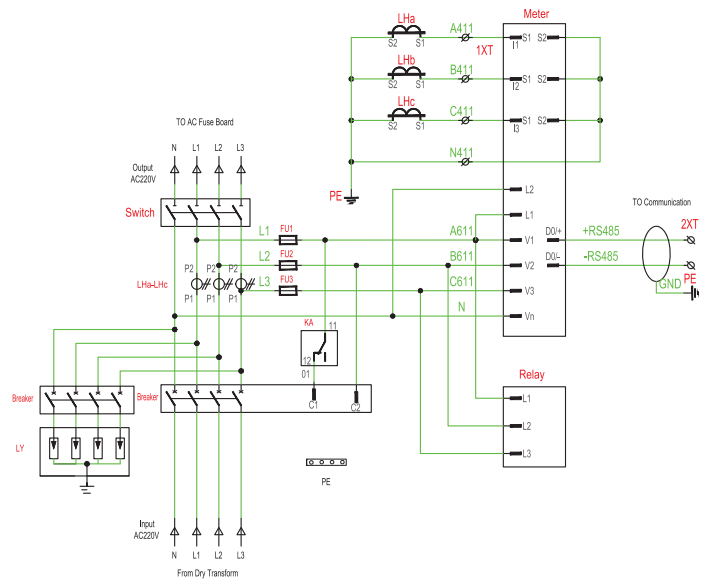
| | |
|--------------------------|----------------------|
| Network number of phases | 3 phases |
| Rated Current | 0-500A |
| Measurement range | 220V~400V voltage AC |
| Supply frequency | 50~60 Hz +/- 10 % |

Environment

| | |
|-----------------------|---------------|
| Operating Temperature | -20°C~+60°C |
| Humidity | 99% |
| Altitude | 2000M |
| Installation | Wall Mounting |



BBWX-1



ZJBENY design and assemble AC combiner box and AC distribution box for solar PV systems AC side string protection and distribution. To reduce the system connection cable length and improve the reliability of the system, it is necessary to use the AC grid box between the inverter and the network cabinet. AC combine box has lightning protection and switch isolation, set aside energy measurement function, for single-phase energy and three-phase energy measurement and control management.



AC Combiner box BBWX-4



General Data

| | |
|-------------------------|------------------|
| Model No. | BBWX-4 |
| Rated Voltage | 400V/480V/690VAC |
| Rated Current Per Input | 0-100A |
| Input | 4 strings |
| Output | 1 string |

Relay

| | |
|----------------|---|
| Relay function | Phase sequence detection, overvoltage, undervoltage protection, phase loss protection |
| Metering | Optional |

Electrical Characteristics

| | |
|----------------------------------|---|
| Applicable system | Three-phase four-wire / three-phase five-wire |
| Maximum Breaking Capacity Input | MCCB 35KA(400V); 8KA(690V) |
| Maximum Breaking Capacity Output | MCCB 50KA(400V); 10KA(690V) |
| AC Surge Arrester(8/20 μ s) | T2, In=20KA, I _{max} =40KA |

Enclosure

| | |
|----------------------|--|
| Material Type | 304 stainless steel, cold rolled steel, galvanized steel |
| Degree of Protection | IP65 |

Rated Insulation level

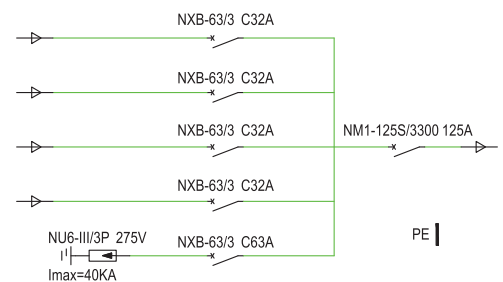
| | |
|--------------------------|--|
| Electrical insulation | Clearance \geq 14mm, creepage distance \geq 25mm |
| Main circuit to earthing | AC3000V 5s |
| Between phases | AC3000V 5s |

Environment

| | |
|-----------------------|-----------------------------------|
| Operating Temperature | -20 $^{\circ}$ C~+50 $^{\circ}$ C |
| Altitude | \leq 2000m |
| Installation | Wall Mounting |



BBWX-4



ZBENY design and assemble AC combiner box and AC distribution box for solar PV systems AC side string protection and distribution. To reduce the system connection cable length and improve the reliability of the system, it is necessary to use the AC grid box between the inverter and the network cabinet. AC combine box has lightning protection and switch isolation, set aside energy measurement function, for single-phase energy and three-phase energy measurement and control management.



AC Combiner box BBWX-6



General Data

| | |
|-------------------------|------------------|
| Model No. | BBWX-6 |
| Rated Voltage | 400V/480V/690VAC |
| Rated Current Per Input | 0-100A |
| Input | 6 strings |
| Output | 1 string |

Relay

| | |
|----------------|---|
| Relay function | Phase sequence detection, overvoltage, undervoltage protection, phase loss protection |
| Metering | Optional |

Electrical Characteristics

| | |
|----------------------------------|---|
| Applicable system | Three-phase four-wire / three-phase five-wire |
| Maximum Breaking Capacity Input | MCCB 35KA(400V); 8KA(690V) |
| Maximum Breaking Capacity Output | MCCB 50KA(400V); 10KA(690V) |
| AC Surge Arrester(8/20 μ s) | T2, In=20KA, I _{max} =40KA |

Enclosure

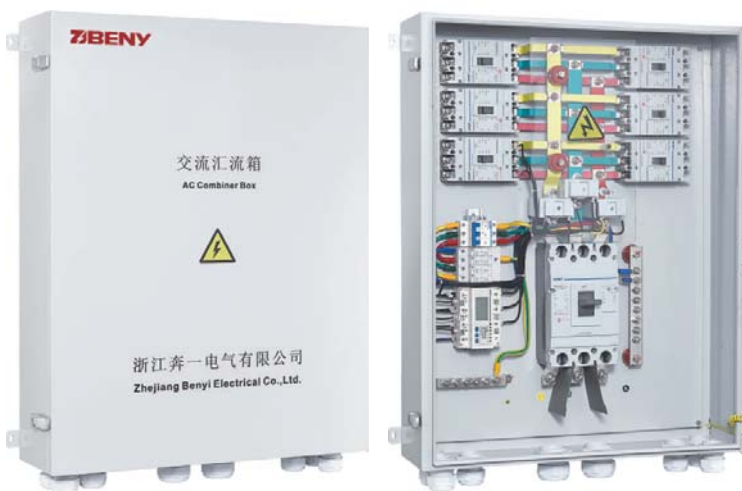
| | |
|----------------------|--|
| Material Type | 304 stainless steel, cold rolled steel, galvanized steel |
| Degree of Protection | IP65 |

Rated Insulation level

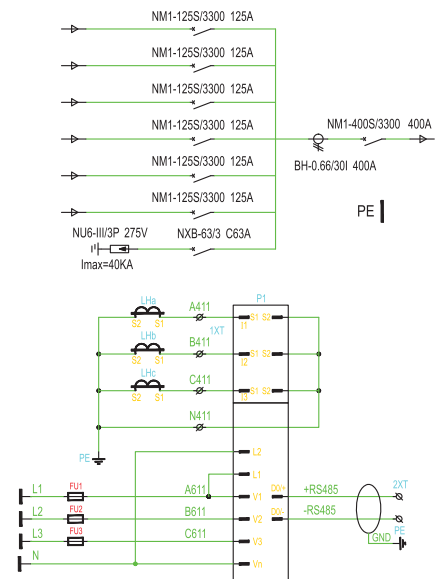
| | |
|--------------------------|--|
| Electrical insulation | Clearance \geq 14mm, creepage distance \geq 25mm |
| Main circuit to earthing | AC3000V 5s |
| Between phases | AC3000V 5s |

Environment

| | |
|-----------------------|---------------|
| Operating Temperature | -20°C~+50°C |
| Altitude | \leq 2000m |
| Installation | Wall Mounting |



BBWX-6



ZBENY design and assemble AC combiner box and AC distribution box for solar PV systems AC side string protection and distribution. To reduce the system connection cable length and improve the reliability of the system, it is necessary to use the AC grid box between the inverter and the network cabinet. AC combine box has lightning protection and switch isolation, set aside energy measurement function, for single-phase energy and three-phase energy measurement and control management.

ZJBENY String Boxes In Projects



- ◆ 73% market share in AU of DC switch
- ◆ Top 1 DC components manufacturer in China
- ◆ Top 1 Solar String Box manufacturer in China



ZHEJIANG BENYI ELECTRICAL CO., LTD.

Address: Wenzhou Bridge Industrial Zone,
Beibaixiang Town, Zhejiang, China

TEL: +86-577-5717 7008

FAX: +86-577-5717 7007

E-mail: benyi@zjbeny.com

Http: // www.zjbenydc.com

⚠ If the models and specifications in this product catalogue is changed due to the change of products, we will not inform.



Scan it to **ZJBENY** website!