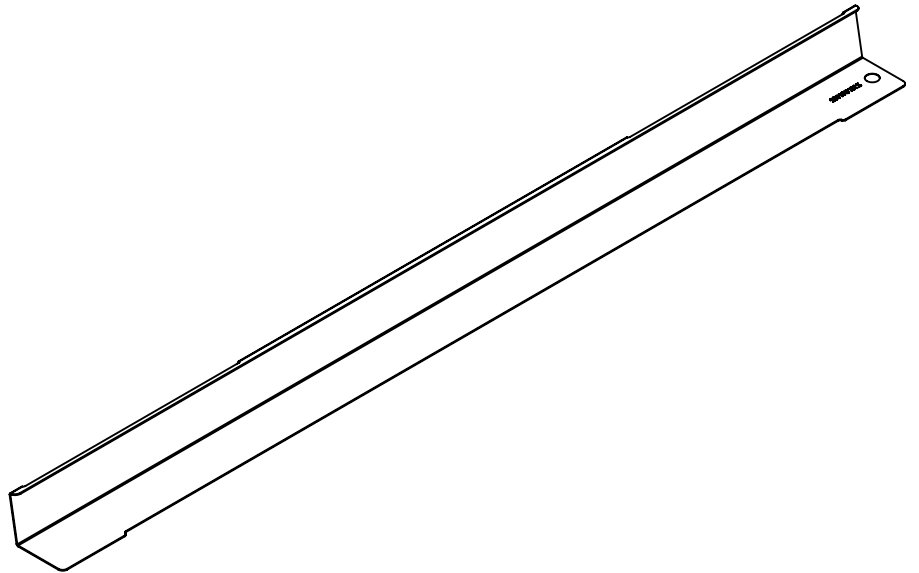
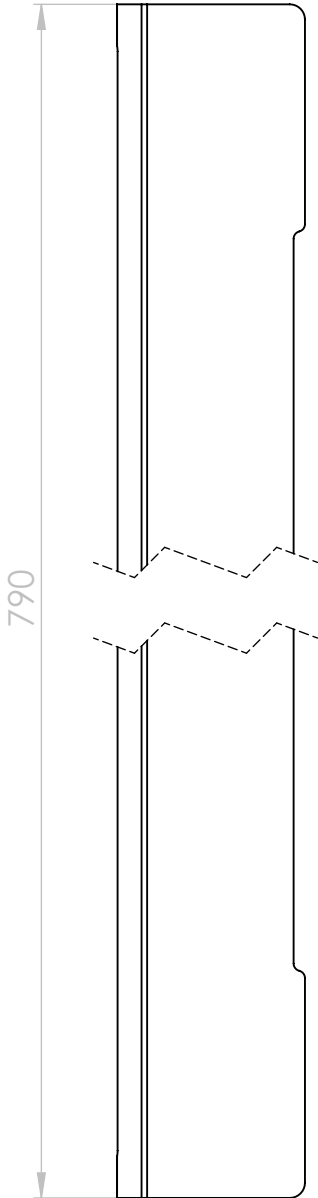
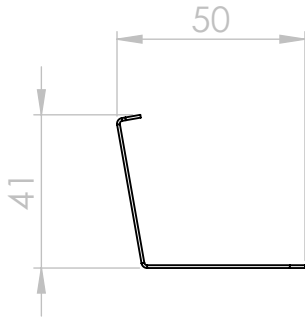


# COMMERCIAL DRAWING



**ESDEC**

INNOVATIVE MOUNTING SYSTEMS

**ESDEC BV**  
**Londenstraat 16**  
**7418 EE Deventer**  
**The Netherlands**

DISCLAIMER  
 NO RIGHTS CAN BE DERIVED FROM THE  
 INFORMATION PROVIDED BY THIS DOCUMENT.

PRODUCT LINE:

**FlatFix Wave**

**NO: 902796**

MATERIAL:

Steel Magnelis coated

TITLE:

**Ballast Tray Extender**

COLOR INFORMATION:

Magnelis steel

ARTICLE NO: 100 9130

Units: mm

Date: 15-06-2022

Name: MG

Scale: **1:1**

Drawn: 15-06-2022

MR

Size: **A4**

Checked: 15-06-2022

MG

DRAWING STATUS:

Released

Revision

**01**

Last mod.: 15-06-2022