



Monofacial

Bifacial

LP182*182-M-54-MH

Rated Power 400-415W



MBB Cell
New circuit design, lower internal current, lower internal resistance loss.



Low Light Features
Higher performance under low light environment.



Higher Output Power
Module adopts 108 pcs of 182*182mm half cells, the maximum power can reach 415W.



PID Protection
Ensure the attenuation probability caused by PID phenomenon is minimized.

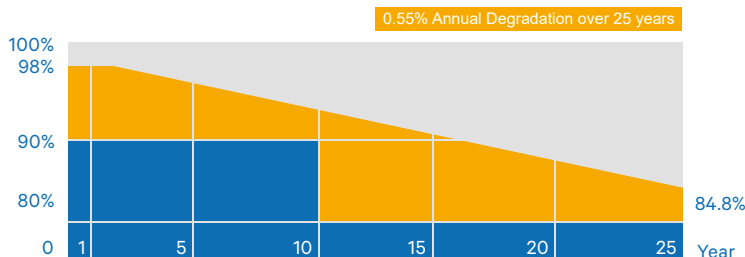


Harsh Environmental Adaptability
Strict salt spray and ammonia corrosion test by TUV Nord.



Load Capacity
Mechanical load tests including wind load 2400 Pa and snow load 5400 Pa done by TUV Nord.

Leapton Linear Power Warranty Industry Warranty



Headquarter : Leapton Energy Co., Ltd.

Tosei Bldg. 6F, 1-2-1 Aioi-cho, Chuo-ku Kobe-shi, Hyogo, 650-0025, Japan

+81-78-382-3182

www.leaptonenergy.jp

Manufacturer : Leapton Solar (Changshu) Co., Ltd.

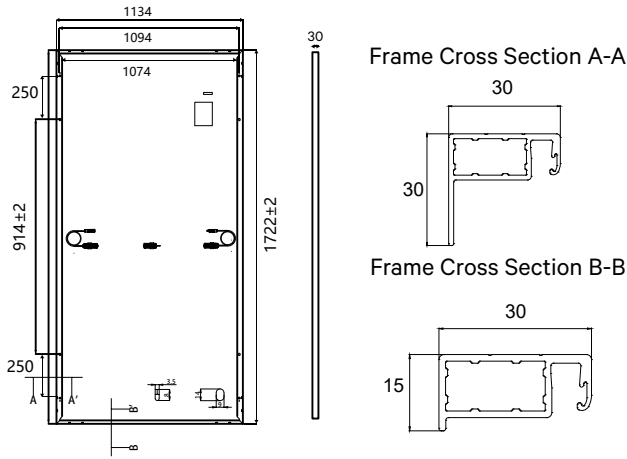
No.9, Sunshine Avenue, Changshu City, Jiangsu, China

+86-512-88800068

info@leaptonenergy.com

www.leaptonpv.com

MECHANICAL DIAGRAMS



SPECIFICATIONS

Weight	21kg
Dimensions	1722±2mm*1134mm*30mm
Cell Dimensions	182*182mm
Cell Amount	54*2 pcs
Maximum System Voltage	1500V
Junction Box	IP68
Frame	Aluminum Alloy
Cable	4mm ² , N 1100mm/P 1100mm for Horizontal installation 4mm ² , N 300mm/P 300mm for Vertical installation
Connector	MC4 compatible
Application Level	Class A

ELECTRICAL PARAMETERS AT STC

Power	400W	405W	410W	415W
Open Circuit Voltage	36.94V	37.14V	37.34V	37.54V
Short Circuit Current	13.60A	13.65A	13.70A	13.75A
Maximum Power Voltage	30.92V	31.12V	31.32V	31.62V
Maximum Power Current	12.94A	13.00A	13.06A	13.12A
Module Efficiency	20.5%	20.7%	21.0%	21.3%

* Under Standard Test Conditions (STC) of irradiance of 1000 W/m², spectrum AM 1.5 and cell temperature of 25°C.

ELECTRICAL PARAMETERS AT NMOT

Power	299W	303W	307W	311W
Open Circuit Voltage	34.72V	34.91V	35.10V	35.29V
Short Circuit Current	11.17A	11.26A	11.34A	11.42A
Maximum Power Voltage	28.75V	28.94V	29.13V	29.40V
Maximum Power Current	10.40A	10.47A	10.54A	10.58A
Module Efficiency	15.3%	15.5%	15.7%	15.9%

* Under Nominal Module Operating Temperature (NMOT), irradiance of 800 W/m², spectrum AM 1.5, ambient temperature 20°C, wind speed 1 m/s.

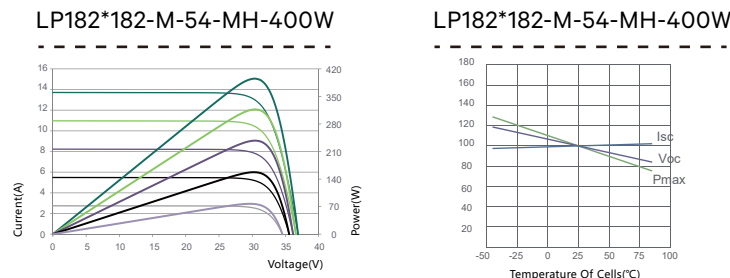
TEMPERATURE CHARACTERISTICS

NMOT	41±3°C	Temp Coefficient of ISC	+0.05%/°C
Temp Coefficient of VOC	-0.28%/°C	Temp Coefficient of Pmax	-0.36%/°C

PACKING CONFIGURATION

Modules/Pallet	36 Pieces	Modules/40'Container	936 Pieces
Packing Description	26 Pallets, Total=(36+36)x13=936 Pieces		

CHARACTERISTICS



MAXIMUM RATING

Output Tolerance	0~+5W
Operating Temperature	-40°C~+85°C
Wind Load/Snow Load	2400pa/5400pa
Fuse Current	25A



Headquarter : Leapton Energy Co., Ltd.

☑ Tosei Bldg. 6F, 1-2-1 Aioi-cho, Chuo-ku Kobe-shi, Hyogo, 650-0025, Japan

☎ +81-78-382-3182

🌐 www.leaptonenergy.jp

Manufacturer : Leapton Solar (Changshu) Co., Ltd.

☑ No.9, Sunshine Avenue, Changshu City, Jiangsu, China

☎ +86-512-88800068

✉ info@leaptonenergy.com

🌐 www.leaptonpv.com