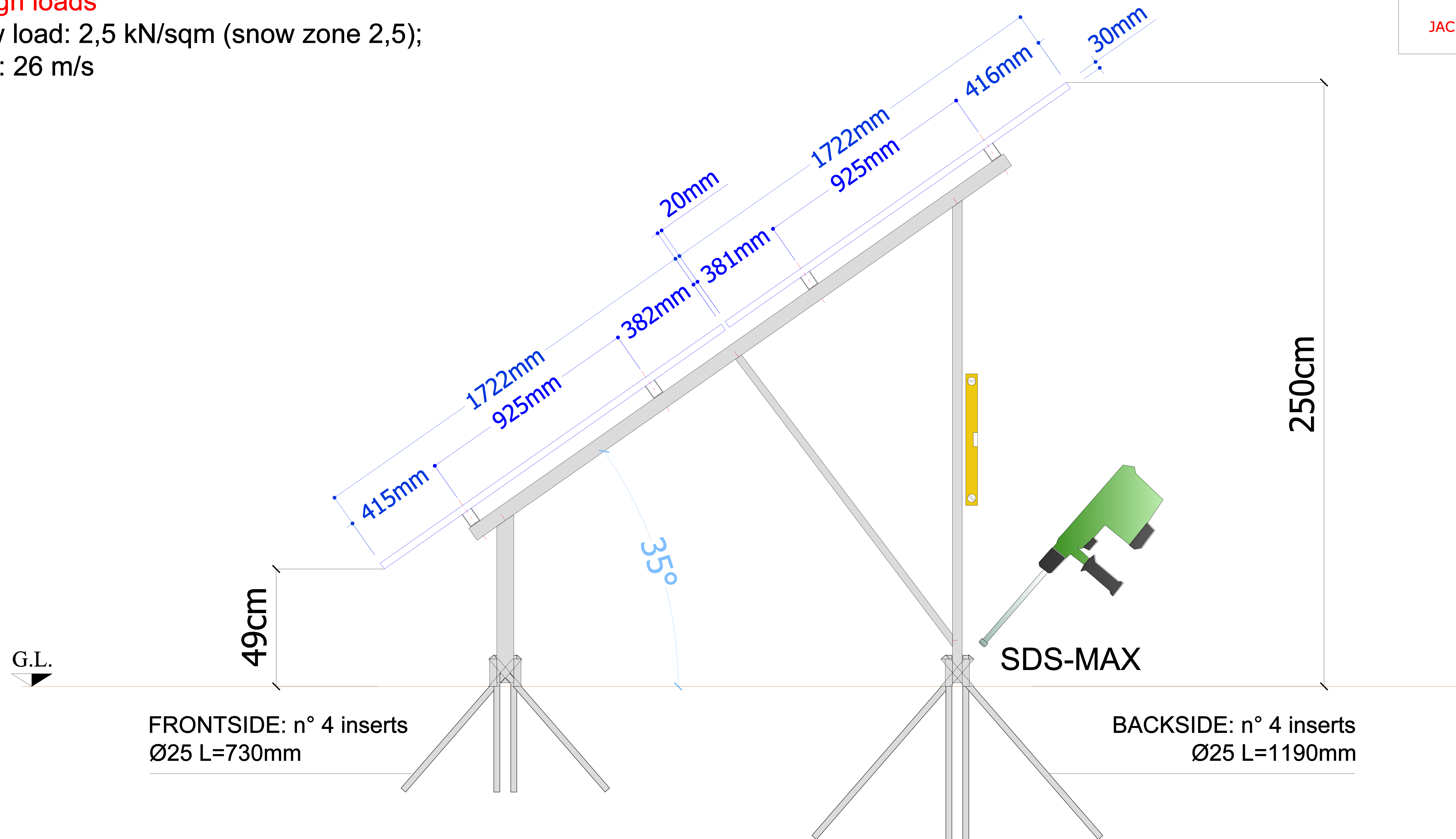


Dimension: 1722 x 1134 x 30 mm  
[410Wp ]

**Design loads**

snow load: 2,5 kN/sqm (snow zone 2,5);  
wind: 26 m/s



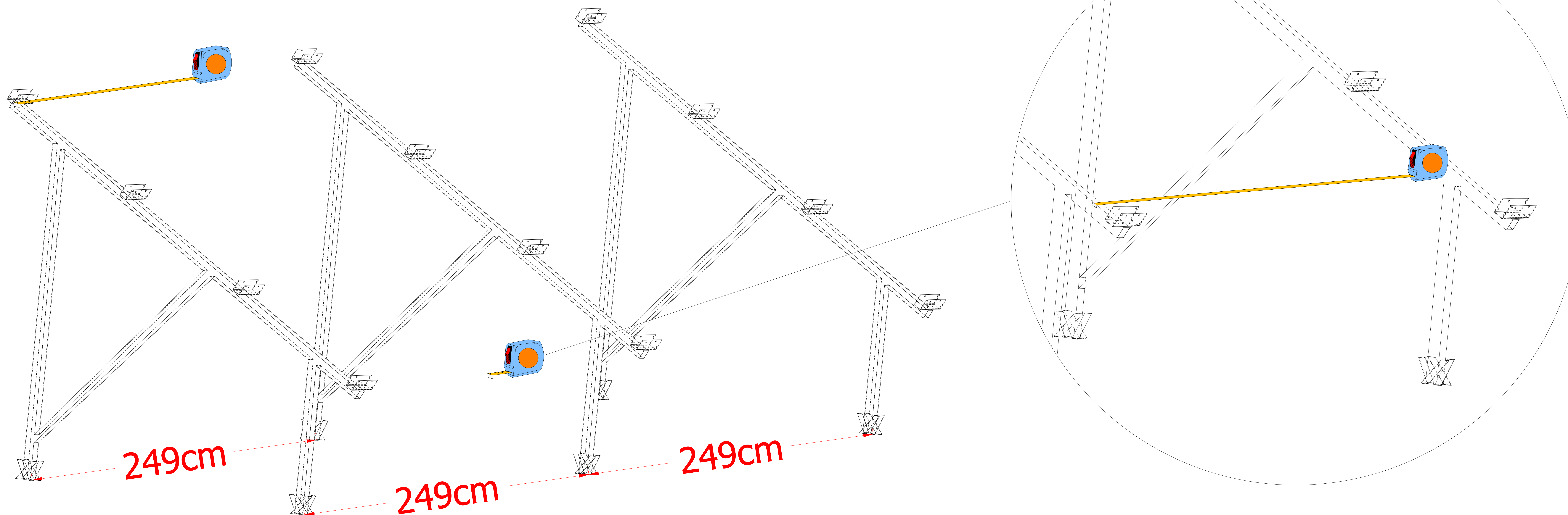
Driving-in the inserts to the ground through guides placed at the base of the frames, using a jack-hammer with SDS-MAX tool tip or a common hammer, only when all the structure is installed and it has checked that the spirit level giving the transverse orientation of the structure indicates the horizontal.

	NAME	DATE		
DRAWN	F.M	19/07/2023	Solelgrossisten Stock	
CHECKED				
			TITLE	
			"Tree System" Anchoring.	
SIZE		DWG N°:	1	REV
SCALE:	WEIGHT:	SHEET		



**TreeSystem s.r.l.**  
Via Moraro n°22, 35020, Pozzonovo (PD)  
Tel/fax +390429773082

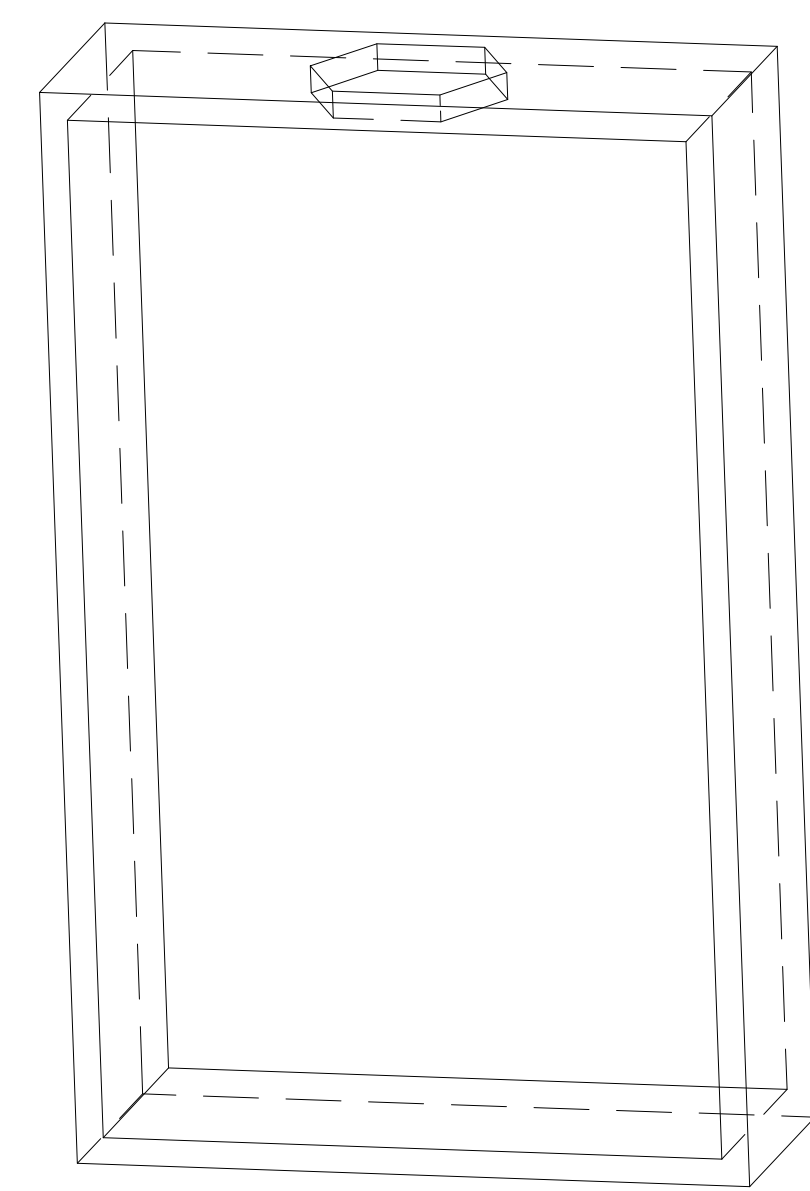




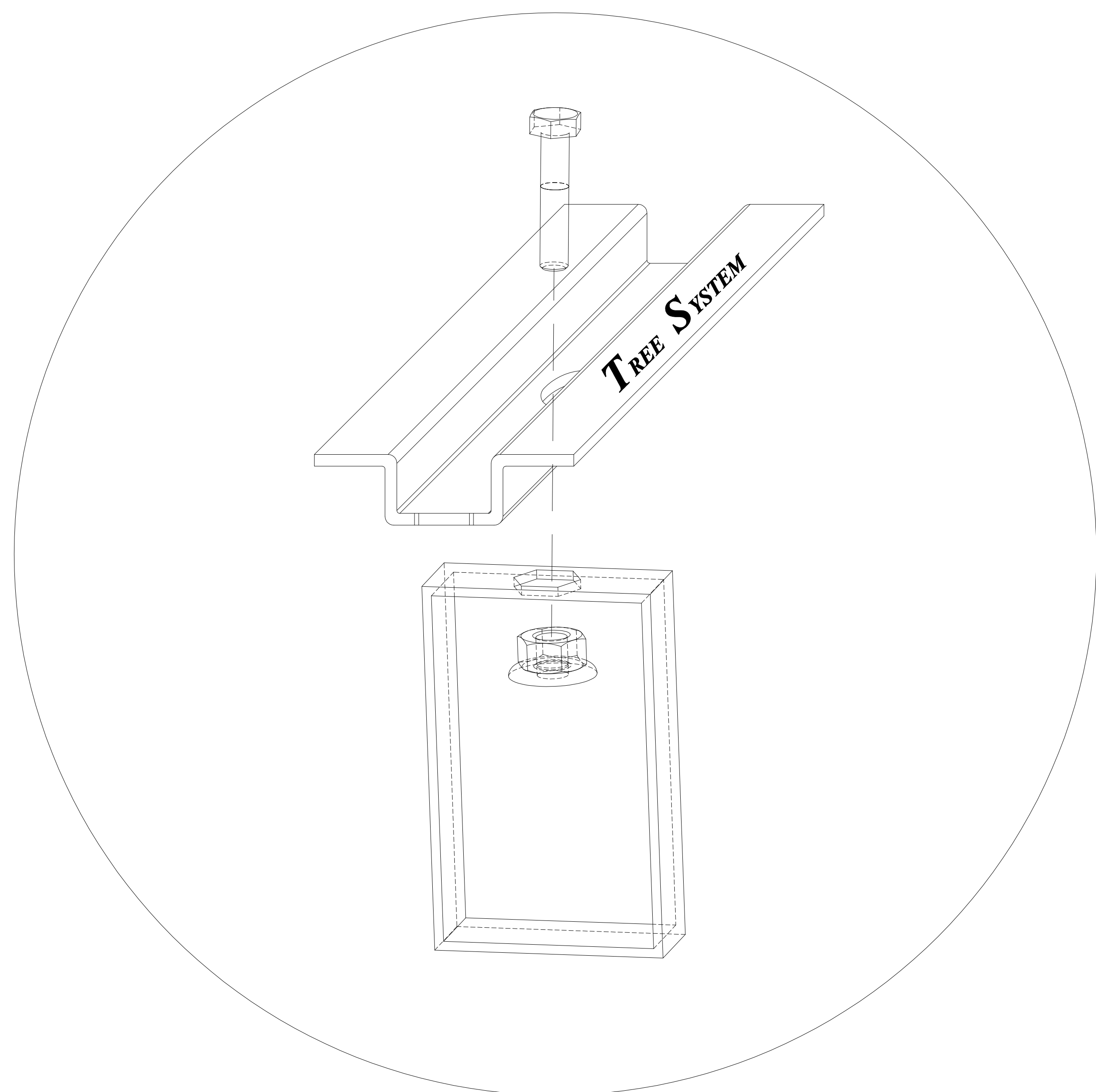
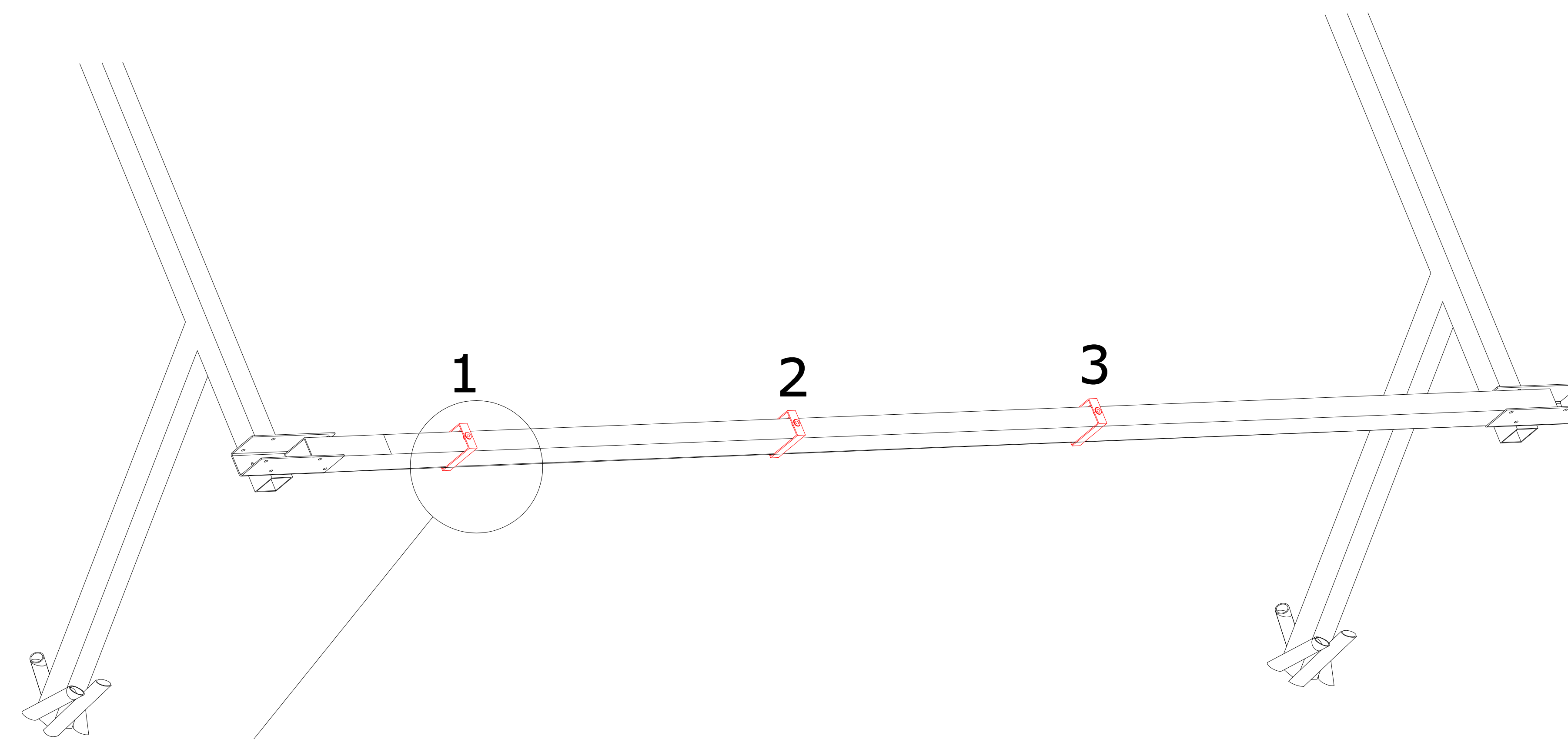
To find the exact spacing between the frames (202, 249 or 270cm) you can use two tape-measures placed one on the front side and the other one on the back side of the frames. To plot the alignment of the rack, just place a picket at the beginning and end of each one, positioned on the back side of the frame (at the bottom of the back pillar) and pull a builder line that will determine the correct alignment.

	NAME	DATE	Solelgrossisten Stock		
DRAWN	F.M	19/07/2023			
CHECKED			TITLE Spacing between the frameworks.		
 <b>TreeSystem s.r.l.</b> Via Moraro n°22, 35020, Pozzonovo (PD) Tel/fax +390429773082			SIZE	DWG N°:	REV
			SCALE:	WEIGHT:	SHEET






Collar



The "collars" to fix the modules must be inserted before fixing the horizontal beams to the frames: you have to insert **no. 2 or 3** collars for each span, while for the cantilevers it's sufficient **1** collar, as shown below.

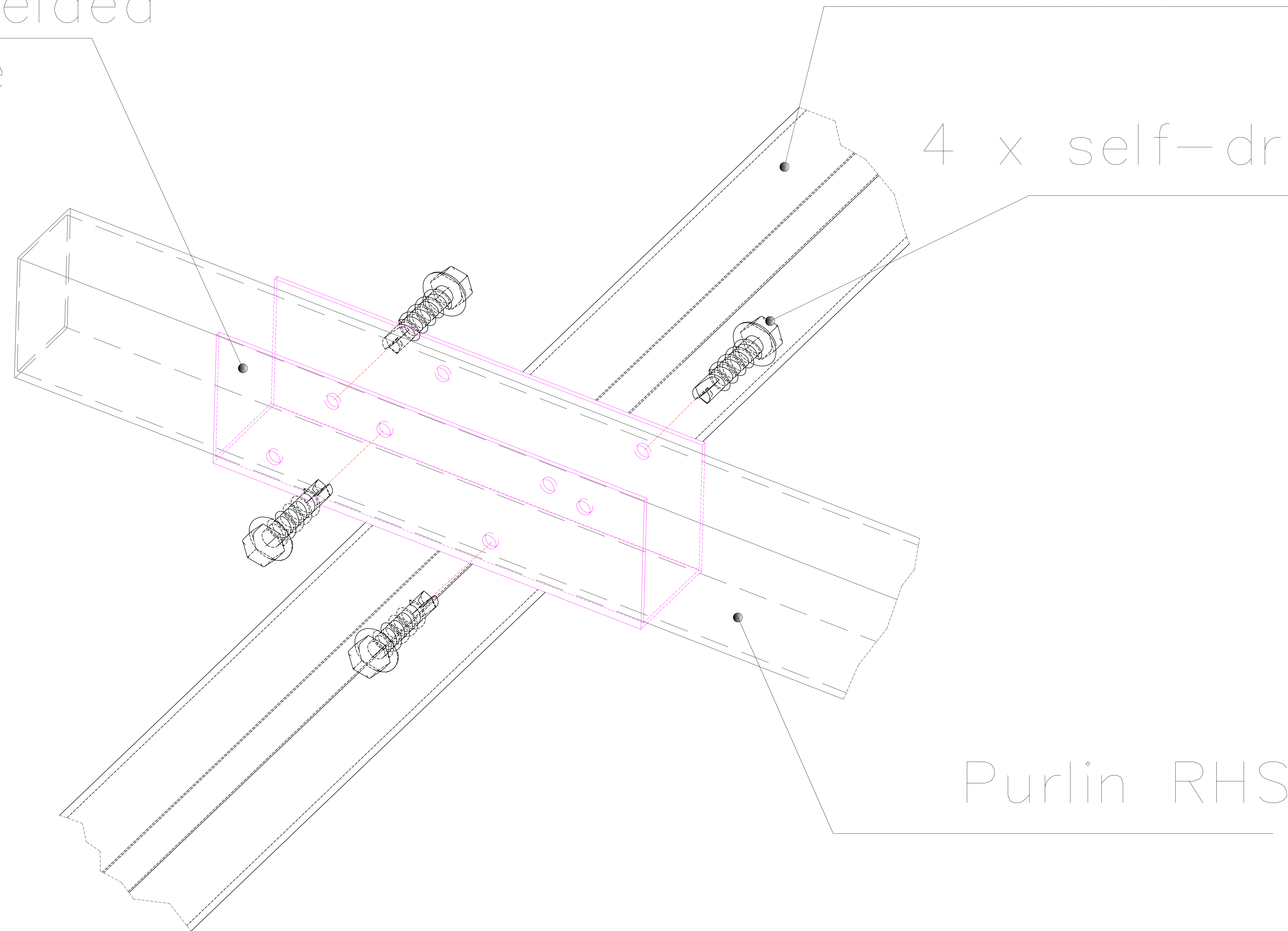
	NAME	DATE	Solelgrossisten Stock		
DRAWN	F.M	19/07/2023			
CHECKED			TITLE Insertion collars to fasten PV modules.		
 <b>TreeSystem s.r.l.</b> Via Moraro n°22, 35020, Pozzonovo (PD) Tel/fax +390429773082			SIZE	DWG N°: <b>3</b>	REV
			SCALE:	WEIGHT:	SHEET

# DETAIL "A": INITIAL POSITIONS

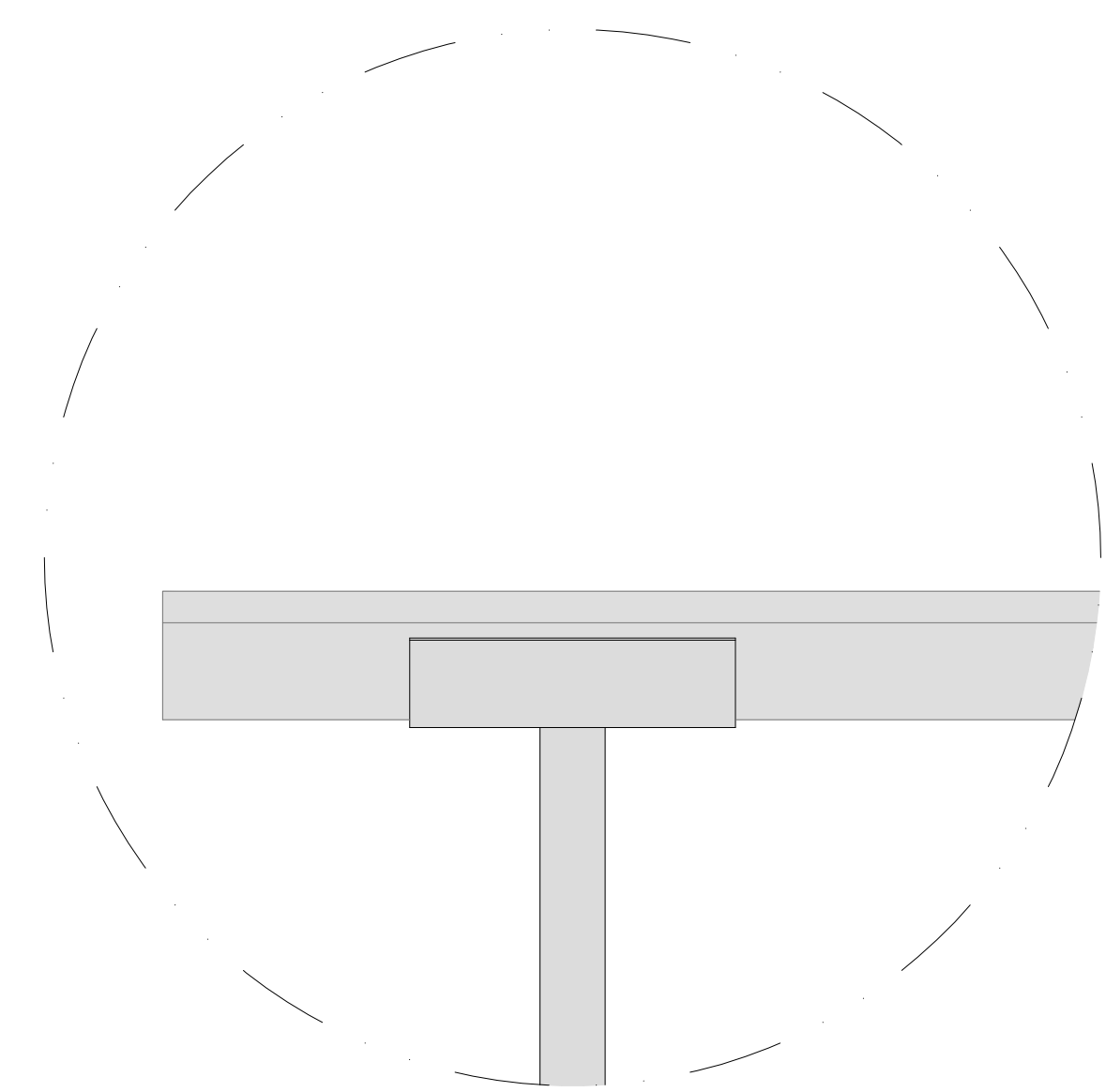
"U" profile welded to the frame

Frame RHS

4 x self-drilling screws




A



Purlin RHS

**PERMITTED TIGHTENING TORQUE OF MAX 7-8 Nm.**



NAME	DATE	Solelgrossisten Stock	
DRAWN F.M	19/07/2023	TITLE Fastening horizontal profiles to the frames.	
CHECKED		SIZE DWG N°: <b>4</b>	REV
 <b>TreeSystem s.r.l.</b> Via Moraro n°22, 35020, Pozzonovo (PD) Tel/fax +390429773082		SCALE:	WEIGHT:
		SHEET	

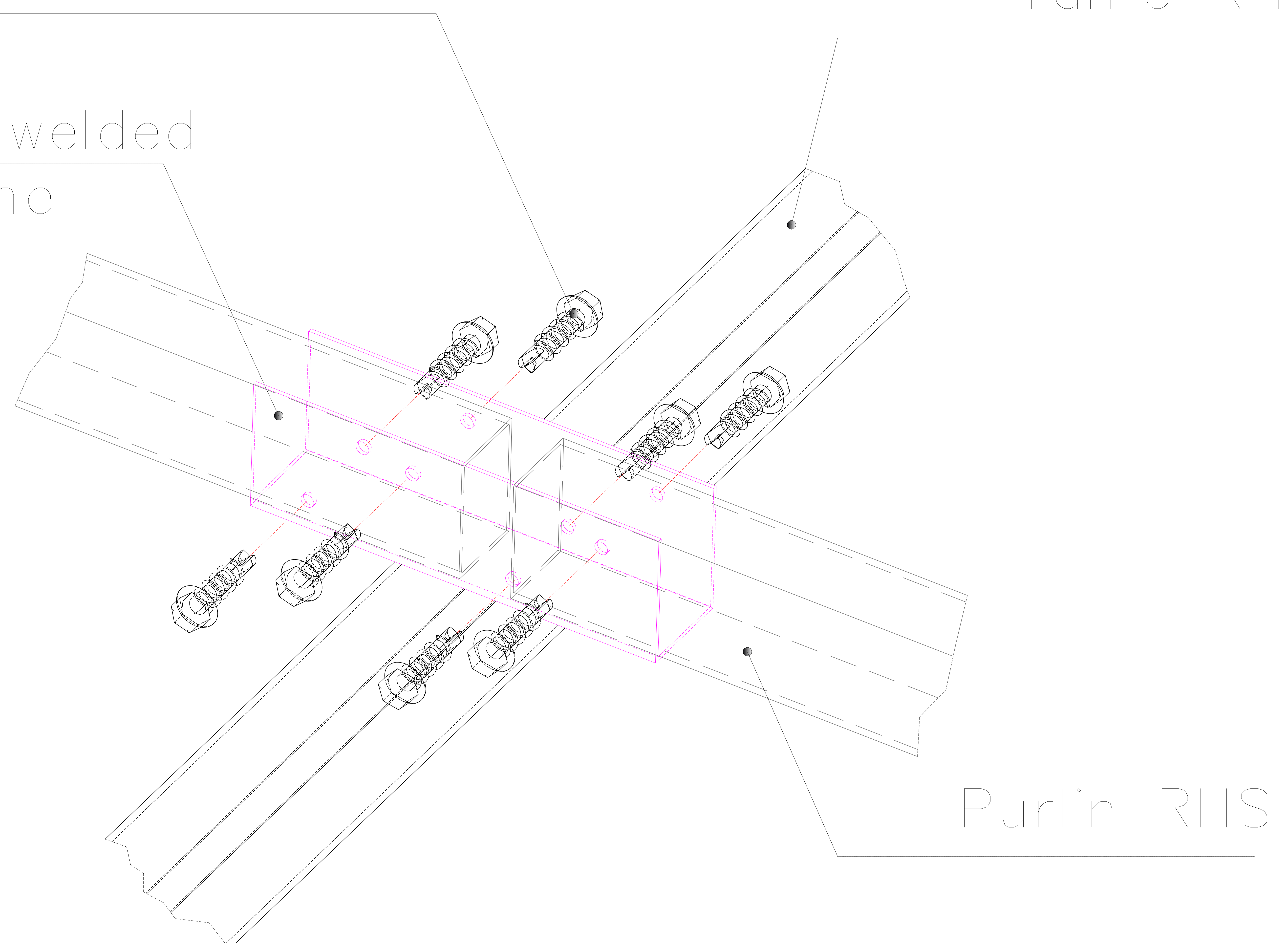


# DETAIL "B": TÊTE-à-TÊTE POSITIONS

8 x self-drilling screws

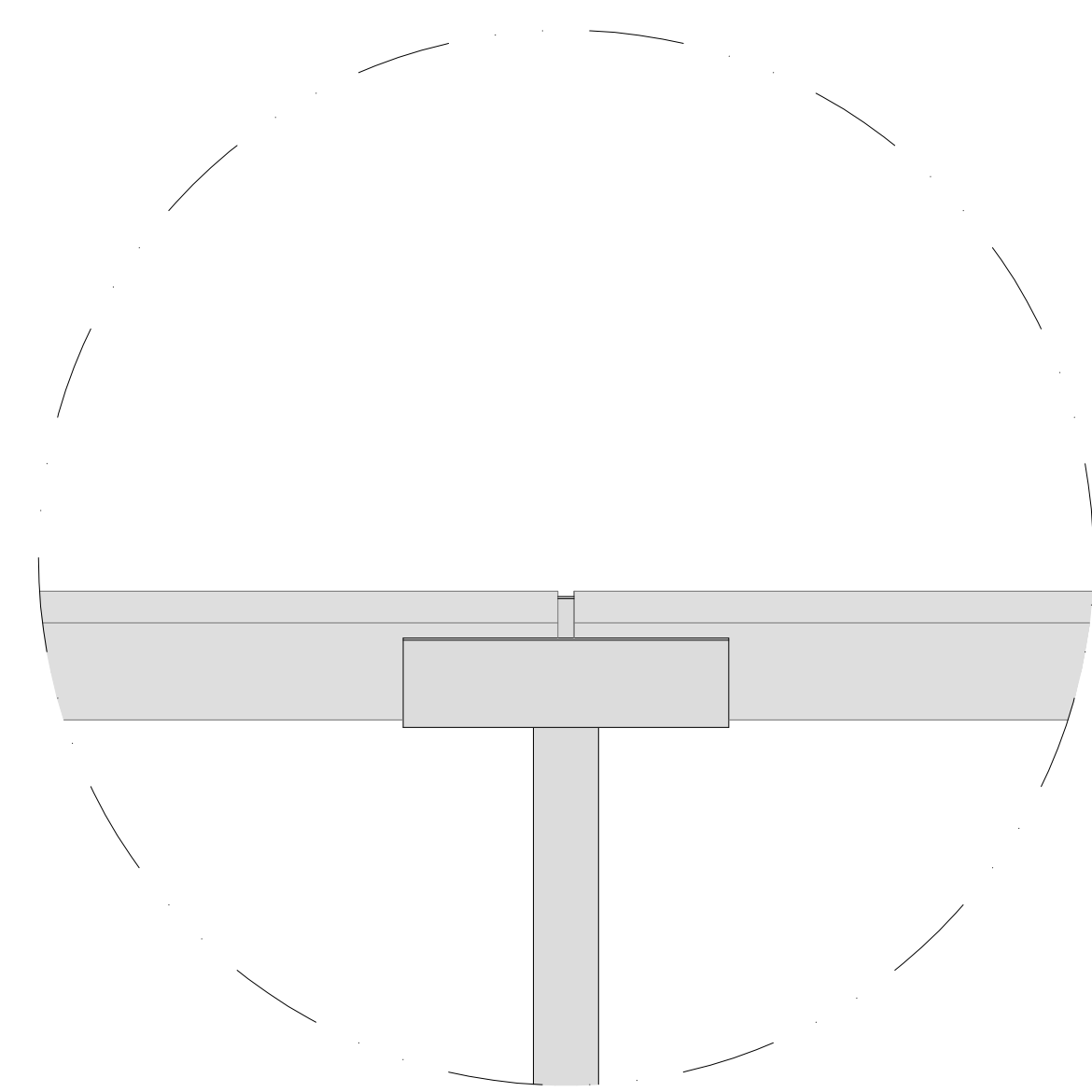
Frame RHS

"U" profile welded to the frame



Purlin RHS

**B**



**PERMITTED TIGHTENING TORQUE OF MAX 7-8 Nm.**



DRAWN	NAME	DATE	Solelgrossisten Stock	
CHECKED	F.M	19/07/2023	TITLE Fastening horizontal profiles to the frames.	
			SIZE	REV
			DWG N°: <b>5</b>	
			SCALE:	WEIGHT: SHEET

**TREE SYSTEM**  
**TreeSystem s.r.l.**  
 Via Moraro n°22, 35020, Pozzonovo (PD)  
 Tel/fax +390429773082

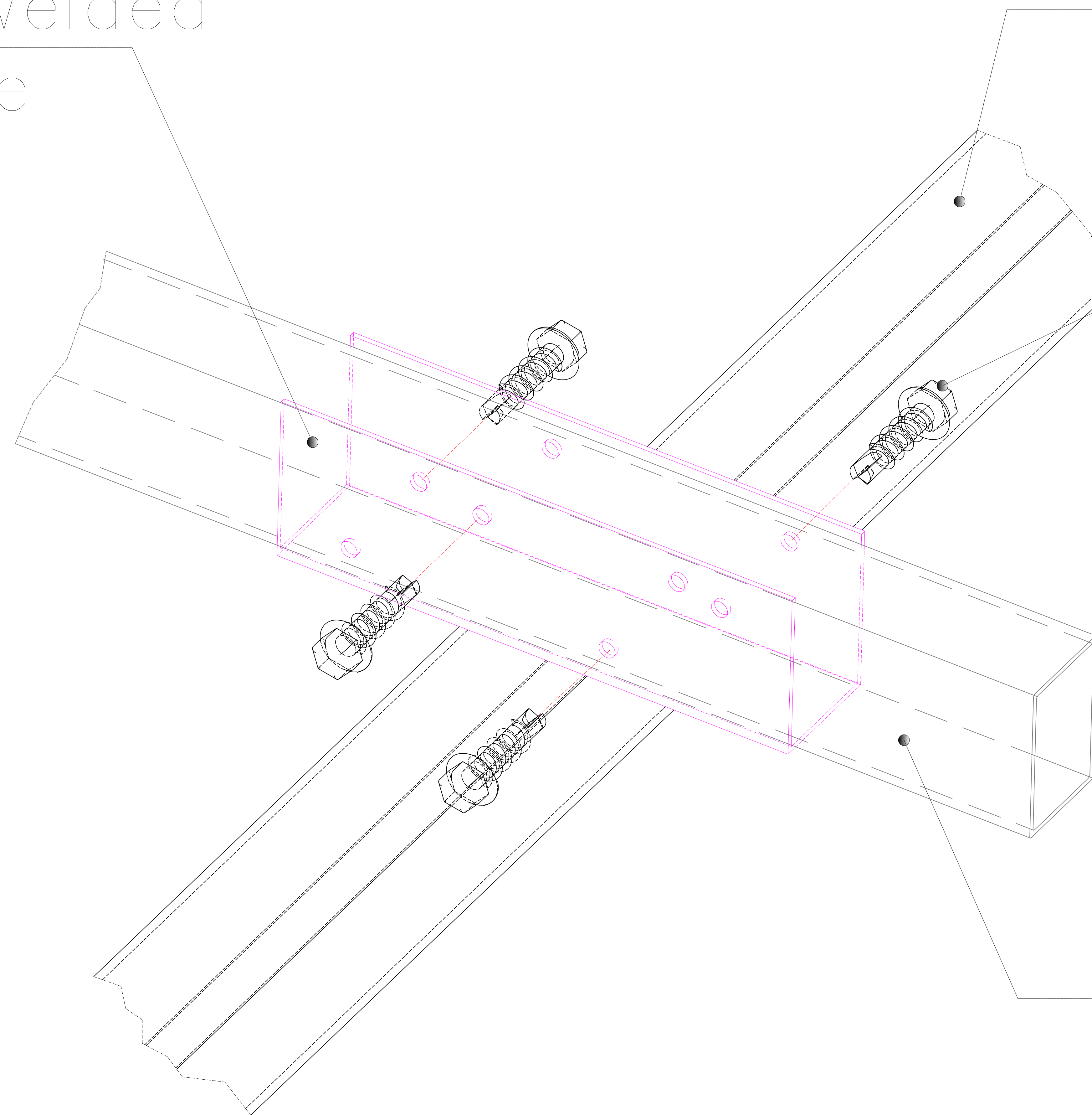


# DETAIL "C": FINAL POSITIONS

"U" profile welded to the frame

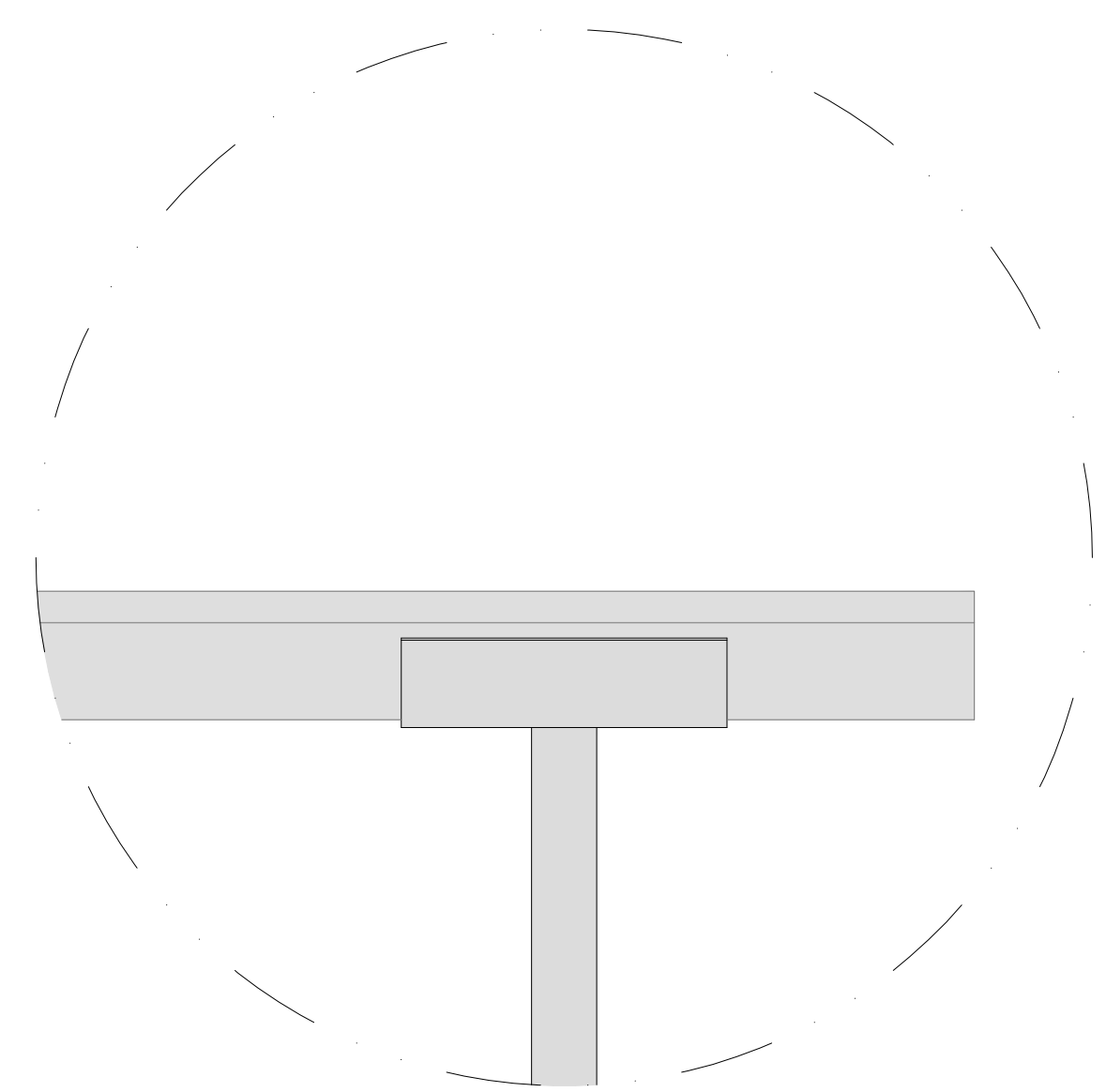
Frame RHS

4 x self-drilling screws




Purlin RHS

C

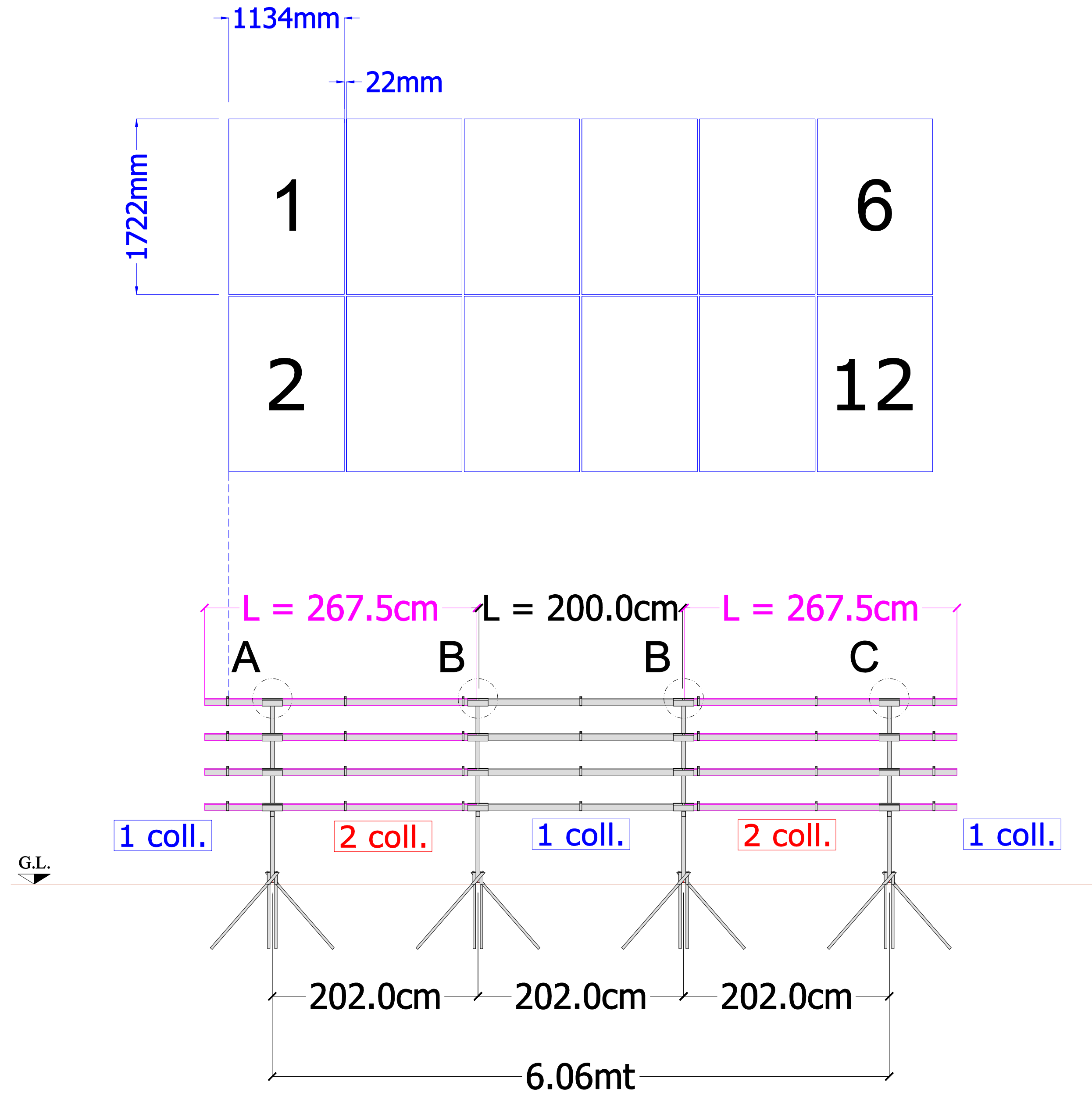
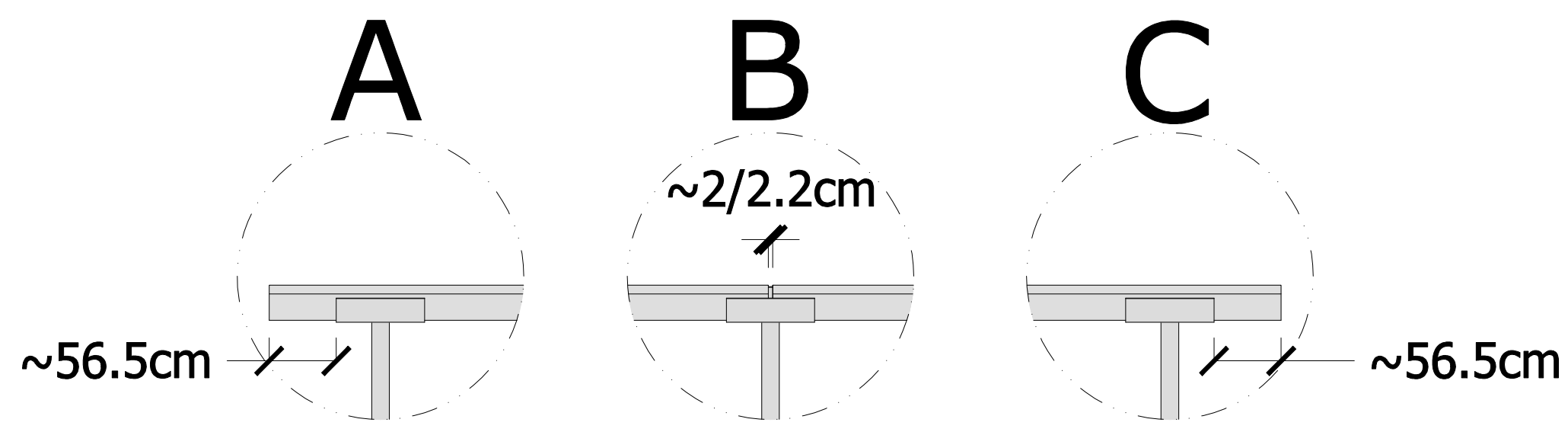


**PERMITTED TIGHTENING TORQUE OF MAX 7-8 Nm.**



NAME	DATE	Solelgrossisten Stock	
DRAWN F.M	19/07/2023	TITLE Fastening horizontal profiles to the frames.	
CHECKED			
 <b>TreeSystem s.r.l.</b> Via Moraro n°22, 35020, Pozzonovo (PD) Tel/fax +390429773082		SIZE DWG N°:	6
		SCALE:	WEIGHT:





For each rack, it is required:

- 4 FRAMEWORKS 35°;
- 4 PURLINS L=200cm;
- 8 PURLINS L=267.5cm;
- 28 COLLARS.

**DO NOT CUT THE HORIZONTAL PROFILES FOR ANY REASONS, SINCE THEY ARE ALREADY CUT ON SIZE.**


## Tipology of rack: **6+6**

Complete package with mounting material for ground installation based on 2 rows of 6 solar panels with dimensions 1722 x 1134 x 30 mm. Portrait orientation, 35° tilt.

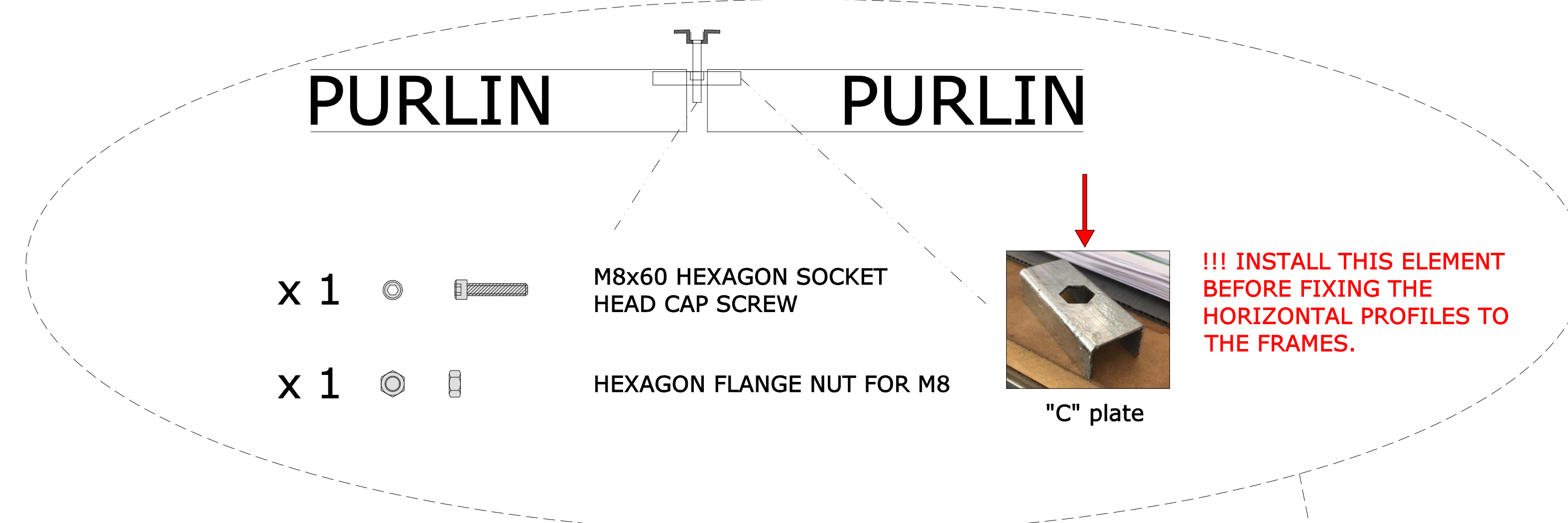
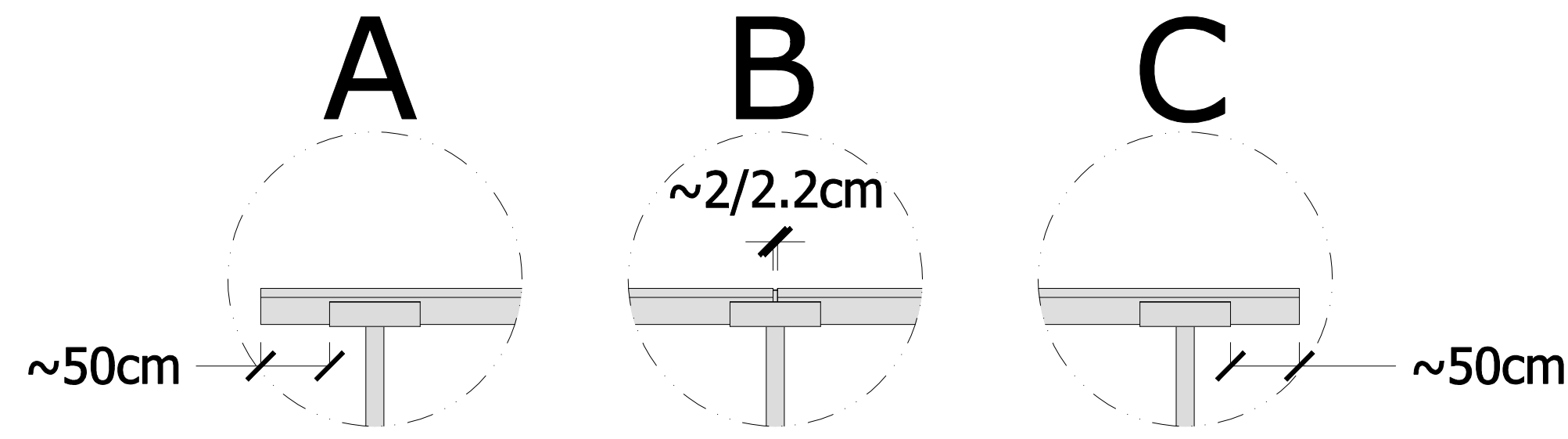
The 2x6 package is based on the ZXM7-UHLDD108 Bifacial 410W which has a height measurement of 1722 mm and a width measurement of 1134 mm.

It is possible to use 60/120 cell panels with height measurements between 1600 - 1800 mm.

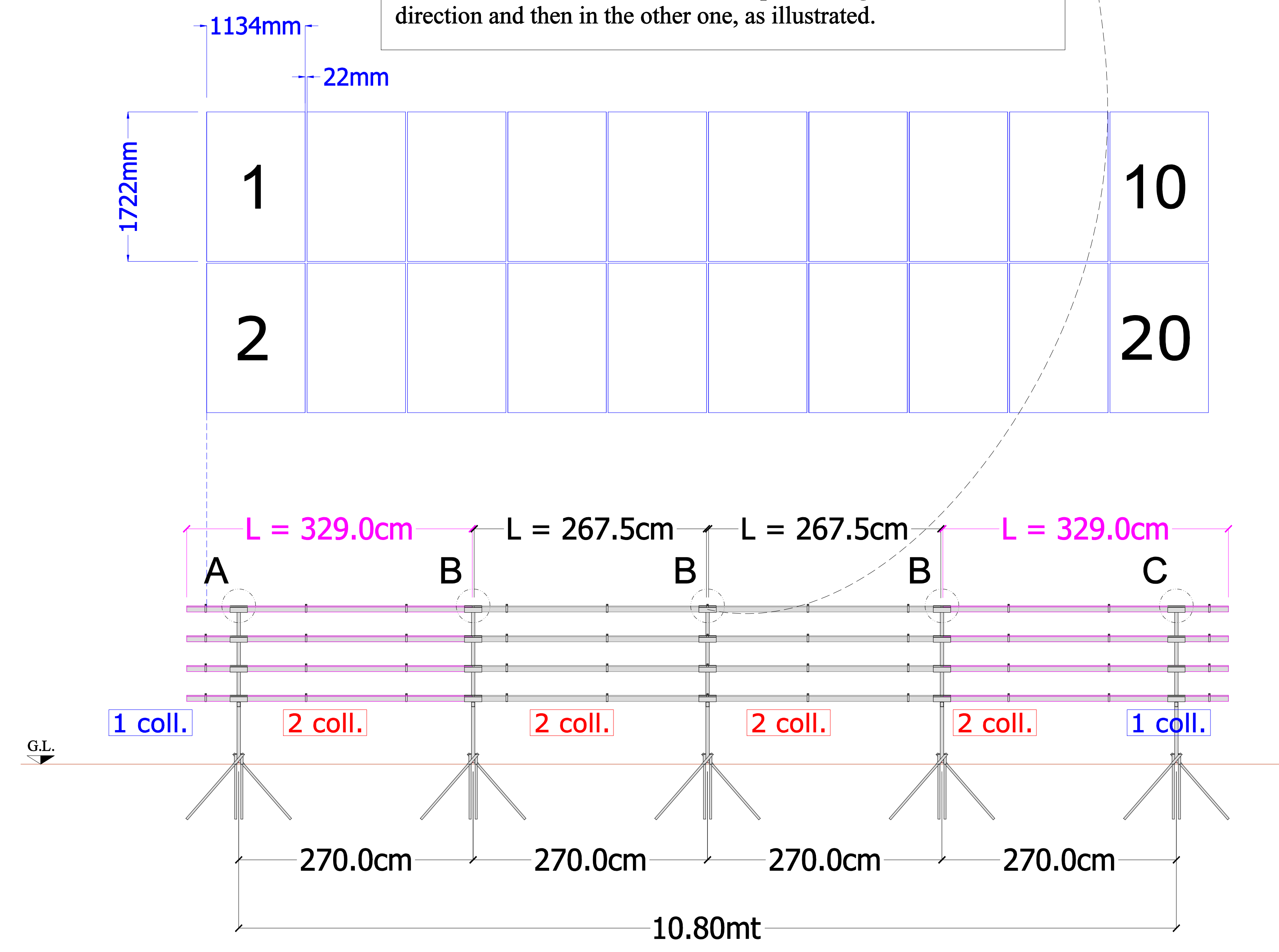
It is possible to use 60/120 cell panels with a different width measurement, resulting in fewer panels/row.

	NAME	DATE	Solelgrossisten Stock		
DRAWN	F.M	19/07/2023			
CHECKED					
			TITLE Layout Racks.		
 <b>TreeSystem s.r.l.</b> <small>Via Moraro n°22, 35020, Pozzonovo (PD) Tel/fax +390429773082</small>			SIZE	DWG N°: <b>7</b>	REV
			SCALE:	WEIGHT:	SHEET





**Starting point:** for a correct installation of PV modules, you should start from the middle of the rack and proceeding before in one direction and then in the other one, as illustrated.



- For each rack, it is required:
- 5 FRAMEWORKS 35°;
  - 8 PURLINS L=329cm;
  - 8 PURLINS L=267.5cm;
  - 40 COLLARS;
  - 4 "C" PLATES.
- DO NOT CUT THE HORIZONTAL PROFILES FOR ANY REASONS, SINCE THEY ARE ALREADY CUT ON SIZE.**


## Tipology of rack: **10+10**

Complete package with mounting material for ground installation based on 2 rows of 6 solar panels with dimensions 1722 x 1134 x 30 mm. Portrait orientation, 35° tilt.

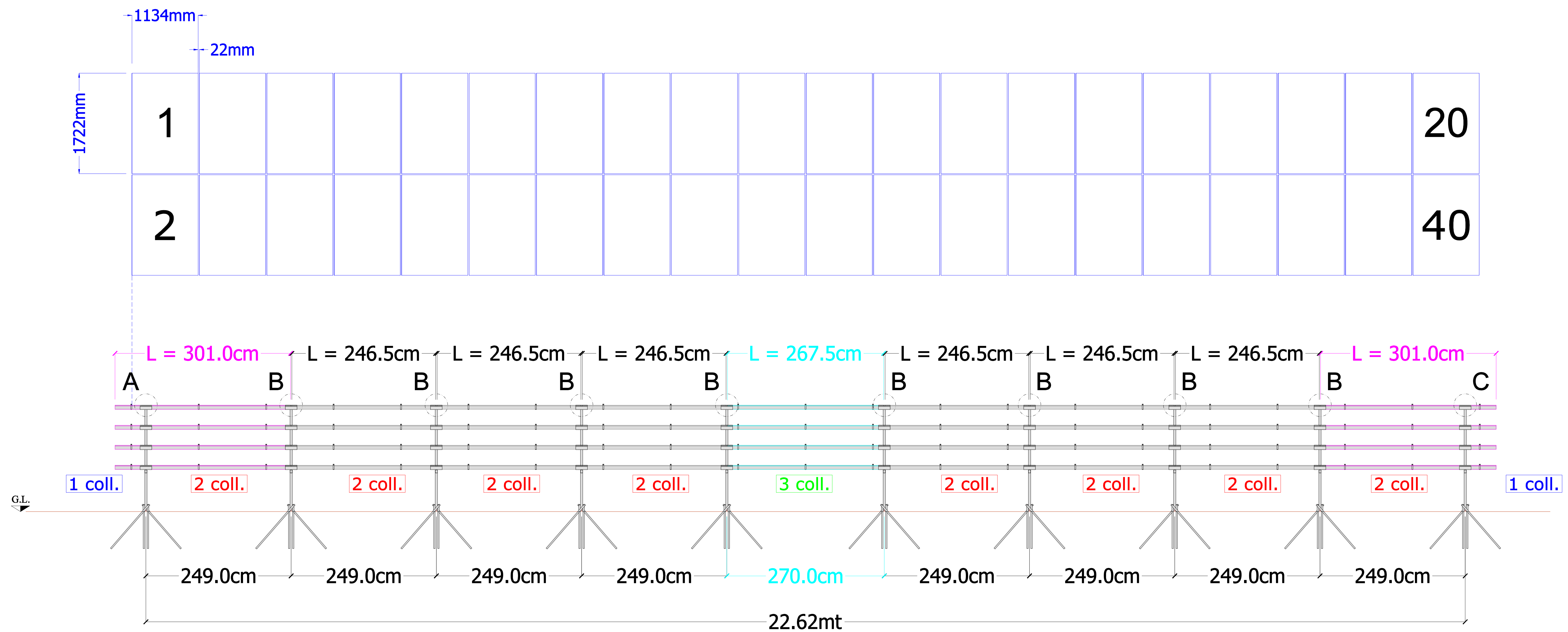
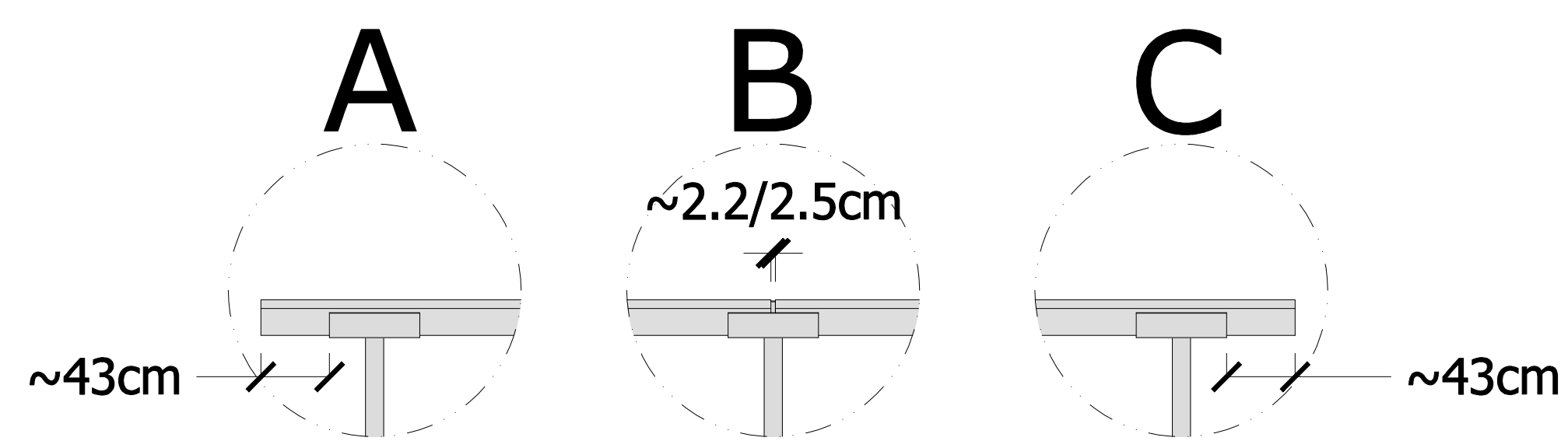
The 2x10 package is based on the ZXM7-UHLDD108 Bifacial 410W which has a height measurement of 1722 mm and a width measurement of 1134 mm.

It is possible to use 60/120 cell panels with height measurements between 1600 - 1800 mm.

It is possible to use 60/120 cell panels with a different width measurement, resulting in fewer panels/row.

	NAME	DATE	Solelgrossisten Stock			
DRAWN	F.M	19/07/2023				
CHECKED			TITLE Layout Racks.			
 <b>TreeSystem s.r.l.</b> Via Moraro n°22, 35020, Pozzonovo (PD) Tel/fax +390429773082			SIZE	DWG N°:	<b>8</b>	REV
SCALE:		WEIGHT:		SHEET		





- For each rack, it is required:
- 10 FRAMEWORKS 35°;
  - 8 PURLINS L=301cm;
  - 4 PURLINS L=267.5cm;
  - 24 PURLINS L=246.5cm;
  - 84 COLLARS.
- DO NOT CUT THE HORIZONTAL PROFILES FOR ANY REASONS, SINCE THEY ARE ALREADY CUT ON SIZE.**


## Tipology of rack: 20+20

Complete package with mounting material for ground installation based on 2 rows of 6 solar panels with dimensions 1722 x 1134 x 30 mm. Portrait orientation, 35° tilt.

The 2x20 package is based on the ZXM7-UHLDD108 Bifacial 410W which has a height measurement of 1722 mm and a width measurement of 1134 mm.

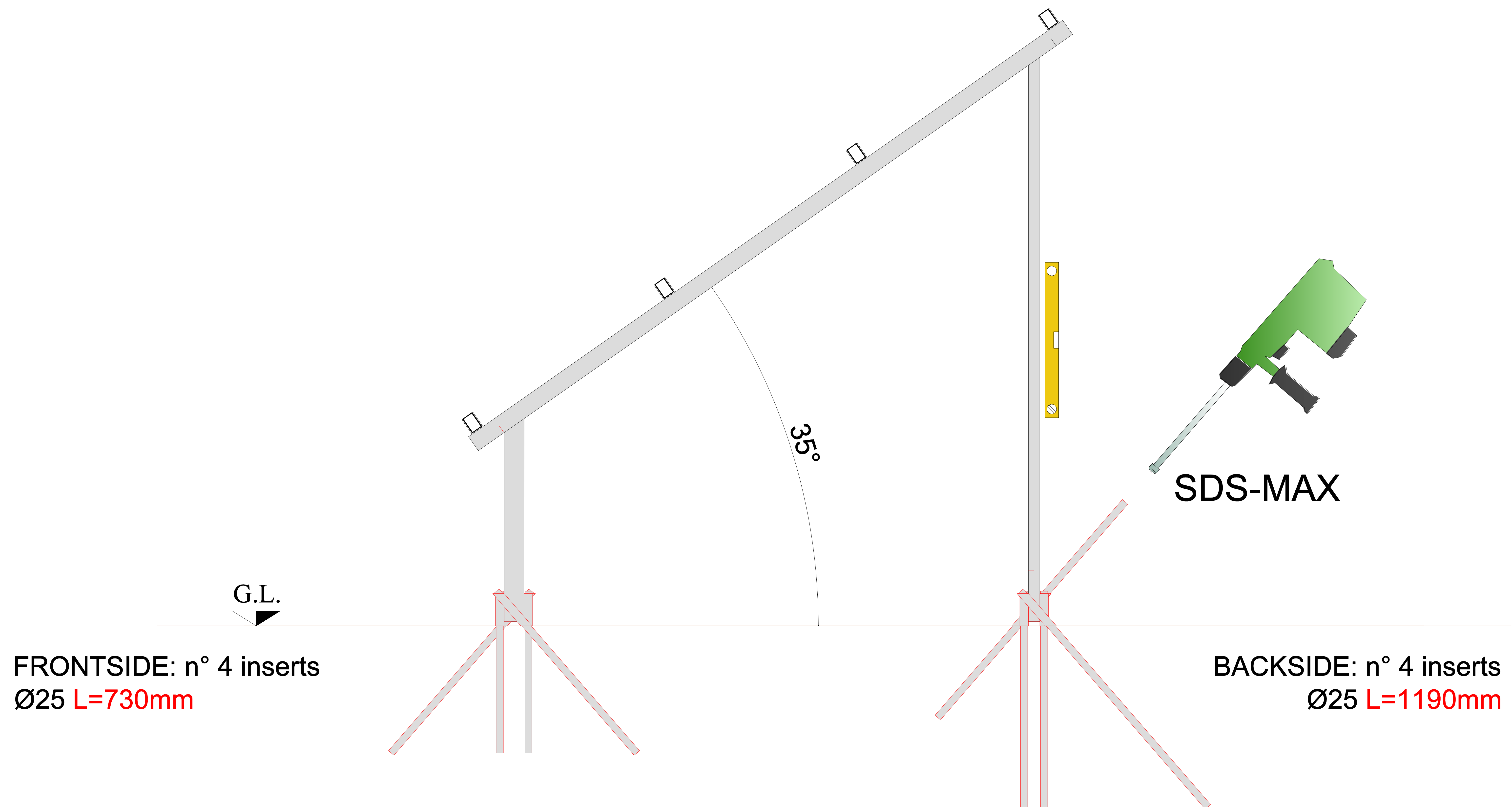
It is possible to use 60/120 cell panels with height measurements between 1600 - 1800 mm.

It is possible to use 60/120 cell panels with a different width measurement, resulting in fewer panels/row.

	NAME	DATE	Solelgrossisten Stock		
DRAWN	F.M	19/07/2023			
CHECKED			TITLE Layout Racks.		
 <b>TreeSystem s.r.l.</b> Via Moraro n°22, 35020, Pozzonovo (PD) Tel/fax +390429773082			SIZE	DWG N°:	REV
			SCALE:	WEIGHT:	SHEET

9

PAY ATTENTION TO THE DIFFERENT LENGTH OF THE INSERTS.



Driving-in the inserts to the ground through guides placed at the base of the frames, using a jack-hammer with SDS-MAX attack for tool, only when all the structure is installed and it has checked that the spirit level giving the transverse orientation of the structure indicates the horizontal.

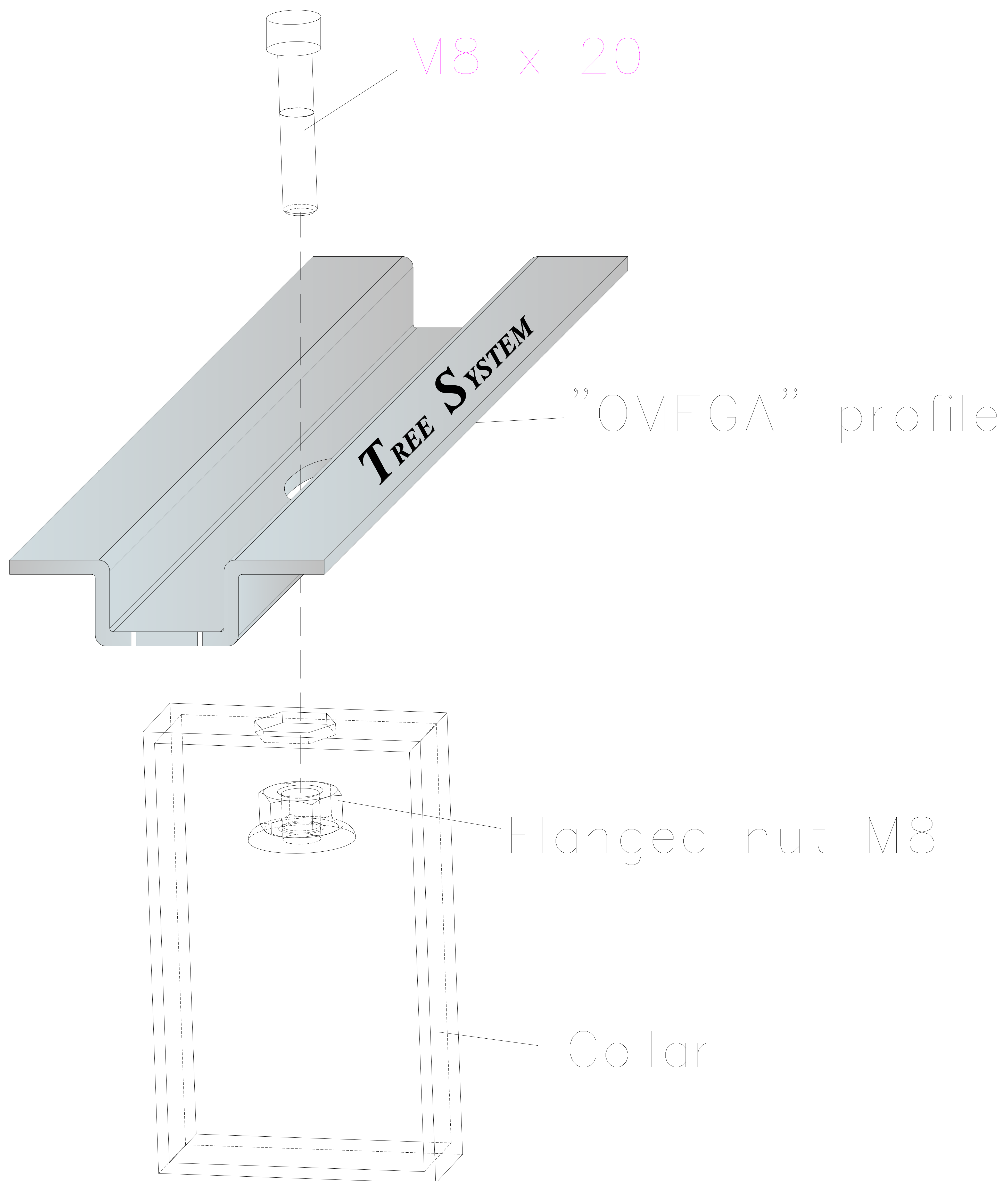
IN CASE OF DAMAGING OF THE COATING DURING THE INSTALLATION, BE CAREFUL TO REPAIR IT PROMPTLY.

	NAME	DATE		
DRAWN	F.M	19/07/2023	Solelgrossisten Stock	
CHECKED				
			TITLE	
			Anchoring the structure to the ground.	
SIZE	DWG N°:		10	REV
SCALE:	WEIGHT:	SHEET		

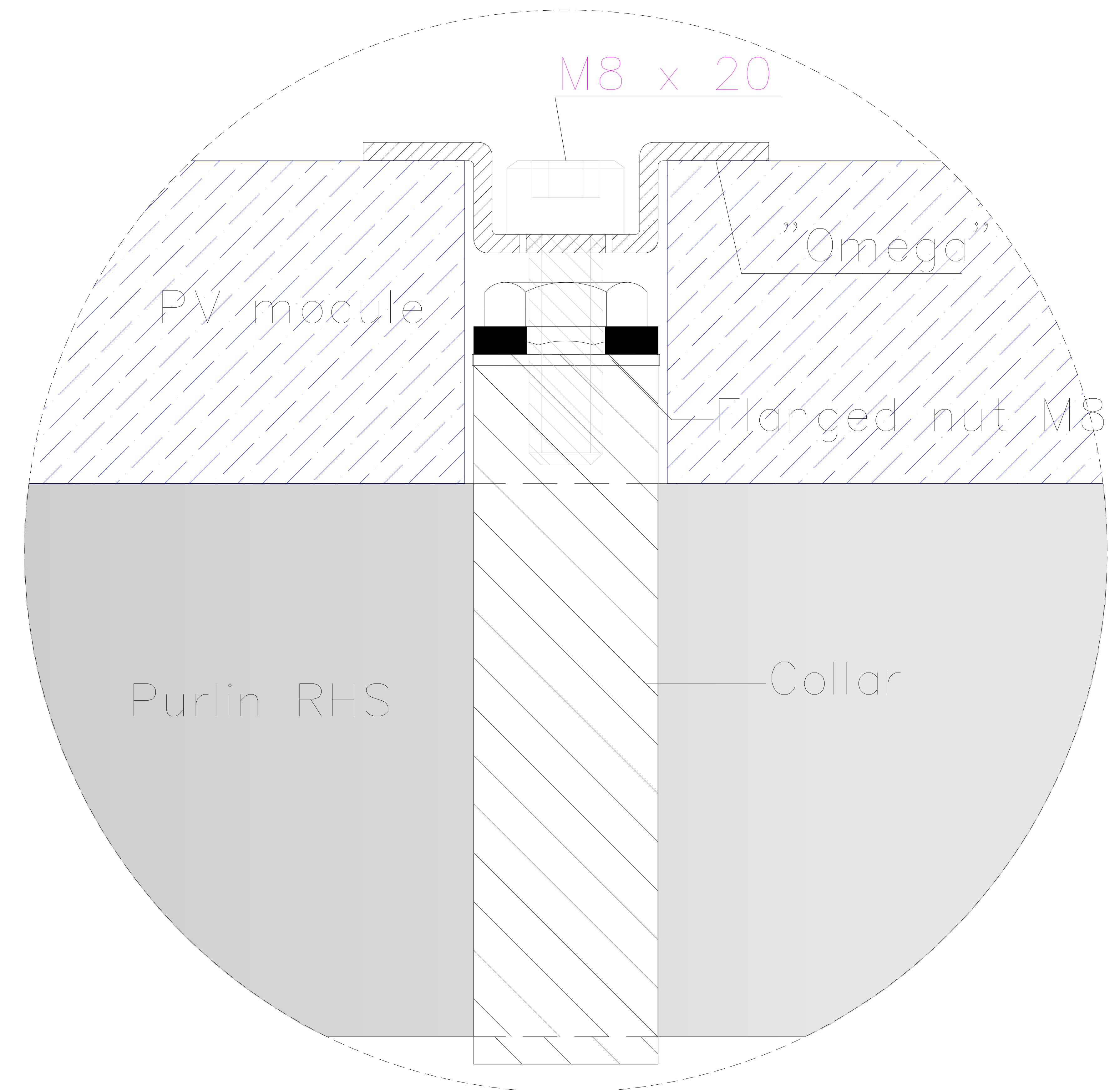


TreeSystem s.r.l.  
Via Moraro n°22, 35020, Pozzonovo (PD)  
Tel/fax +390429773082





# DETAIL "D"



**PERMITTED TIGHTENING TORQUE OF MAX 10 Nm (to be verified with the prescriptions of the module manufacturer).**



		NAME	DATE		
DRAWN		F.M	19/07/2023	Solelgrossisten Stock	
CHECKED					
			TITLE Fastening for photovoltaic modules.		
SIZE	DWG N°:	<b>11</b>		REV	
SCALE:	WEIGHT:	SHEET			



**TreeSystem s.r.l.**  
Via Moraro n°22, 35020, Pozzonovo (PD)  
Tel/fax +390429773082

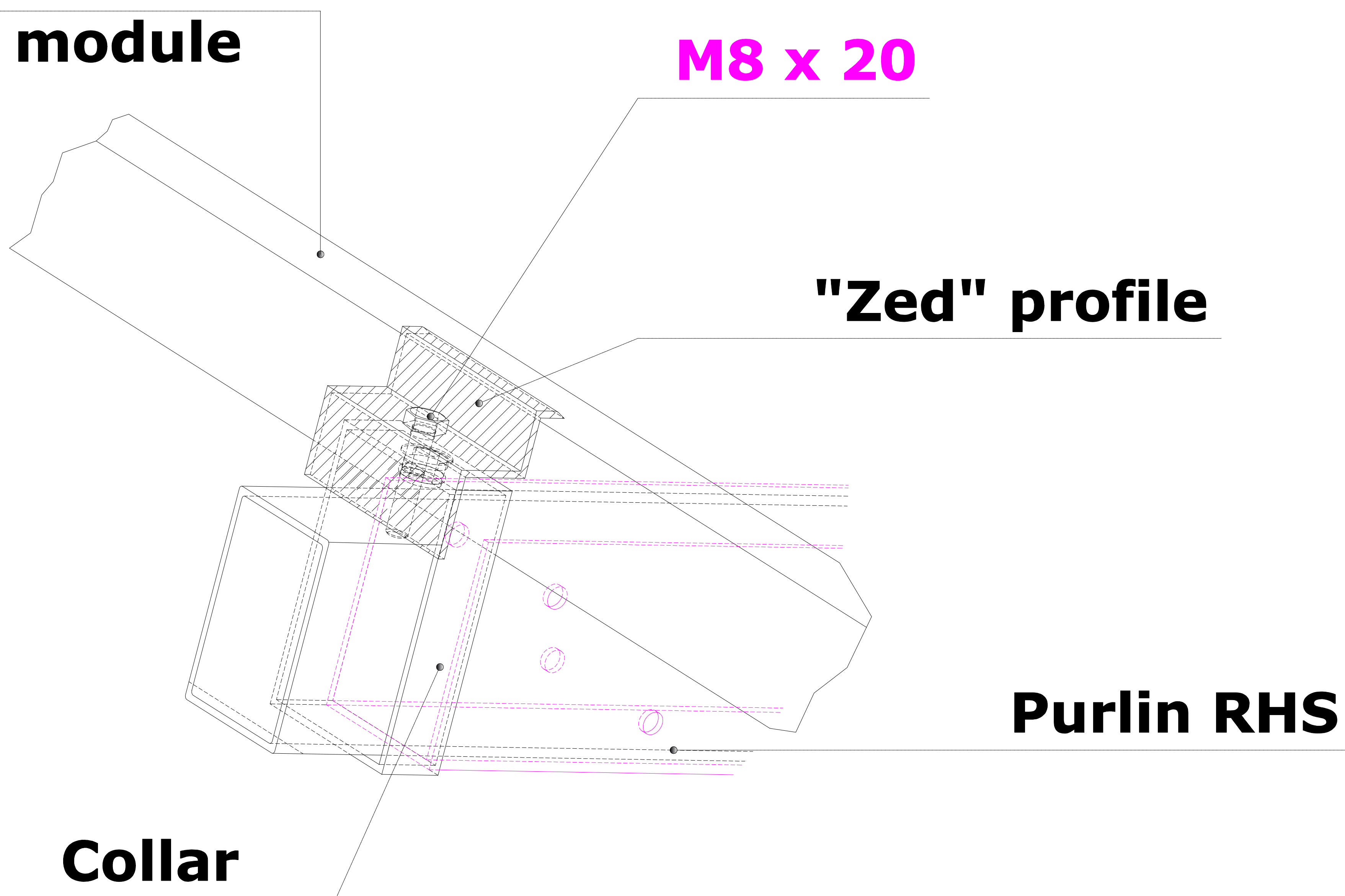
**Abutment of the module**

**M8 x 20**

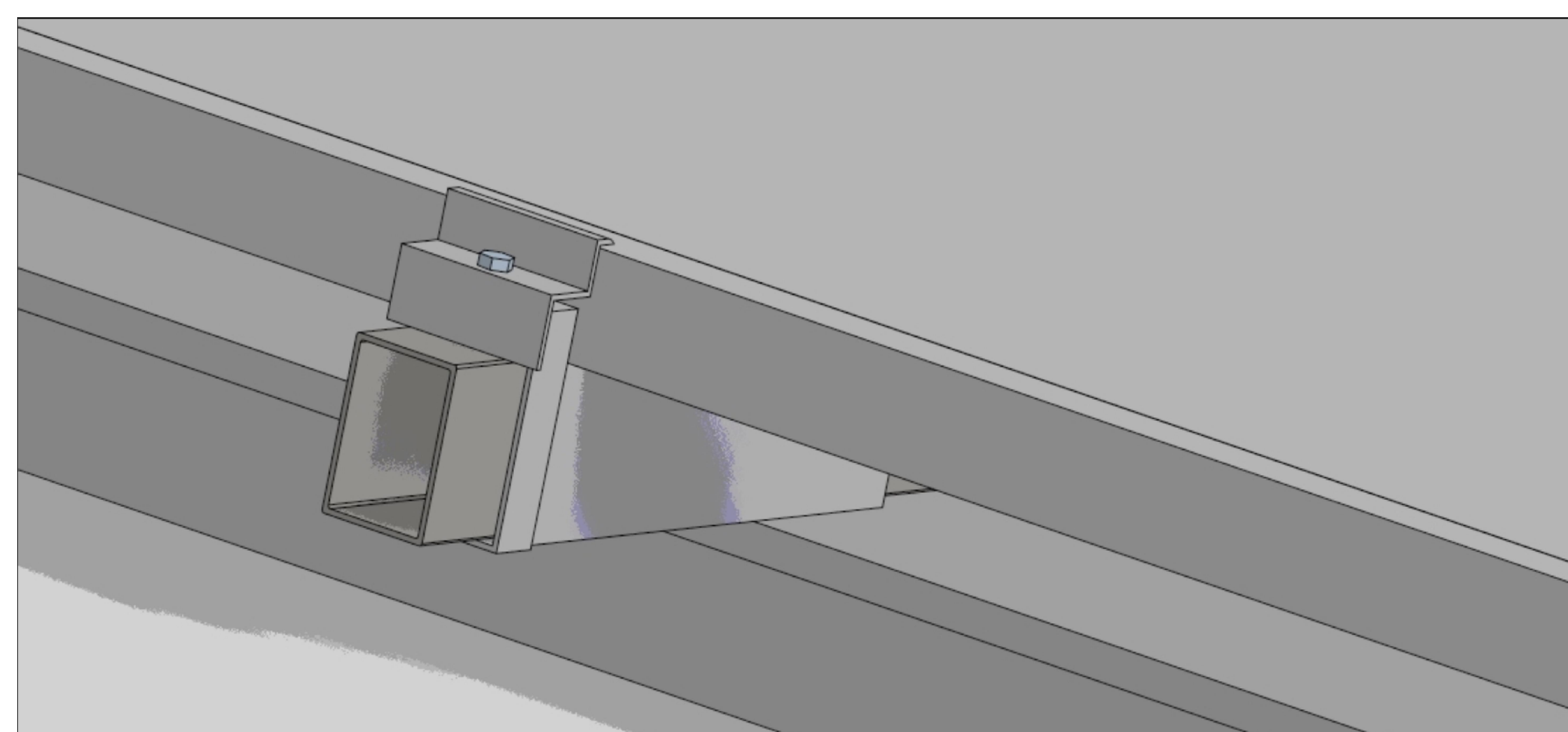
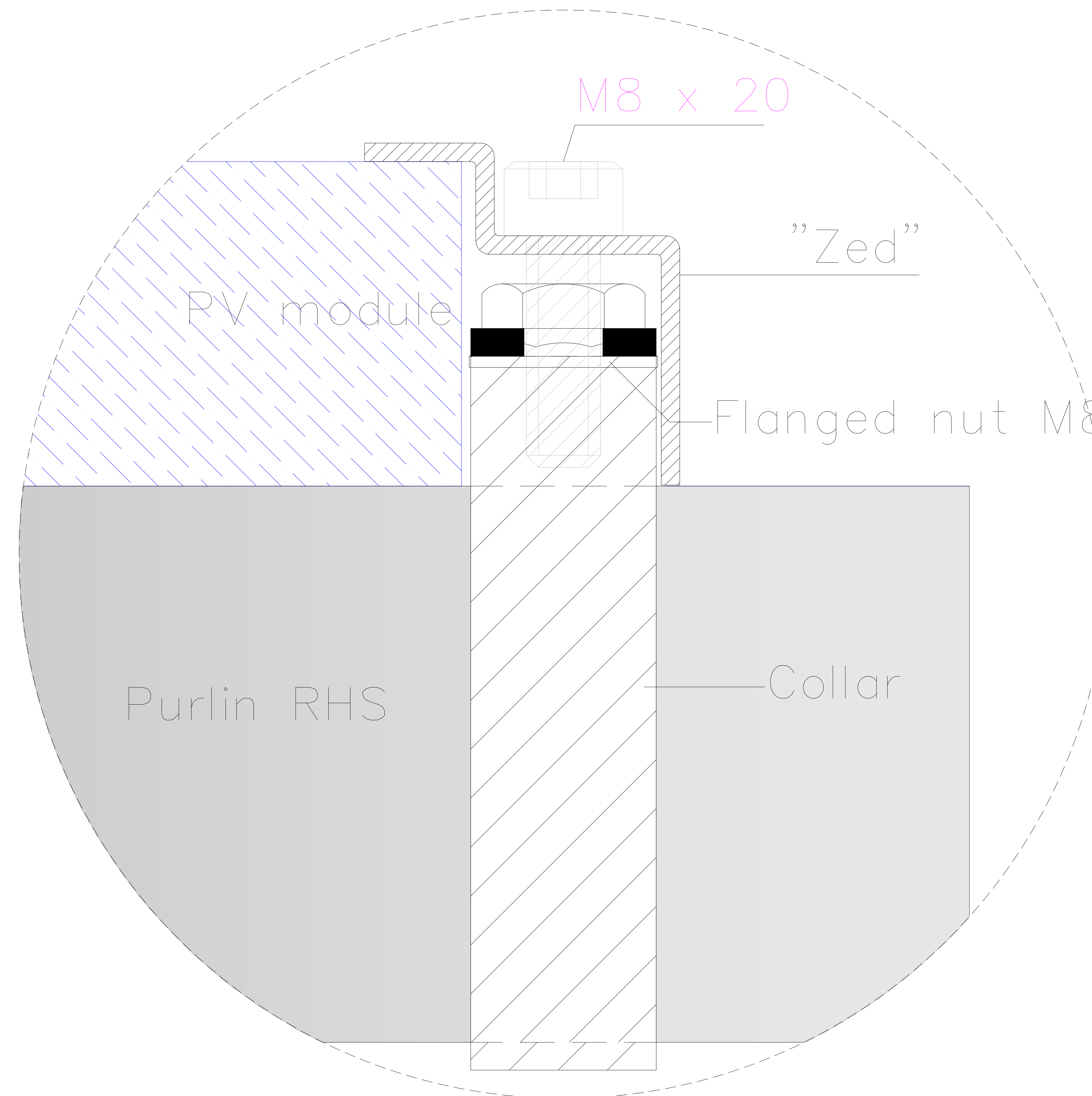
**"Zed" profile**

**Purlin RHS**

**Collar**



# DETAIL "E"



**PERMITTED TIGHTENING TORQUE OF MAX 10 Nm (to be verified with the prescriptions of the module manufacturer).**



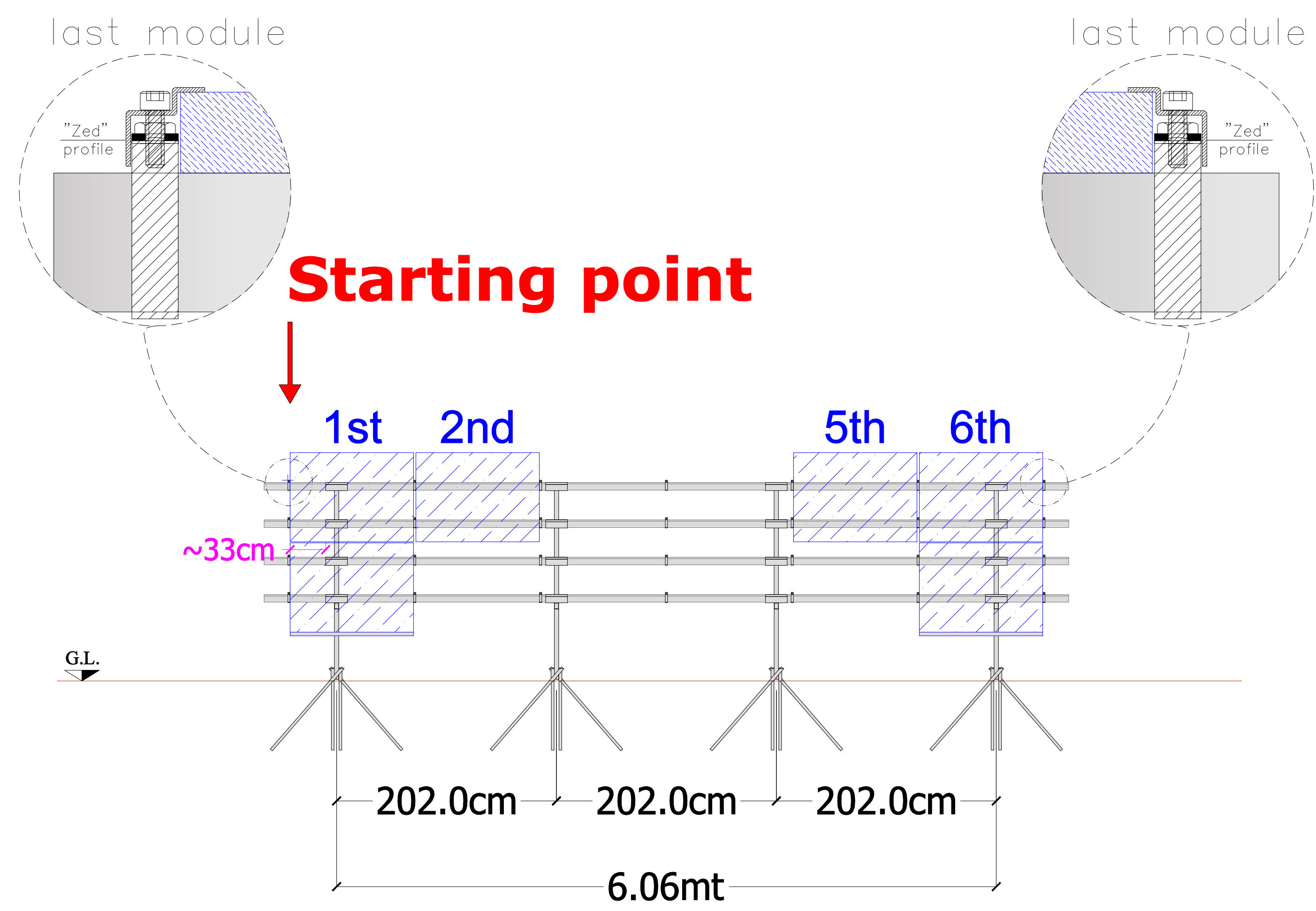
NAME	DATE	Solelgrossisten Stock	
DRAWN	F.M	19/07/2023	
CHECKED			
TITLE		Fastening for photovoltaic modules.	
SIZE	DWG N°:	<b>12</b>	REV
SCALE:	WEIGHT:	SHEET	



**TreeSystem s.r.l.**  
Via Moraro n°22, 35020, Pozzonovo (PD)  
Tel/fax +390429773082

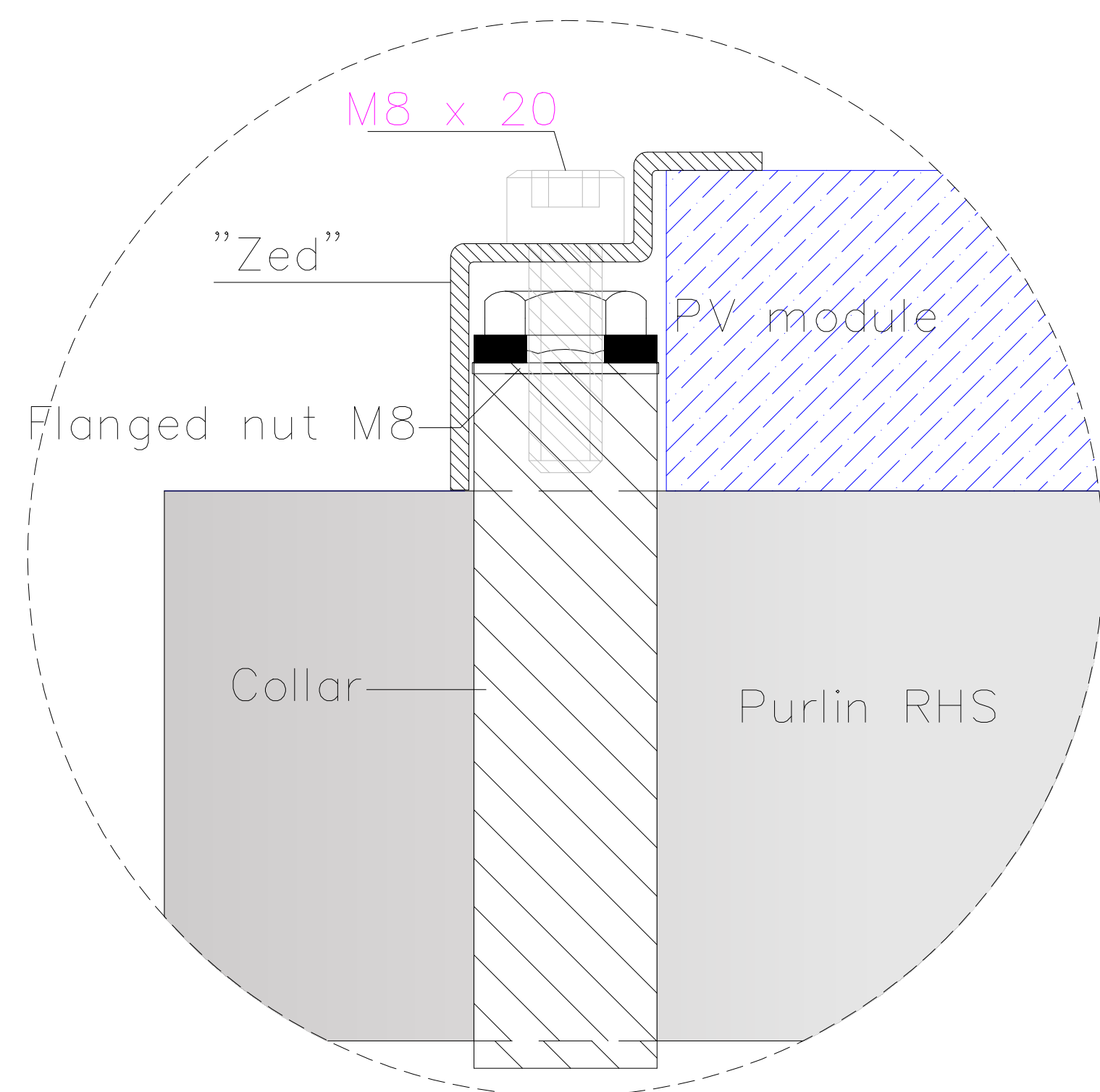


**Starting point:** for a correct installation of PV modules, you should start from the red point, keeping the first PV module of the row at about **33cm** from the left edge of the "U" profile welded on the first framework and going ahead to the right, as illustrated.




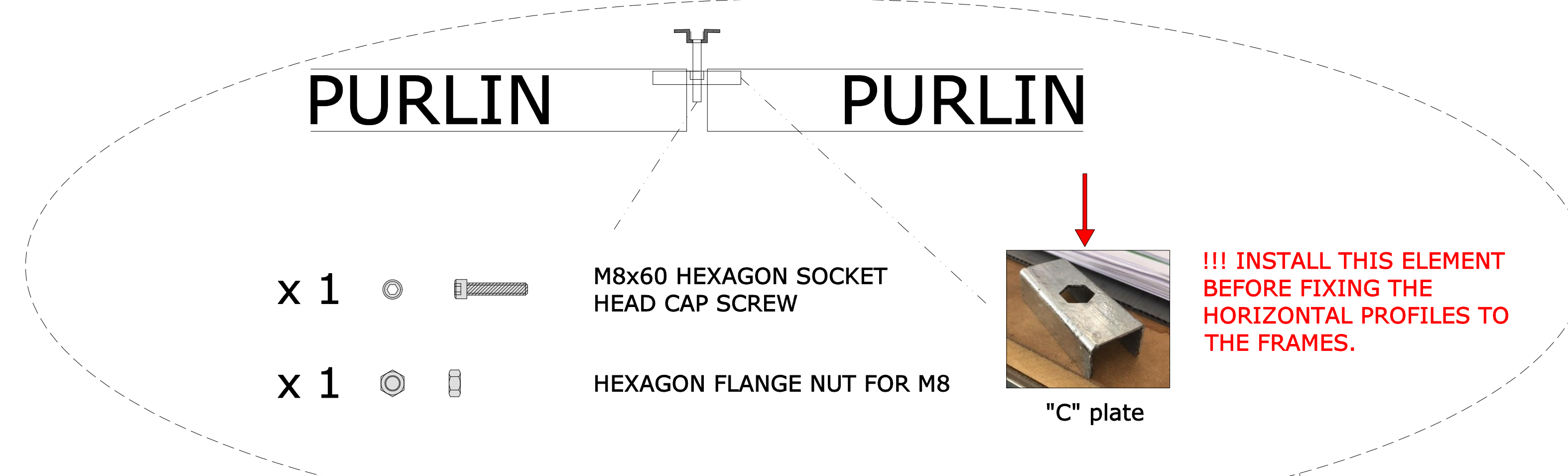
## Tipology of rack: **6+6**

### DETAIL "E"

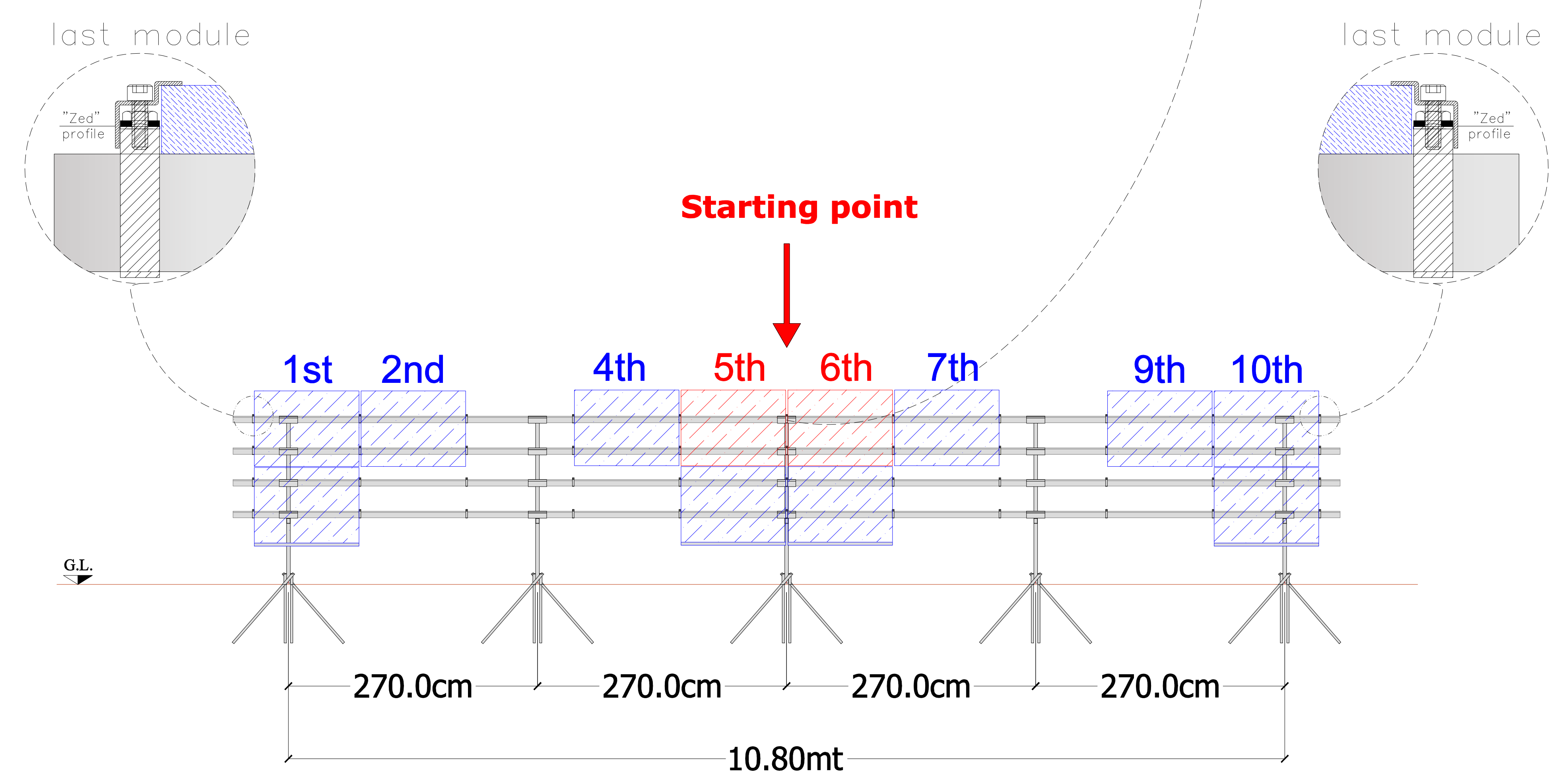


**PERMITTED TIGHTENING TORQUE OF MAX 10 Nm (to be verified with the prescriptions of the module manufacturer).**

	NAME	DATE	Solelgrossisten Stock		
DRAWN	F.M	19/07/2023	TITLE Fastening for photovoltaic modules.		
CHECKED					
 <b>TreeSystem s.r.l.</b> Via Moraro n°22, 35020, Pozzonovo (PD) Tel/fax +390429773082			SIZE	DWG N°: <b>13</b>	REV
			SCALE:	WEIGHT:	SHEET

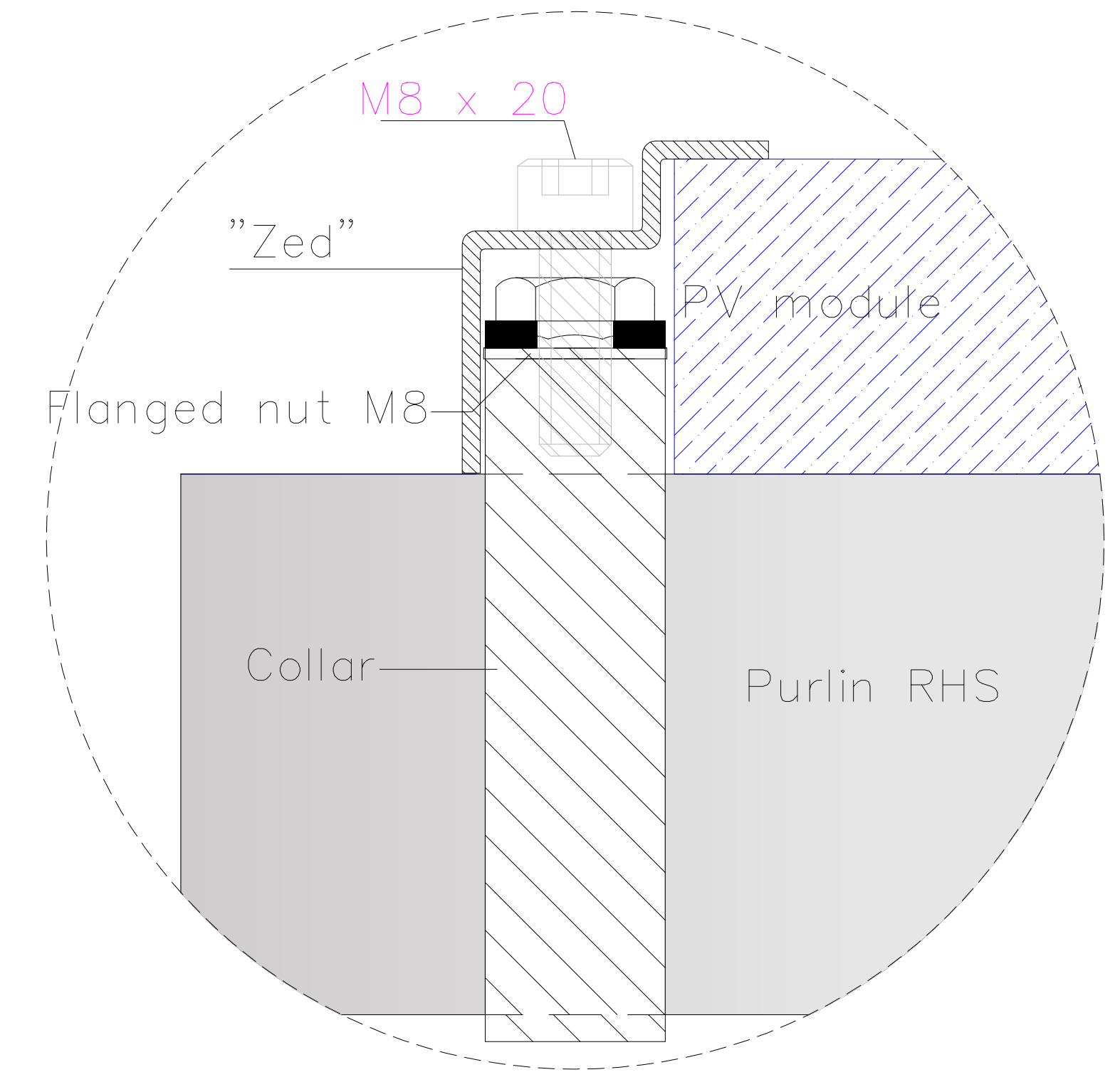


**Starting point:** for a correct installation of PV modules, you should start from the middle of the rack and proceeding before in one direction and then in the other one, as illustrated.




Typology of rack: **10+10**

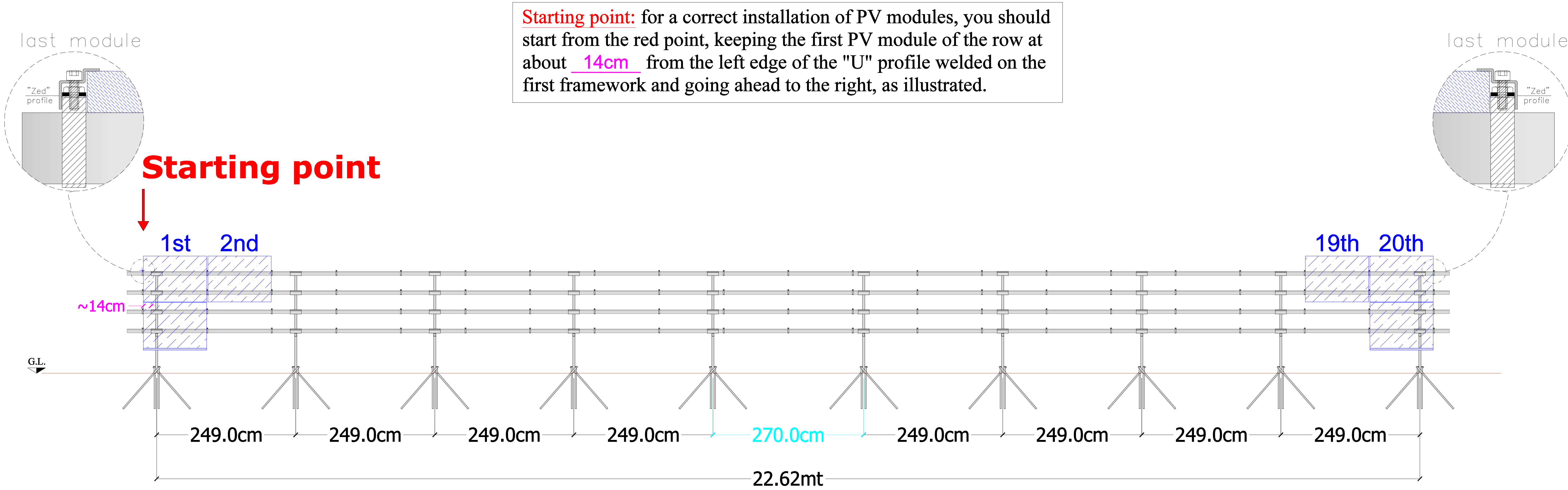
**DETAIL "E"**



**PERMITTED TIGHTENING TORQUE OF MAX 10 Nm (to be verified with the prescriptions of the module manufacturer).**

	NAME	DATE	Solelgrossisten Stock		
DRAWN	F.M	19/07/2023	TITLE Fastening for photovoltaic modules.		
CHECKED					
 <b>TreeSystem s.r.l.</b> Via Moraro n°22, 35020, Pozzonovo (PD) Tel/fax +390429773082			SIZE	DWG N°: <b>14</b>	REV
SCALE:	WEIGHT:	SHEET			

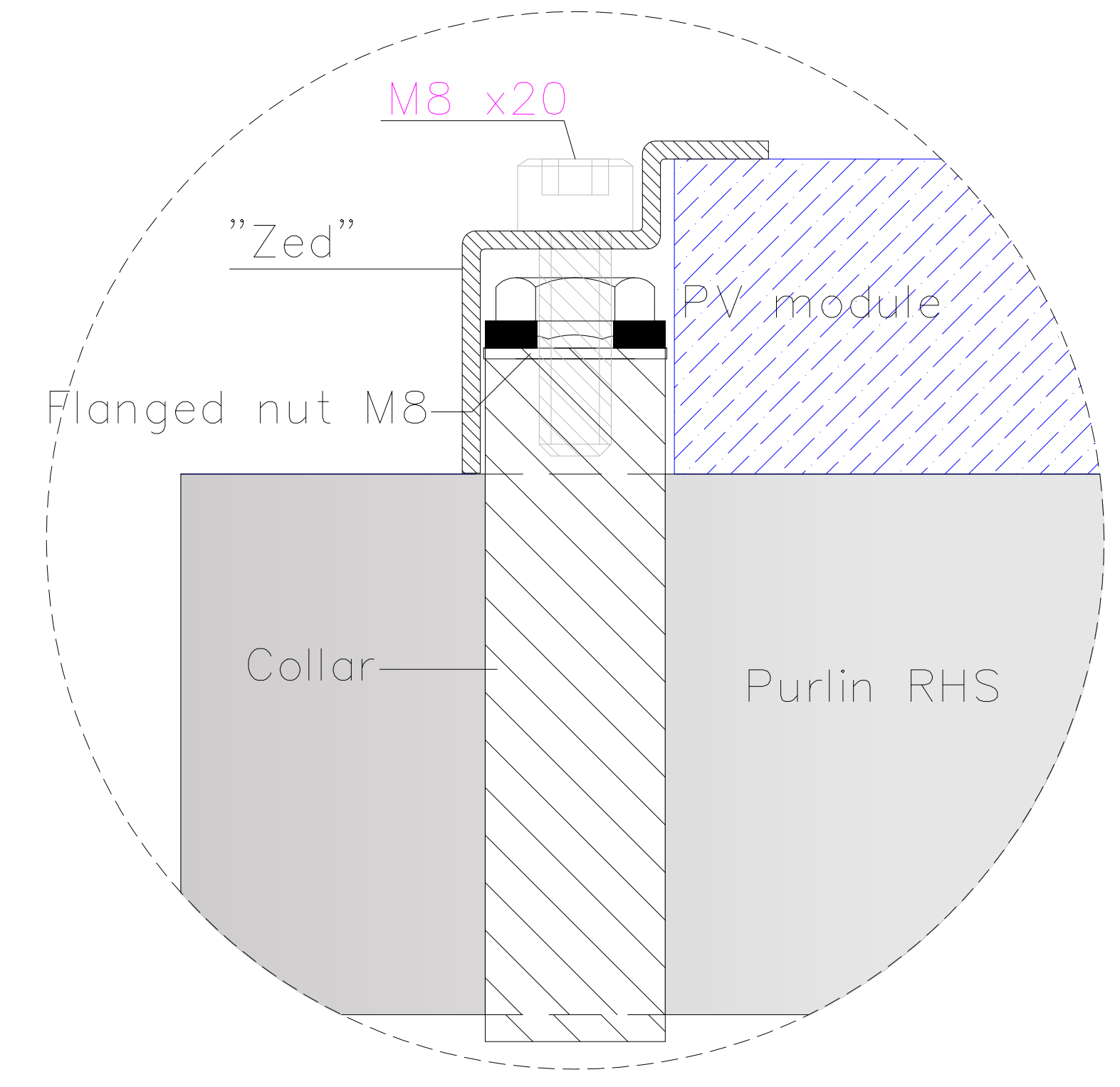




**Starting point:** for a correct installation of PV modules, you should start from the red point, keeping the first PV module of the row at about 14cm from the left edge of the "U" profile welded on the first framework and going ahead to the right, as illustrated.

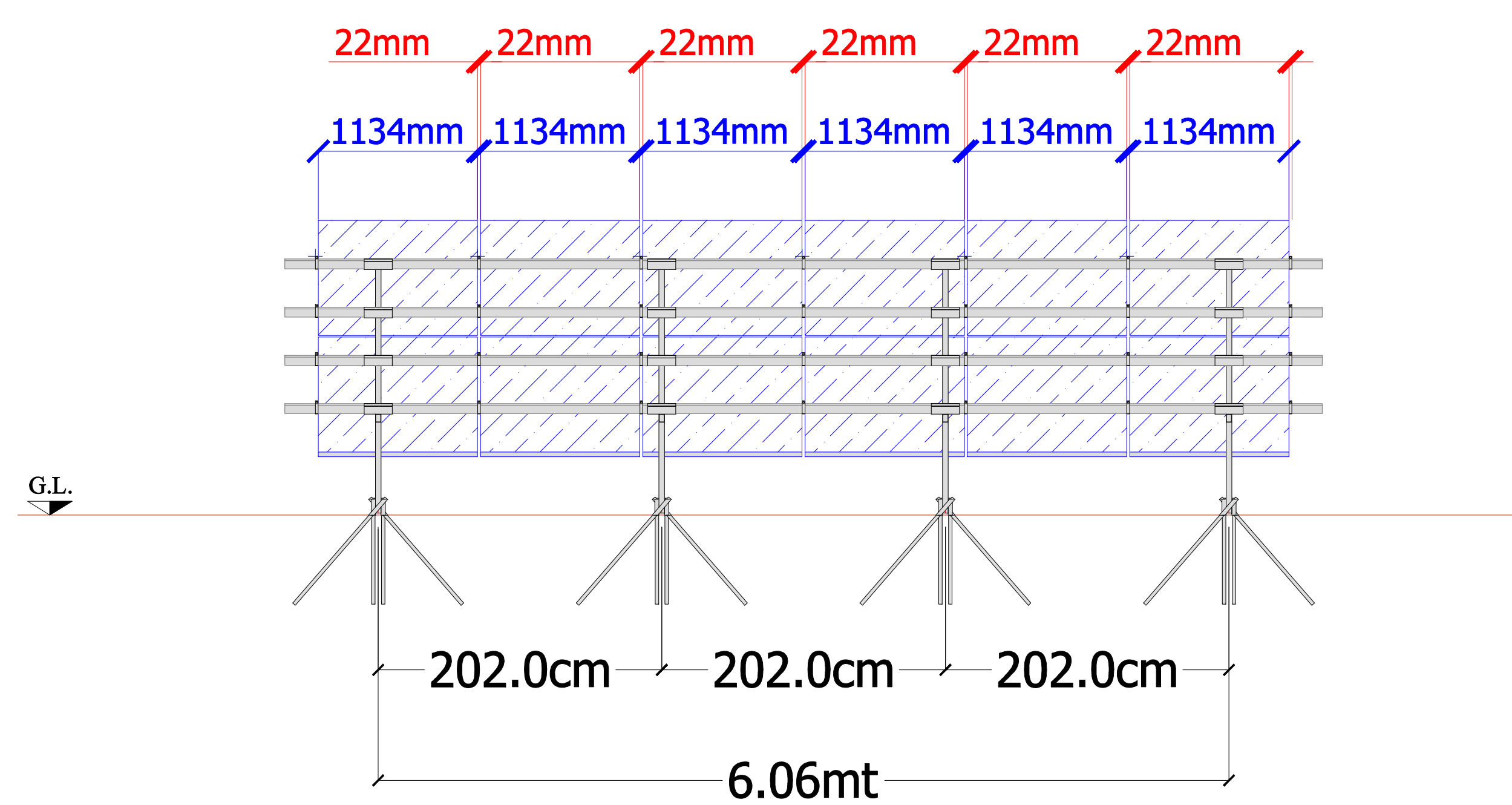
## Tipology of rack: **20+20**

### DETAIL "E"



**PERMITTED TIGHTENING TORQUE OF MAX 10 Nm (to be verified with the prescriptions of the module manufacturer).**

	NAME	DATE	Solelgrossisten Stock		
DRAWN	F.M	19/07/2023	TITLE Fastening for photovoltaic modules.		
CHECKED					
 <b>TreeSystem s.r.l.</b> Via Moraro n°22, 35020, Pozzonovo (PD) Tel/fax +390429773082			SIZE	DWG N°: <b>15</b>	REV
			SCALE:	WEIGHT:	SHEET



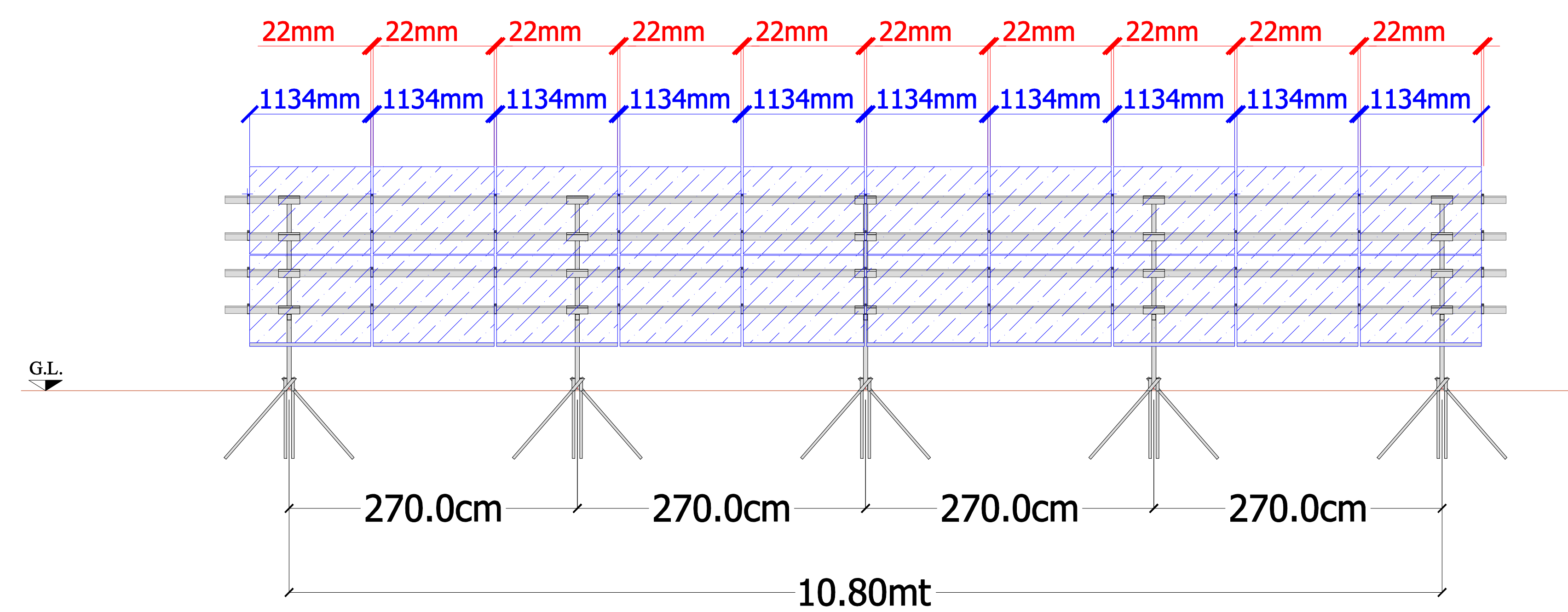
## Tipology of rack: **6+6**

DRAWN	NAME	DATE	TITLE		
CHECKED	F.M	19/07/2023	Solelgrossisten Stock		
			Final result.		
			SIZE	DWG N°: <b>16</b>	REV
			SCALE:	WEIGHT:	SHEET



**TreeSystem s.r.l.**  
Via Moraro n°22, 35020, Pozzonovo (PD)  
Tel/fax +390429773082



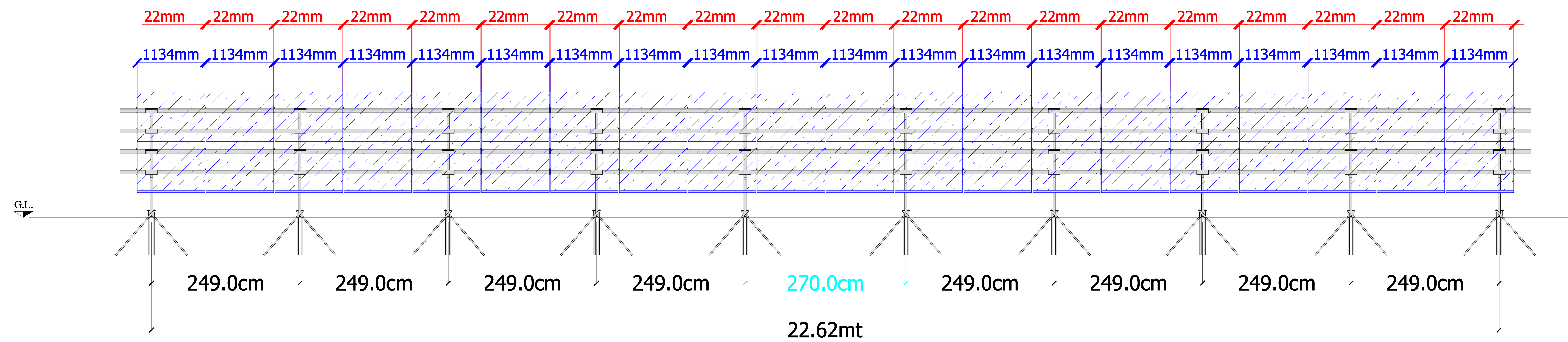


Tipology of rack: **10+10**

	NAME	DATE	Solelgrossisten Stock	
DRAWN	F.M	19/07/2023		
CHECKED				
			TITLE	
			Final result.	
SIZE		DWG N°:	<b>17</b>	REV
SCALE:		WEIGHT:		SHEET



**TreeSystem s.r.l.**  
Via Moraro n°22, 35020, Pozzonovo (PD)  
Tel/fax +390429773082



## Tipology of rack: **20+20**

		NAME	DATE		
DRAWN		F.M	19/07/2023	Solelgrossisten Stock	
CHECKED					
				TITLE Final result.	
SIZE	DWG N°:		<b>18</b>	REV	
SCALE:	WEIGHT:	SHEET			



**TreeSystem s.r.l.**  
Via Moraro n°22, 35020, Pozzonovo (PD)  
Tel/fax +390429773082