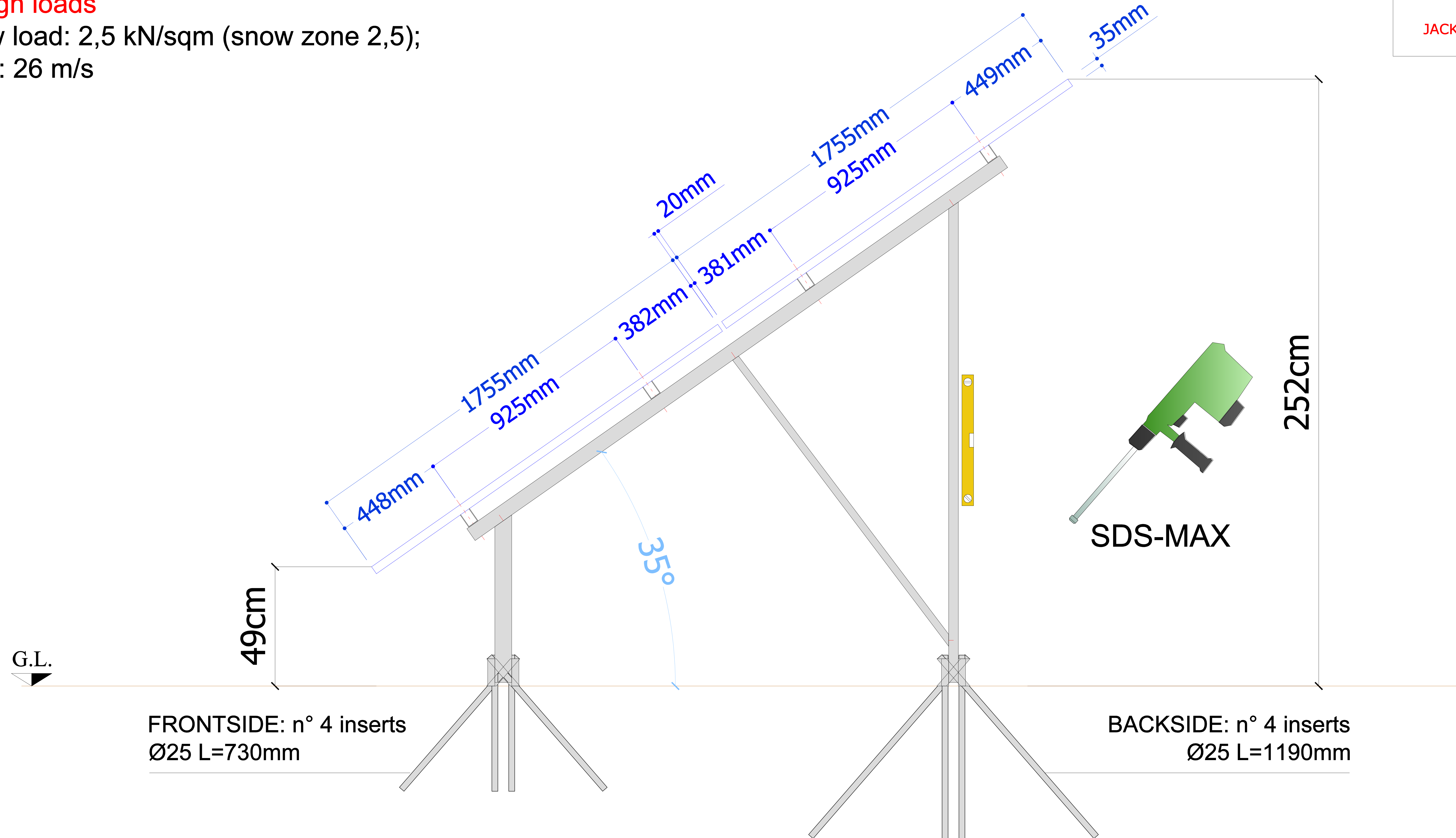


Dimension: 1755 x 1038 x 30 mm
[370Wp]

Design loads

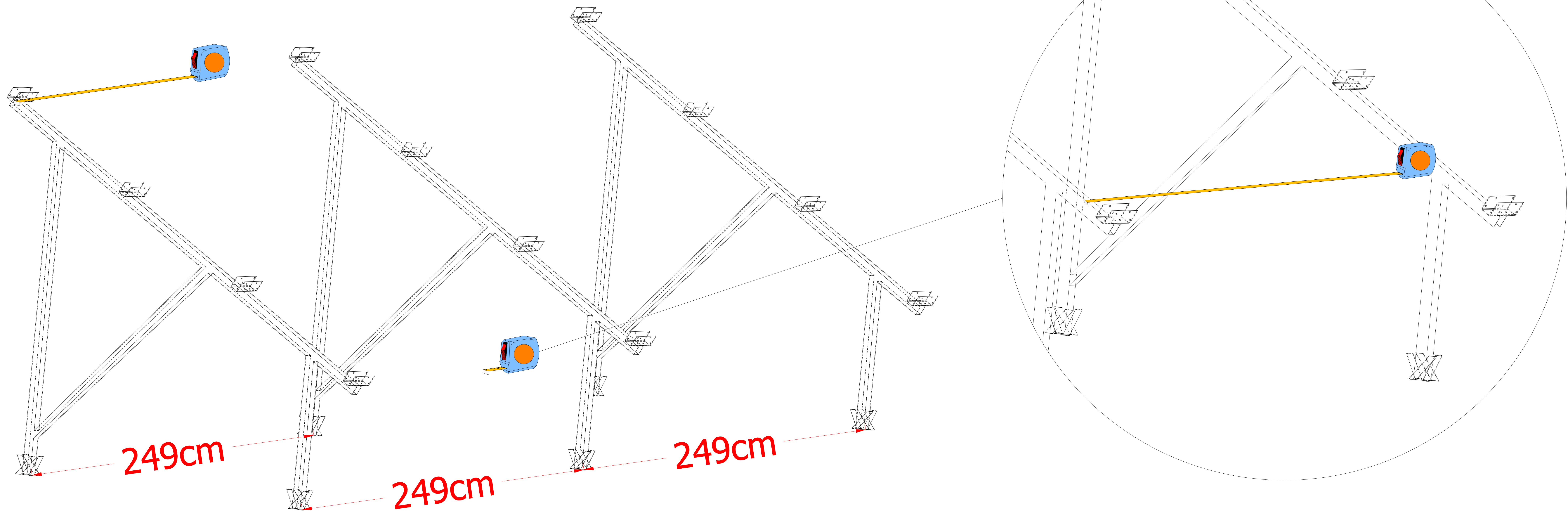
snow load: 2,5 kN/sqm (snow zone 2,5);
wind: 26 m/s



Driving-in the inserts to the ground through guides placed at the base of the frames, using a jack-hammer with SDS-MAX tool tip or a common hammer, only when all the structure is installed and it has checked that the spirit level giving the transverse orientation of the structure indicates the horizontal.

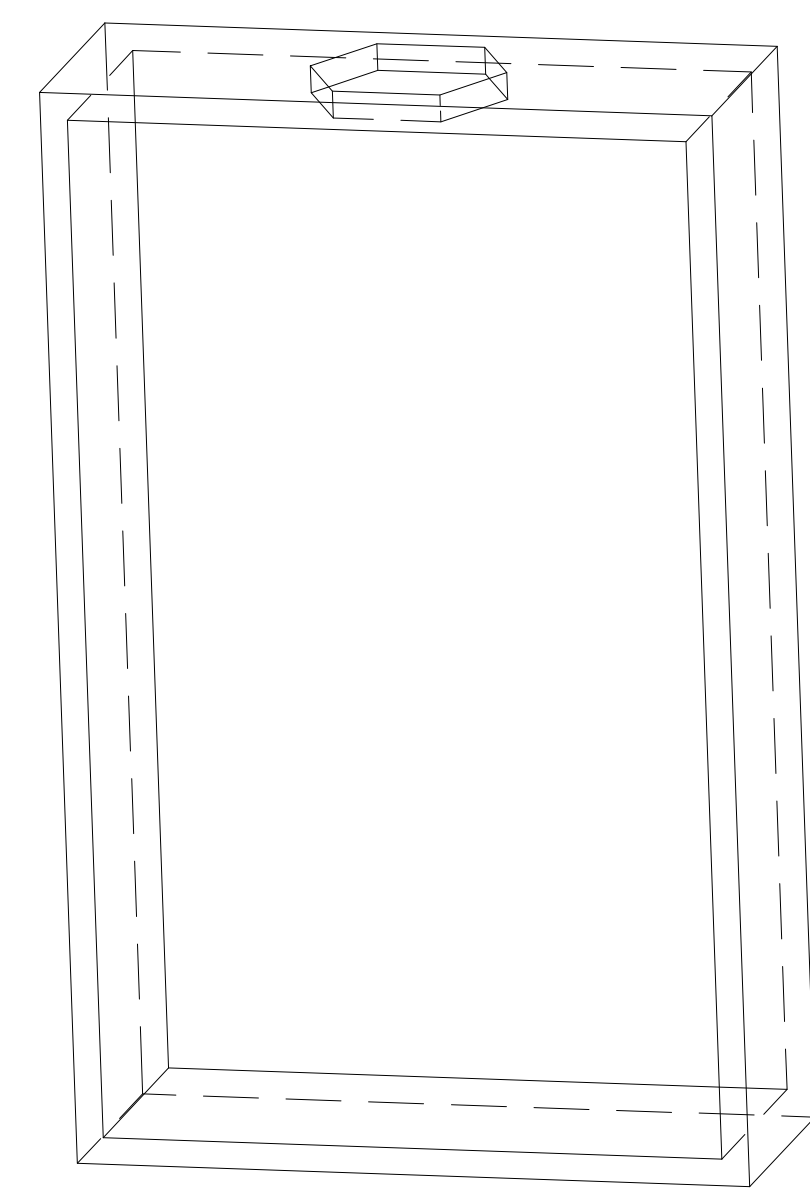
		NAME	DATE		
DRAWN		S.J	29/11/2021	Solelgrossisten Stock4	
CHECKED					
				TITLE	
				"Tree System" Anchoring.	
SIZE	DWG N°:			1	REV
SCALE:	WEIGHT:	SHEET			

TREE SYSTEM
TreeSystem s.r.l.
Via Moraro n°22, 35020, Pozzonovo (PD)
Tel/fax +390429773082

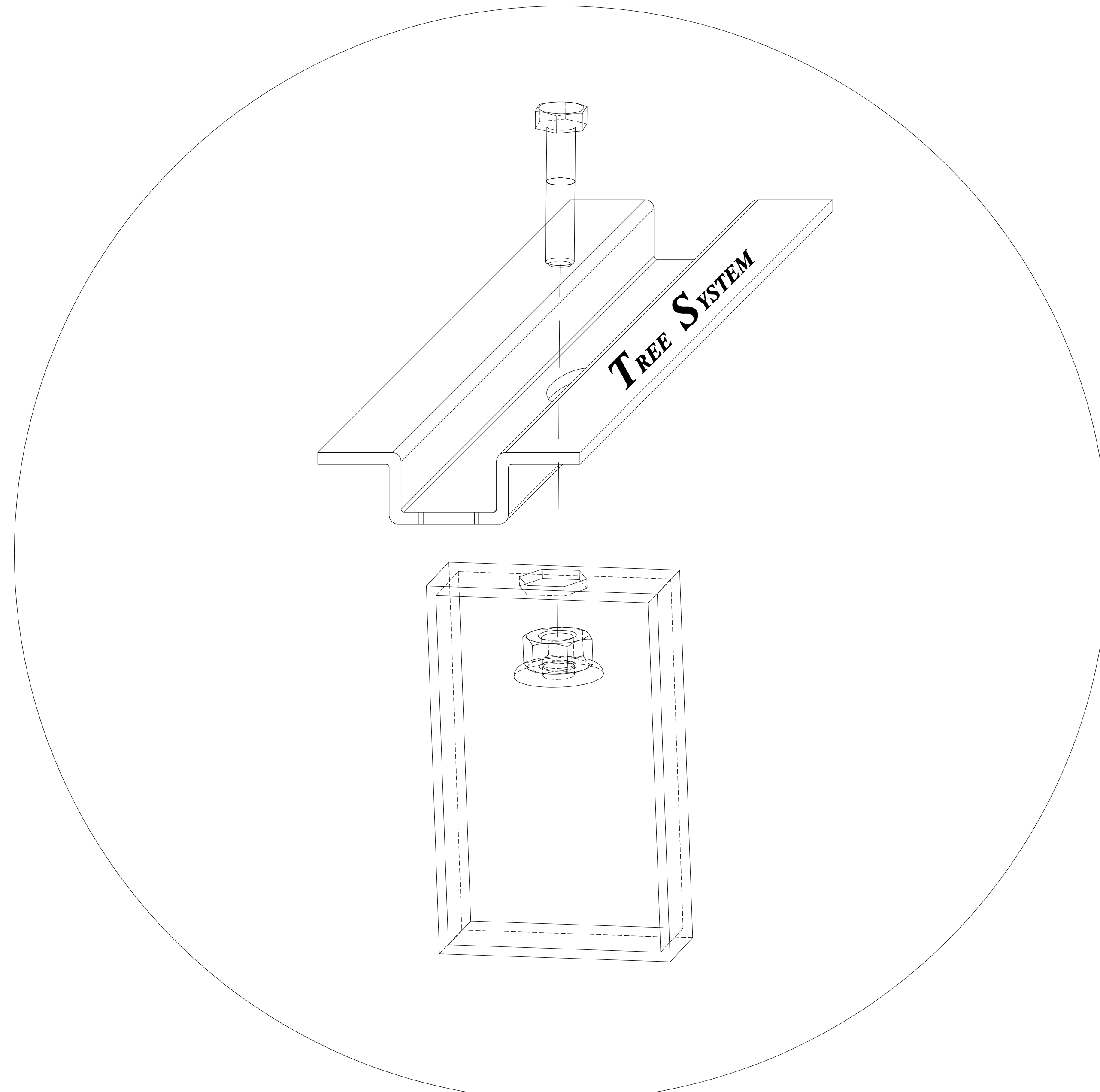
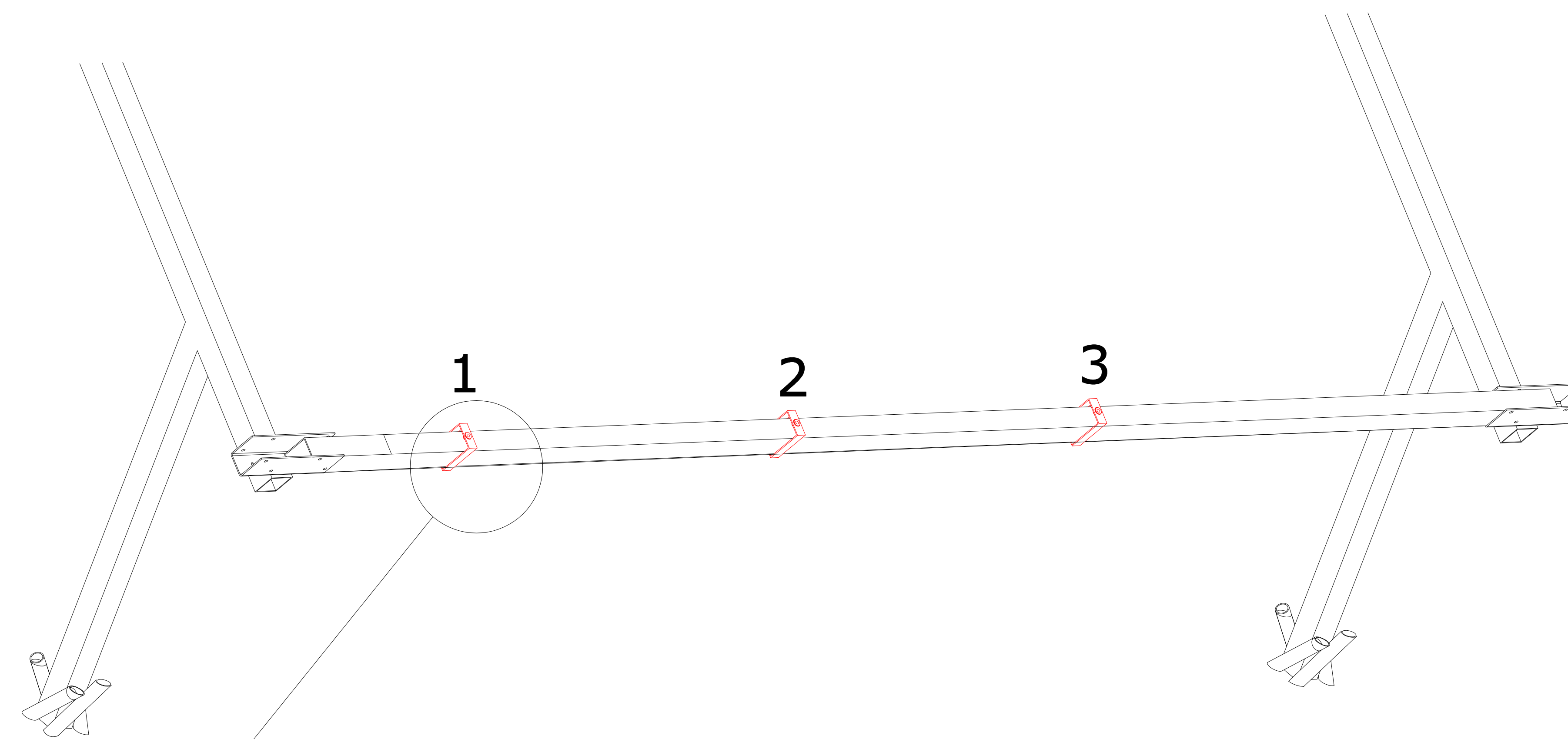


To find the exact spacing between the frames (**249 or 269.5cm**) you can use two tape-measures placed one on the front side and the other one on the back side of the frames. To plot the alignment of the rack, just place a picket at the beginning and end of each one, positioned on the back side of the frame (at the bottom of the back pillar) and pull a builder line that will determine the correct alignment.


	NAME	DATE	Solelgrossisten Stock4		
DRAWN	S.J	29/11/2021			
CHECKED			TITLE Spacing between the frameworks.		
 TreeSystem s.r.l. Via Moraro n°22, 35020, Pozzonovo (PD) Tel/fax +390429773082			SIZE	DWG N°: 2	REV
			SCALE:	WEIGHT:	SHEET



Collar



The "collars" to fix the modules must be inserted before fixing the horizontal beams to the frames: you have to insert **no. 2 or 3** collars for each span, while for the cantilevers it's sufficient **1** collar, as shown below.

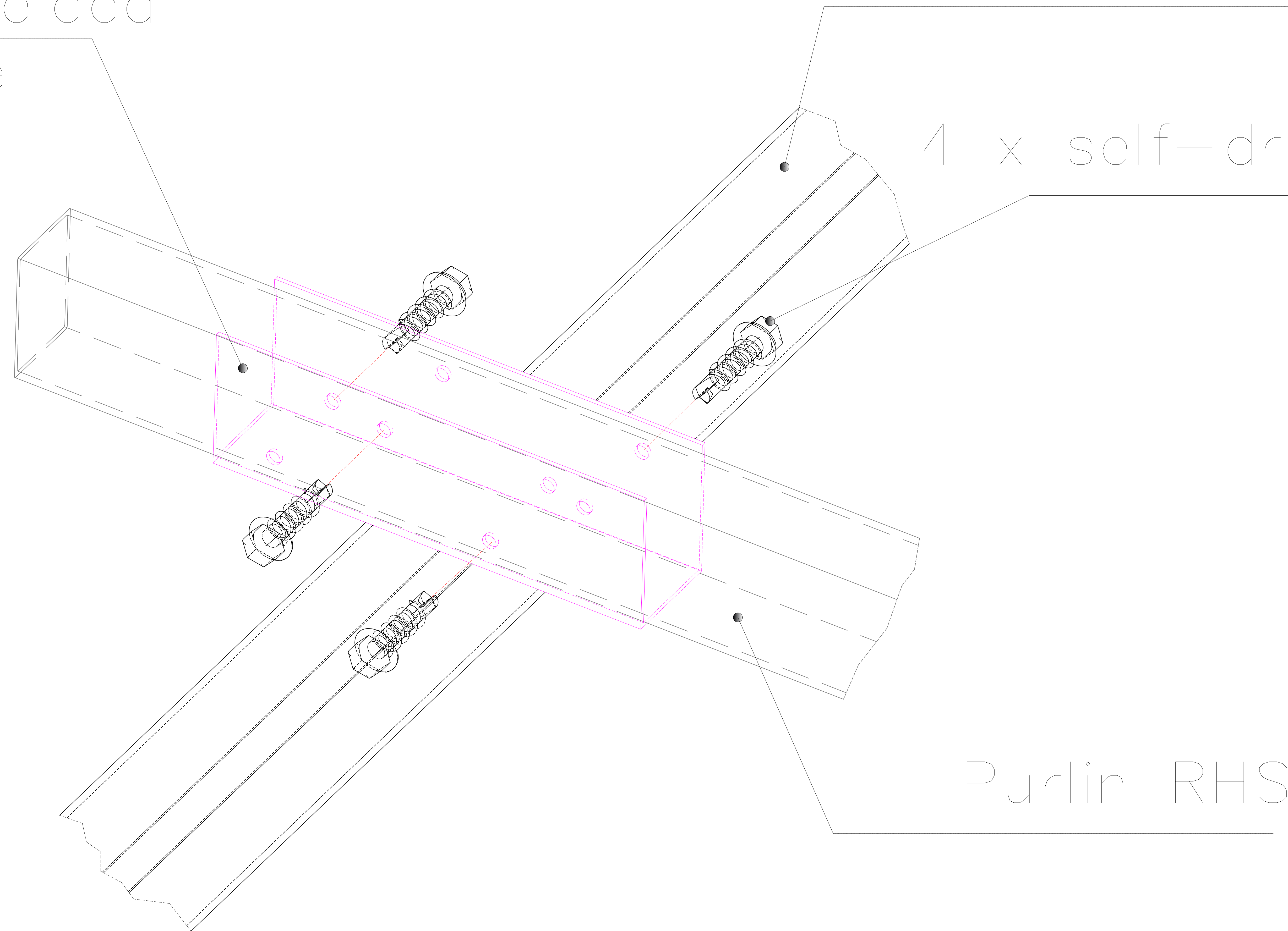
	NAME	DATE	Solelgrossisten Stock4		
DRAWN	S.J	29/11/2021			
CHECKED			TITLE Insertion collars to fasten PV modules.		
 TreeSystem s.r.l. Via Moraro n°22, 35020, Pozzonovo (PD) Tel/fax +390429773082			SIZE	DWG N°: 3	REV
			SCALE:	WEIGHT:	SHEET

DETAIL "A": INITIAL POSITIONS

"U" profile welded to the frame

Frame RHS

4 x self-drilling screws



A

PERMITTED TIGHTENING TORQUE OF MAX 7-8 Nm.



	NAME	DATE		
DRAWN	S.J	29/11/2021	Solelgrossisten Stock4	
CHECKED				
			TITLE Fastening horizontal profiles to the frames.	
SIZE	DWG N°: 4		REV	
SCALE:	WEIGHT:	SHEET		



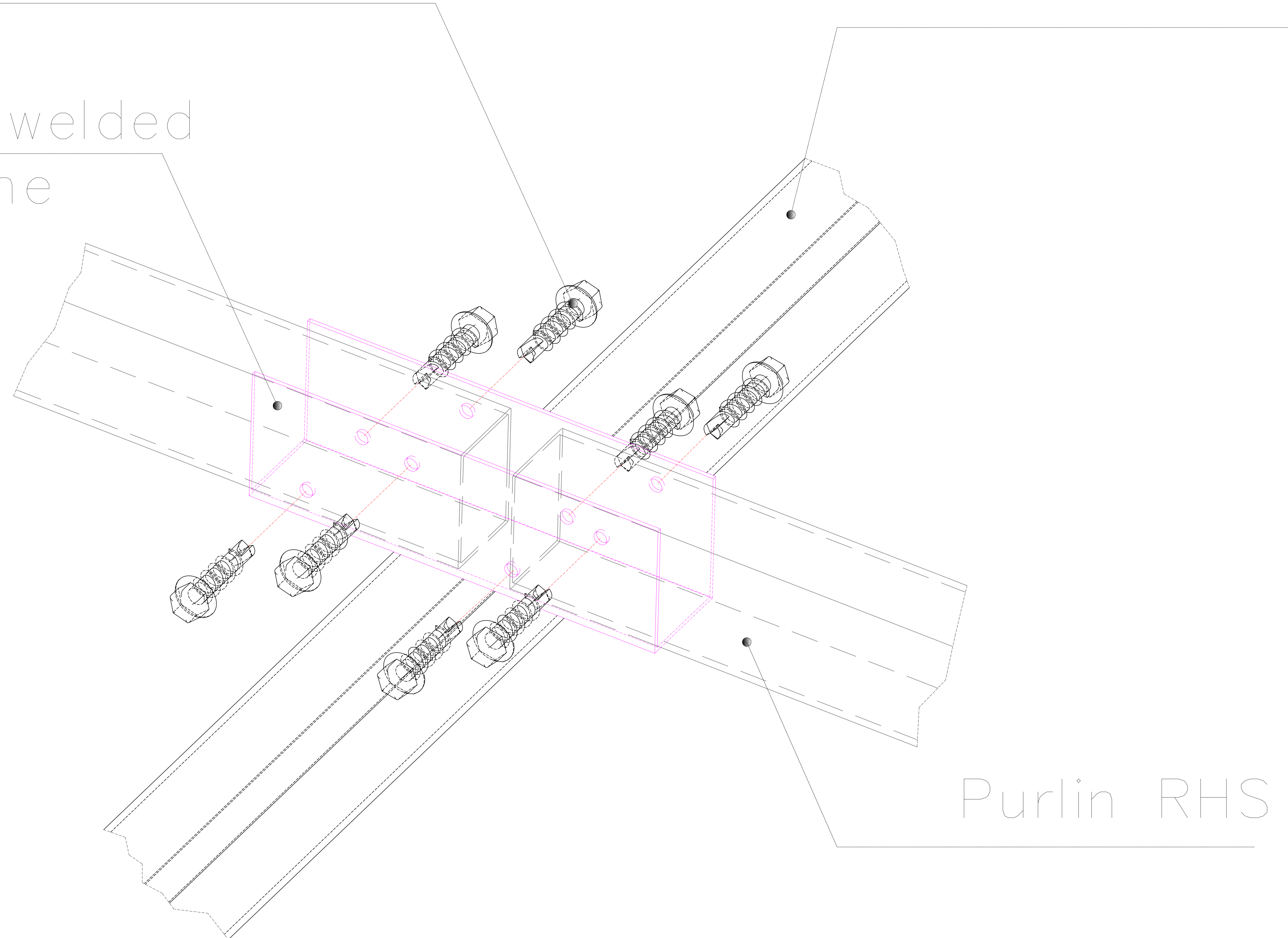
TreeSystem s.r.l.
Via Moraro n°22, 35020, Pozzonovo (PD)
Tel/fax +390429773082

DETAIL "B": TÊTE-à-TÊTE POSITIONS

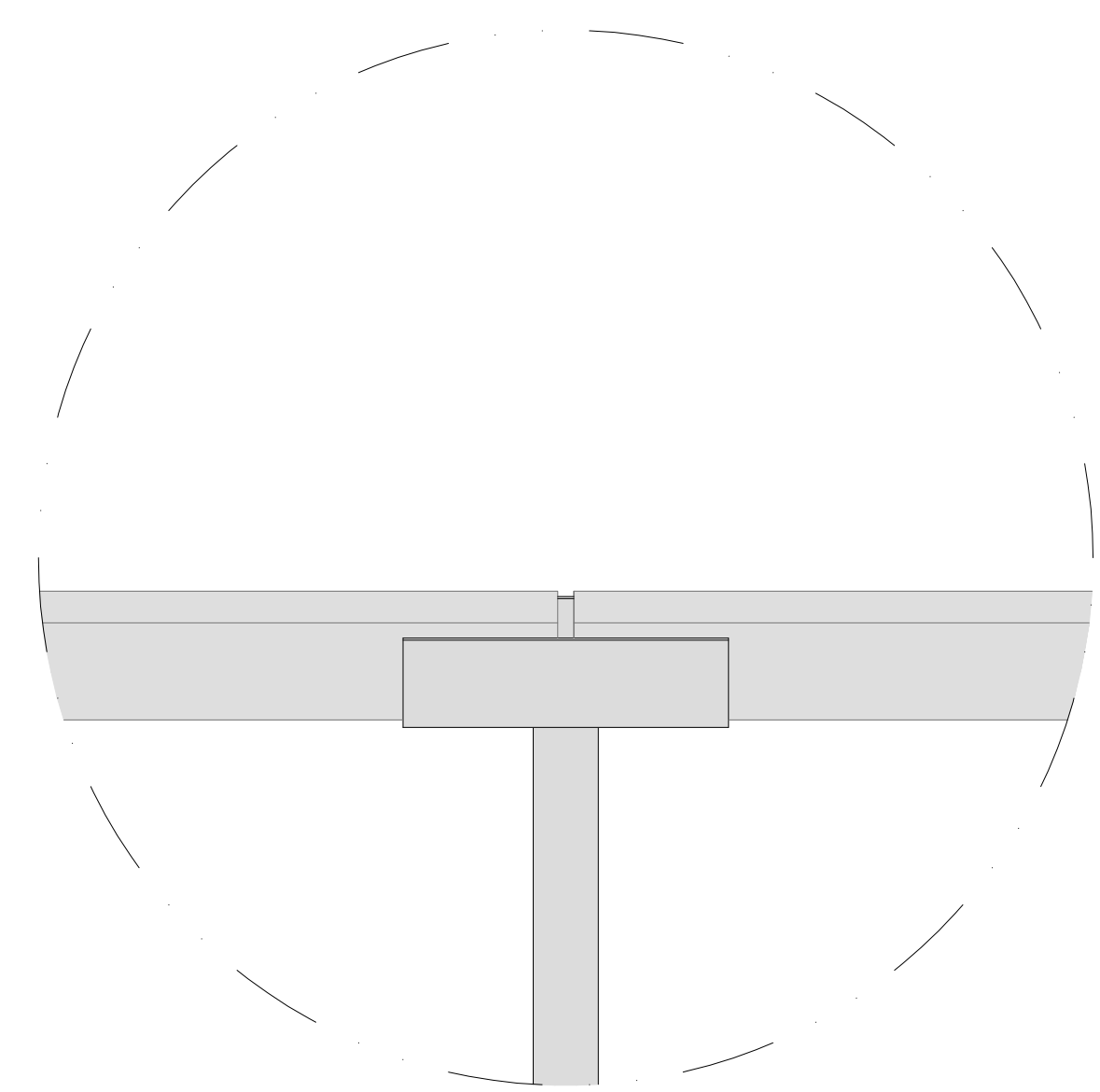
8 x self-drilling screws

Frame RHS

"U" profile welded to the frame



B



PERMITTED TIGHTENING TORQUE OF MAX 7-8 Nm.



DRAWN	NAME	DATE	Solelgrossisten Stock4		
CHECKED	S.J	29/11/2021	TITLE Fastening horizontal profiles to the frames.		
			SIZE	DWG N°: 5	REV
			SCALE:	WEIGHT:	SHEET

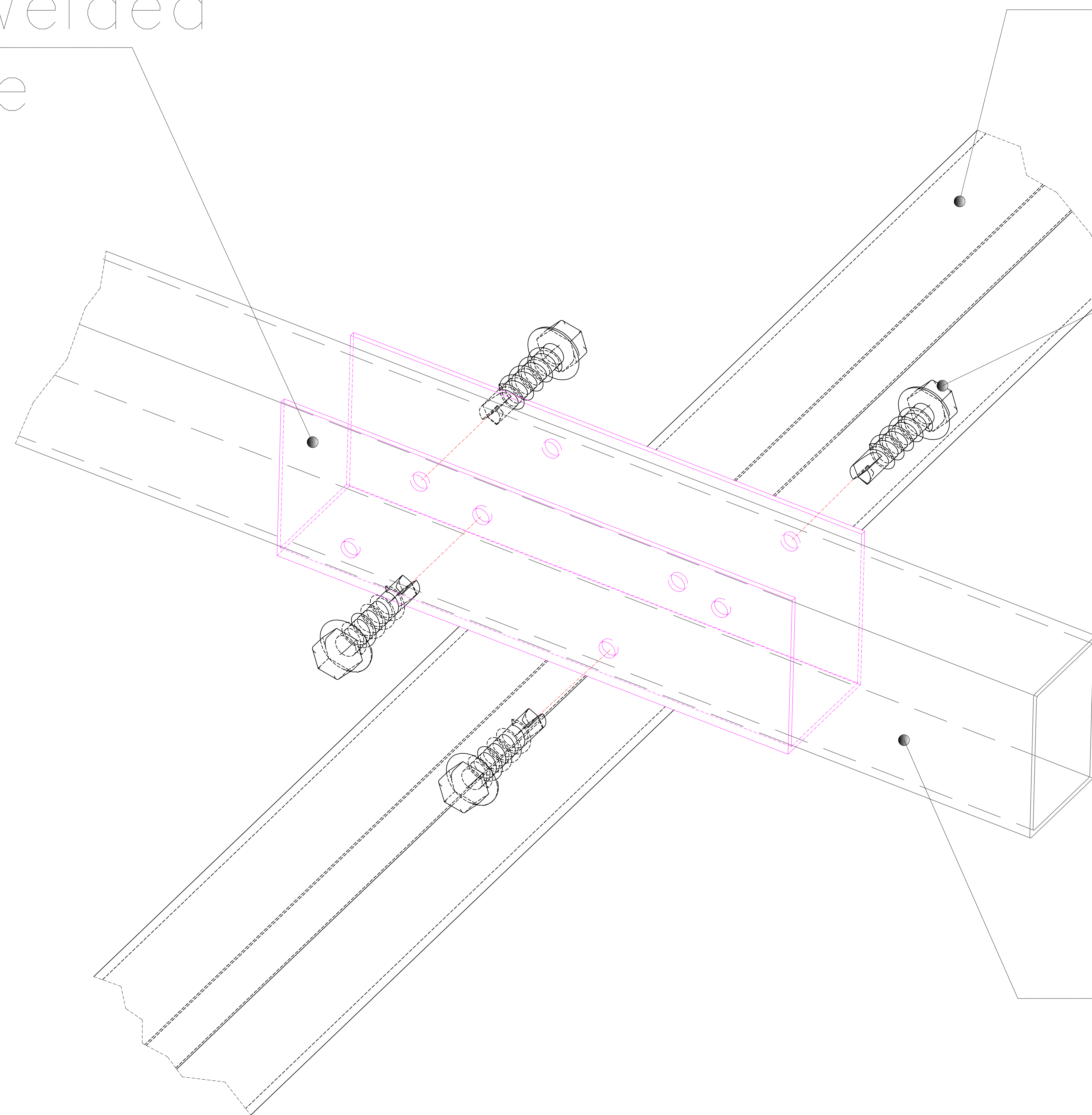
TREE SYSTEM
TreeSystem s.r.l.
Via Moraro n°22, 35020, Pozzonovo (PD)
Tel/fax +390429773082

DETAIL "C": FINAL POSITIONS

"U" profile welded to the frame

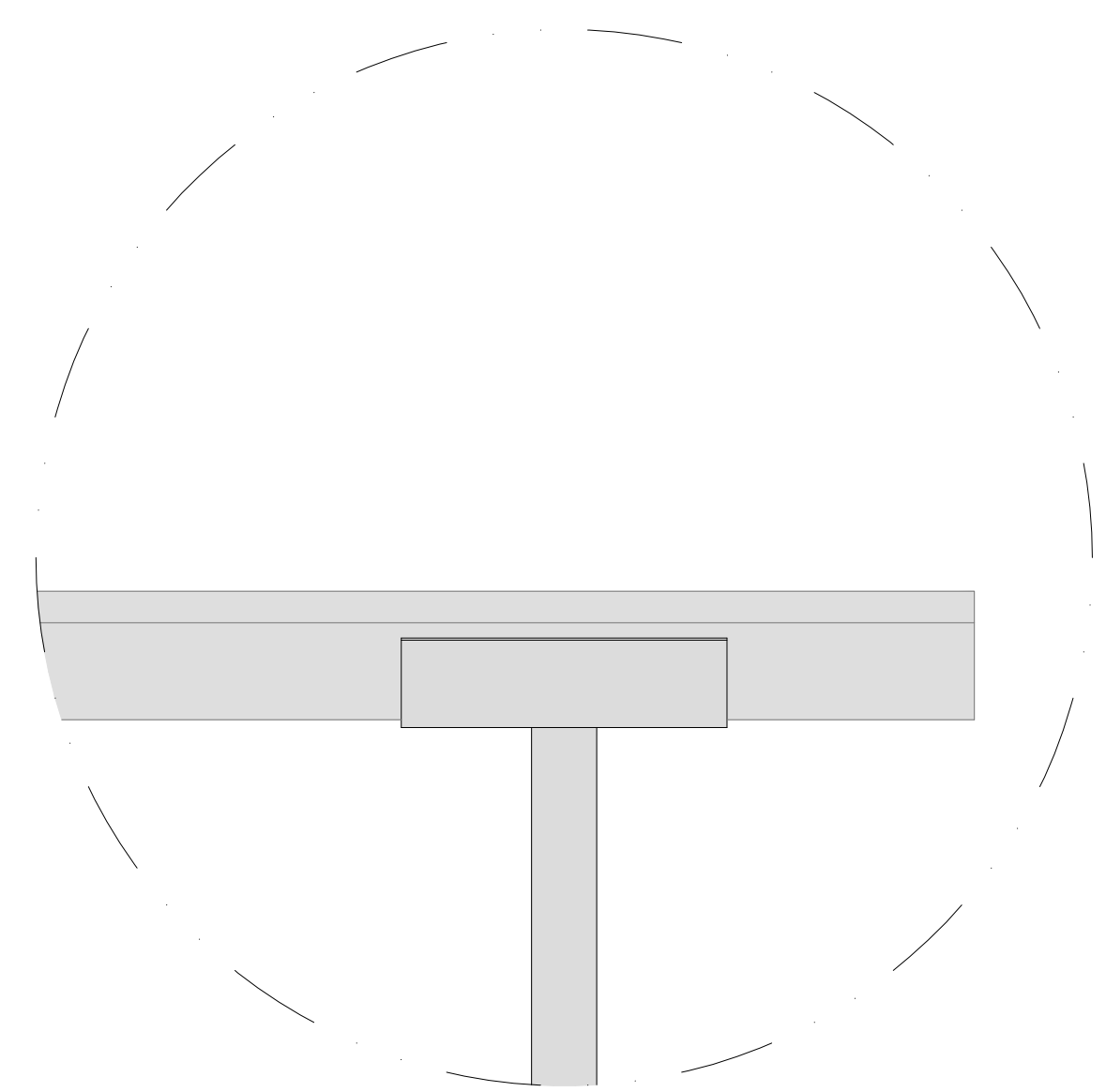
Frame RHS

4 x self-drilling screws



Purlin RHS

C



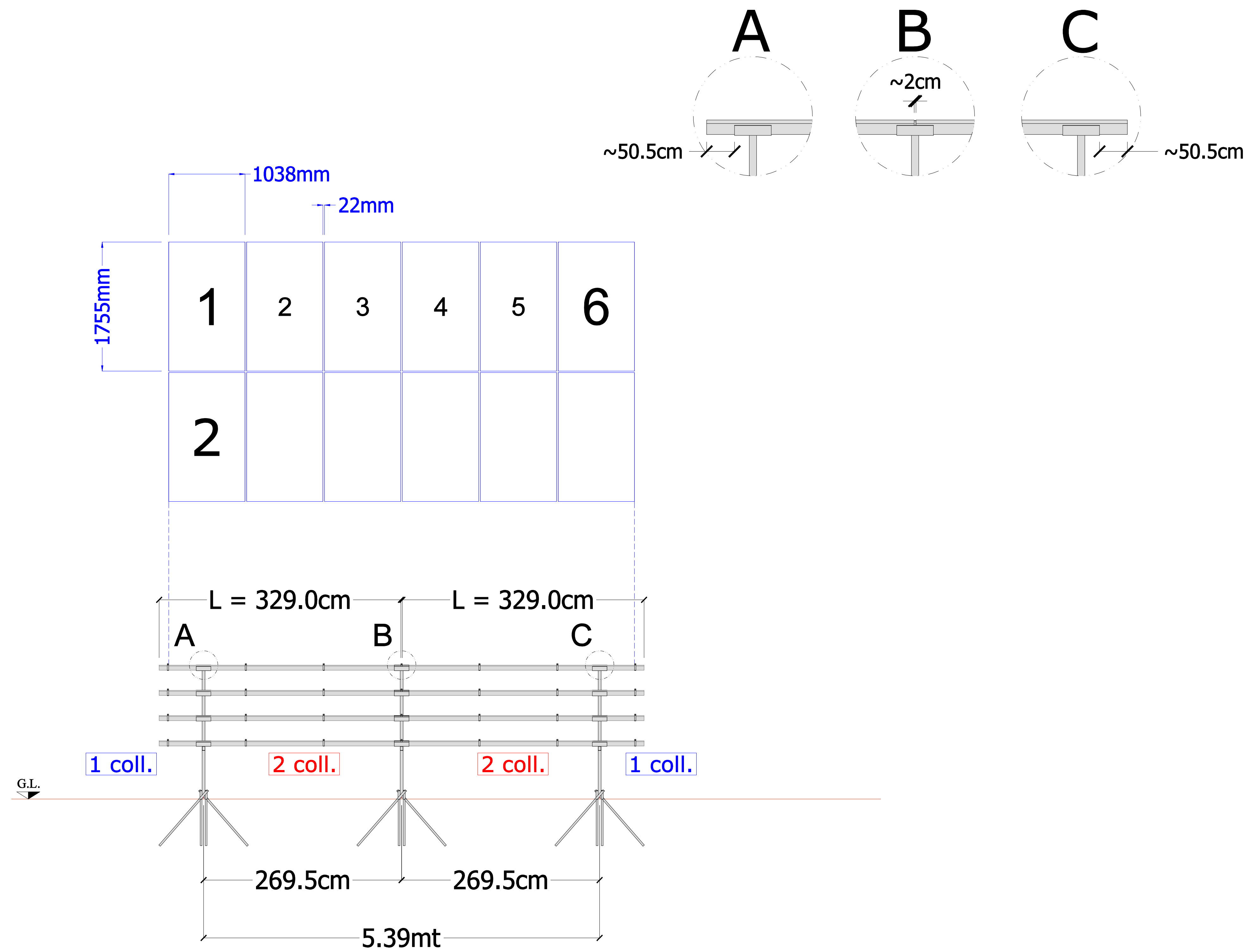
PERMITTED TIGHTENING TORQUE OF MAX 7-8 Nm.



	NAME	DATE	Solelgrossisten Stock4	
DRAWN	S.J	29/11/2021		
CHECKED				
			TITLE Fastening horizontal profiles to the frames.	
SIZE	DWG N°: 6		REV	
SCALE:	WEIGHT:	SHEET		



TreeSystem s.r.l.
Via Moraro n°22, 35020, Pozzonovo (PD)
Tel/fax +390429773082



- For each rack, it is required:
- 3 FRAMEWORKS 35°;
 - 8 PURLINS L=329cm;
 - 24 COLLARS.
- DO NOT CUT THE HORIZONTAL PROFILES FOR ANY REASONS, SINCE THEY ARE ALREADY CUT ON SIZE.**

Tipology of rack: **6+6**

Complete package with mounting material for ground installation based on 2 rows of 6 solar panels with dimensions 1755 x 1038 x 30 mm. Portrait orientation, 35° tilt.

The 2x6 package is based on the ZNSHINE SOLAR 375W - ZXM6-NHLDD120-375M which has a height measurement of 1755 mm and a width measurement of 1038 mm.

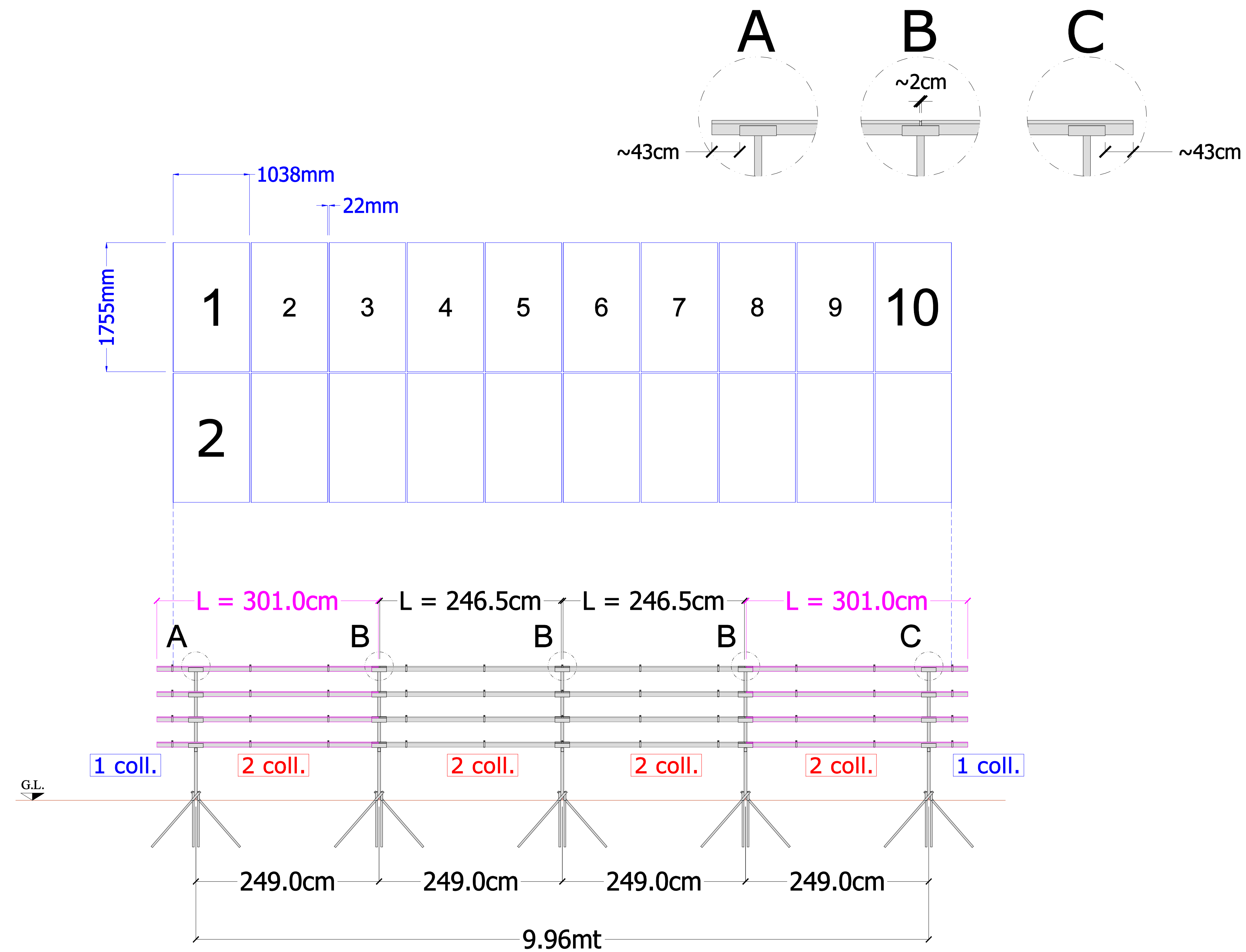
It is possible to use 60/120 cell panels with height measurements between 1600 - 1800 mm.

It is possible to use 60/120 cell panels with a different width measurement, resulting in fewer panels/row.

	NAME	DATE	Solelgrossisten Stock4	
DRAWN	S.J	29/11/2021		
CHECKED				
			TITLE	
			Layout Racks.	
SIZE		DWG N°:	7	REV
SCALE:		WEIGHT:	SHEET	



TreeSystem s.r.l.
Via Moraro n°22, 35020, Pozzonovo (PD)
Tel/fax +390429773082



- For each rack, it is required:
- 5 FRAMEWORKS 35°;
 - 8 PURLINS L=301cm;
 - 8 PURLINS L=246.5cm;
 - 40 COLLARS.
- DO NOT CUT THE HORIZONTAL PROFILES FOR ANY REASONS, SINCE THEY ARE ALREADY CUT ON SIZE.**

Tipology of rack: **10+10**

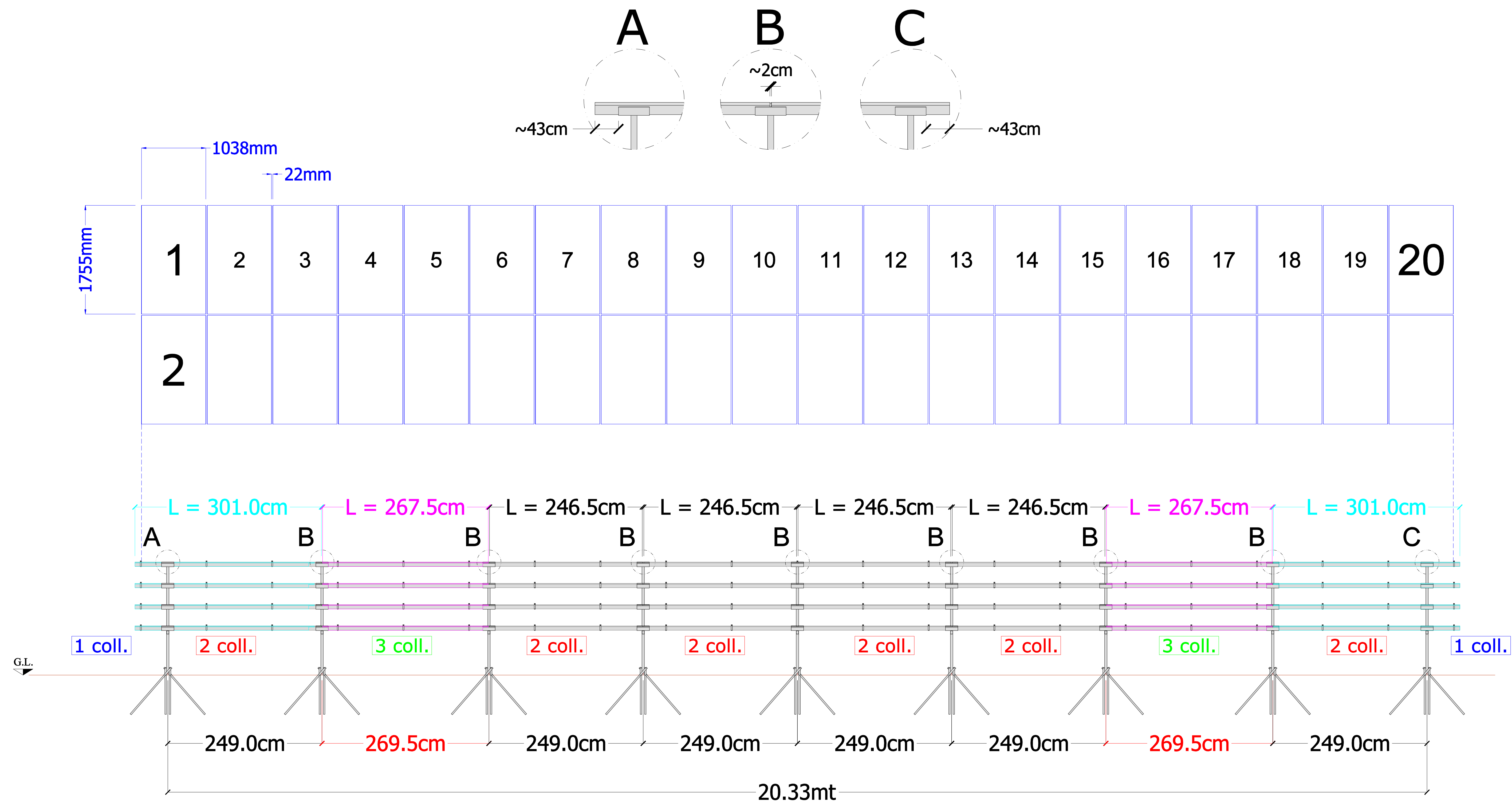
Complete package with mounting material for ground installation based on 2 rows of 10 solar panels with dimensions 1755 x 1038 x 30 mm. Portrait orientation, 35° tilt.

The 2x10 package is based on the ZNSHINE SOLAR 375W - ZXM6-NHLDD120-375M which has a height measurement of 1755 mm and a width measurement of 1038 mm.

It is possible to use 60/120 cell panels with height measurements between 1600 - 1800 mm.

It is possible to use 60/120 cell panels with a different width measurement, resulting in fewer panels/row.

	NAME	DATE	Solelgrossisten Stock4		
DRAWN	S.J	29/11/2021			
CHECKED			TITLE Layout Racks.		
 TreeSystem s.r.l. Via Moraro n°22, 35020, Pozzonovo (PD) Tel/fax +390429773082			SIZE	DWG N°:	REV
				8	
SCALE:	WEIGHT:	SHEET			



- For each rack, it is required:
- 9 FRAMEWORKS 35°;
 - 8 PURLINS L=301cm;
 - 8 PURLINS L=267.5cm;
 - 16 PURLINS L=246.5cm;
 - 80 COLLARS.
- DO NOT CUT THE HORIZONTAL PROFILES FOR ANY REASONS, SINCE THEY ARE ALREADY CUT ON SIZE.**


Tipology of rack: 20+20

Complete package with mounting material for ground installation based on 2 rows of 20 solar panels with dimensions 1755 x 1038 x 30 mm. Portrait orientation, 35° tilt.

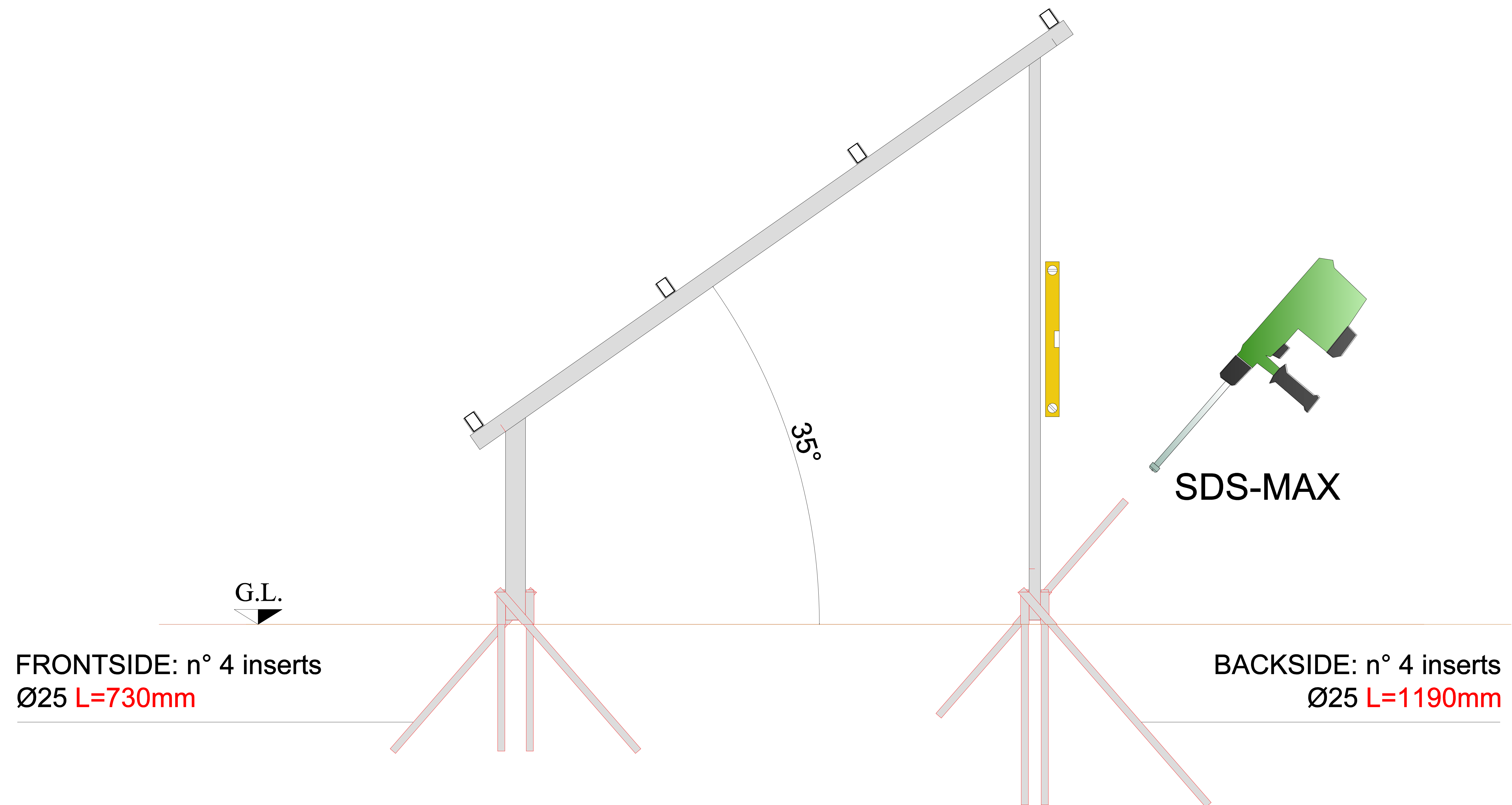
The 2x20 package is based on the ZNSHINE SOLAR 375W - ZXM6-NHLDD120-375M which has a height measurement of 1755 mm and a width measurement of 1038 mm.

It is possible to use 60/120 cell panels with height measurements between 1600 - 1800 mm.

It is possible to use 60/120 cell panels with a different width measurement, resulting in fewer panels/row.

	NAME	DATE	Solelgrossisten Stock4		
DRAWN	S.J	29/11/2021			
CHECKED			TITLE Layout Racks.		
 TreeSystem s.r.l. Via Moraro n°22, 35020, Pozzonovo (PD) Tel/fax +390429773082			SIZE	DWG N°:	REV
			SCALE:	WEIGHT:	SHEET

PAY ATTENTION TO THE DIFFERENT LENGTH OF THE INSERTS.



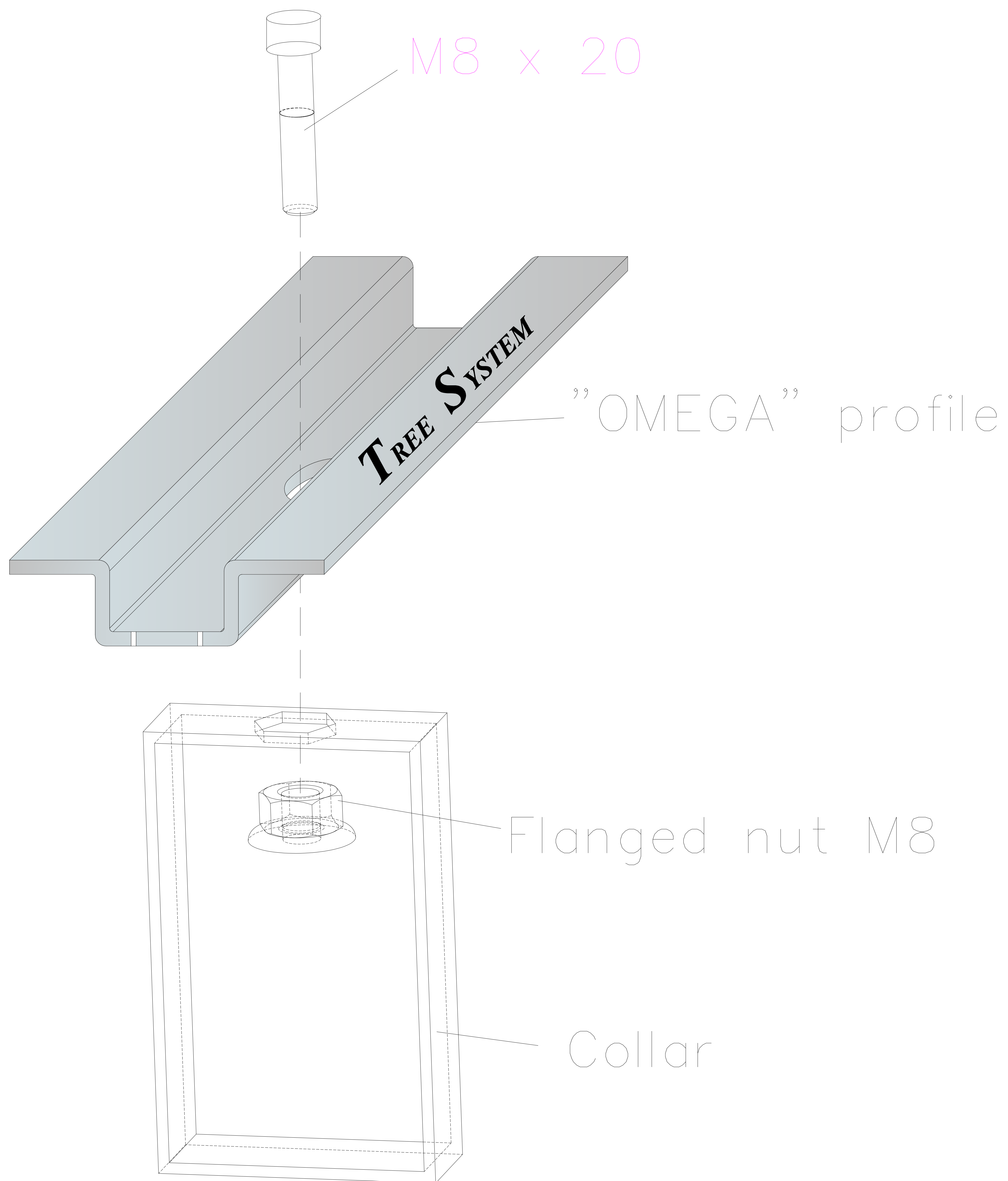
Driving-in the inserts to the ground through guides placed at the base of the frames, using a jack-hammer with SDS-MAX attack for tool, only when all the structure is installed and it has checked that the spirit level giving the transverse orientation of the structure indicates the horizontal.

IN CASE OF DAMAGING OF THE COATING DURING THE INSTALLATION, BE CAREFUL TO REPAIR IT PROMPTLY.

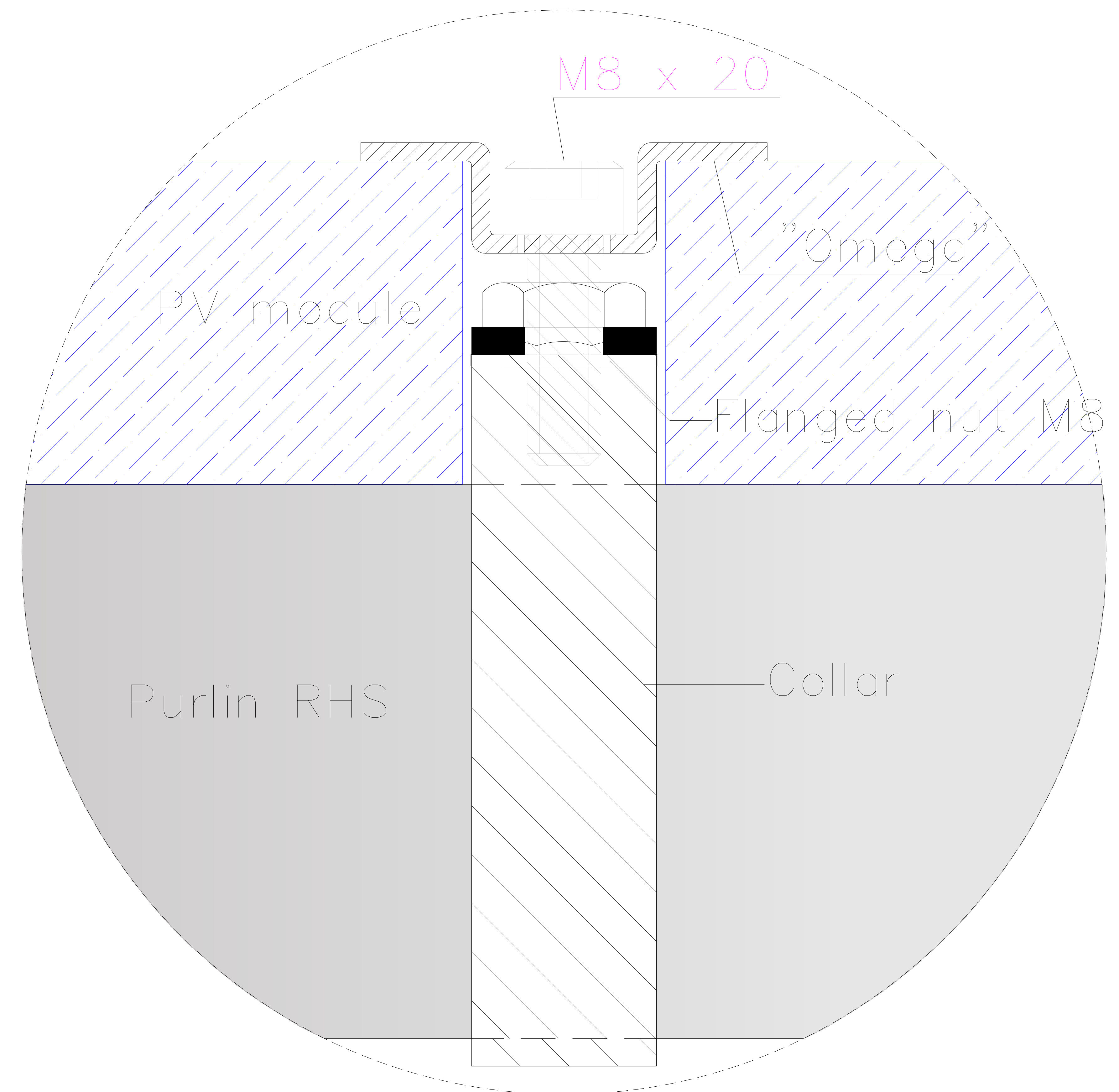
	NAME	DATE		
DRAWN	S.J	29/11/2021	Solelgrossisten Stock4	
CHECKED				
			TITLE Anchoring the structure to the ground.	
SIZE	DWG N°: 10		REV	
SCALE:	WEIGHT:	SHEET		



TreeSystem s.r.l.
Via Moraro n°22, 35020, Pozzonovo (PD)
Tel/fax +390429773082



DETAIL "D"



PERMITTED TIGHTENING TORQUE OF MAX 10 Nm (to be verified with the prescriptions of the module manufacturer).

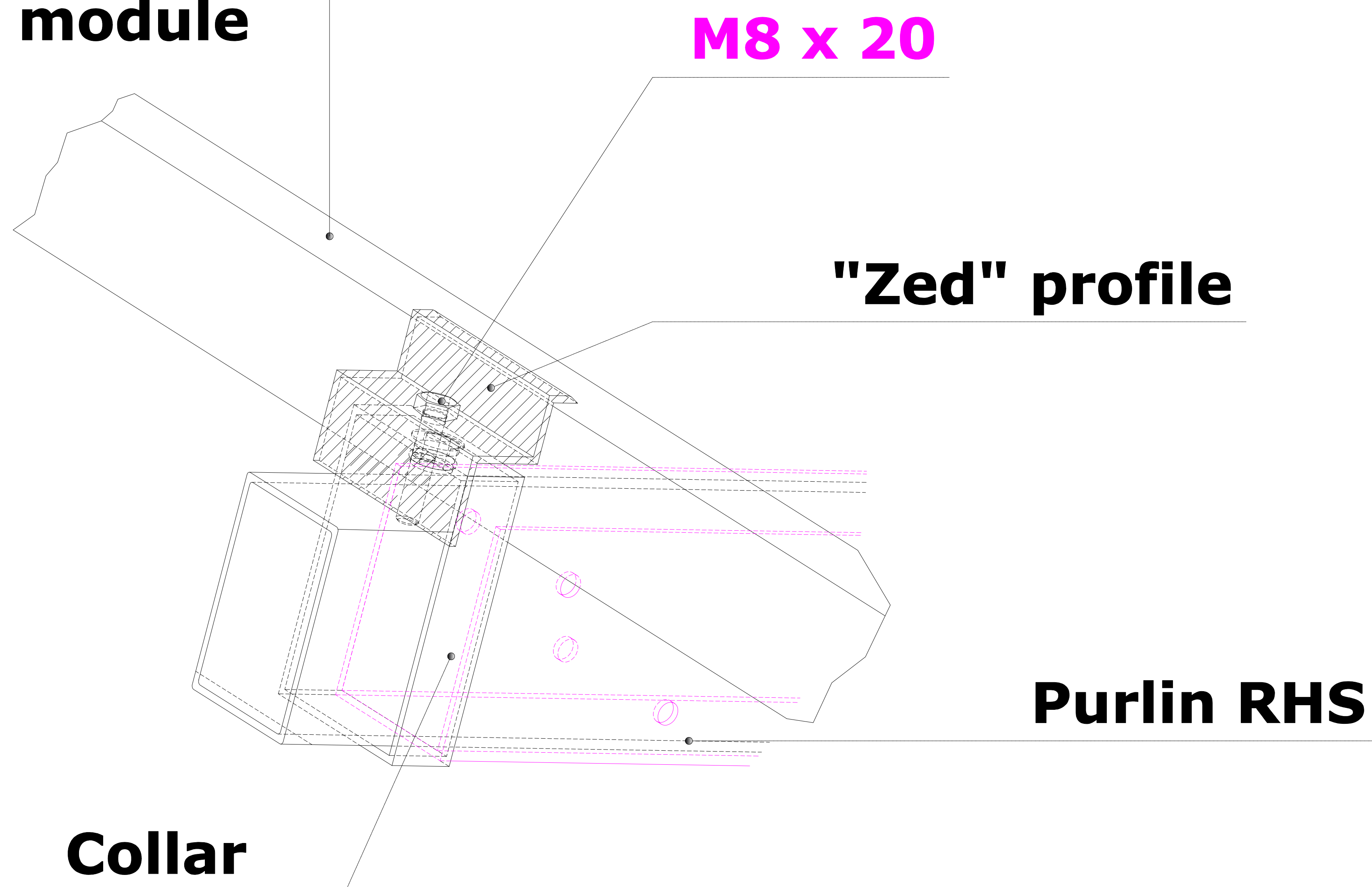


		NAME	DATE		
DRAWN		S.J	29/11/2021	Solelgrossisten Stock4	
CHECKED					
				TITLE Fastening for photovoltaic modules.	
SIZE	DWG N°:	11		REV	
SCALE:	WEIGHT:	SHEET			

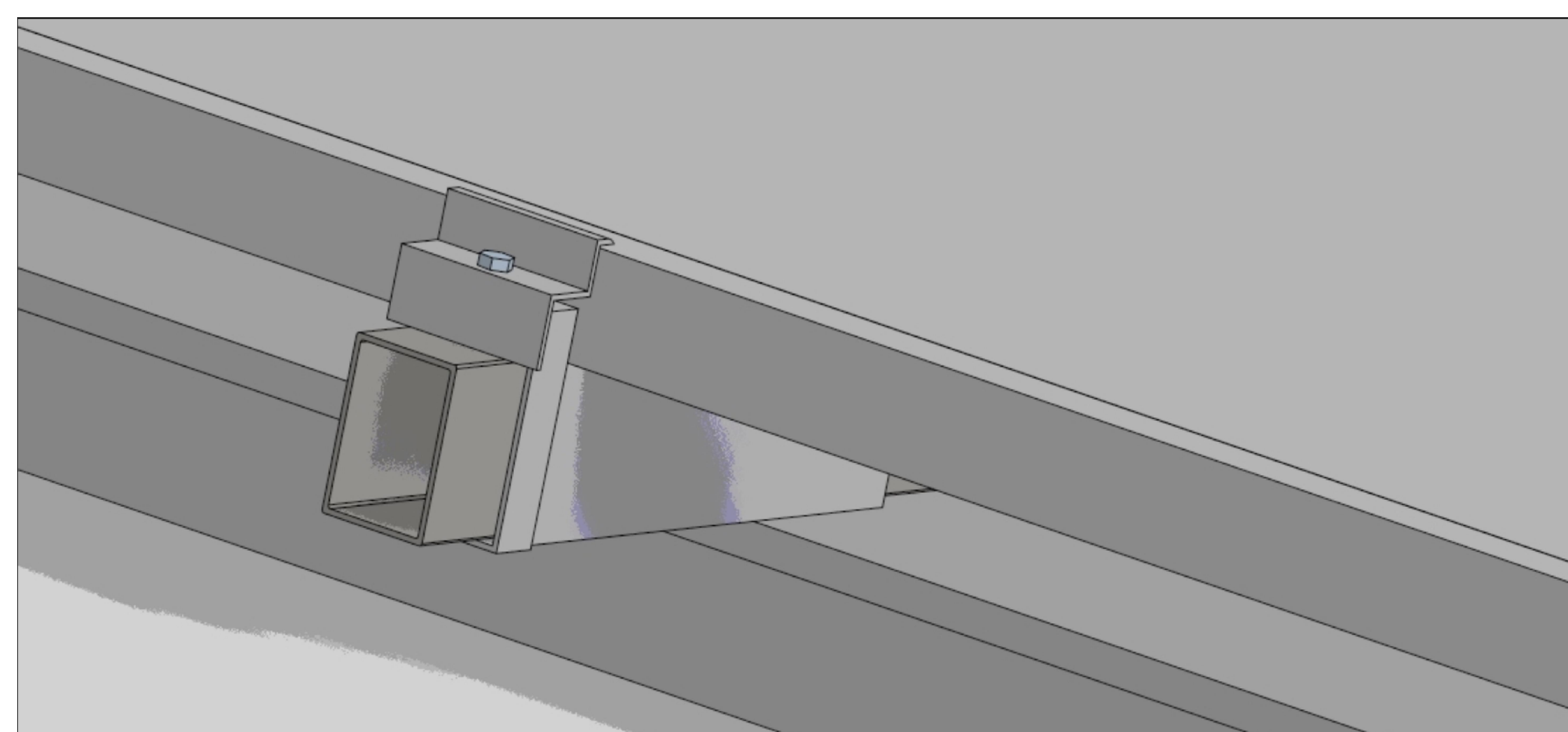
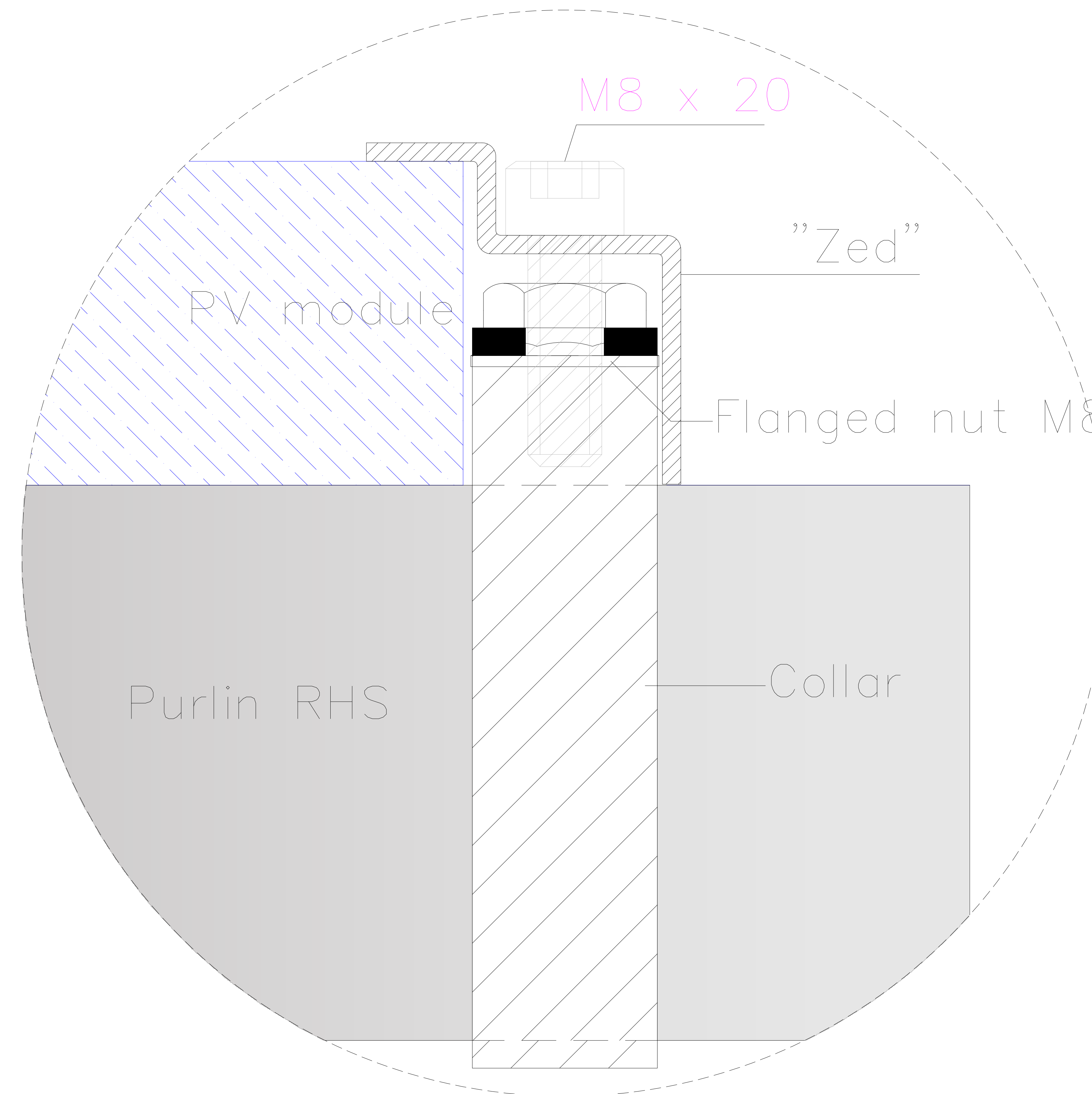


TreeSystem s.r.l.
Via Moraro n°22, 35020, Pozzonovo (PD)
Tel/fax +390429773082

Abutment of the module



DETAIL "E"



PERMITTED TIGHTENING TORQUE OF MAX 10 Nm (to be verified with the prescriptions of the module manufacturer).

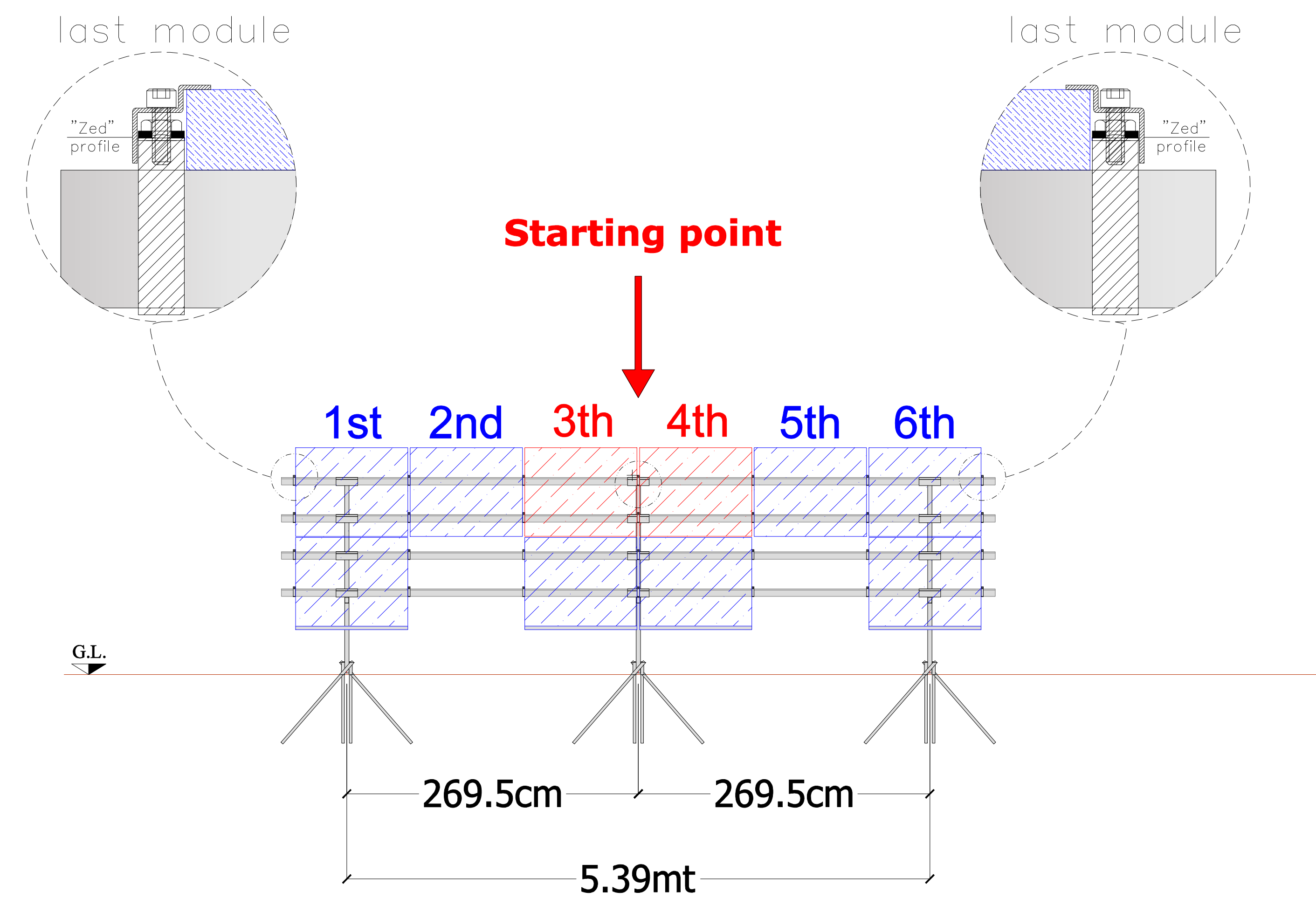


		NAME	DATE		
DRAWN		S.J	29/11/2021	Solelgrossisten Stock4	
CHECKED					
				TITLE	
				Fastening for photovoltaic modules.	
SIZE	DWG N°:	12		REV	
SCALE:	WEIGHT:			SHEET	



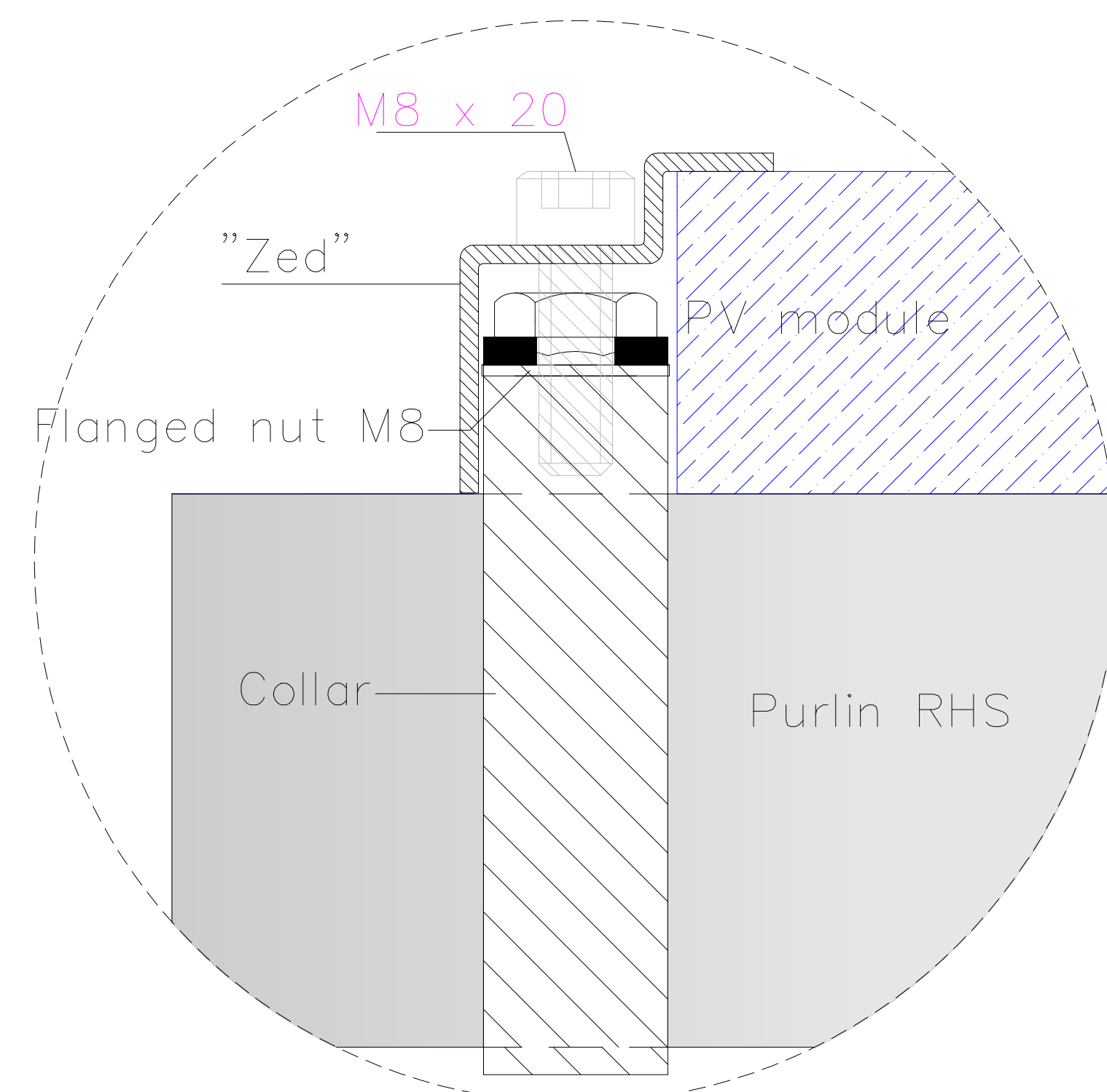
TreeSystem s.r.l.
Via Moraro n°22, 35020, Pozzonovo (PD)
Tel/fax +390429773082

Starting point: for a correct installation of PV modules, you should start from the open collar fixed on the "U" profile welded on the frame positioned at the middle of the rack and proceeding before in one direction and then in the other one, as illustrated.




Tipology of rack: **6+6**

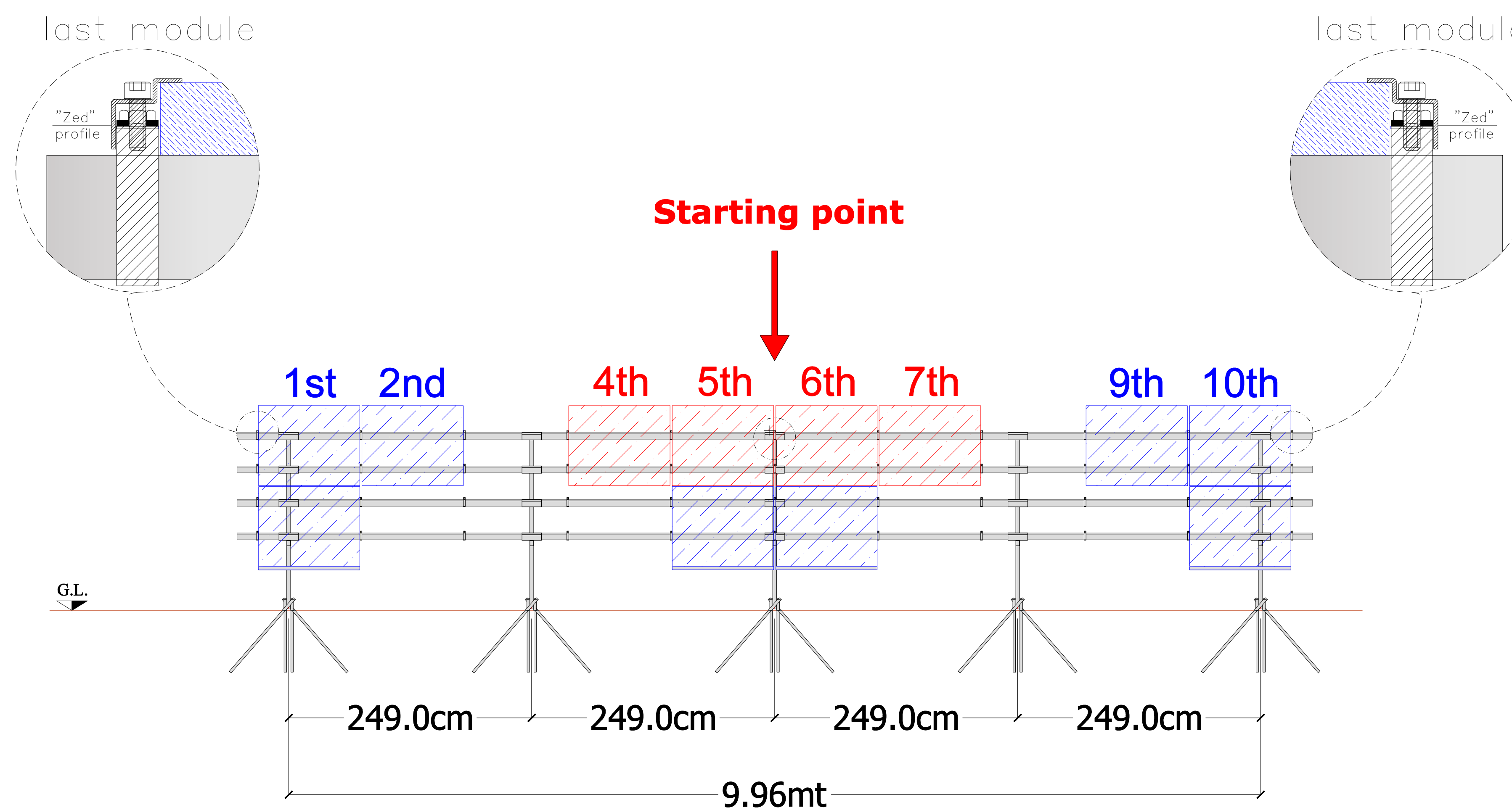
DETAIL "E"



PERMITTED TIGHTENING TORQUE OF MAX 10 Nm (to be verified with the prescriptions of the module manufacturer).

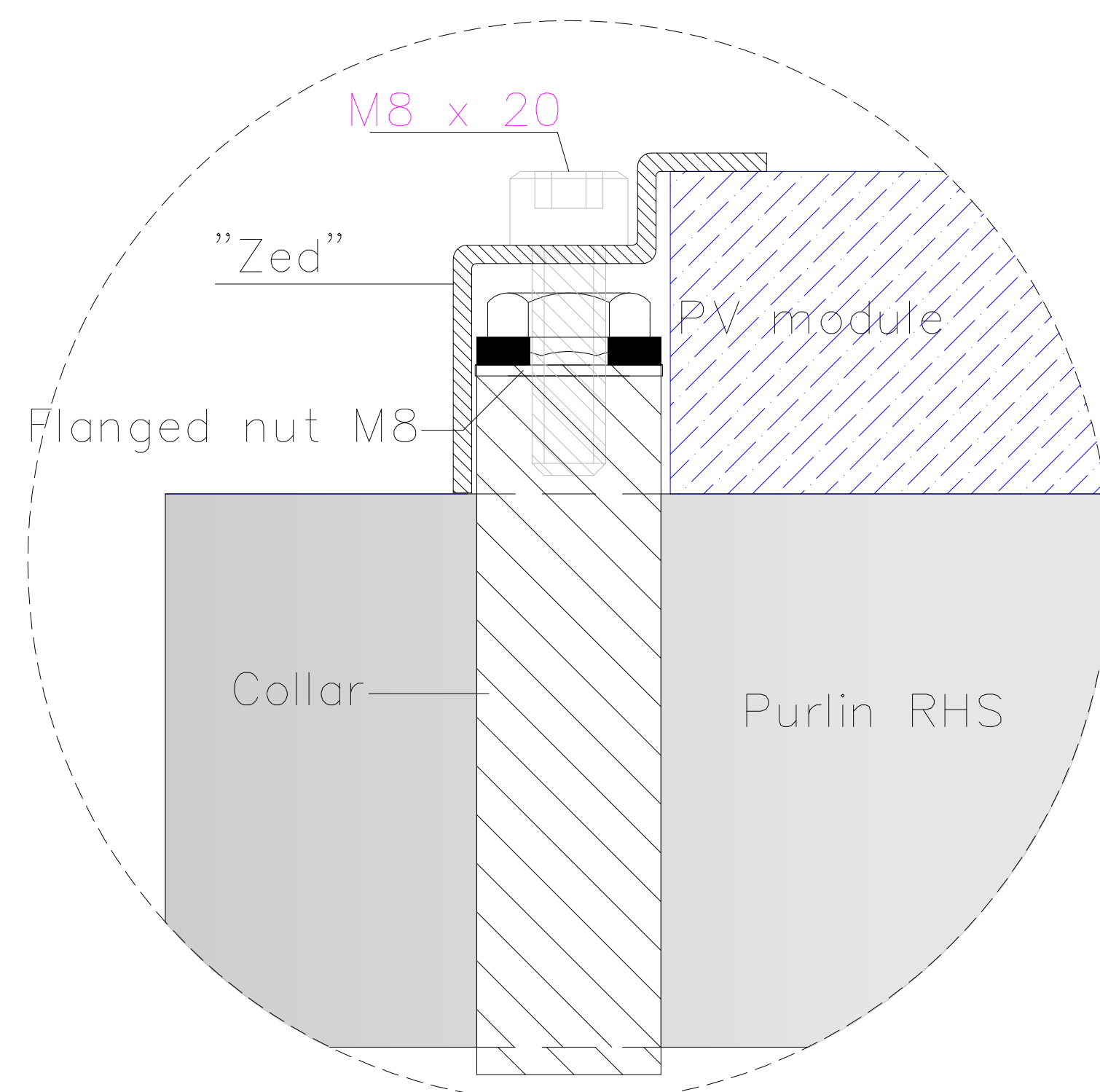
	NAME	DATE	Solelgrossisten Stock4		
DRAWN	S.J	29/11/2021	TITLE Fastening for photovoltaic modules.		
CHECKED					
 TreeSystem s.r.l. Via Moraro n°22, 35020, Pozzonovo (PD) Tel/fax +390429773082			SIZE	DWG N°: 13	REV
			SCALE:	WEIGHT:	SHEET

Starting point: for a correct installation of PV modules, you should start from the open collar fixed on the "U" profile welded on the frame positioned at the middle of the rack and proceeding before in one direction and then in the other one, as illustrated.




Tipology of rack: **10+10**

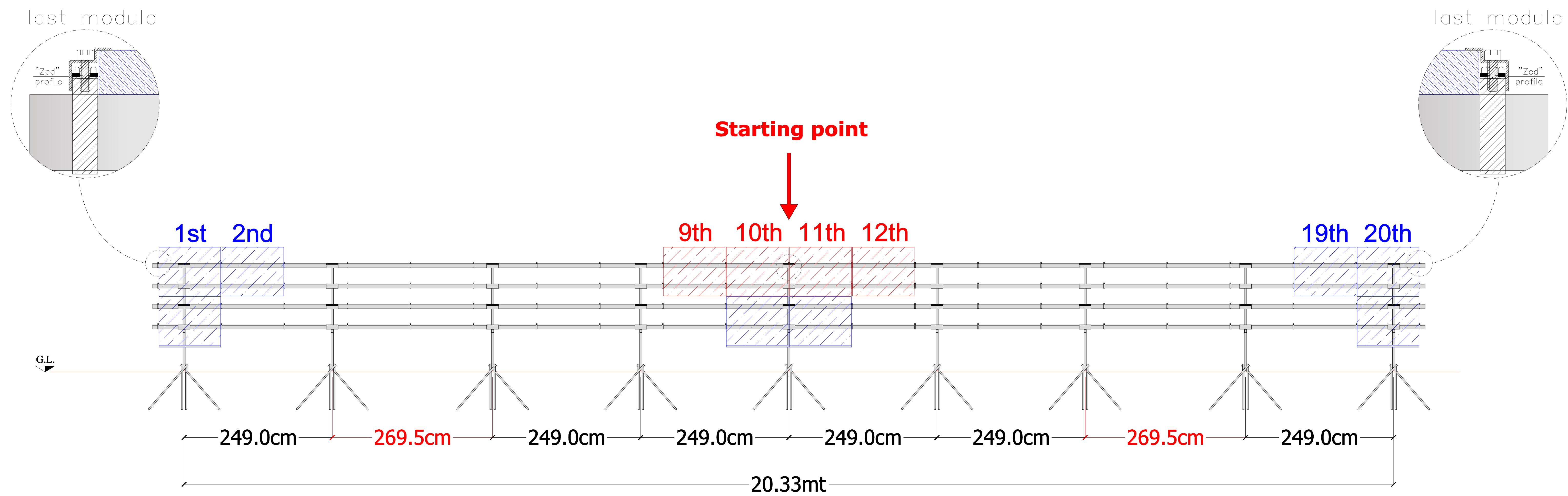
DETAIL "E"



PERMITTED TIGHTENING TORQUE OF MAX 10 Nm (to be verified with the prescriptions of the module manufacturer).

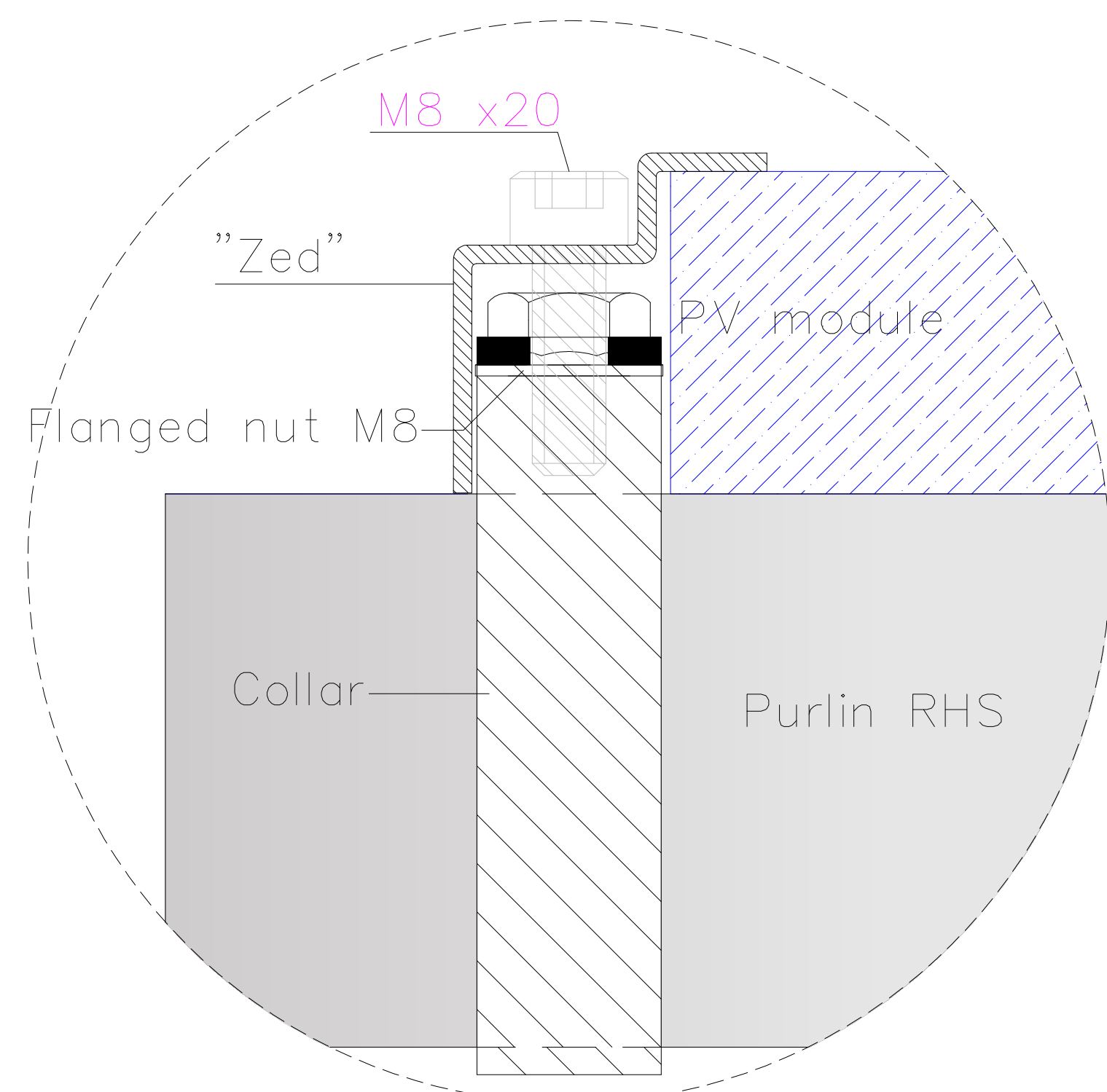
	NAME	DATE	Solelgrossisten Stock4		
DRAWN	S.J	29/11/2021	TITLE Fastening for photovoltaic modules.		
CHECKED					
 TreeSystem s.r.l. Via Moraro n°22, 35020, Pozzonovo (PD) Tel/fax +390429773082			SIZE	DWG N°: 14	REV
			SCALE:	WEIGHT:	SHEET

Starting point: for a correct installation of PV modules, you should start from the open collar fixed on the "U" profile welded on the frame positioned at the middle of the rack and proceeding before in one direction and then in the other one, as illustrated.



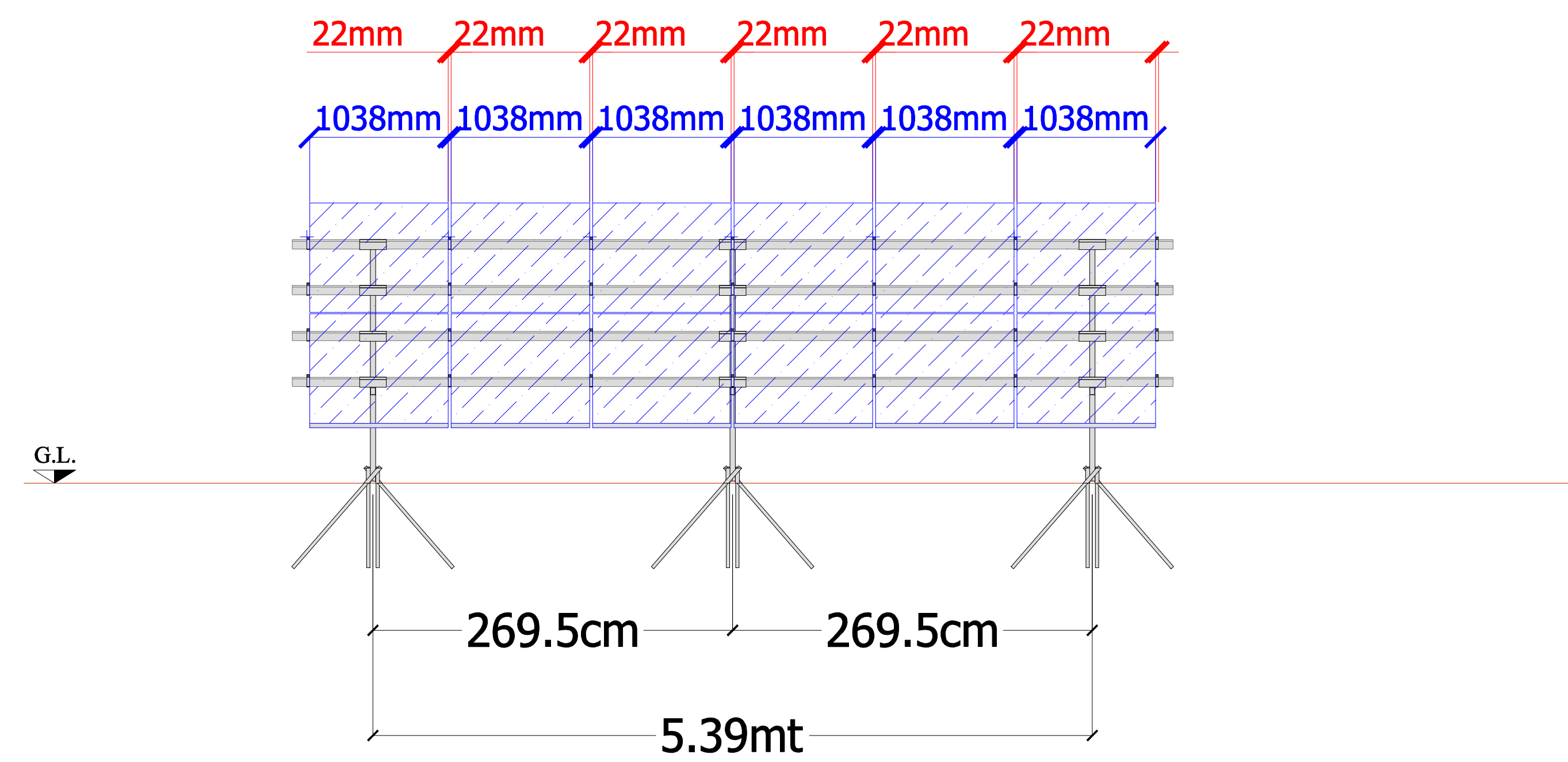
Tipology of rack: **20+20**

DETAIL "E"



PERMITTED TIGHTENING TORQUE OF MAX 10 Nm (to be verified with the prescriptions of the module manufacturer).

	NAME	DATE	Solelgrossisten Stock4	
DRAWN	S.J	29/11/2021		
CHECKED				
			TITLE Fastening for photovoltaic modules.	
TreeSystem s.r.l. Via Moraro n°22, 35020, Pozzonovo (PD) Tel/fax +390429773082			SIZE DWG N°: 15	REV
SCALE:	WEIGHT:	SHEET		

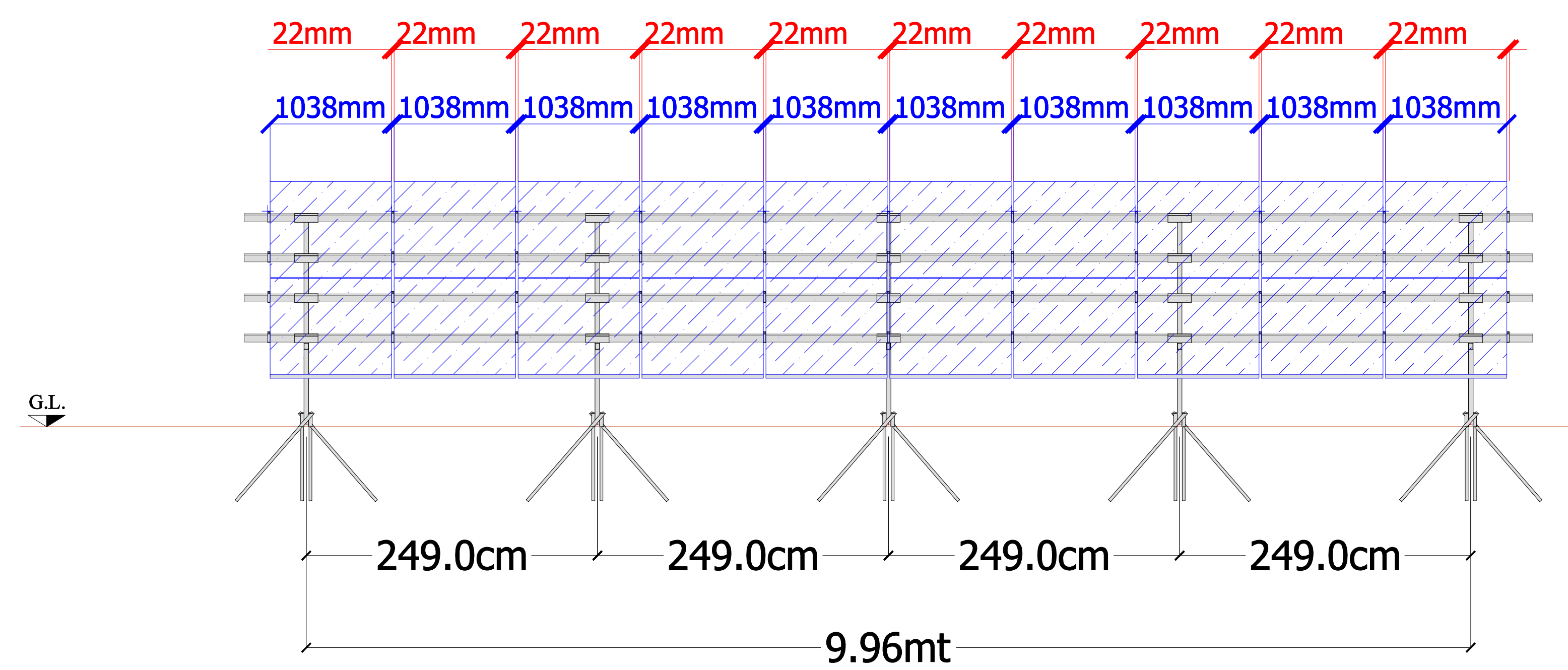


Tipology of rack: **6+6**

DRAWN		NAME	DATE	Solelgrossisten Stock4	
CHECKED		S.J	29/11/2021		
TITLE				Final result.	
SIZE	DWG N°:		16	REV	
SCALE:	WEIGHT:	SHEET			



TreeSystem s.r.l.
Via Moraro n°22, 35020, Pozzonovo (PD)
Tel/fax +390429773082

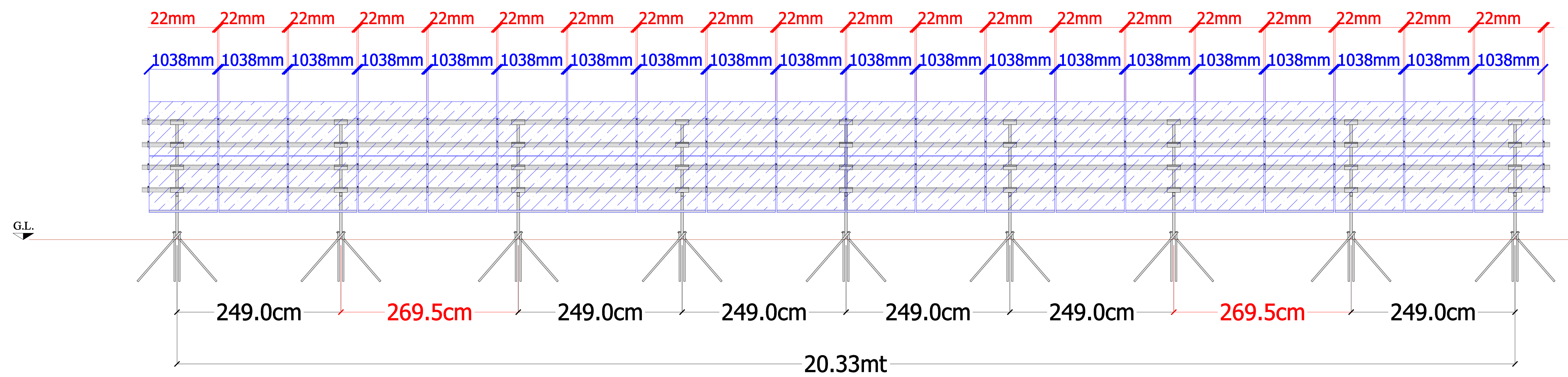


Tipology of rack: **10+10**

DRAWN	NAME	DATE	TITLE		
CHECKED	S.J	29/11/2021	Solelgrossisten Stock4		
			Final result.		
			SIZE	DWG N°: 17	REV
			SCALE:	WEIGHT:	SHEET



TreeSystem s.r.l.
Via Moraro n°22, 35020, Pozzonovo (PD)
Tel/fax +390429773082



Tipology of rack: **20+20**

	NAME	DATE			
DRAWN	S.J	29/11/2021	Solelgrossisten Stock4		
CHECKED					
			TITLE Final result.		
			SIZE	DWG N°: 18	REV
			SCALE:	WEIGHT:	SHEET



TreeSystem s.r.l.
Via Moraro n°22, 35020, Pozzonovo (PD)
Tel/fax +390429773082