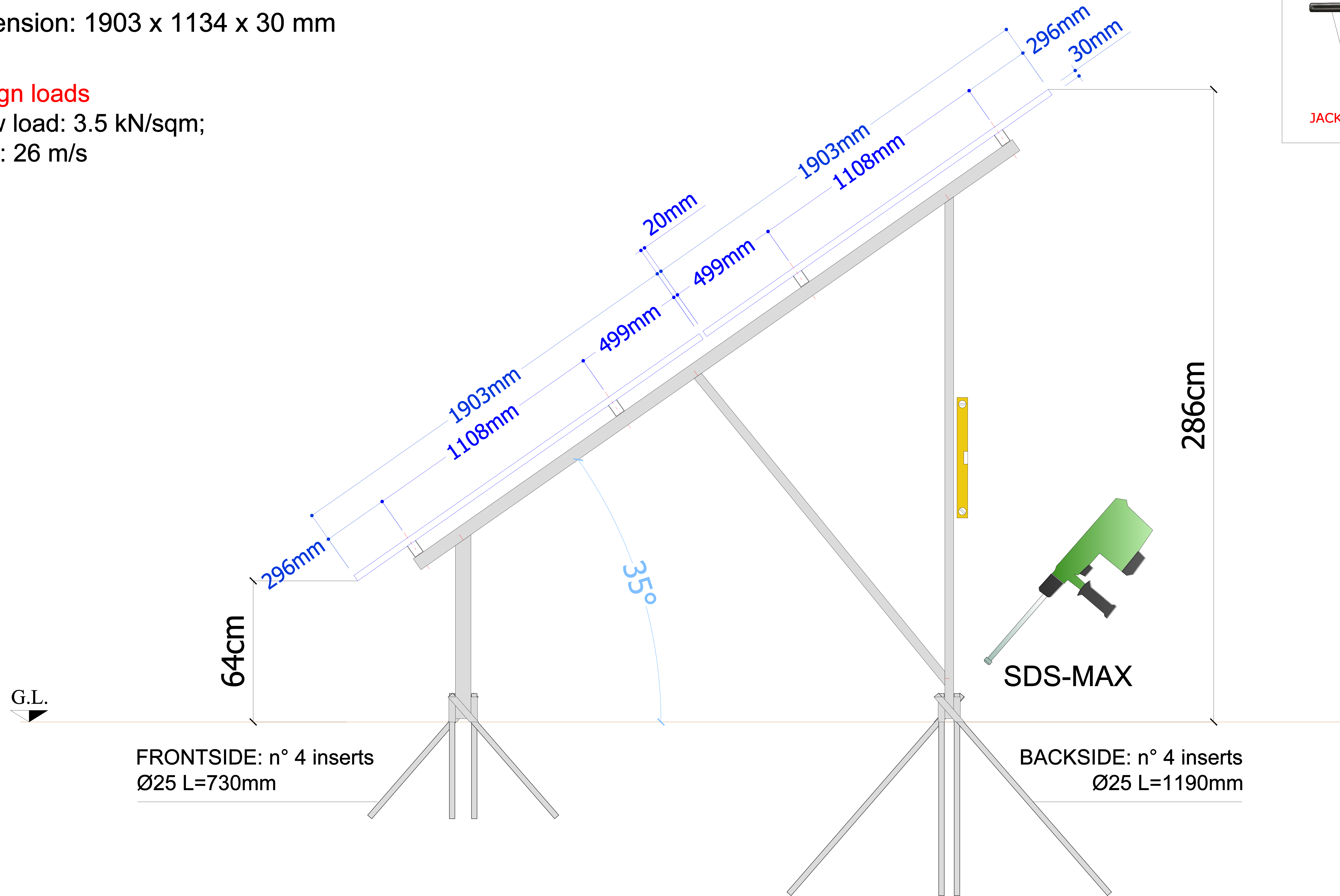


Dimension: 1903 x 1134 x 30 mm

Design loads

snow load: 3.5 kN/sqm;

wind: 26 m/s

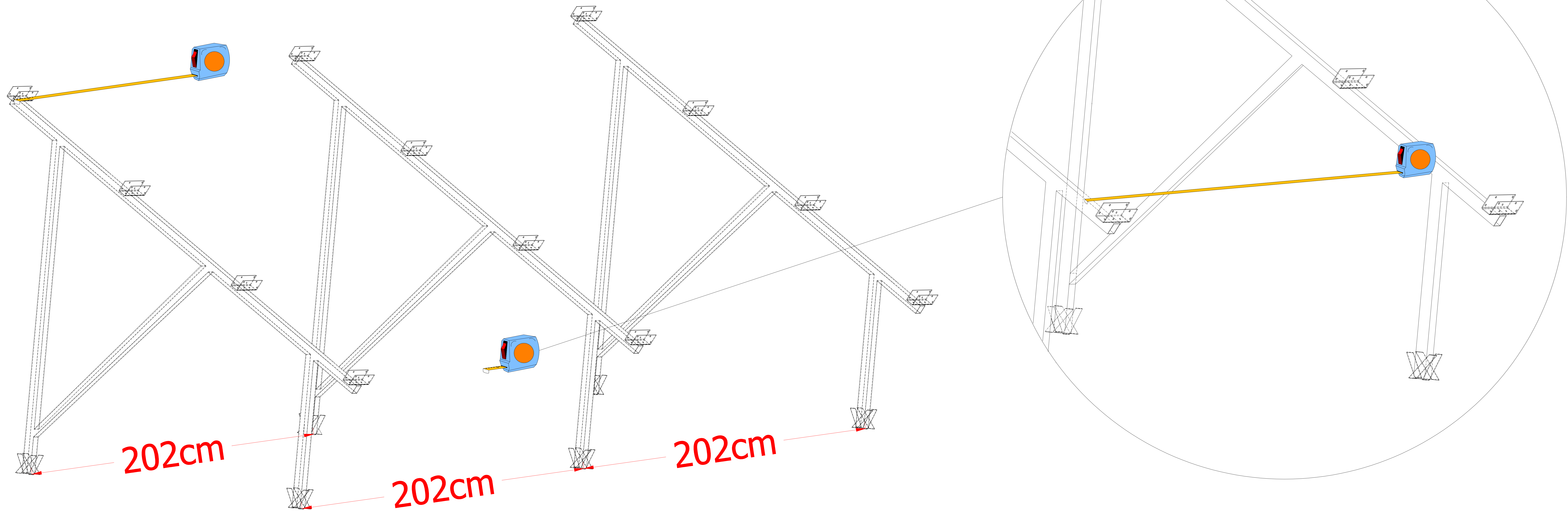


Driving-in the inserts to the ground through guides placed at the base of the frames, using a jack-hammer with SDS-MAX tool tip or a common hammer, only when all the structure is installed and it has checked that the spirit level giving the transverse orientation of the structure indicates the horizontal.

		NAME	DATE		
DRAWN		G.S.	11/10/2023	Solelgrossisten Stock order	
CHECKED					
				TITLE	
				"Tree System" Anchoring.	
SIZE	DWG N°:			1	REV
SCALE:	WEIGHT:	SHEET			

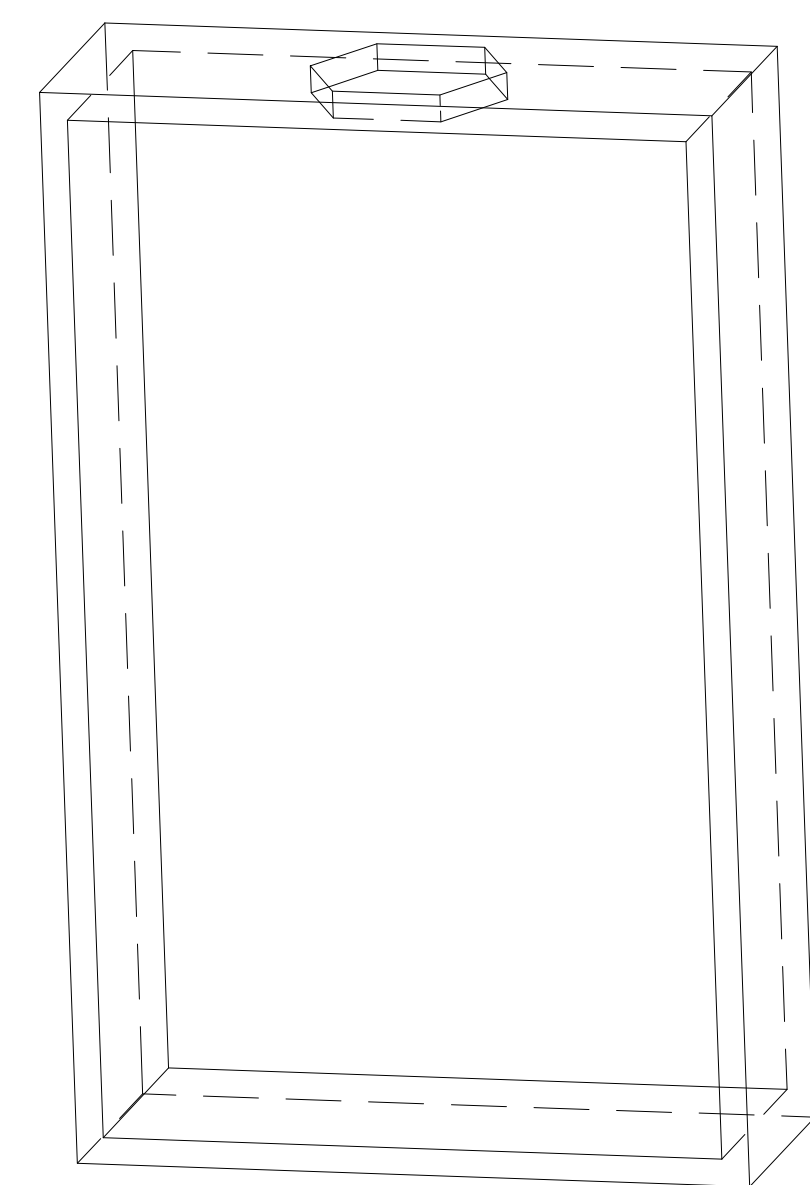


TreeSystem s.r.l.
Via Moraro n°22, 35020, Pozzonovo (PD)
Tel/fax +390429773082

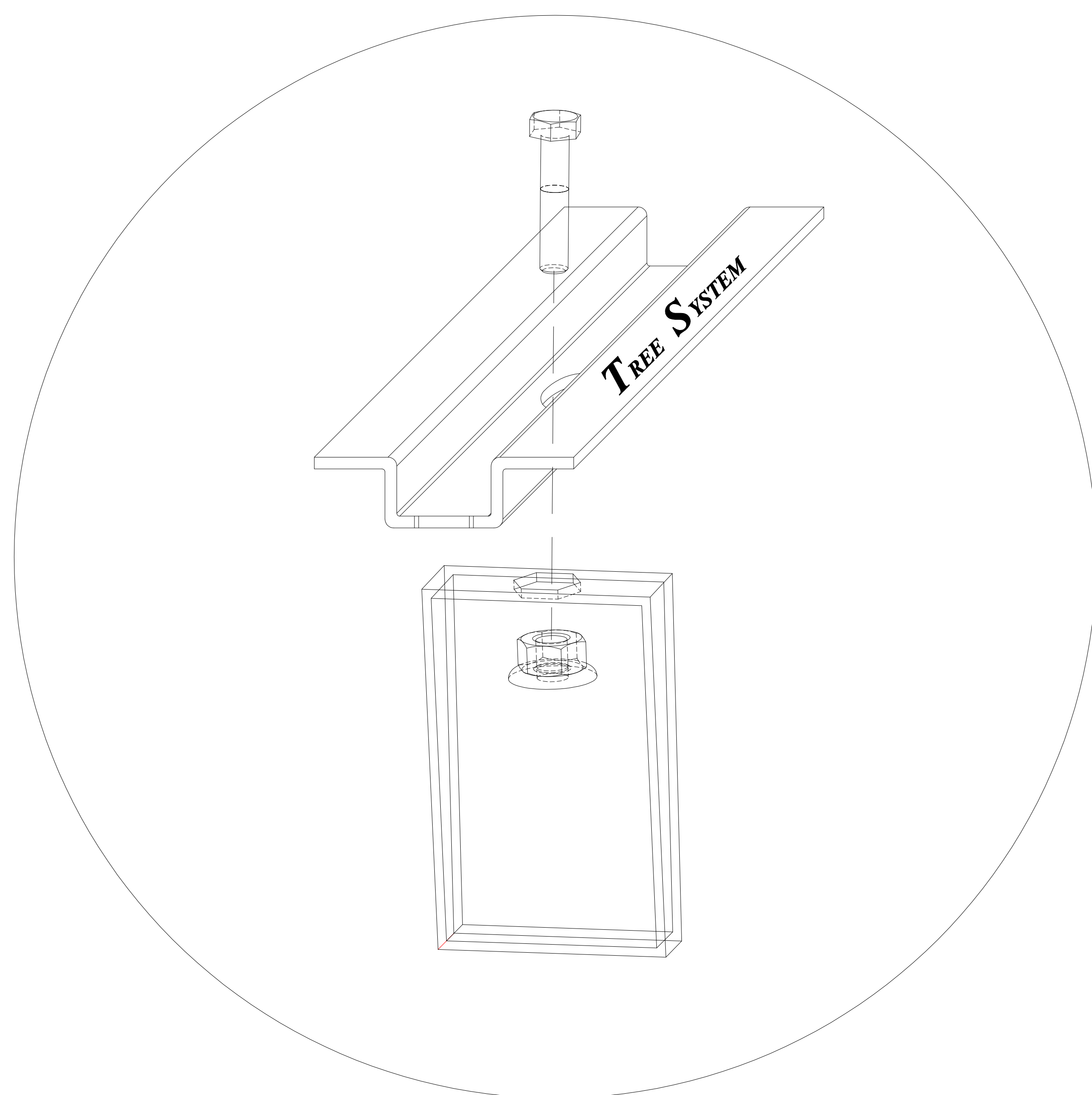
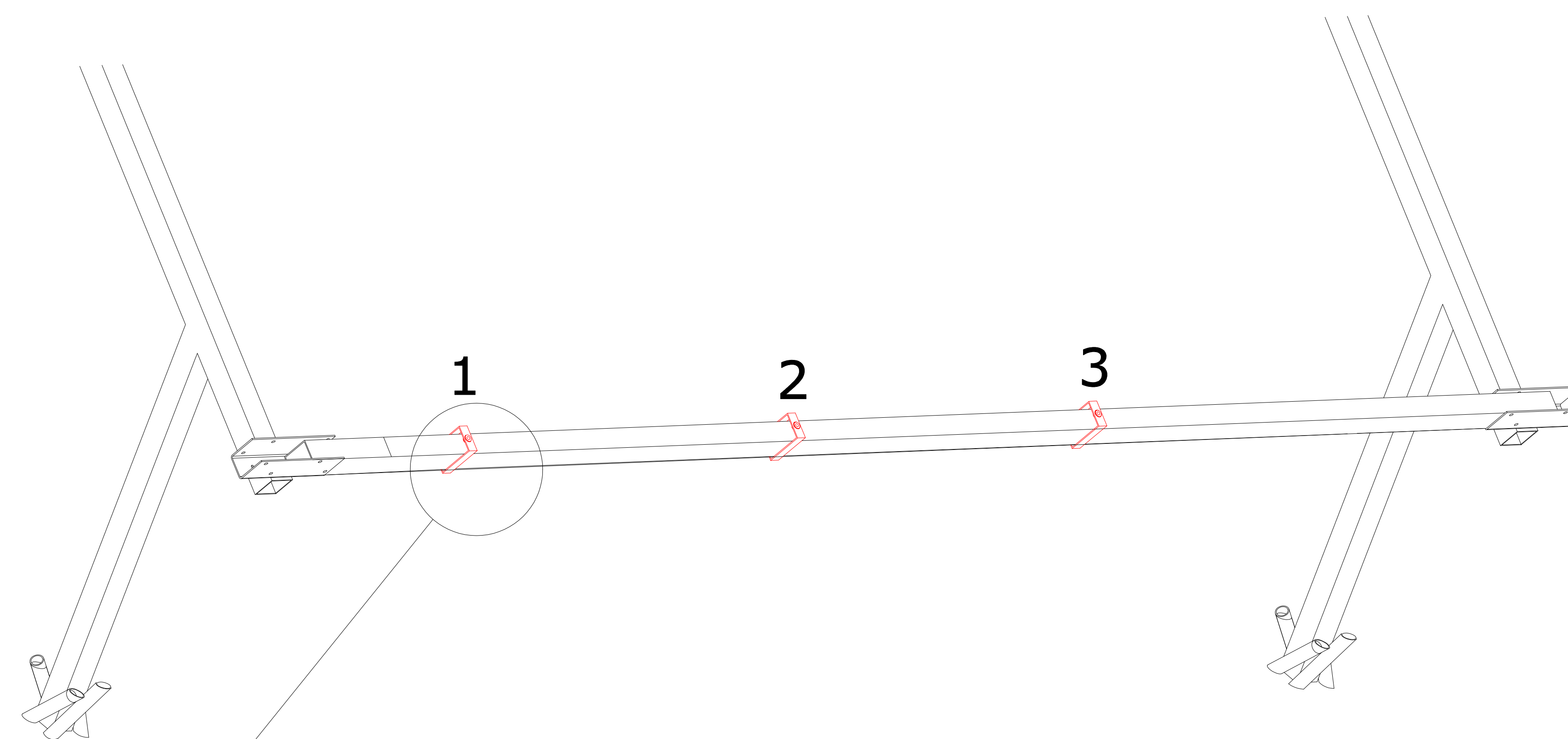


To find the exact spacing between the frames (**202/217cm**) you can use two tape-measures placed one on the front side and the other one on the back side of the frames. To plot the alignment of the rack, just place a picket at the beginning and end of each one, positioned on the back side of the frame (at the bottom of the back pillar) and pull a builder line that will determine the correct alignment.


	NAME	DATE	Solelgrossisten Stock order		
DRAWN	G.S.	11/10/2023			
CHECKED			TITLE Spacing between the frameworks.		
 TreeSystem s.r.l. Via Moraro n°22, 35020, Pozzonovo (PD) Tel/fax +390429773082			SIZE	DWG N°: 2	REV
			SCALE:	WEIGHT:	SHEET



Collar



The "collars" to fix the modules must be inserted before fixing the horizontal beams to the frames: you have to insert **no. 1 or 2** collars for each span, while for the cantilevers it's sufficient **1** collar, as shown below.

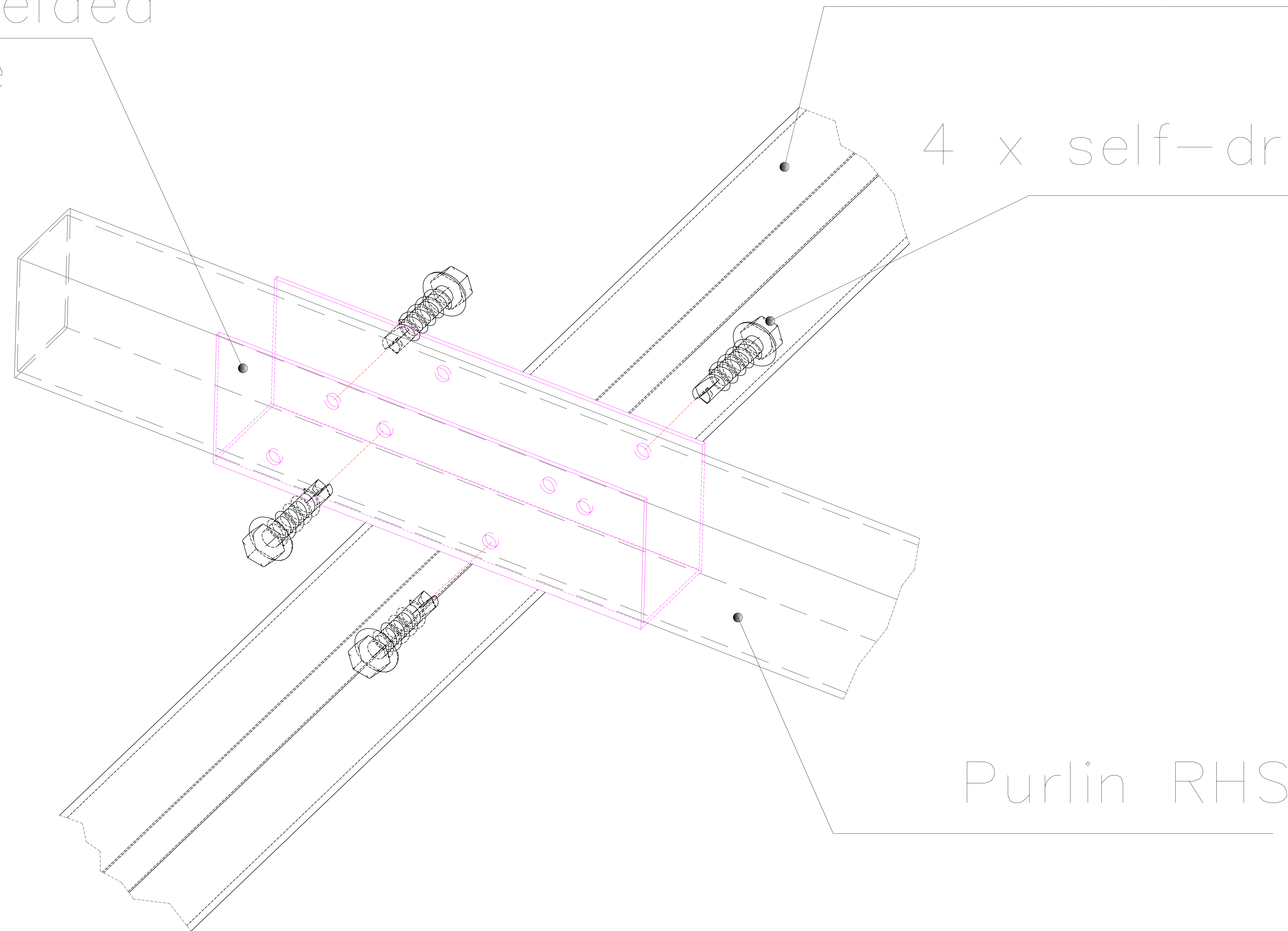
	NAME	DATE	Solelgrossisten Stock order		
DRAWN	G.S.	11/10/2023			
CHECKED			TITLE Insertion collars to fasten PV modules.		
 TreeSystem s.r.l. Via Moraro n°22, 35020, Pozzonovo (PD) Tel/fax +390429773082			SIZE	DWG N°: 3	REV
			SCALE:	WEIGHT:	SHEET

DETAIL "A": INITIAL POSITIONS

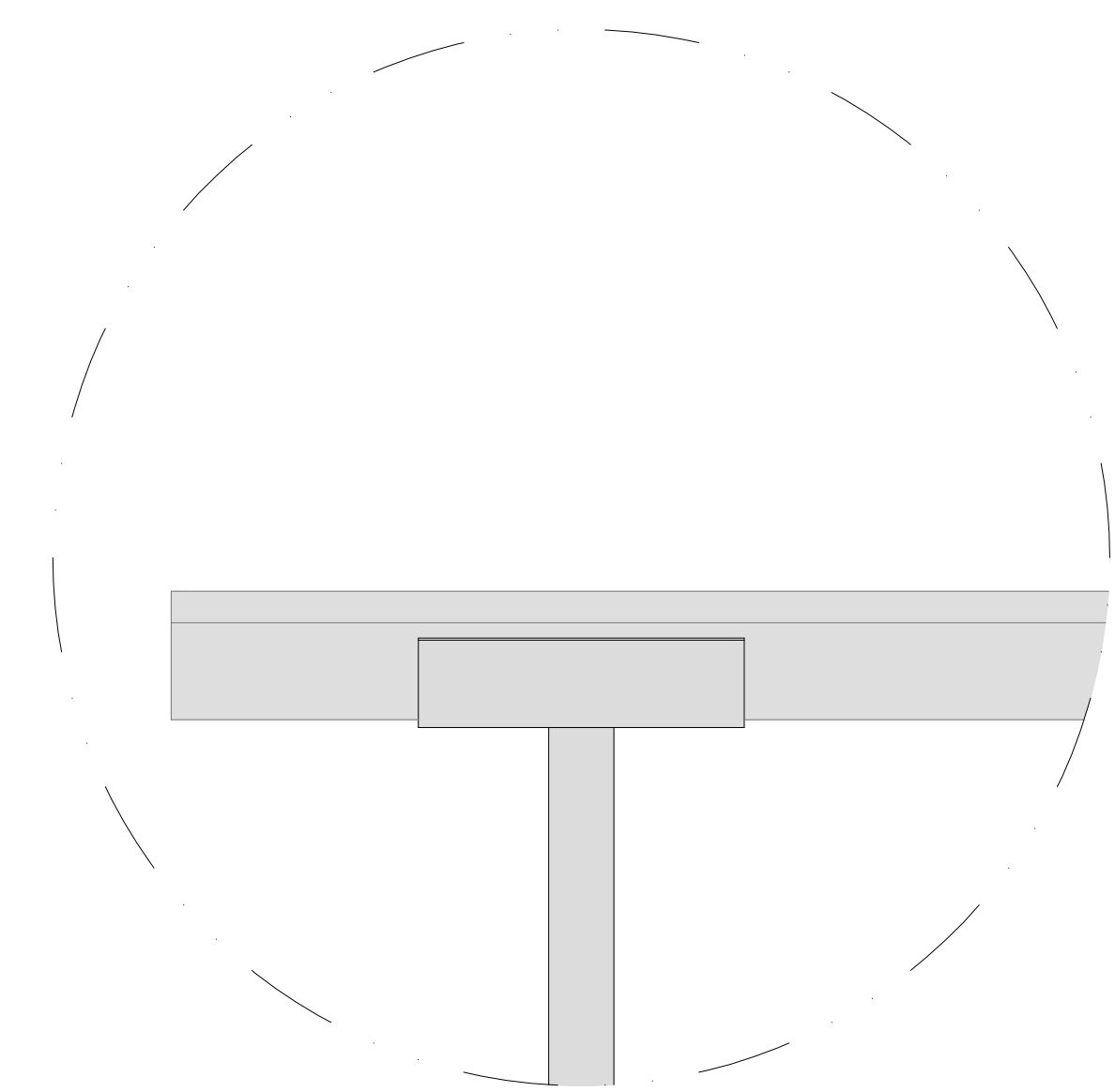
"U" profile welded to the frame

Frame RHS

4 x self-drilling screws



A



Purlin RHS

PERMITTED TIGHTENING TORQUE OF MAX 7-8 Nm.



NAME	DATE	Solelgrossisten Stock order	
DRAWN	G.S.	11/10/2023	
CHECKED			
		TITLE Fastening horizontal profiles to the frames.	
SIZE	DWG N°:	4	REV
SCALE:	WEIGHT:	SHEET	



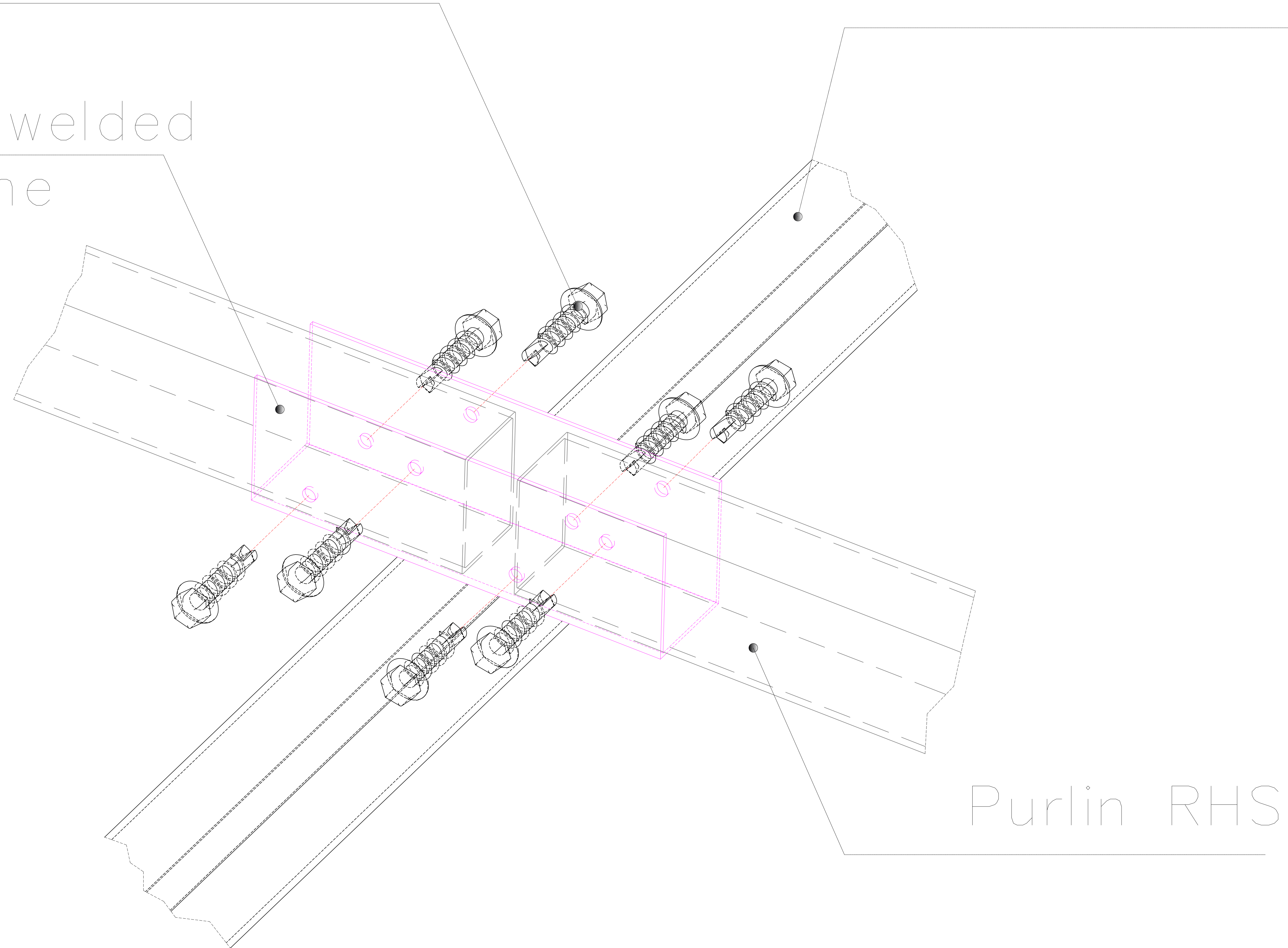
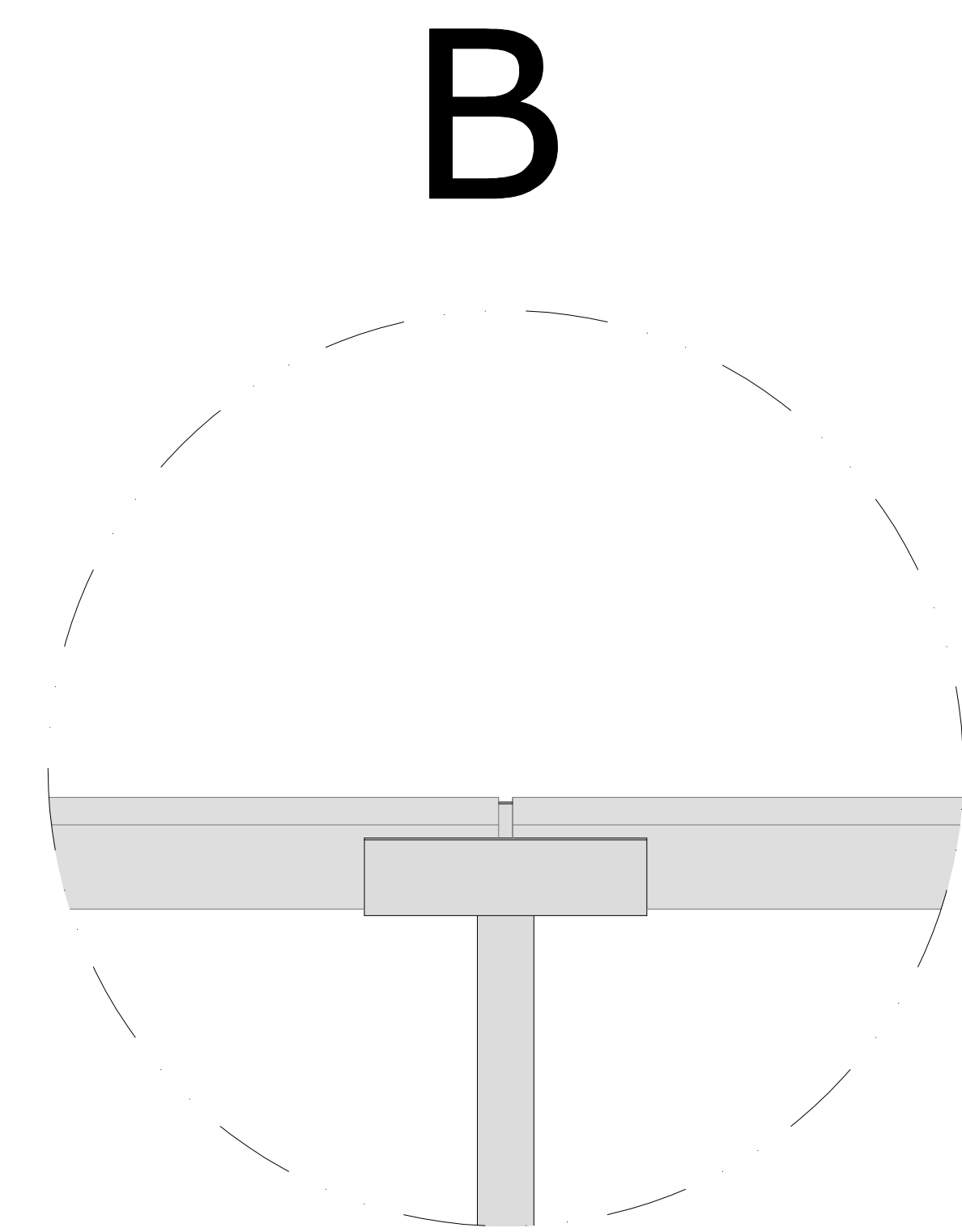
TreeSystem s.r.l.
Via Moraro n°22, 35020, Pozzonovo (PD)
Tel/fax +390429773082

DETAIL "B": TÊTE-à-TÊTE POSITIONS

8 x self-drilling screws

Frame RHS


"U" profile welded to the frame



Purlin RHS

PERMITTED TIGHTENING TORQUE OF MAX 7-8 Nm.



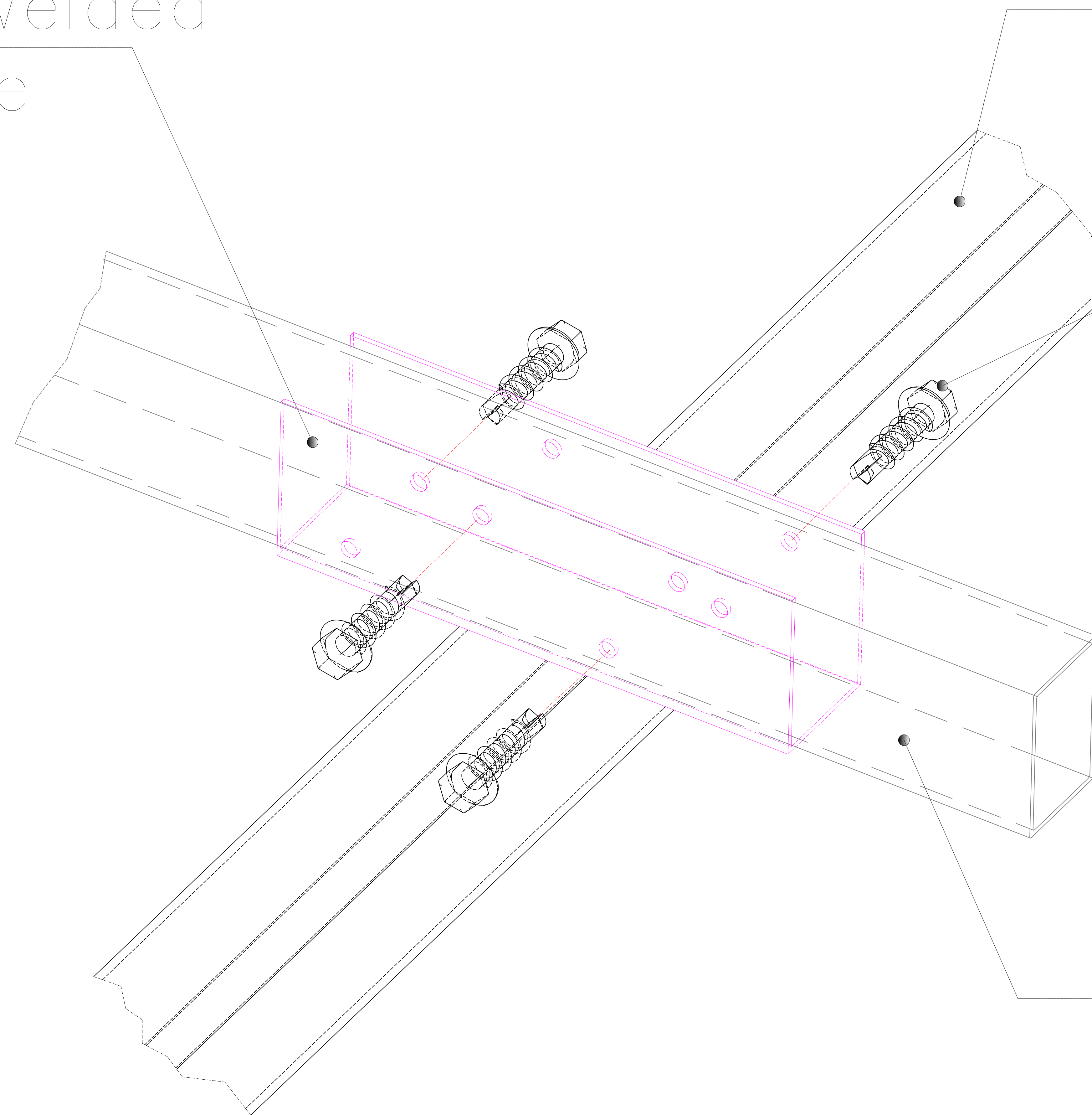
DRAWN	NAME	DATE	Solelgrossisten Stock order	
CHECKED	G.S.	11/10/2023	TITLE Fastening horizontal profiles to the frames.	
			SIZE	DWG N°: 5
			SCALE:	WEIGHT: SHEET
 TreeSystem s.r.l. <small>Via Moraro n°22, 35020, Pozzonovo (PD) Tel/fax +390429773082</small>			REV	

DETAIL "C": FINAL POSITIONS

"U" profile welded to the frame

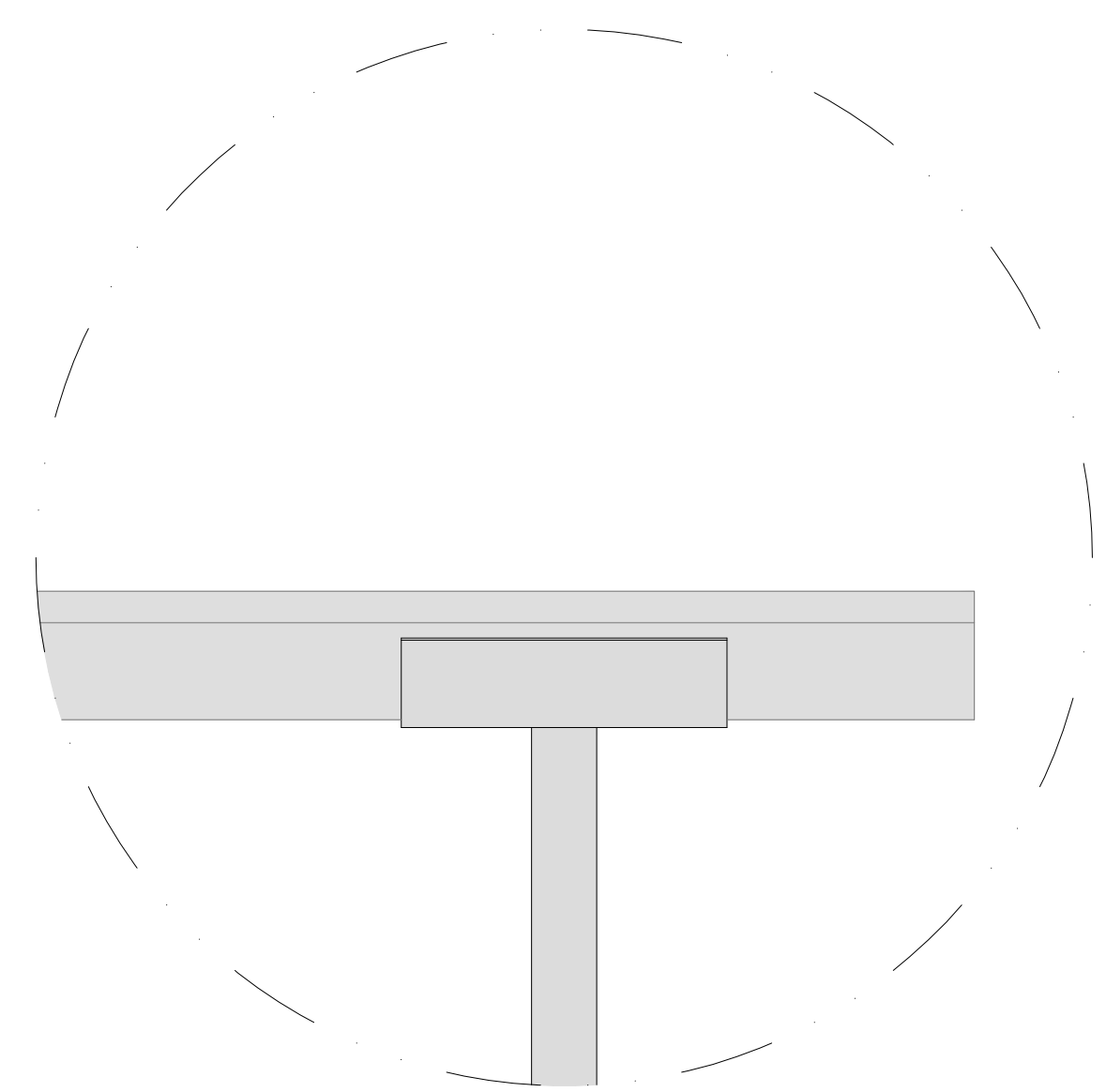
Frame RHS

4 x self-drilling screws



Purlin RHS

C



PERMITTED TIGHTENING TORQUE OF MAX 7-8 Nm.

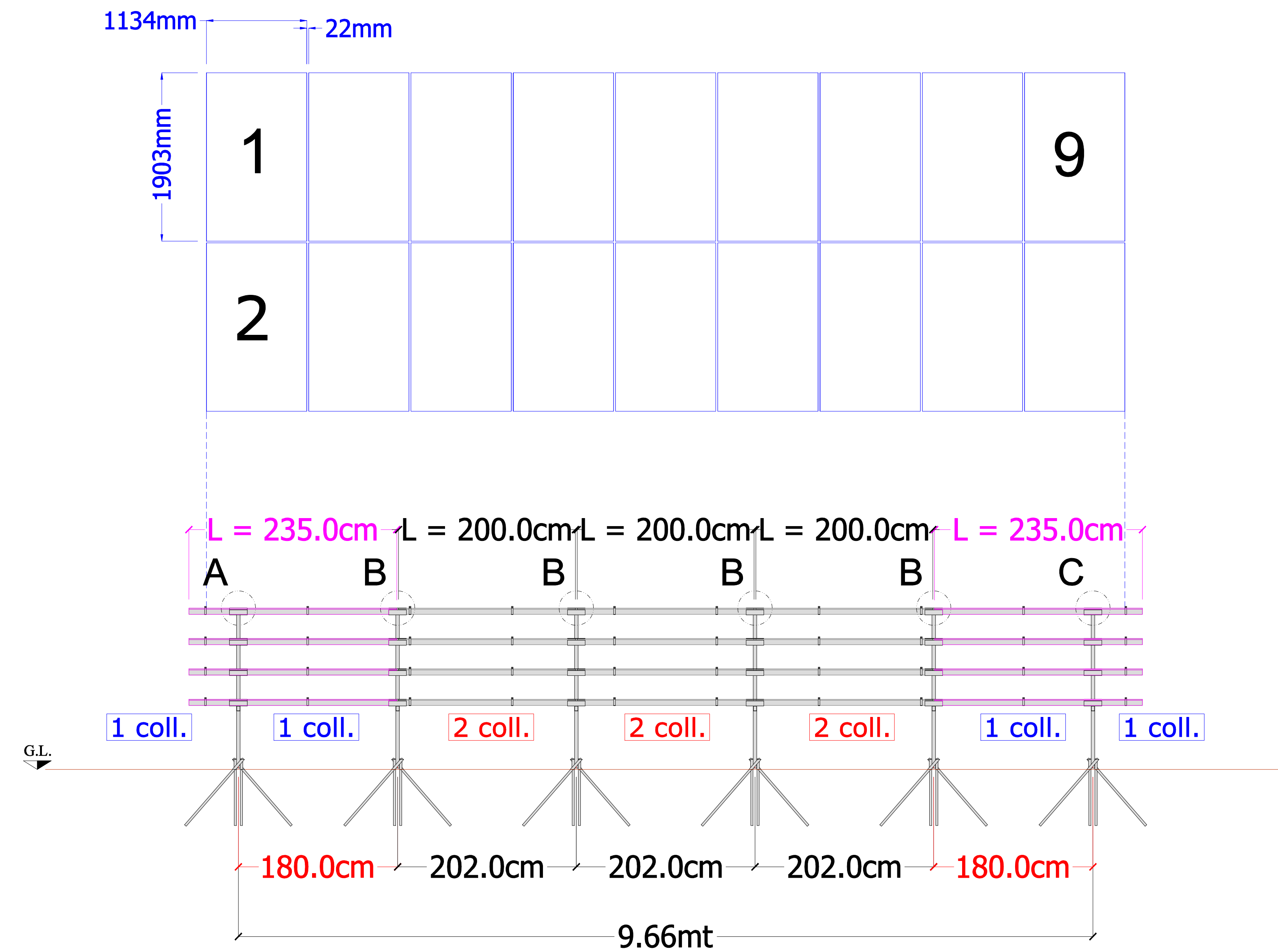


NAME	DATE	Solelgrossisten Stock order	
DRAWN	G.S.	11/10/2023	
CHECKED			
TITLE			Fastening horizontal profiles to the frames.
SIZE	DWG N°:	6	REV
SCALE:	WEIGHT:	SHEET	



TreeSystem s.r.l.
Via Moraro n°22, 35020, Pozzonovo (PD)
Tel/fax +390429773082

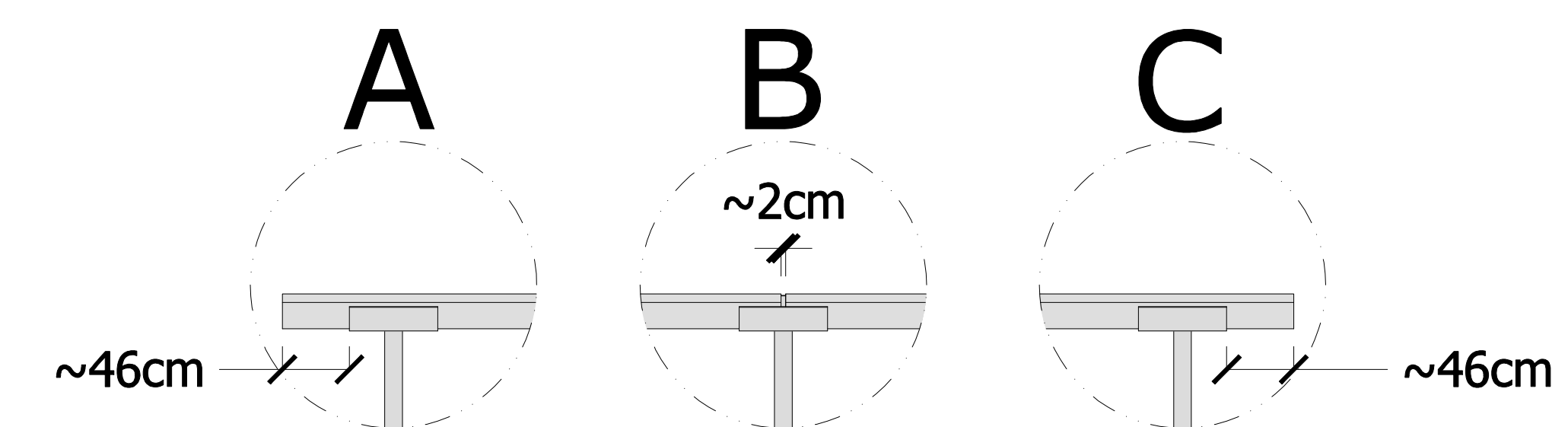
Tipology of rack: 9+9



For each rack, it is required:

- 6 FRAMEWORKS 35°;
- 12 PURLINS L=200cm;
- 8 PURLINS L=235cm;
- 40 COLLARS.

DO NOT CUT THE HORIZONTAL PROFILES FOR ANY REASONS, SINCE THEY ARE ALREADY CUT ON SIZE.



Complete package with mounting material for ground installation based on 2 rows of 9 solar panels with dimensions 1903 x 1134 x 30 mm. Portrait orientation, 35° tilt.

The 2x9 package is based on the ZXM7-UHLDD120 Bifacial 460W which measures 1903mm in height and 1134mm in width.

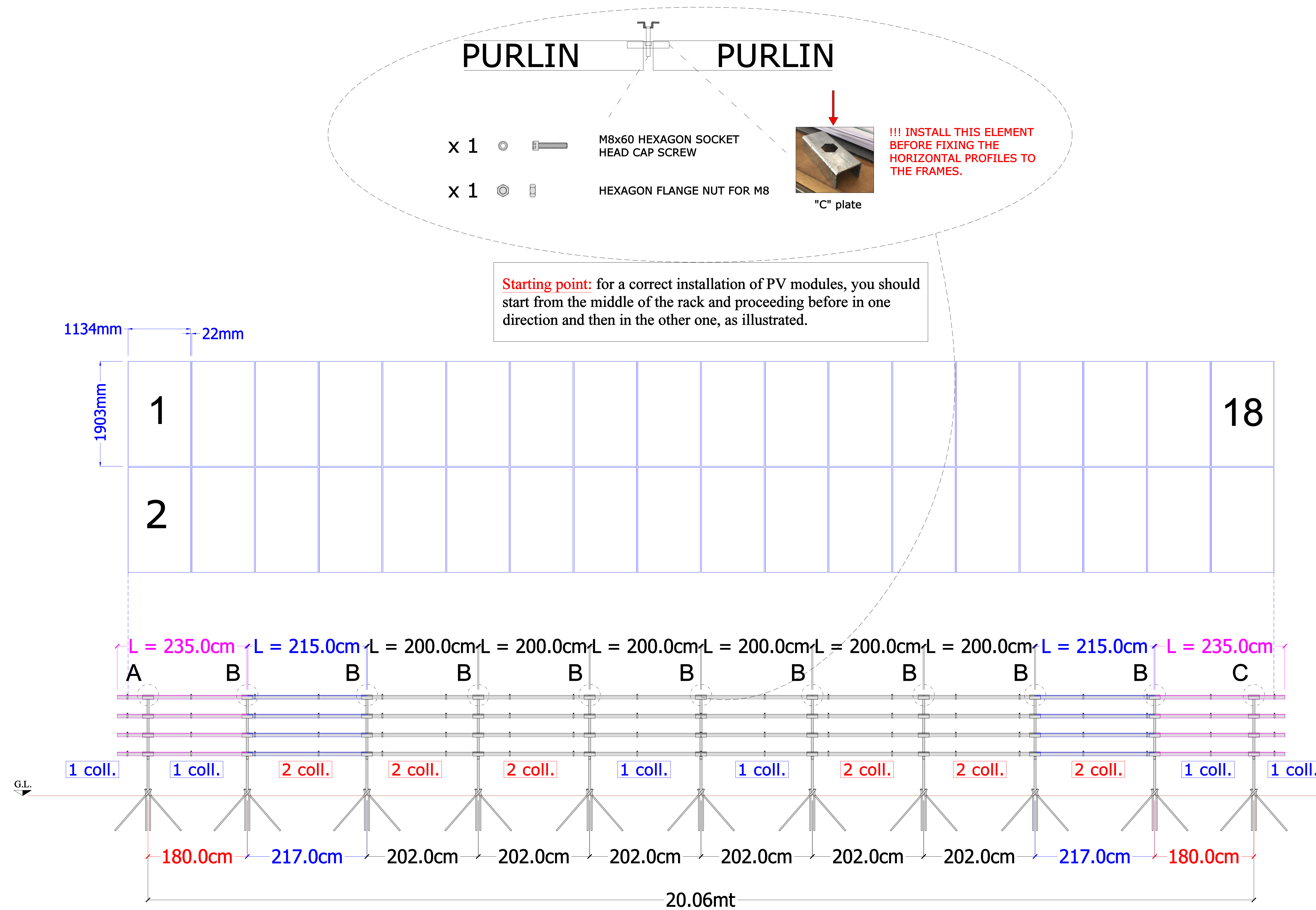
It is possible to use 72/144 cell panels with height measurements between 1900 - 2100 mm.

	NAME	DATE	Solelgrossisten Stock order	
DRAWN	G.S.	11/10/2023		
CHECKED				
TITLE			Layout Racks.	
SIZE	DWG N°:	7	REV	
SCALE:	WEIGHT:	SHEET		



TreeSystem s.r.l.
Via Moraro n°22, 35020, Pozzonovo (PD)
Tel/fax +390429773082

Tipology of rack: 18+18



For each rack, it is required:

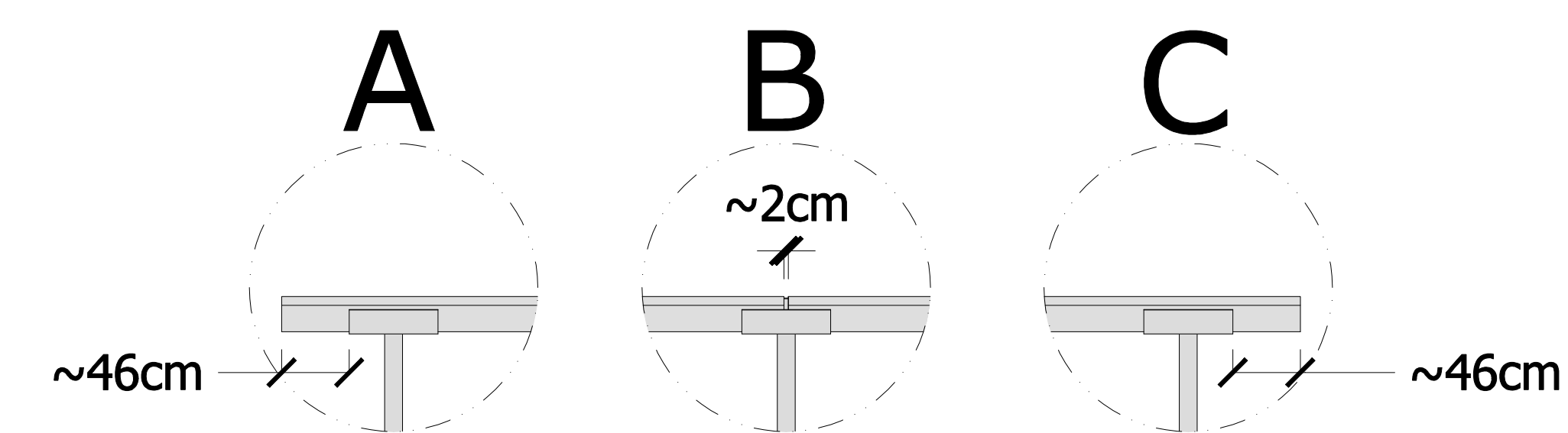
- 11 FRAMEWORKS 35°;
- 24 PURLINS L=200cm;
- 8 PURLINS L=215cm;
- 8 PURLINS L=235cm;
- 72 COLLARS;
- 4 "C" plates.

DO NOT CUT THE HORIZONTAL PROFILES FOR ANY REASONS, SINCE THEY ARE ALREADY CUT ON SIZE.

Complete package with mounting material for ground installation based on 2 rows of 18 solar panels with dimensions 1903 x 1134 x 30 mm. Portrait orientation, 35° tilt.

The 2x18 package is based on the ZXM7-UHLDD120 Bifacial 460W which measures 1903mm in height and 1134mm in width.

It is possible to use 72/144 cell panels with height measurements between 1900 - 2100 mm.



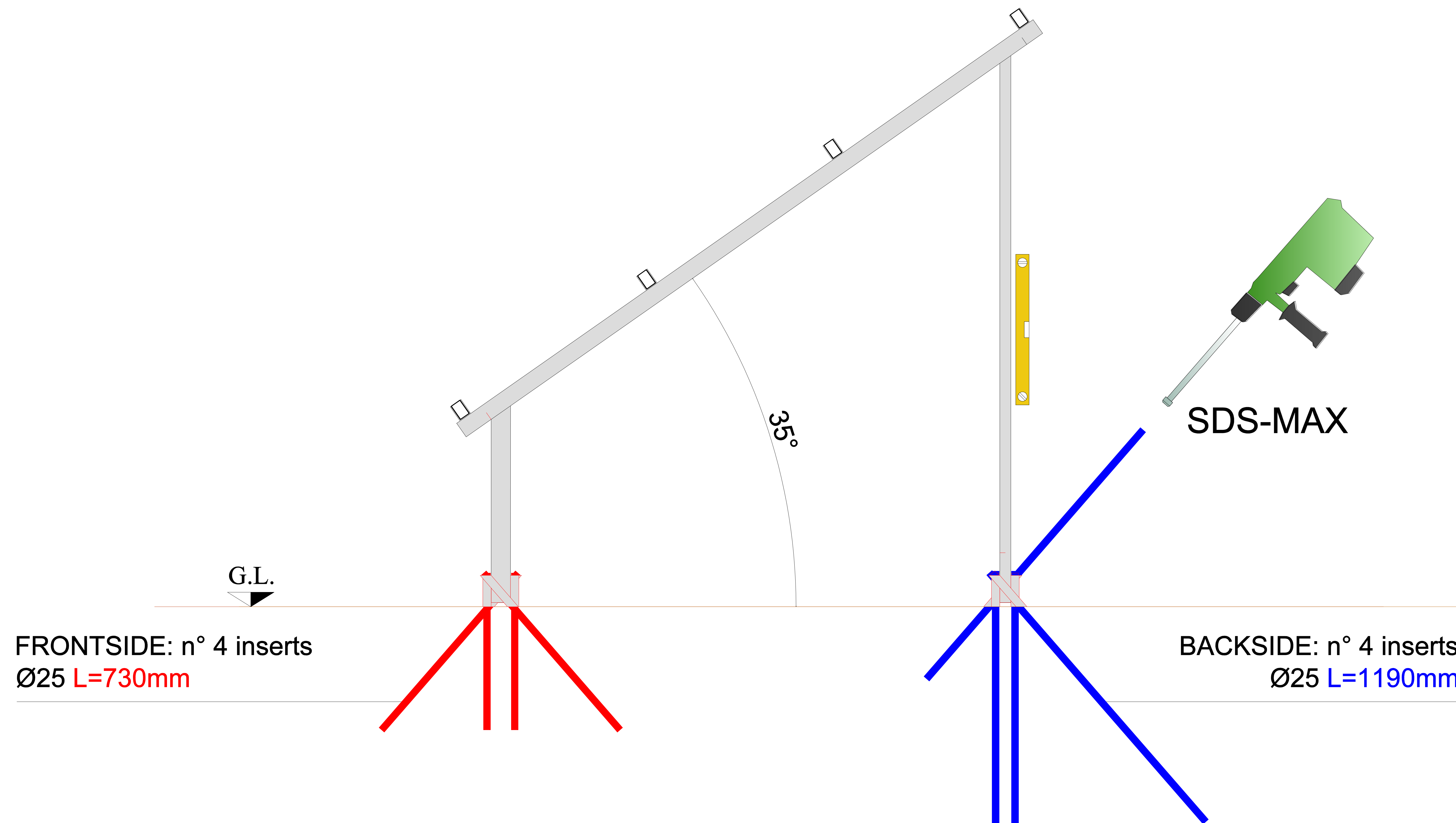
	NAME	DATE			
DRAWN	G.S.	11/10/2023	Solelgrossisten Stock order		
CHECKED					
			TITLE		
			Layout Racks.		
			SIZE	DWG N°: 8	REV
			SCALE:	WEIGHT:	SHEET

TREE SYSTEM
TreeSystem s.r.l.
Via Moraro n°22, 35020, Pozzonovo (PD)
Tel/fax +390429773082

PAY ATTENTION TO THE DIFFERENT LENGTH OF THE INSERTS.




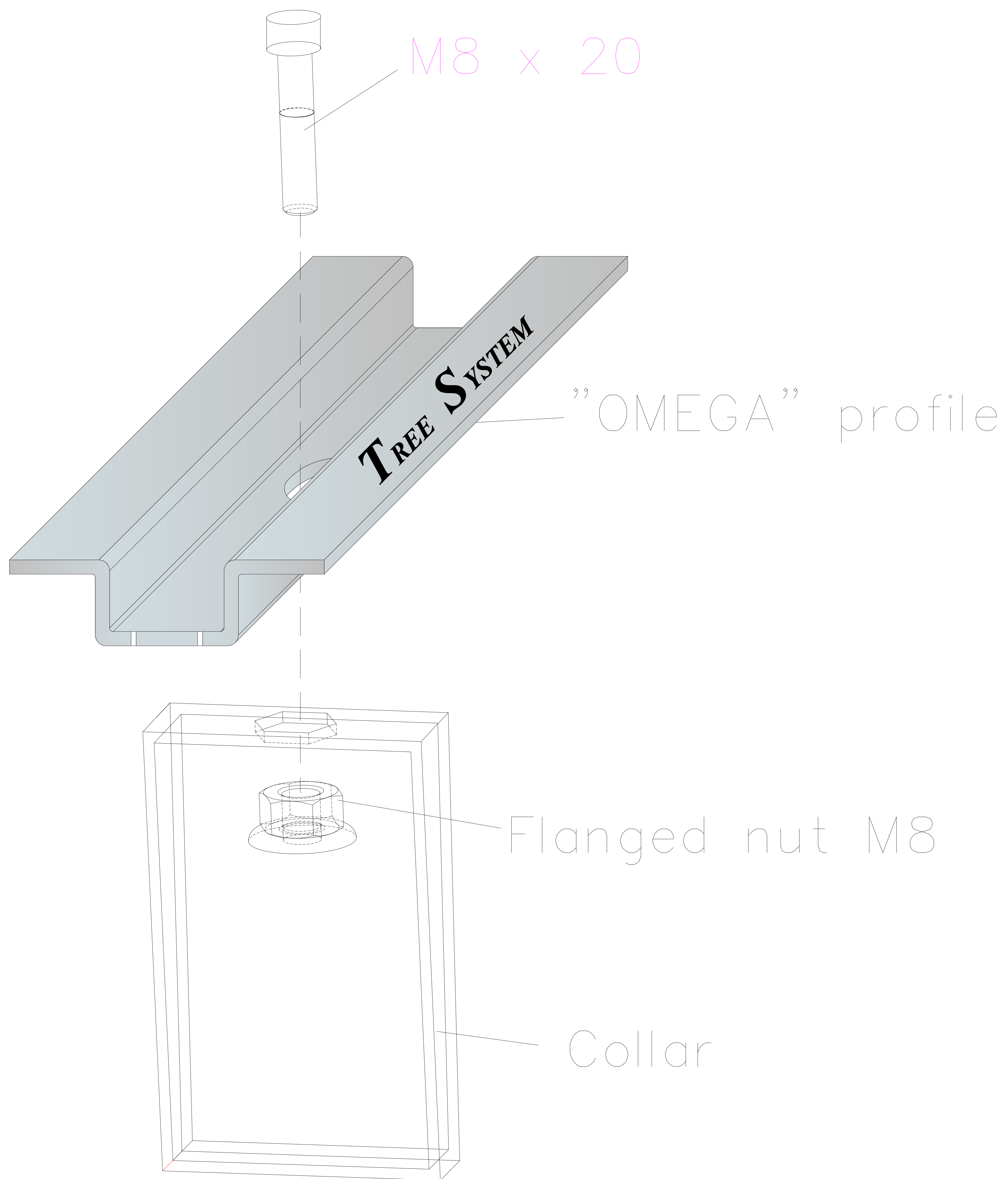
JACK HAMMER with SDS-MAX SOCKET REQUIRED



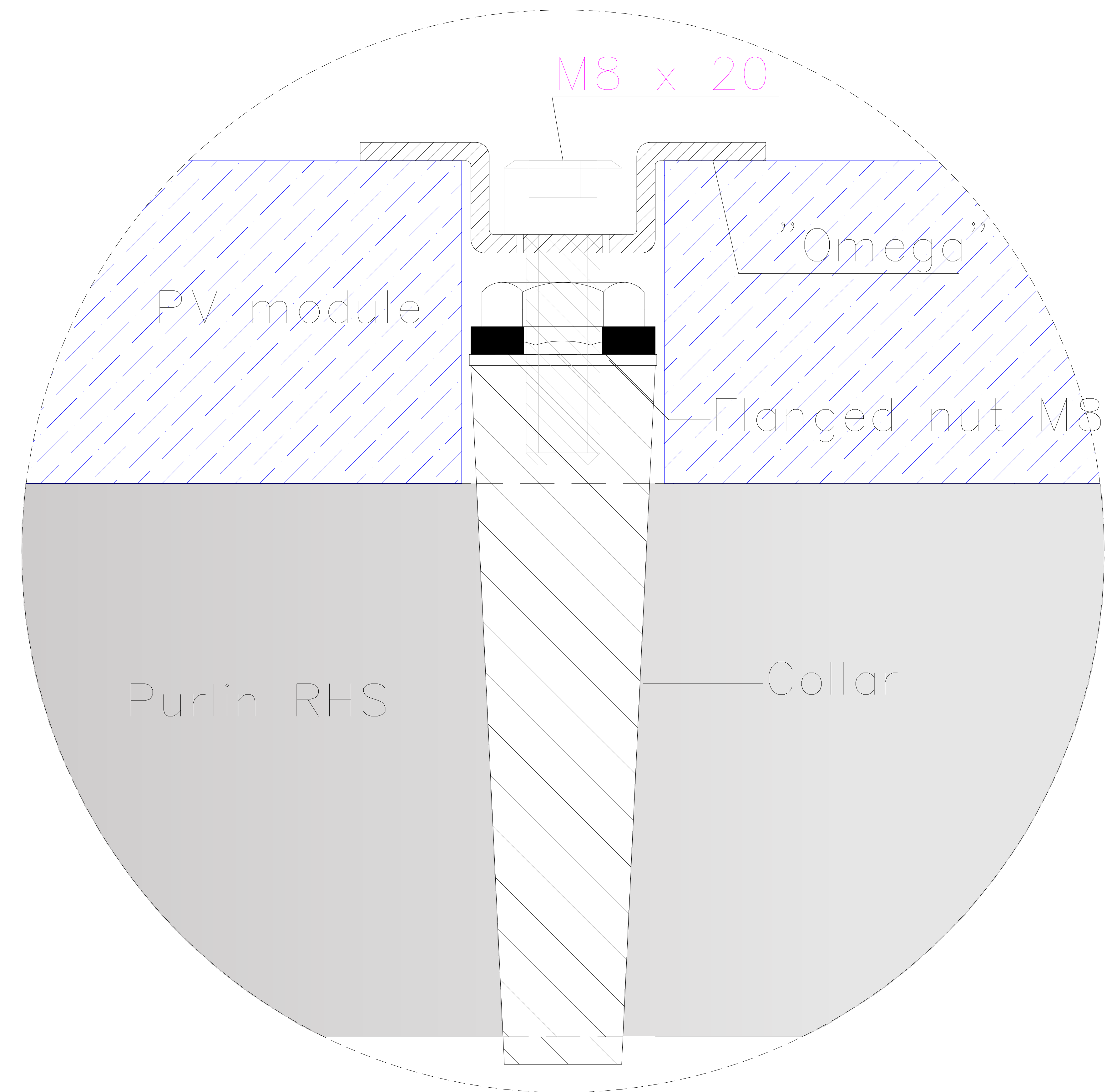
Driving-in the inserts to the ground through guides placed at the base of the frames, using a jack-hammer with SDS-MAX attack for tool, only when all the structure is installed and it has checked that the spirit level giving the transverse orientation of the structure indicates the horizontal.

IN CASE OF DAMAGING OF THE COATING DURING THE INSTALLATION, BE CAREFUL TO REPAIR IT PROMPTLY.

	NAME	DATE	Solelgrossisten Stock order		
DRAWN	G.S.	11/10/2023			
CHECKED			TITLE Anchoring the structure to the ground.		
 TreeSystem s.r.l. Via Moraro n°22, 35020, Pozzonovo (PD) Tel/fax +390429773082			SIZE	DWG N°:	REV
			SCALE:	WEIGHT:	SHEET



DETAIL "D"



PERMITTED TIGHTENING TORQUE OF MAX 10 Nm (to be verified with the prescriptions of the module manufacturer).



	NAME	DATE		
DRAWN	G.S.	11/10/2023	Solelgrossisten Stock order	
CHECKED				
			TITLE Fastening for photovoltaic modules.	
SIZE	DWG N°:		11	REV
SCALE:	WEIGHT:	SHEET		



TreeSystem s.r.l.
Via Moraro n°22, 35020, Pozzonovo (PD)
Tel/fax +390429773082

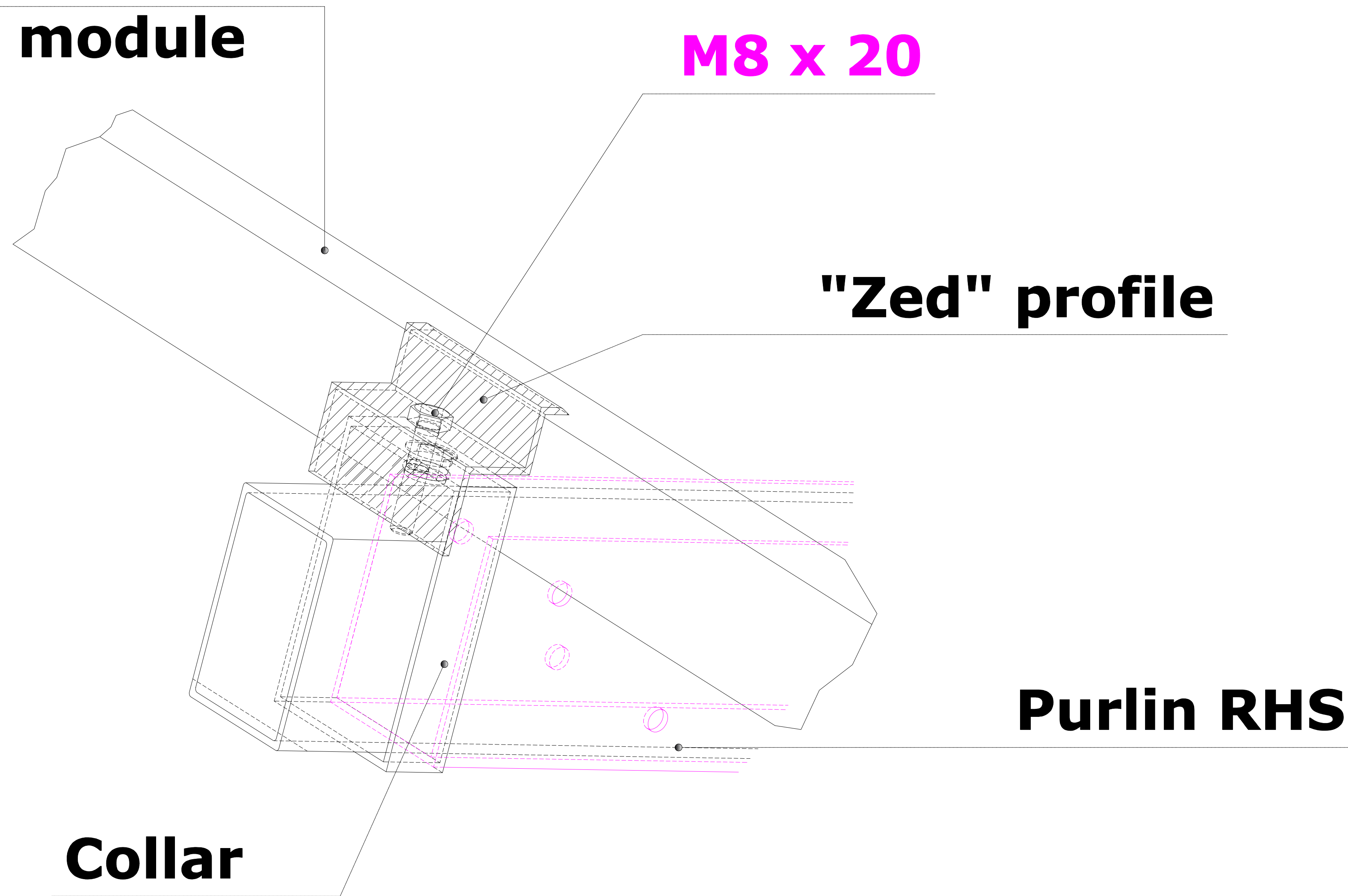
Abutment of the module

M8 x 20

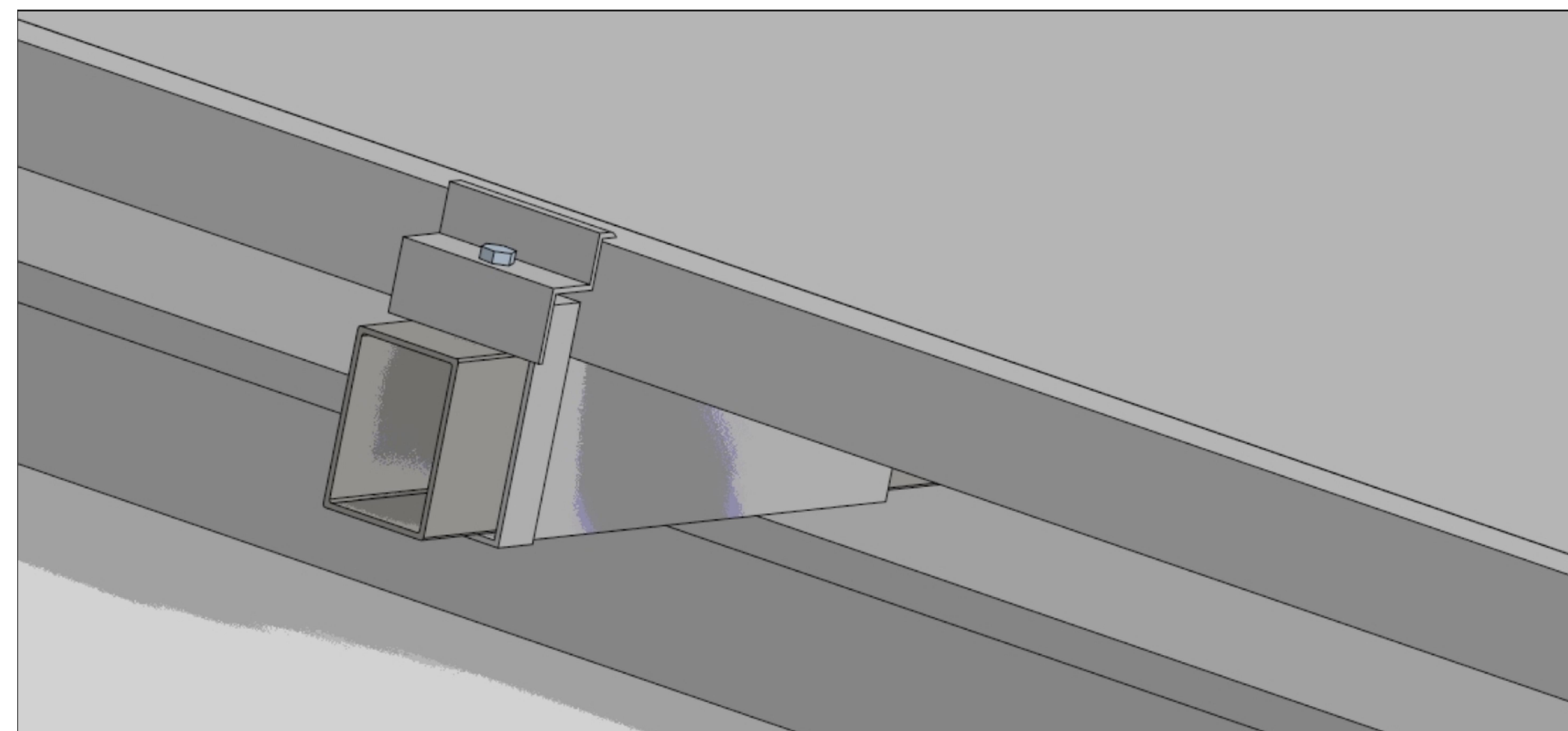
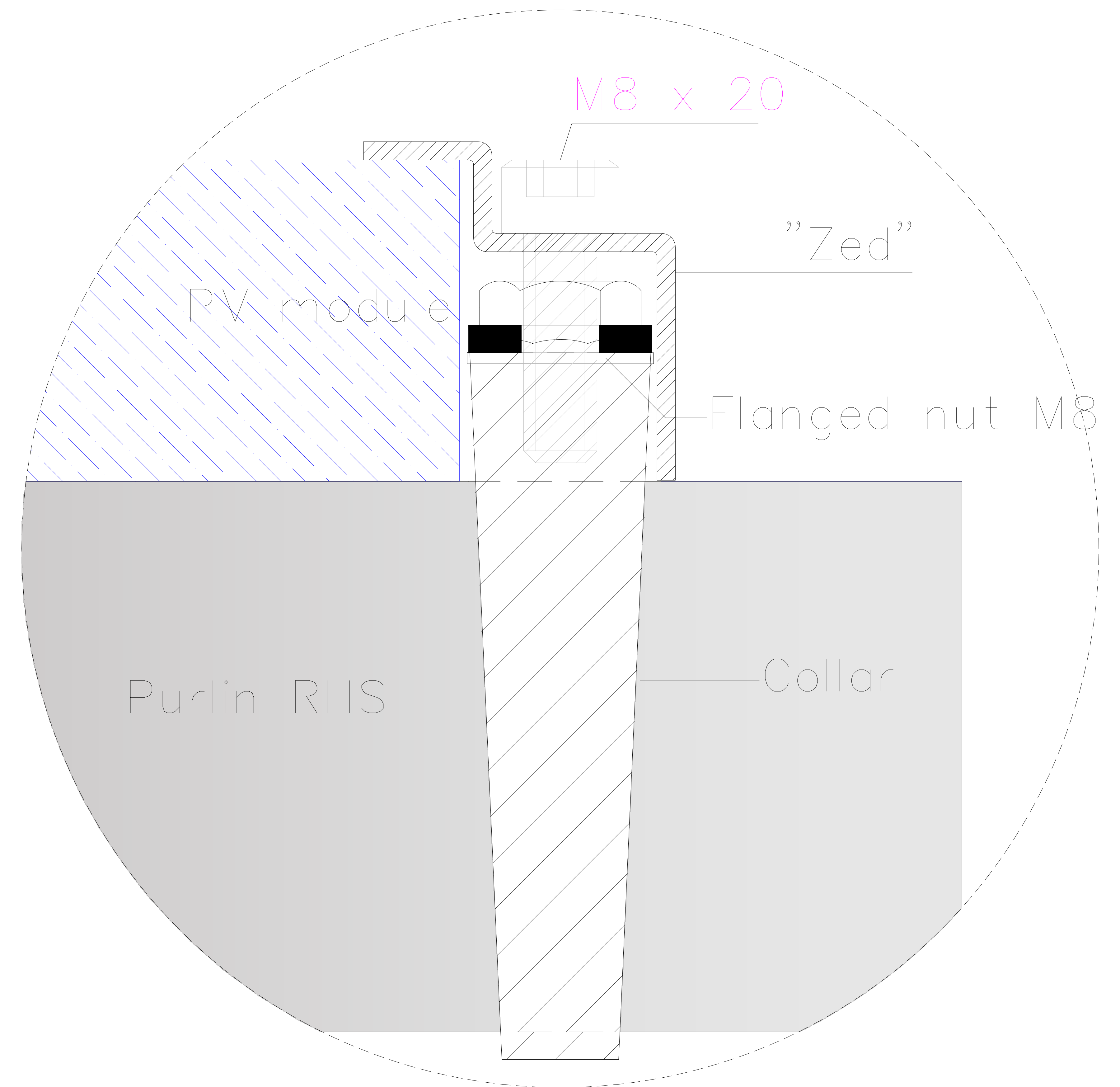
"Zed" profile

Purlin RHS

Collar



DETAIL "E"



PERMITTED TIGHTENING TORQUE OF MAX 10 Nm (to be verified with the prescriptions of the module manufacturer).



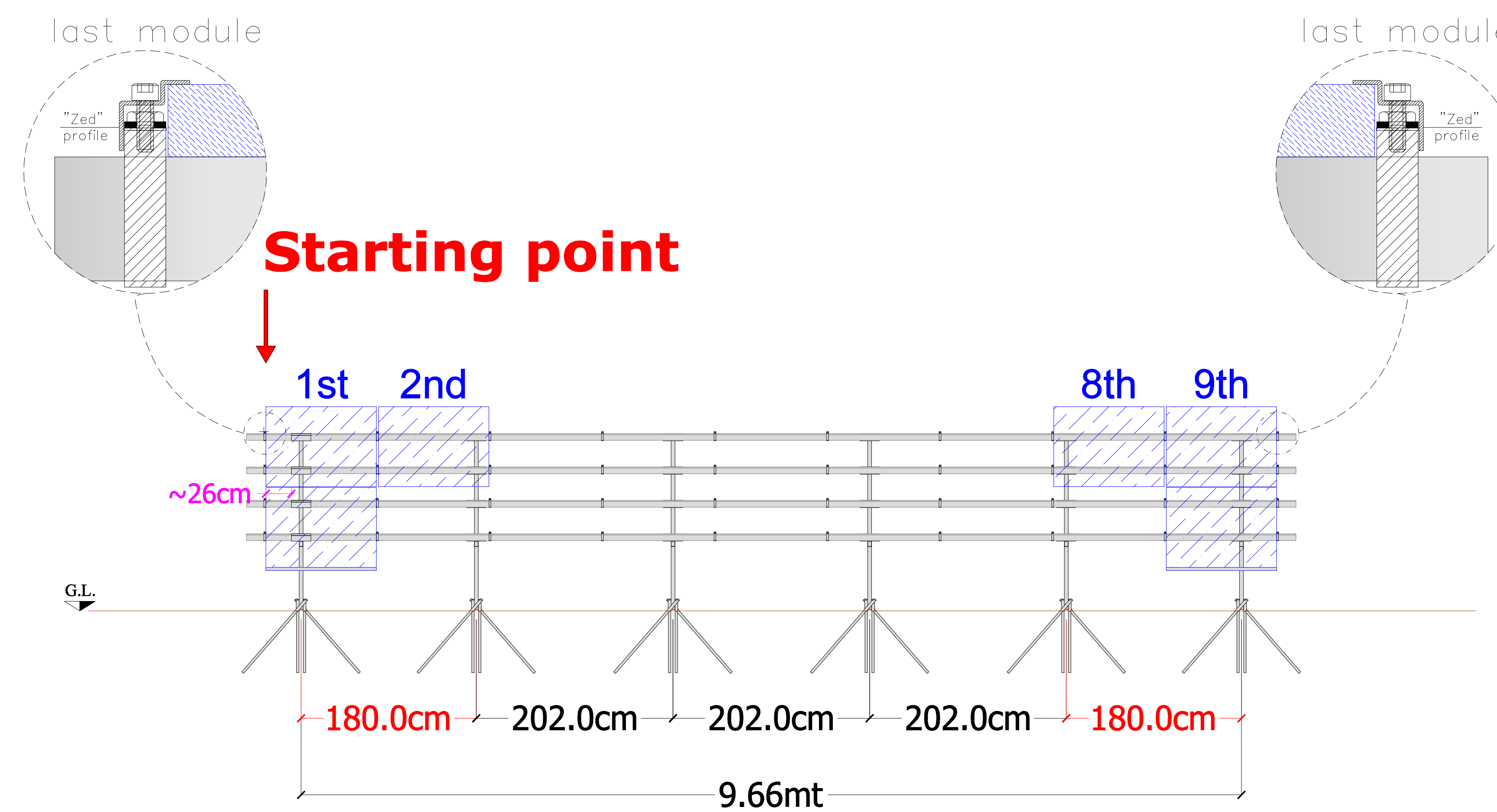
NAME	DATE	Solelgrossisten Stock order	
DRAWN	G.S.	11/10/2023	
CHECKED			
TITLE		Fastening for photovoltaic modules.	
SIZE	DWG N°:	12	REV
SCALE:	WEIGHT:	SHEET	



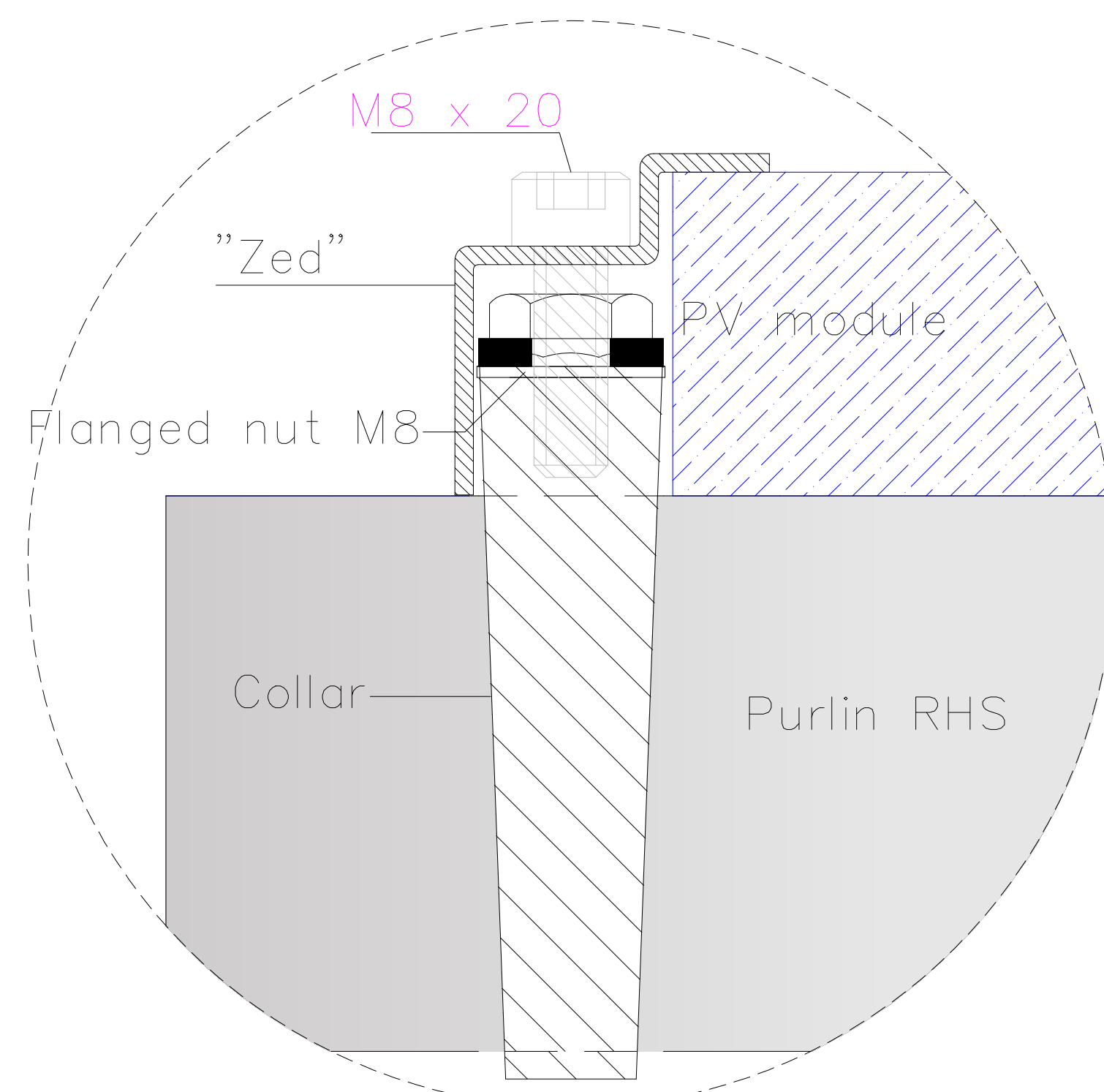
TreeSystem s.r.l.
Via Moraro n°22, 35020, Pozzonovo (PD)
Tel/fax +390429773082

Tipology of rack: 9+9

Starting point: for a correct installation of PV modules, you should start from the red point, keeping the first PV module of the row at about **26cm** from the left edge of the "U" profile welded on the first framework and going ahead to the right, as illustrated.



DETAIL "E"

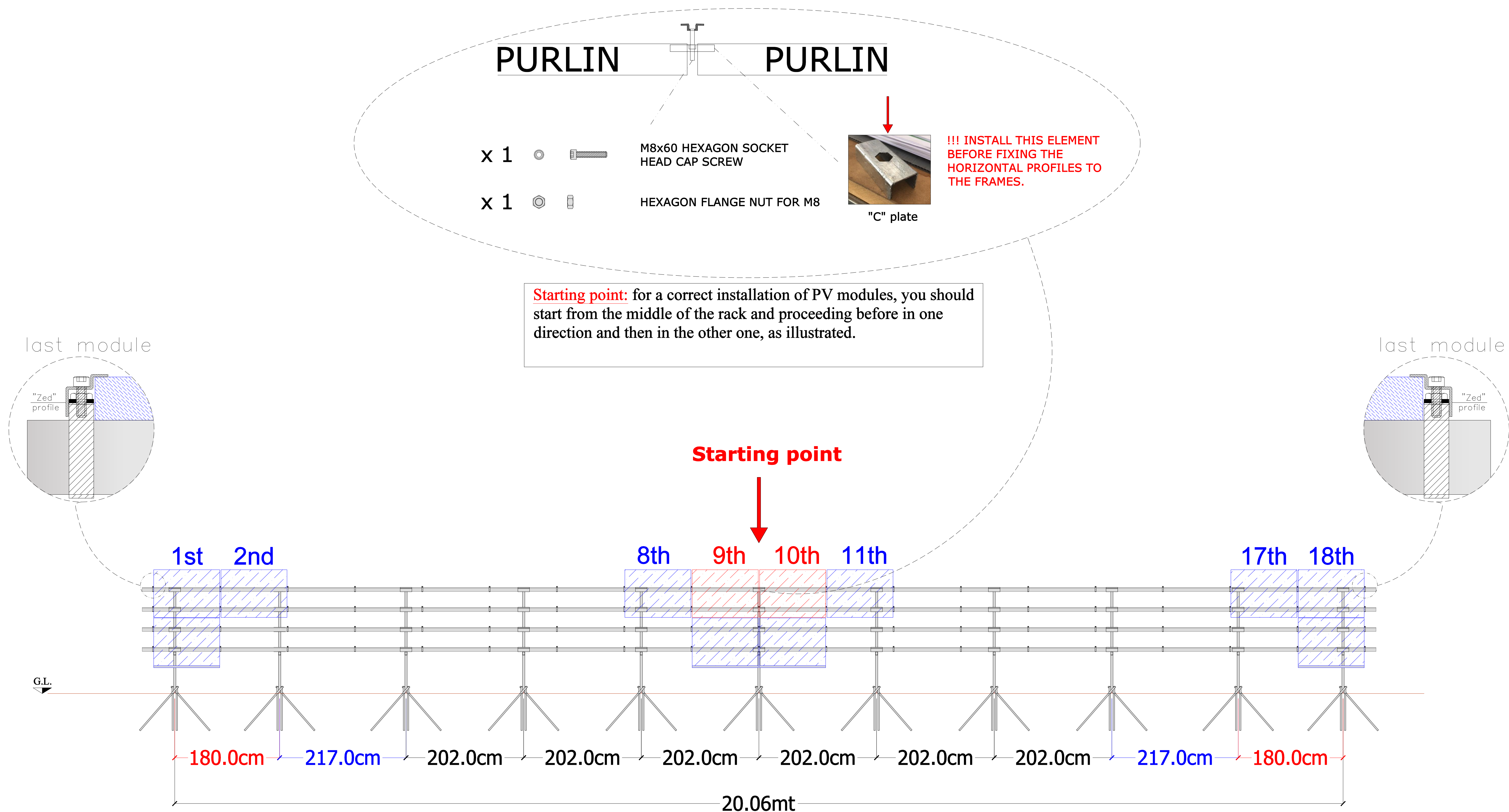


PERMITTED TIGHTENING TORQUE OF MAX 10 Nm (to be verified with the prescriptions of the module manufacturer).

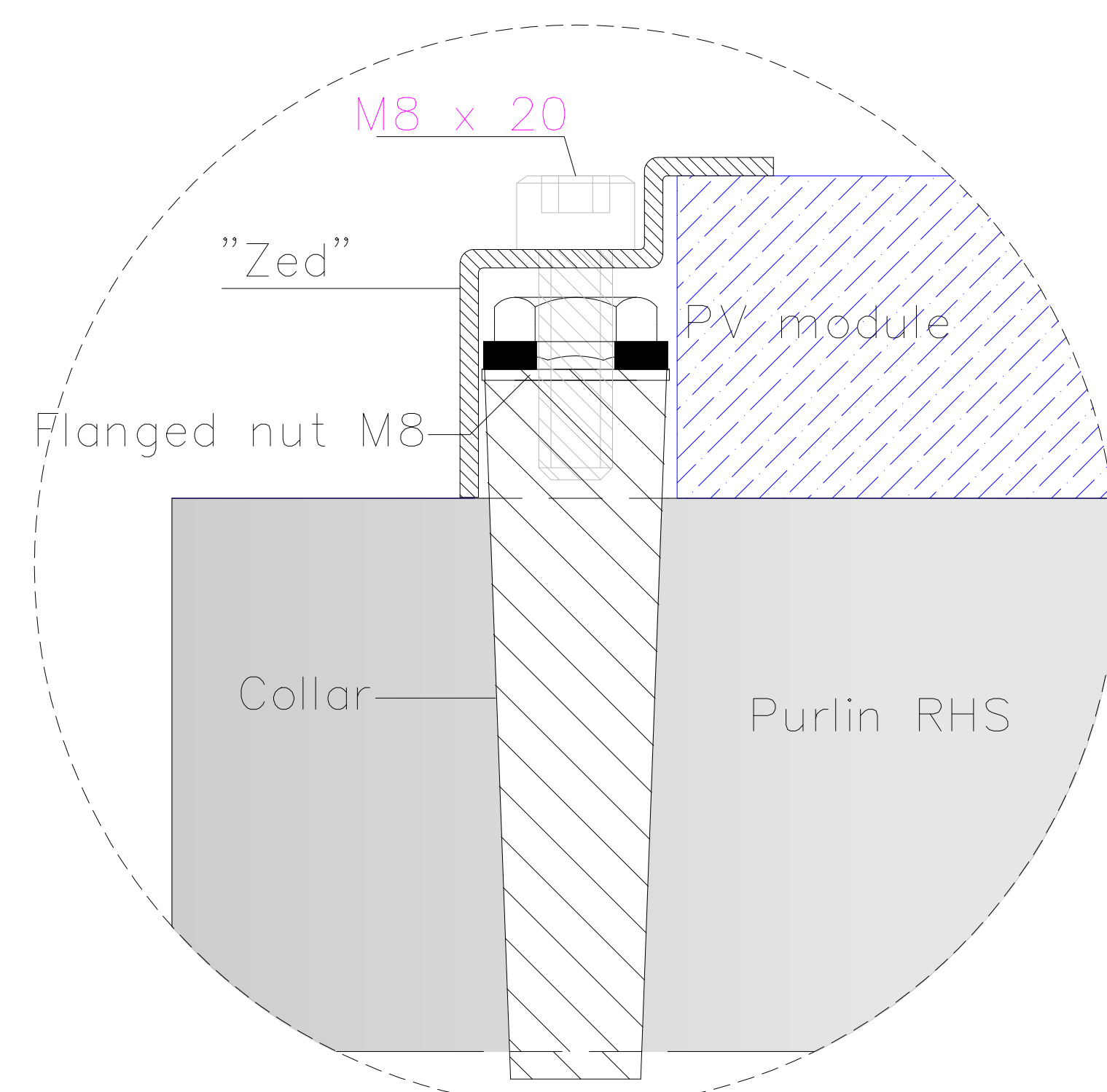
	NAME	DATE			
DRAWN	G.S.	11/10/2023	Solelgrossisten Stock order		
CHECKED					
			TITLE Fastening for photovoltaic modules.		
			SIZE	DWG N°: 12	REV
			SCALE:	WEIGHT:	SHEET

TREE SYSTEM
TreeSystem s.r.l.
 Via Moraro n°22, 35020, Pozzonovo (PD)
 Tel/fax +390429773082

Tipology of rack: 18+18



DETAIL "E"



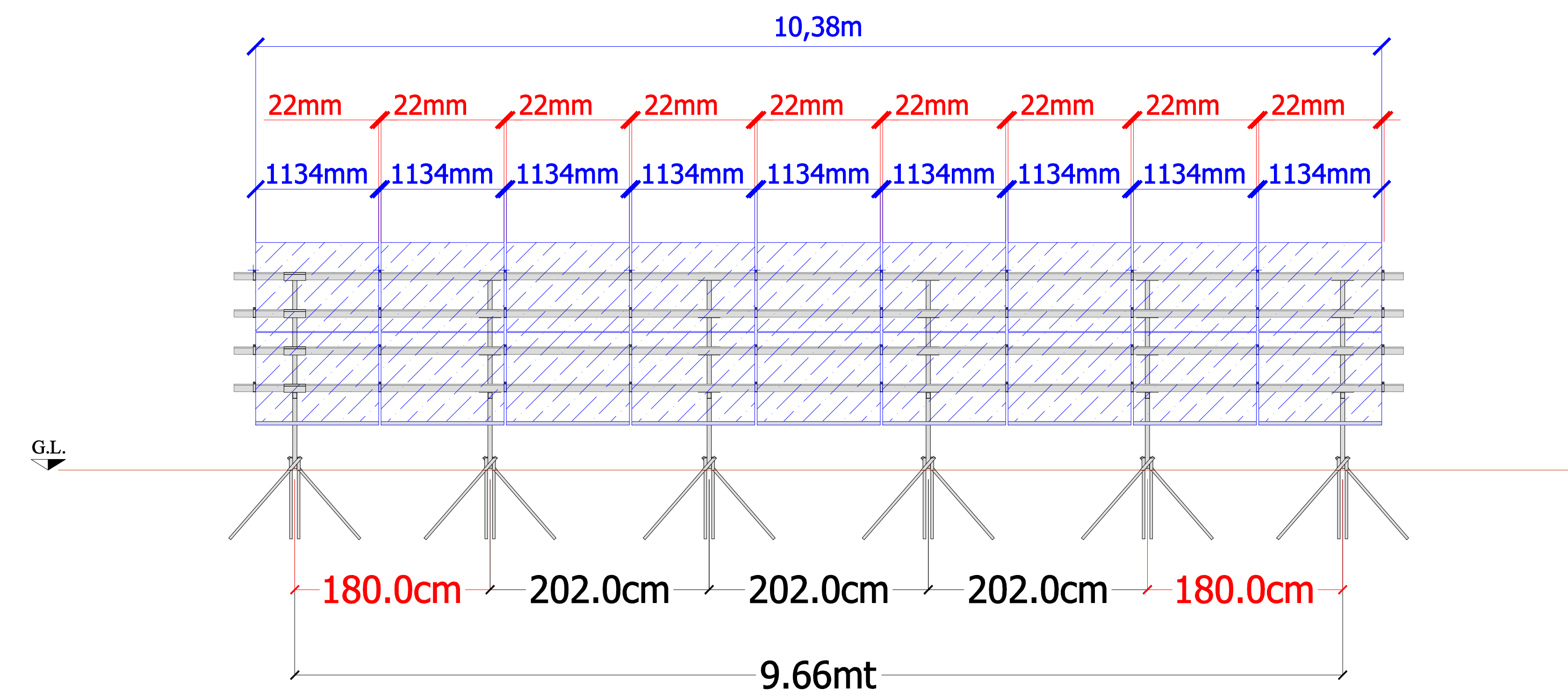
PERMITTED TIGHTENING TORQUE OF MAX 10 Nm (to be verified with the prescriptions of the module manufacturer).

	NAME	DATE		
DRAWN	G.S.	11/10/2023	Solelgrossisten Stock order	
CHECKED				
TITLE			Fastening for photovoltaic modules.	
SIZE	DWG N°:	13	REV	
SCALE:	WEIGHT:	SHEET		



TreeSystem s.r.l.
Via Moraro n°22, 35020, Pozzonovo (PD)
Tel/fax +390429773082

Tipology of rack: 9+9



DRAWN	NAME	DATE	TITLE	
CHECKED	G.S.	11/10/2023	Solelgrossisten Stock order	
			Final result.	
			SIZE	DWG N°: 14
			SCALE:	WEIGHT: SHEET



TreeSystem s.r.l.
Via Moraro n°22, 35020, Pozzonovo (PD)
Tel/fax +390429773082

