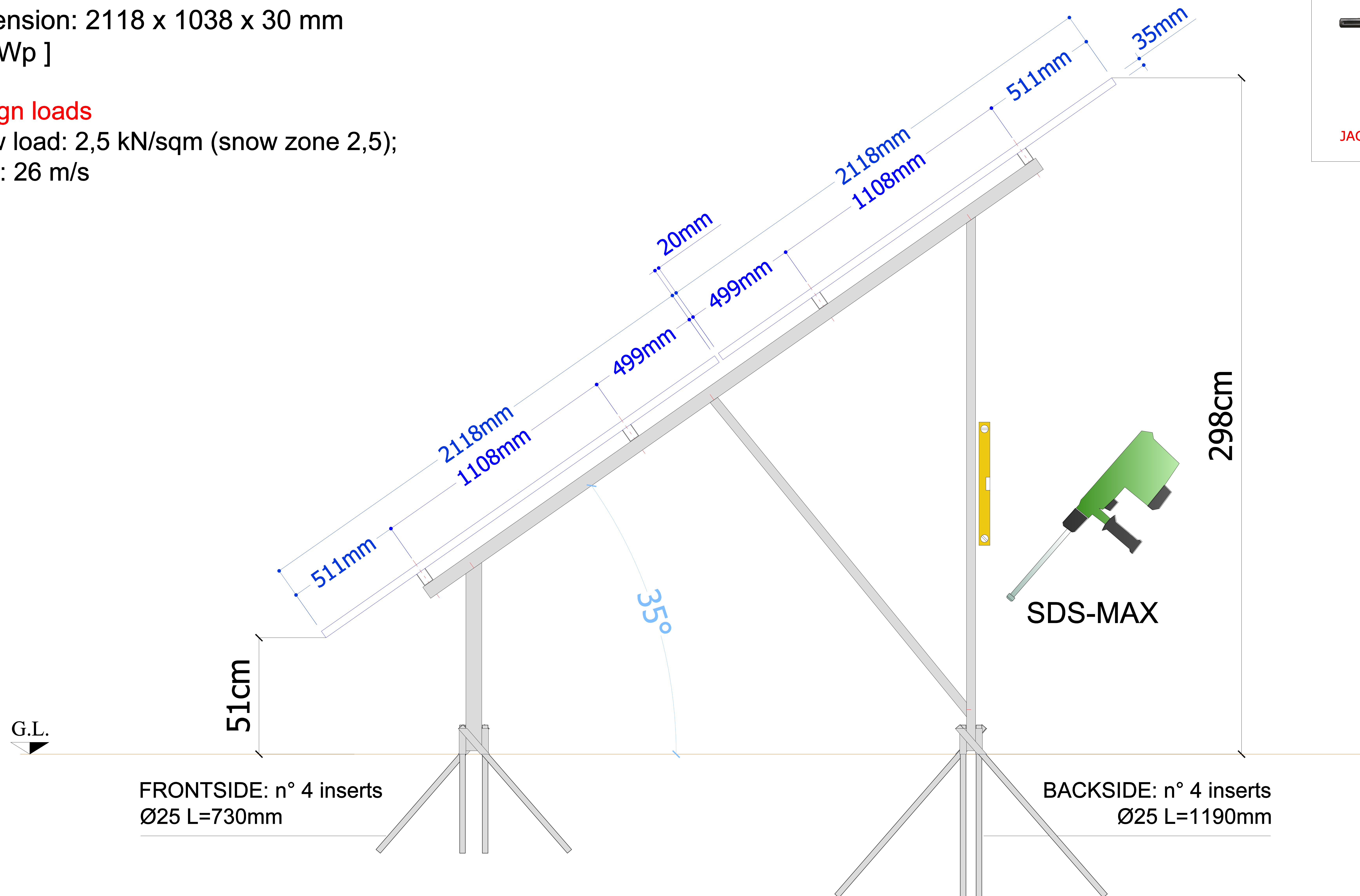


Dimension: 2118 x 1038 x 30 mm
[440Wp]

Design loads

snow load: 2,5 kN/sqm (snow zone 2,5);
wind: 26 m/s

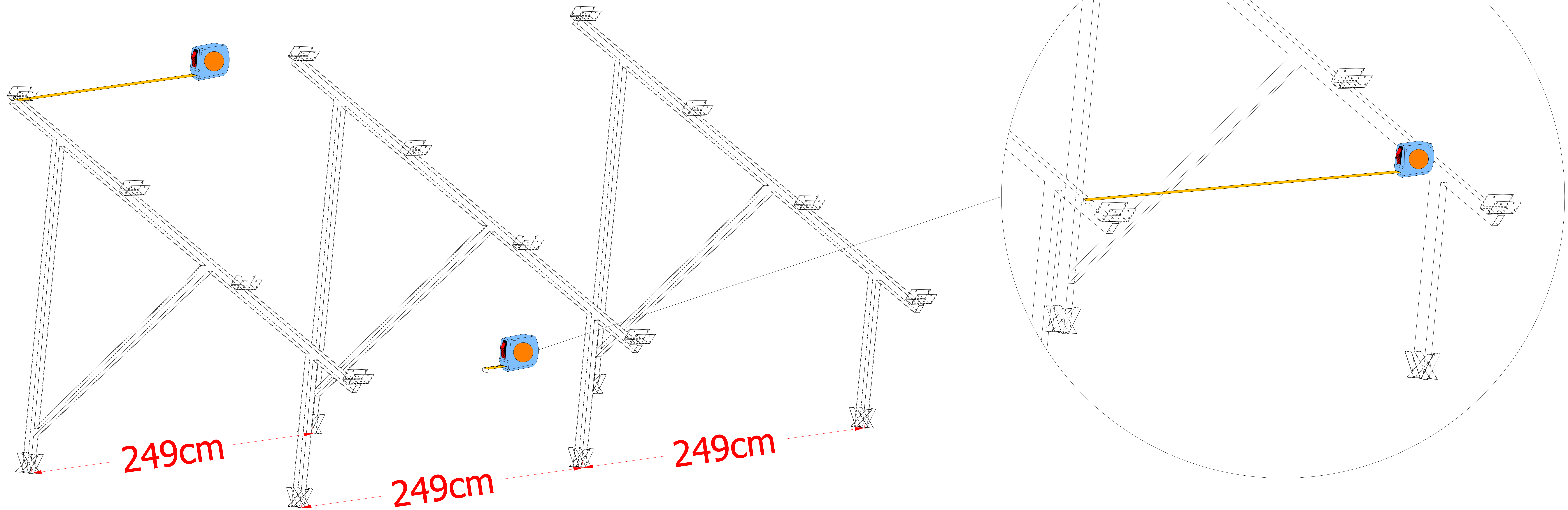


Driving-in the inserts to the ground through guides placed at the base of the frames, using a jack-hammer with SDS-MAX tool tip or a common hammer, only when all the structure is installed and it has checked that the spirit level giving the transverse orientation of the structure indicates the horizontal.

	NAME	DATE		
DRAWN	S.J	29/11/2021	Solelgrossisten Stock4	
CHECKED				
			TITLE	
			"Tree System" Anchoring.	
SIZE	DWG N°:		1	REV
SCALE:	WEIGHT:	SHEET		



TreeSystem s.r.l.
Via Moraro n°22, 35020, Pozzonovo (PD)
Tel/fax +390429773082

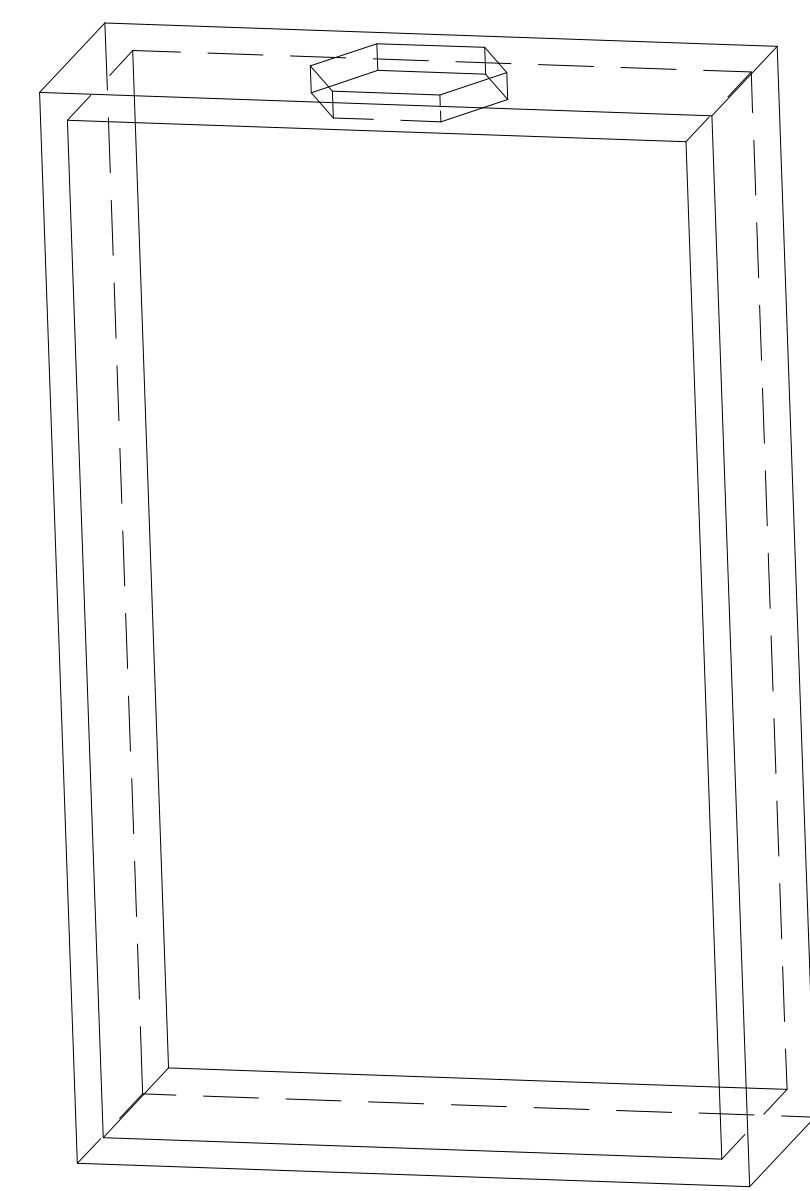


To find the exact spacing between the frames (**249 or 217cm**) you can use two tape-measures placed one on the front side and the other one on the back side of the frames. To plot the alignment of the rack, just place a picket at the beginning and end of each one, positioned on the back side of the frame (at the bottom of the back pillar) and pull a builder line that will determine the correct alignment.

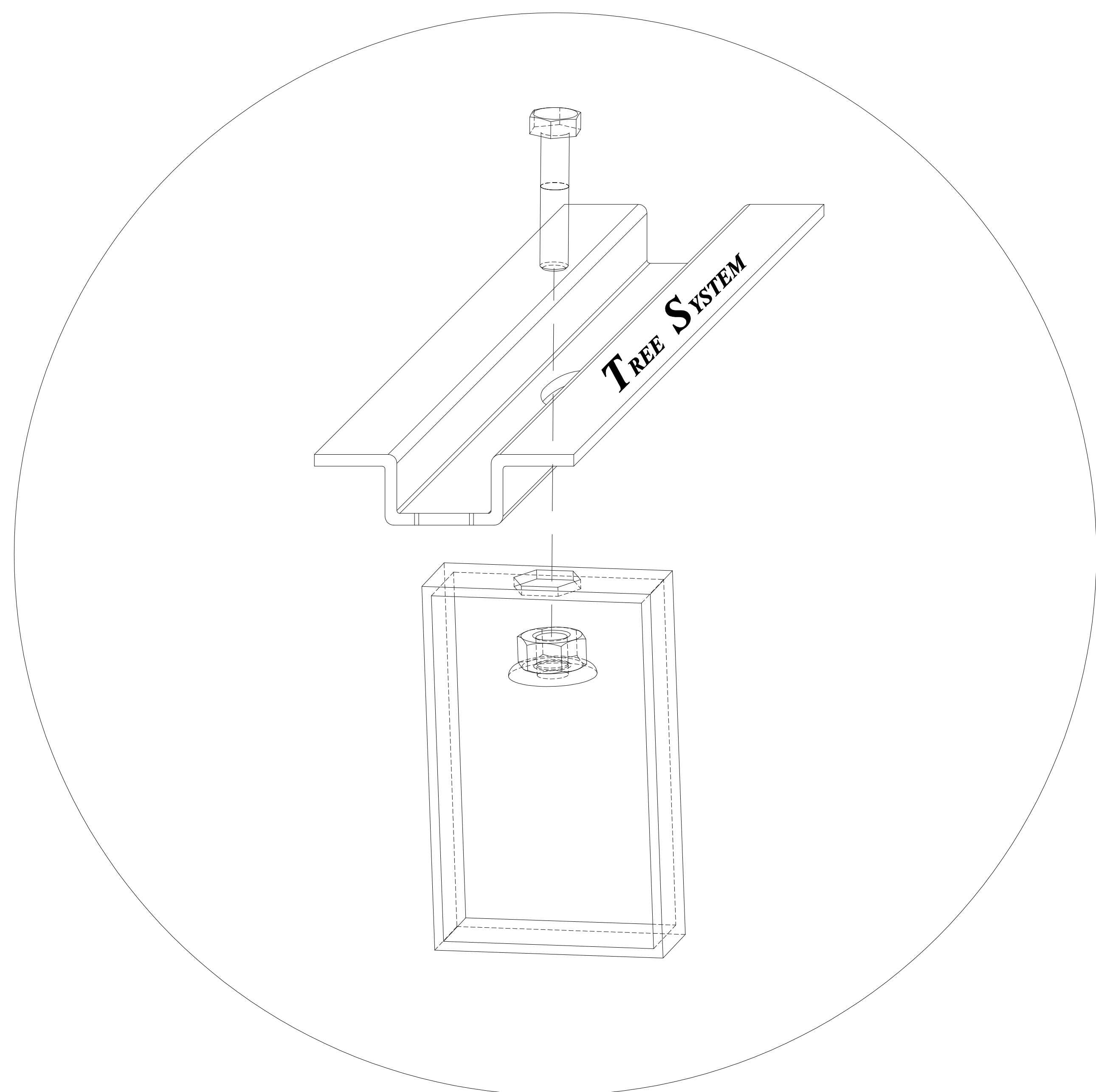
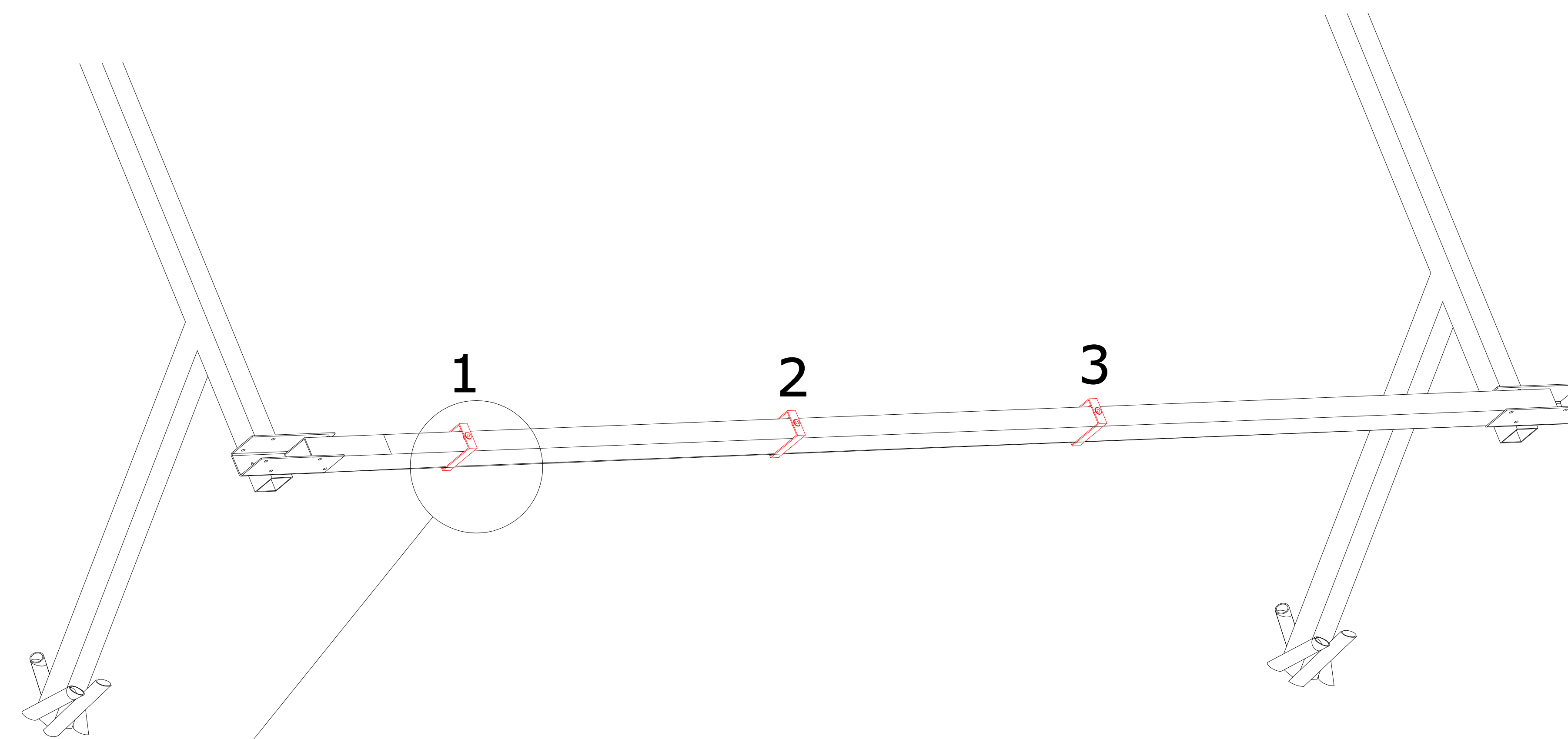
		NAME	DATE		
DRAWN		S.J	29/11/2021	Solelgrossisten Stock4	
CHECKED					
				TITLE Spacing between the frameworks.	
SIZE		DWG N°: 2		REV	
SCALE:		WEIGHT:		SHEET	



TreeSystem s.r.l.
Via Moraro n°22, 35020, Pozzonovo (PD)
Tel/fax +390429773082



Collar



The "collars" to fix the modules must be inserted before fixing the horizontal beams to the frames: you have to insert **no. 2 or 3** collars for each span, while for the cantilevers it's sufficient **1** collar, as shown below.

	NAME	DATE		
DRAWN	S.J	29/11/2021	Solelgrossisten Stock4	
CHECKED				
			TITLE	
			Insertion collars to fasten PV modules.	
SIZE	DWG N°: 3		REV	
SCALE:	WEIGHT:	SHEET		



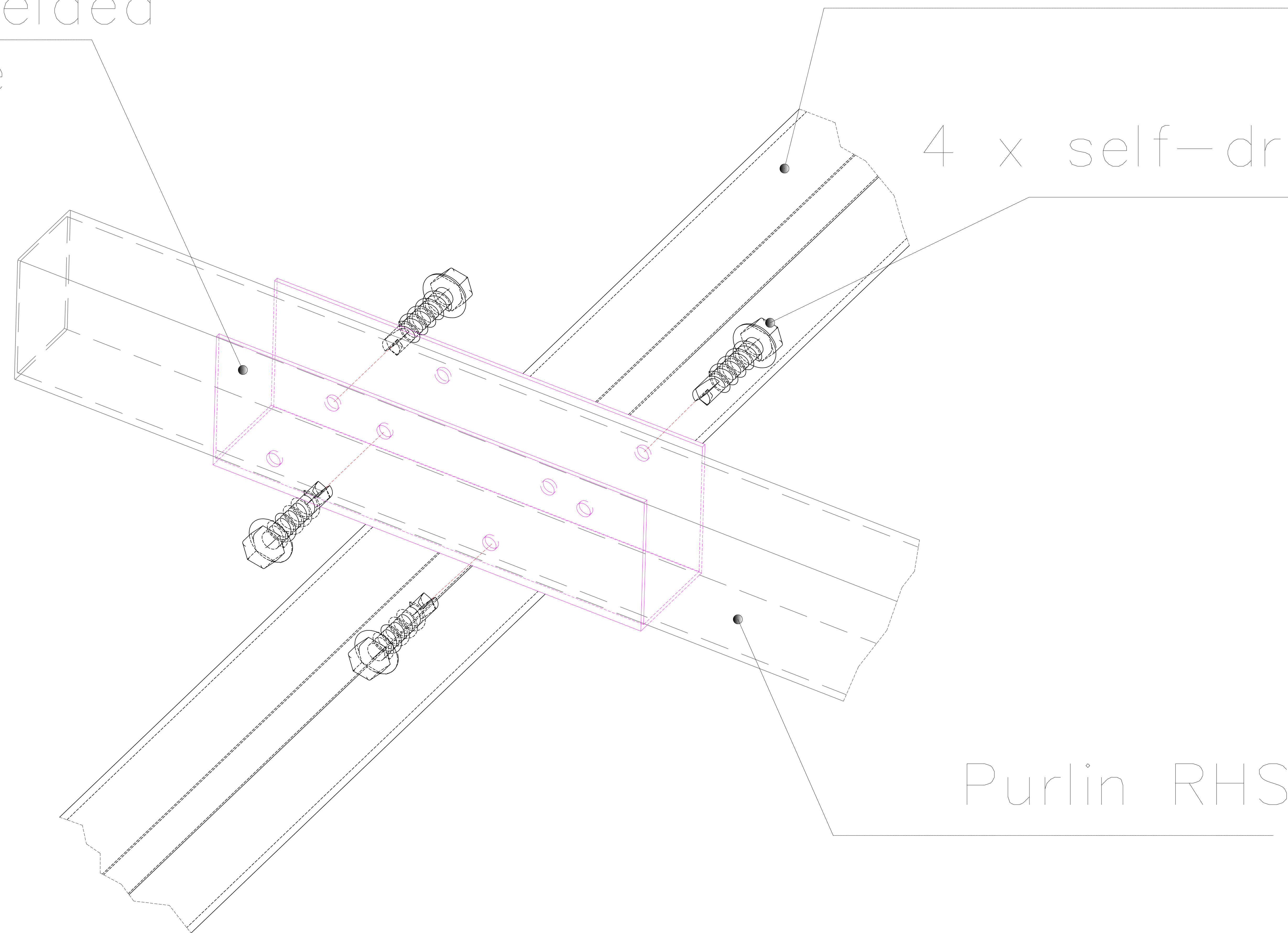
TreeSystem s.r.l.
Via Moraro n°22, 35020, Pozzonovo (PD)
Tel/fax +390429773082

DETAIL "A": INITIAL POSITIONS

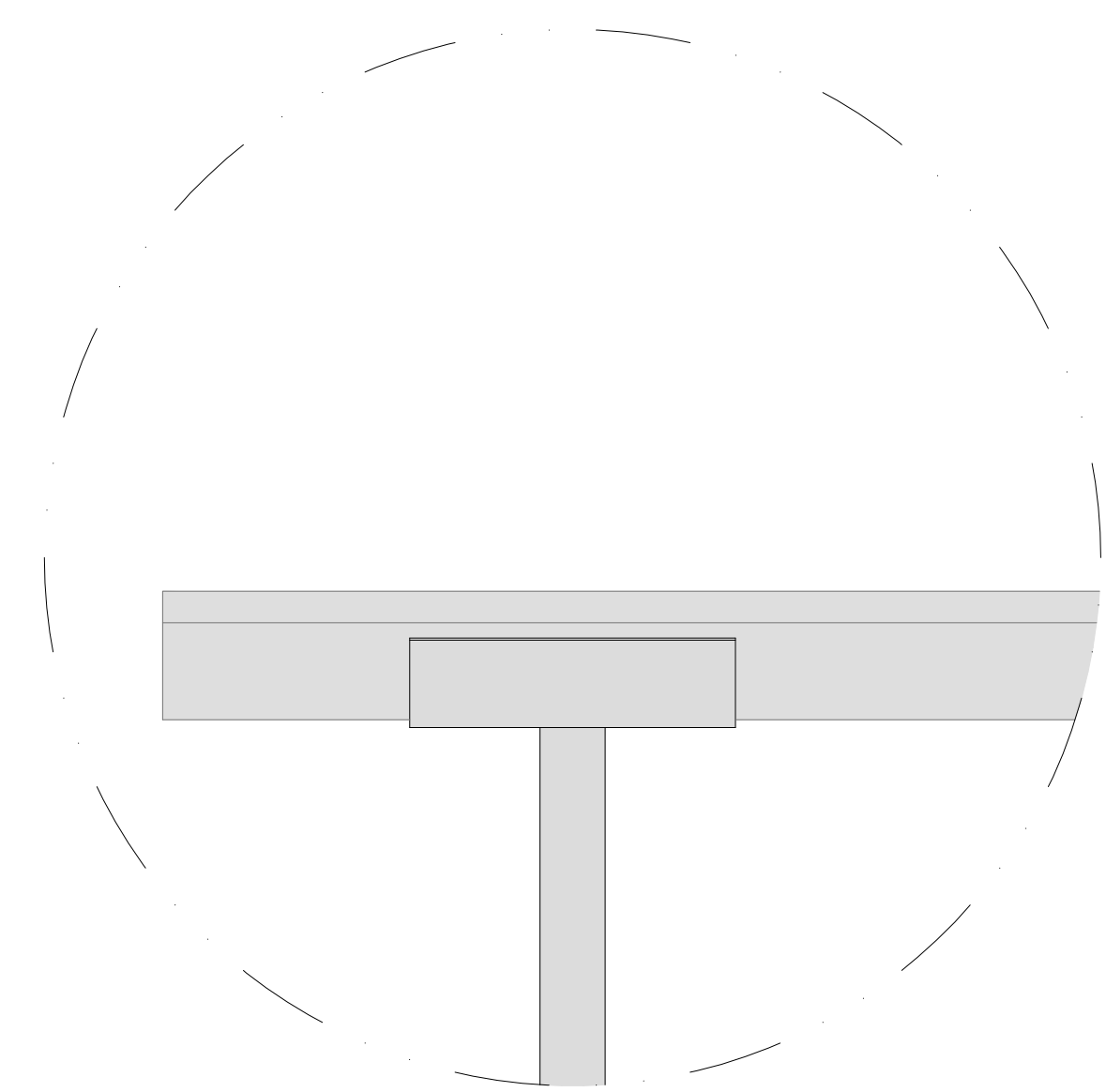
"U" profile welded to the frame

Frame RHS

4 x self-drilling screws



A



Purlin RHS

PERMITTED TIGHTENING TORQUE OF MAX 7-8 Nm.



	NAME	DATE		
DRAWN	S.J	29/11/2021	Solelgrossisten Stock4	
CHECKED				
			TITLE Fastening horizontal profiles to the frames.	
SIZE	DWG N°: 4		REV	
SCALE:	WEIGHT:	SHEET		



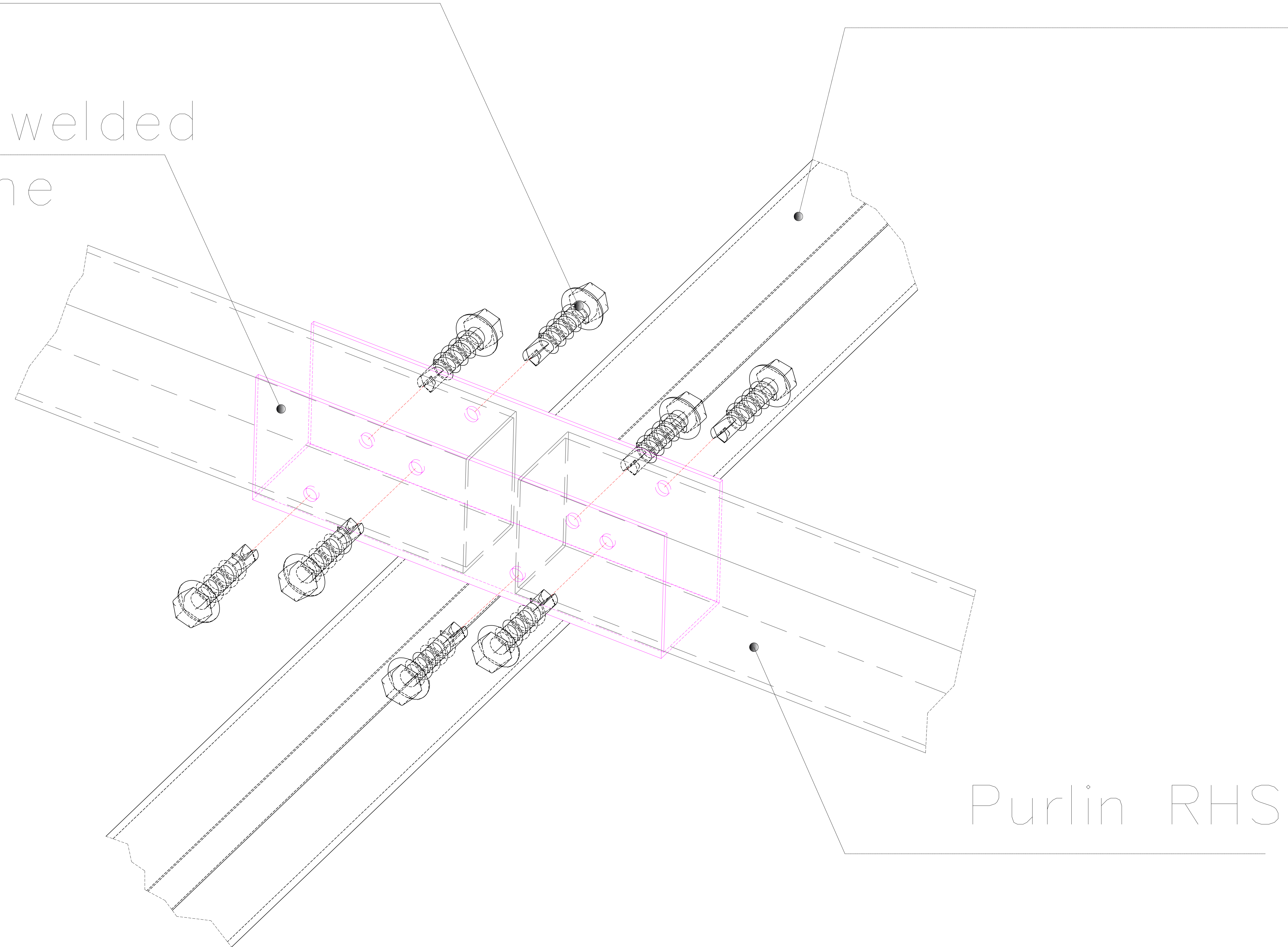
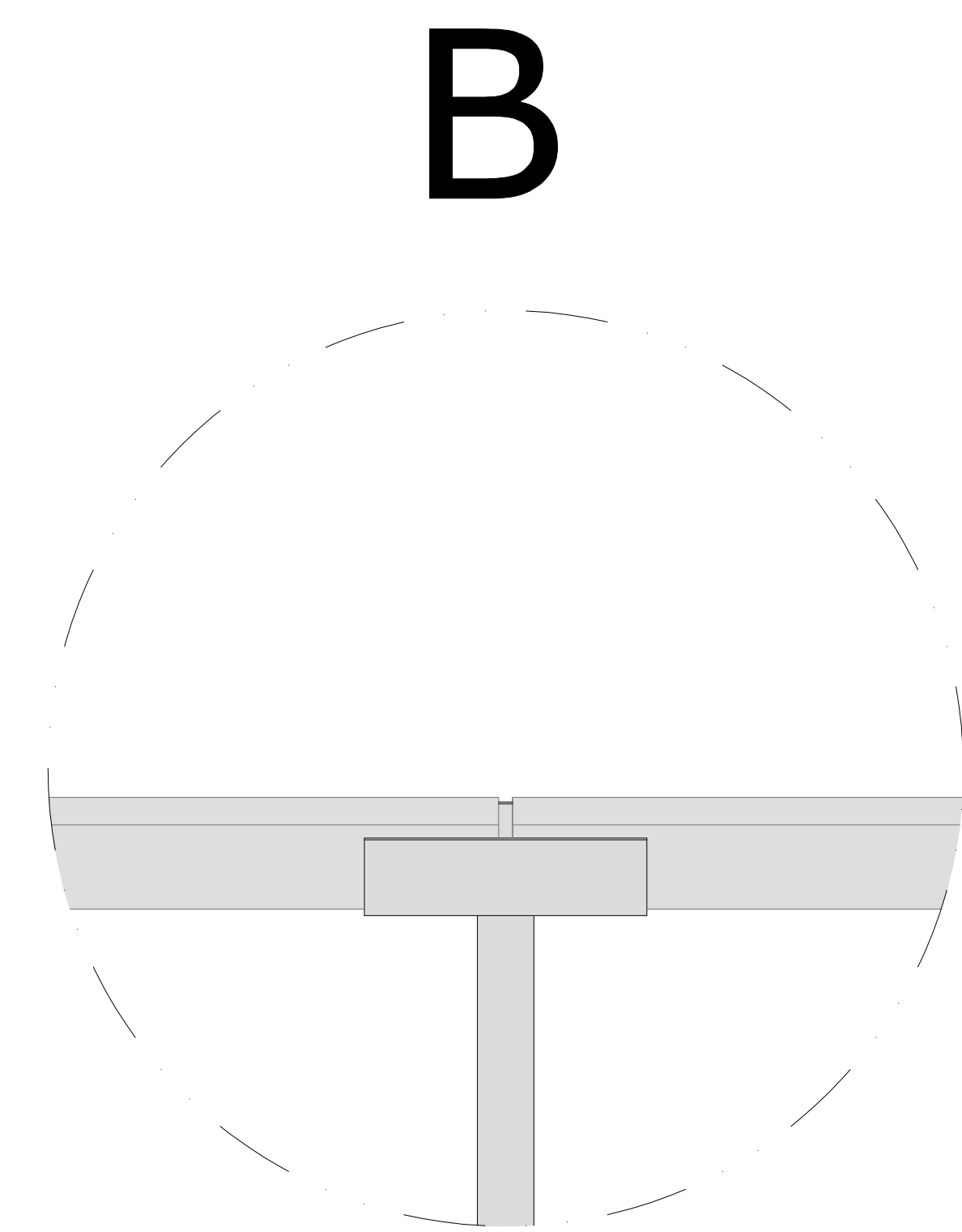
TreeSystem s.r.l.
Via Moraro n°22, 35020, Pozzonovo (PD)
Tel/fax +390429773082

DETAIL "B": TÊTE-à-TÊTE POSITIONS

8 x self-drilling screws

Frame RHS

"U" profile welded to the frame



PERMITTED TIGHTENING TORQUE OF MAX 7-8 Nm.



DRAWN	NAME	DATE	Solelgrossisten Stock4		
CHECKED	S.J	29/11/2021	TITLE Fastening horizontal profiles to the frames.		
			SIZE	DWG N°: 5	REV
			SCALE:	WEIGHT:	SHEET

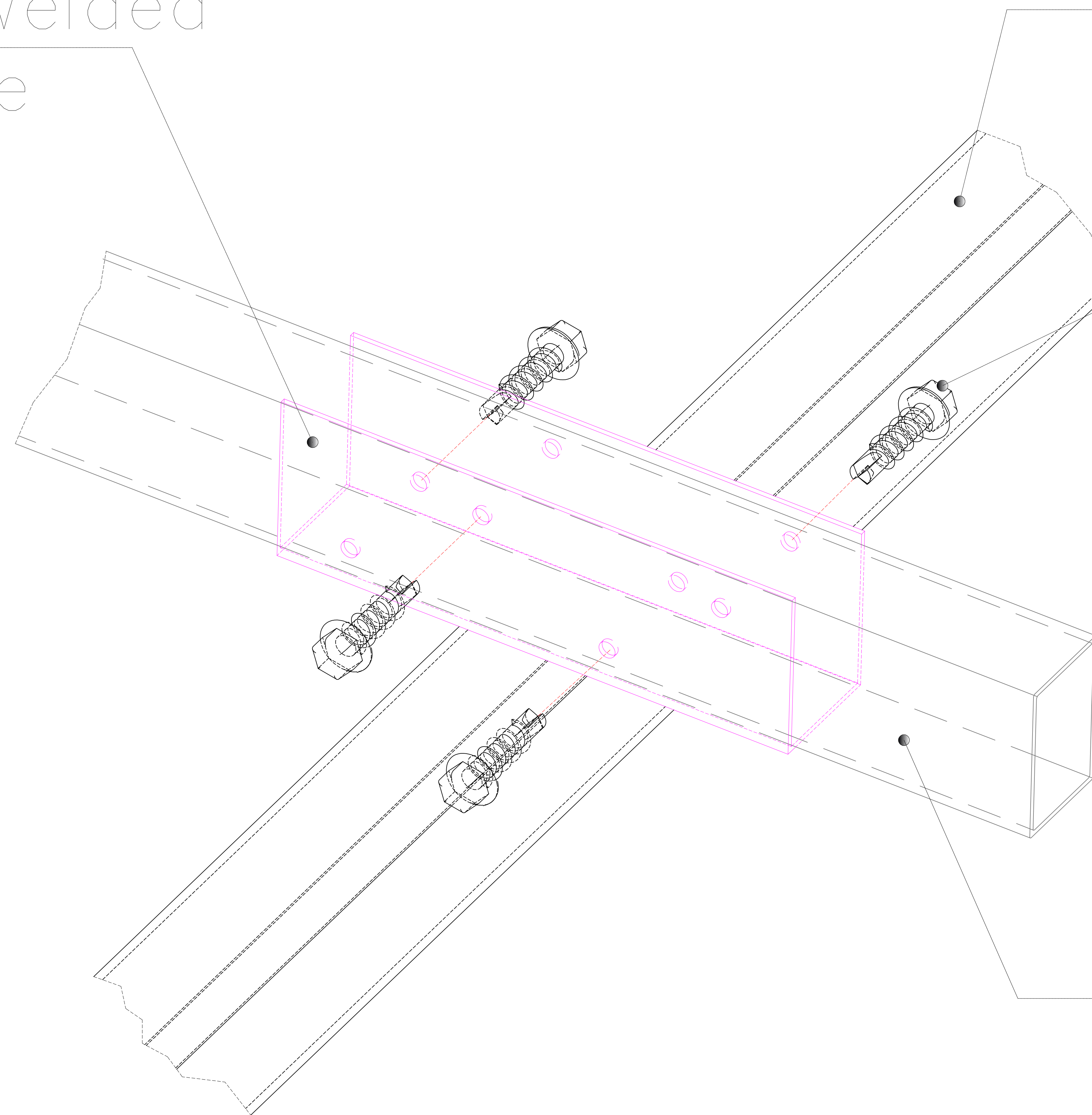
TREE SYSTEM
TreeSystem s.r.l.
 Via Moraro n°22, 35020, Pozzonovo (PD)
 Tel/fax +390429773082

DETAIL "C": FINAL POSITIONS

"U" profile welded to the frame

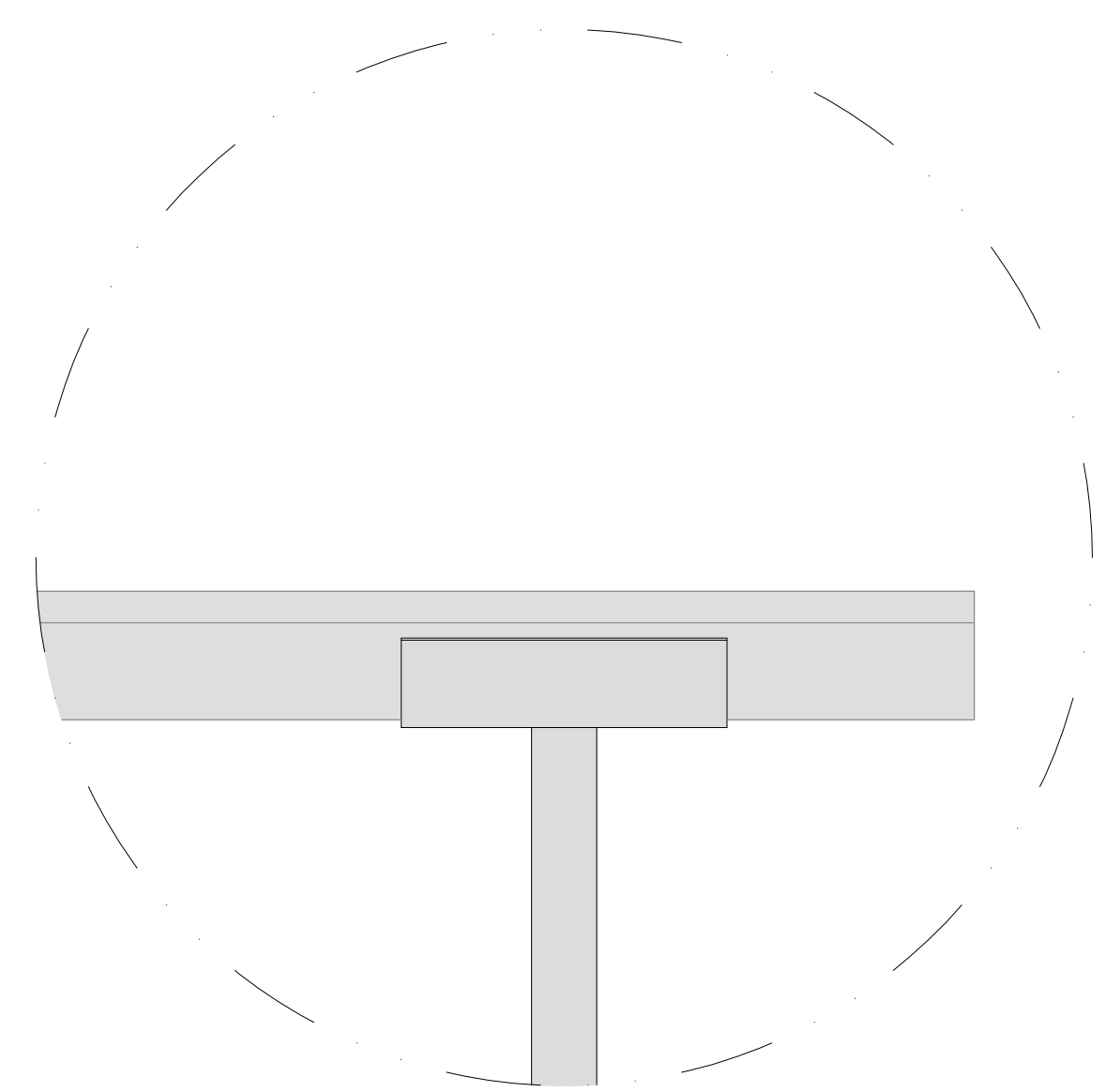
Frame RHS

4 x self-drilling screws



Purlin RHS

C



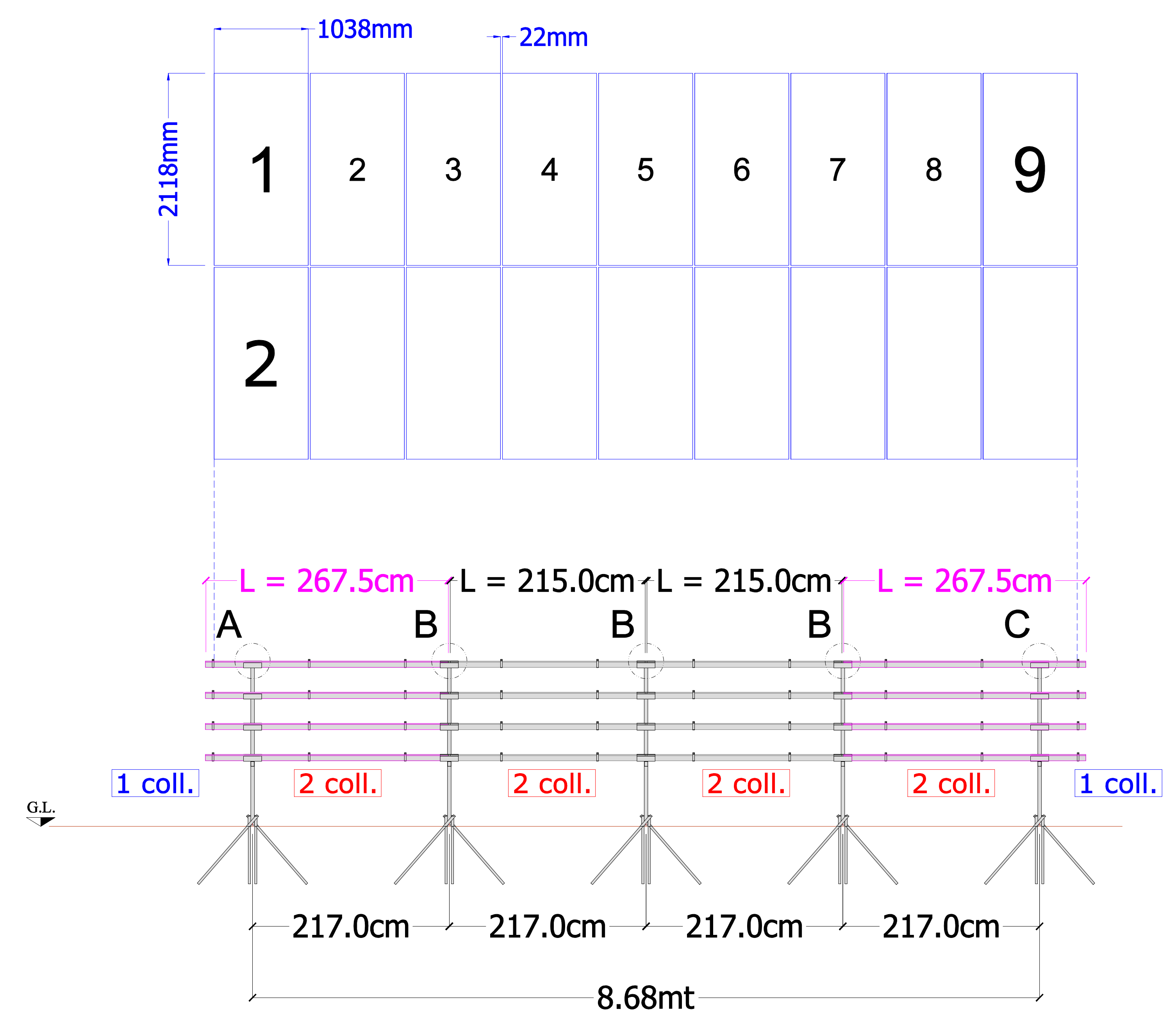
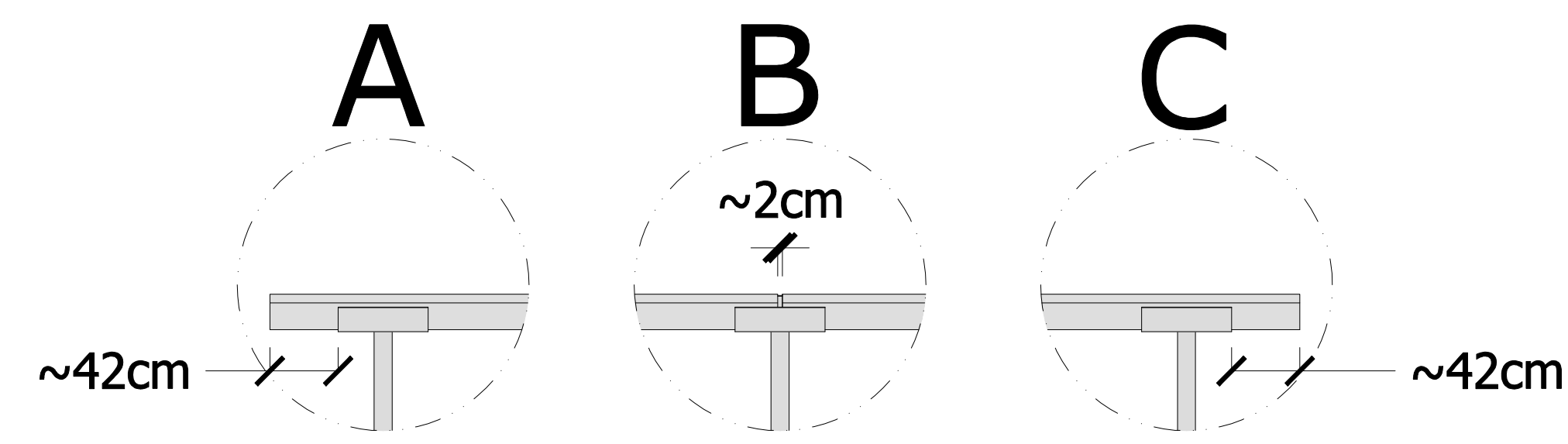
PERMITTED TIGHTENING TORQUE OF MAX 7-8 Nm.



	NAME	DATE	Solelgrossisten Stock4	
DRAWN	S.J	29/11/2021		
CHECKED				
			TITLE Fastening horizontal profiles to the frames.	
SIZE	DWG N°:	6	REV	
SCALE:	WEIGHT:	SHEET		



TreeSystem s.r.l.
Via Moraro n°22, 35020, Pozzonovo (PD)
Tel/fax +390429773082



- For each rack, it is required:
- 5 FRAMEWORKS 35°;
 - 8 PURLINS L=215cm;
 - 8 PURLINS L=267.5cm;
 - 40 COLLARS.
- DO NOT CUT THE HORIZONTAL PROFILES FOR ANY REASONS, SINCE THEY ARE ALREADY CUT ON SIZE.**

Tipology of rack: **9+9**

Complete package with mounting material for ground installation based on 2 rows of 9 solar panels with dimensions 2094 x 1038 x 30 mm. Portrait orientation, 35° tilt.

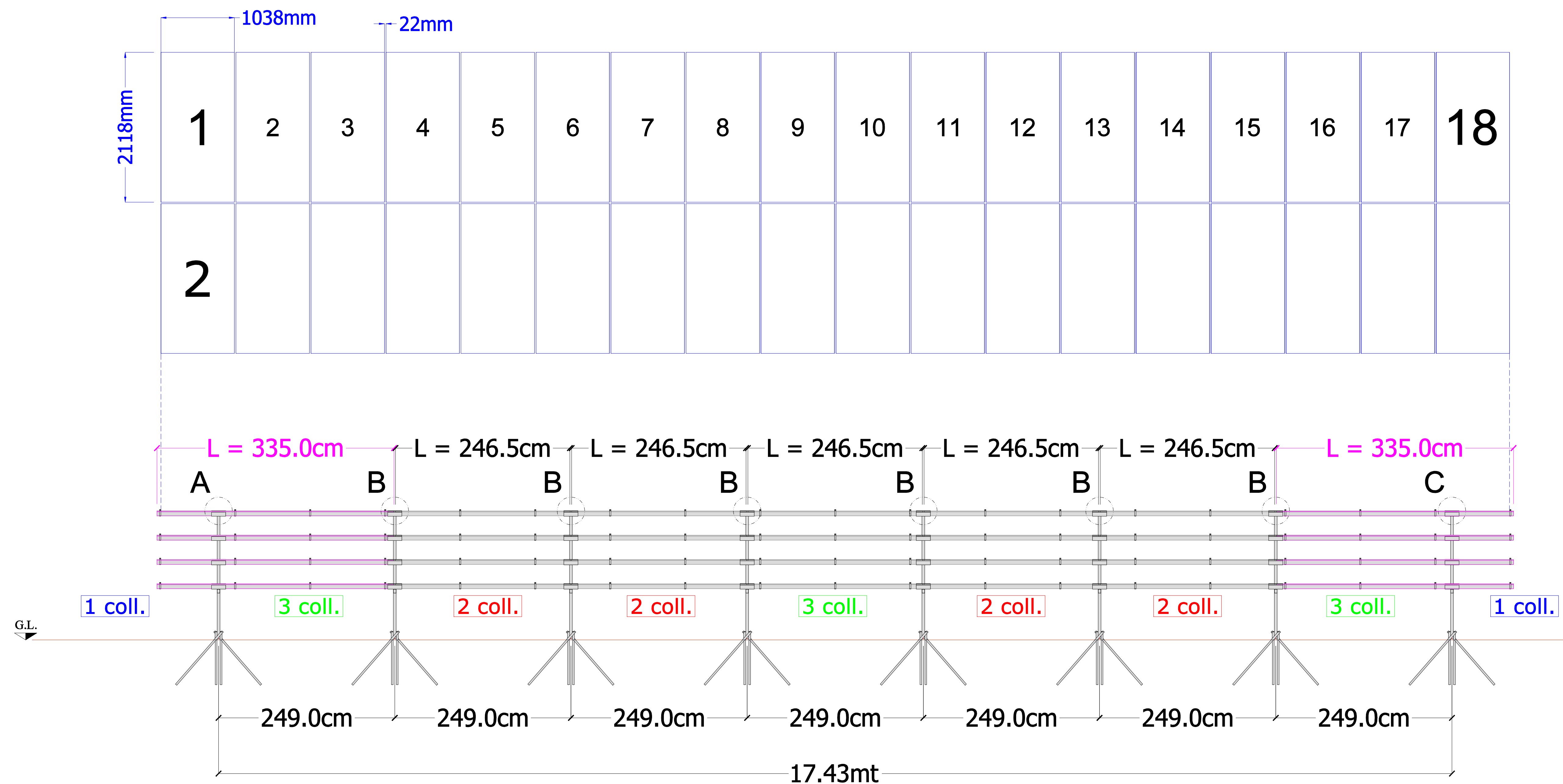
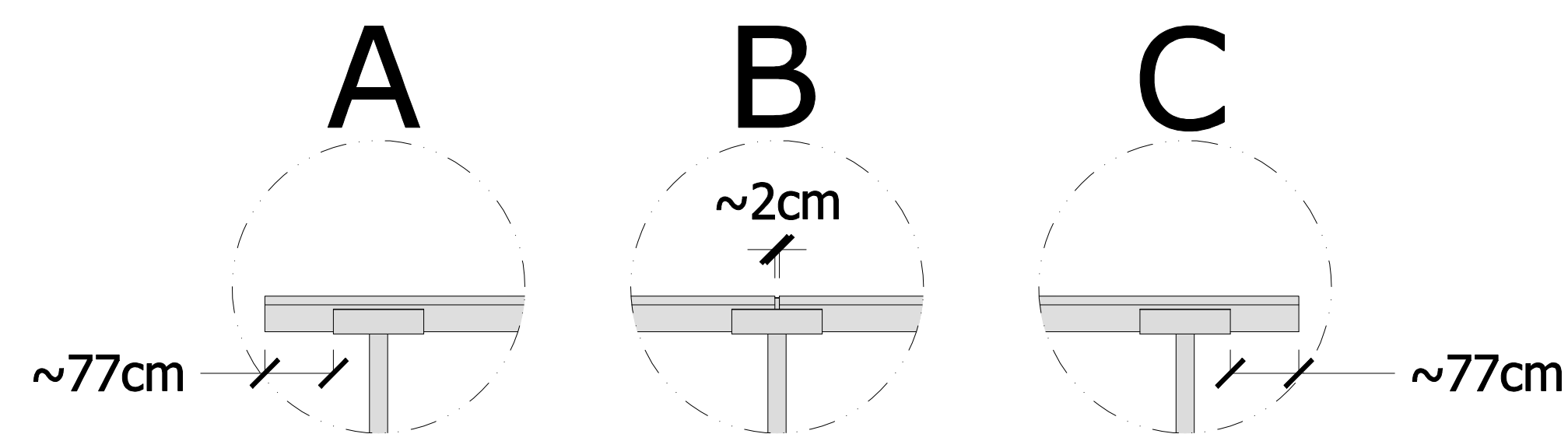
The 2x9 package is based on the ZNSHINE SOLAR 450, 455W which measures 2094mm in height and 1038mm in width.

It is possible to use 72/144 cell panels with height measurements between 1900 - 2200 mm.

It is possible to use 72/144 cell panels with a different width measurement, resulting in fewer panels/row.

	NAME	DATE	Solelgrossisten Stock4		
DRAWN	S.J	29/11/2021			
CHECKED					
			TITLE		
			Layout Racks.		
			SIZE	DWG N°: 7	REV
			SCALE:	WEIGHT:	SHEET





- For each rack, it is required:
- 8 FRAMEWORKS 35°;
 - 20 PURLINS L=246.5cm;
 - 8 PURLINS L=335cm;
 - 76 COLLARS.
- DO NOT CUT THE HORIZONTAL PROFILES FOR ANY REASONS, SINCE THEY ARE ALREADY CUT ON SIZE.**

Tipology of rack: **18+18**

Complete package with mounting material for ground installation based on 2 rows of 18 solar panels with dimensions 2094 x 1038 x 30 mm. Portrait orientation, 35° tilt.

The 2x18 package is based on the ZNSHINE SOLAR 450, 455W which measures 2094mm in height and 1038mm in width.

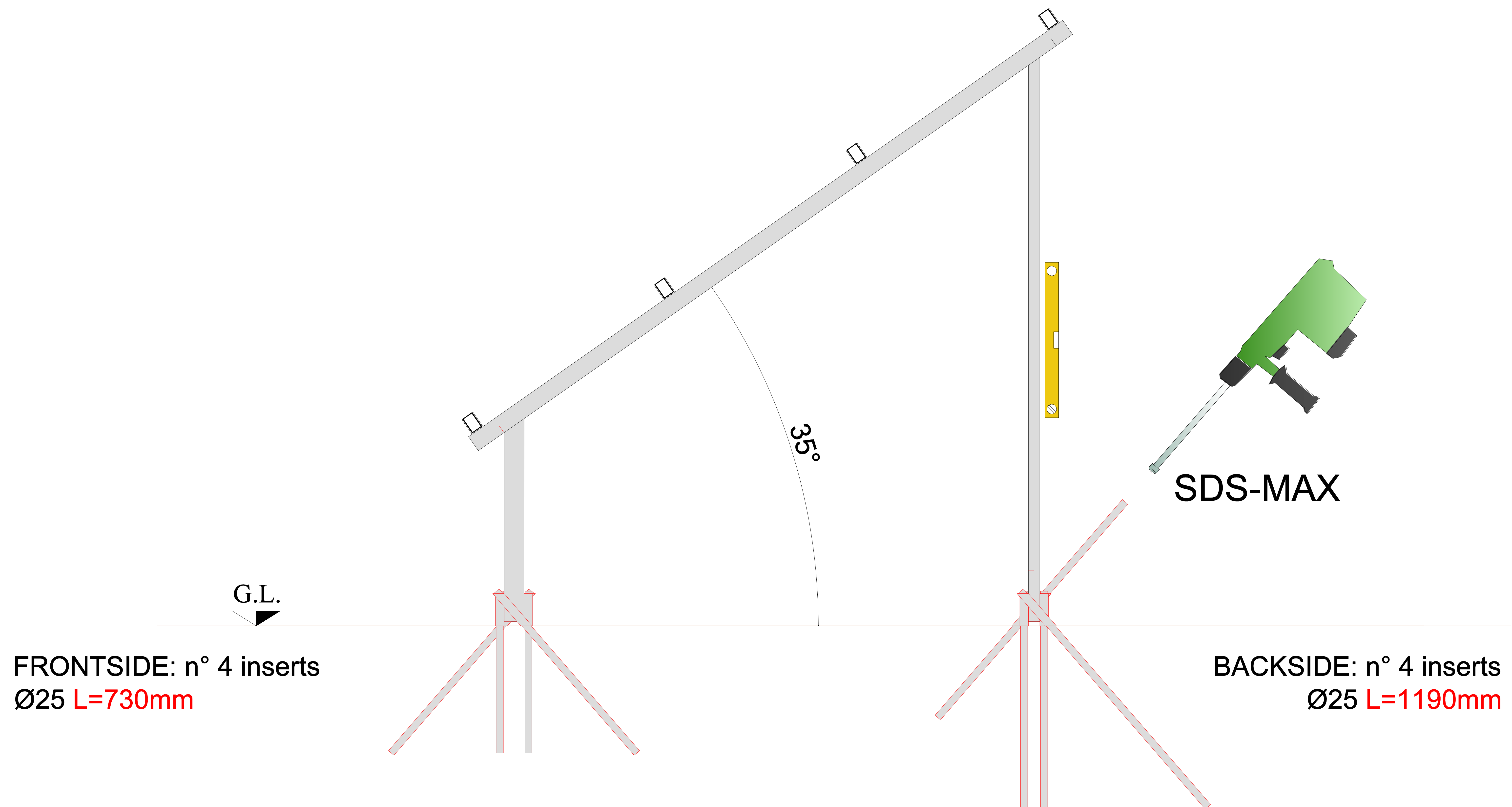
It is possible to use 72/144 cell panels with height measurements between 1900 - 2200 mm.

It is possible to use 72/144 cell panels with a different width measurement, resulting in fewer panels/row.

		NAME	DATE		
DRAWN		S.J	29/11/2021	Solelgrossisten Stock4	
CHECKED					
				TITLE	
				Layout Racks.	
SIZE	DWG N°:		8	REV	
SCALE:	WEIGHT:	SHEET			



PAY ATTENTION TO THE DIFFERENT LENGTH OF THE INSERTS.



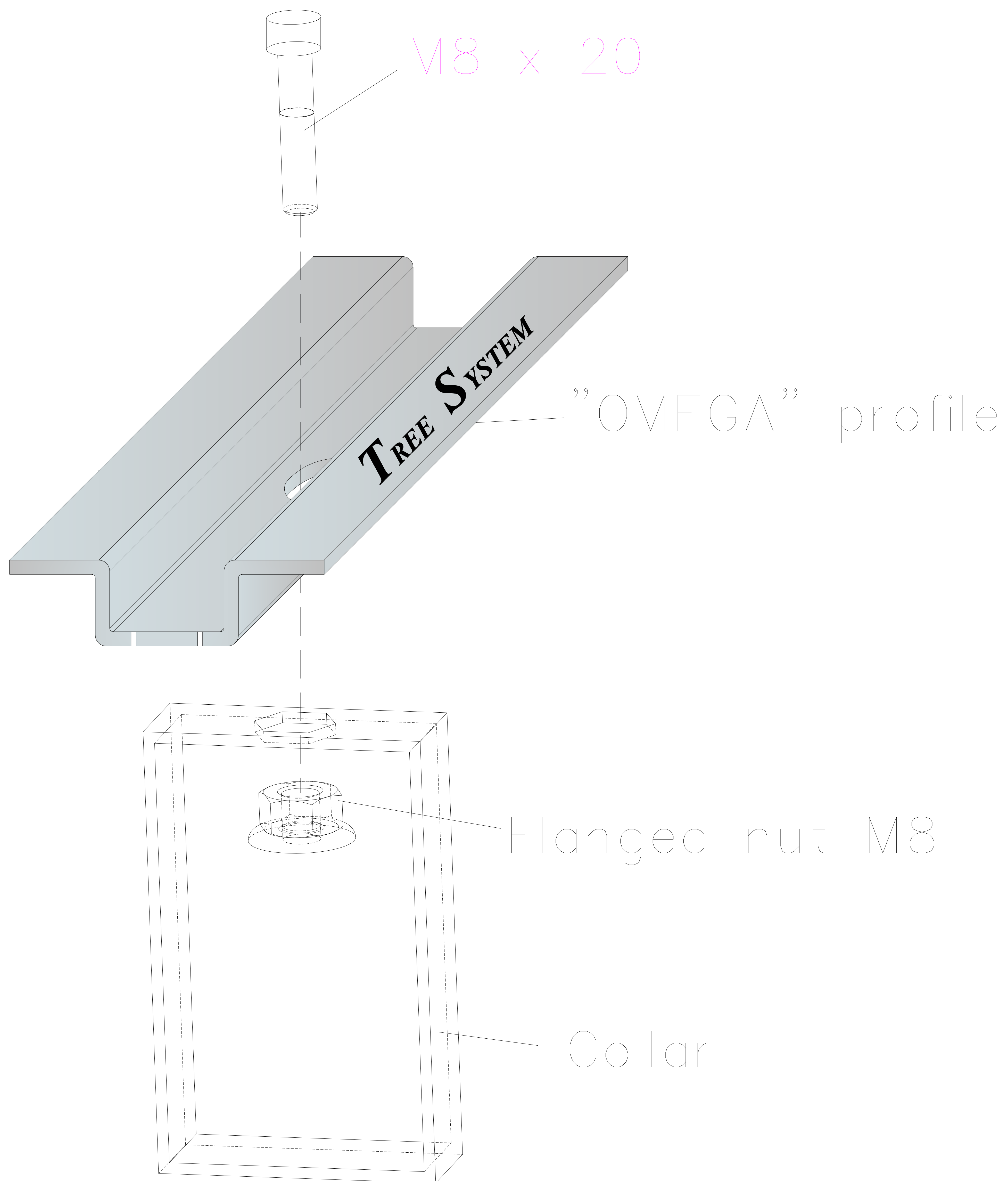
Driving-in the inserts to the ground through guides placed at the base of the frames, using a jack-hammer with SDS-MAX attack for tool, only when all the structure is installed and it has checked that the spirit level giving the transverse orientation of the structure indicates the horizontal.

IN CASE OF DAMAGING OF THE COATING DURING THE INSTALLATION, BE CAREFUL TO REPAIR IT PROMPTLY.

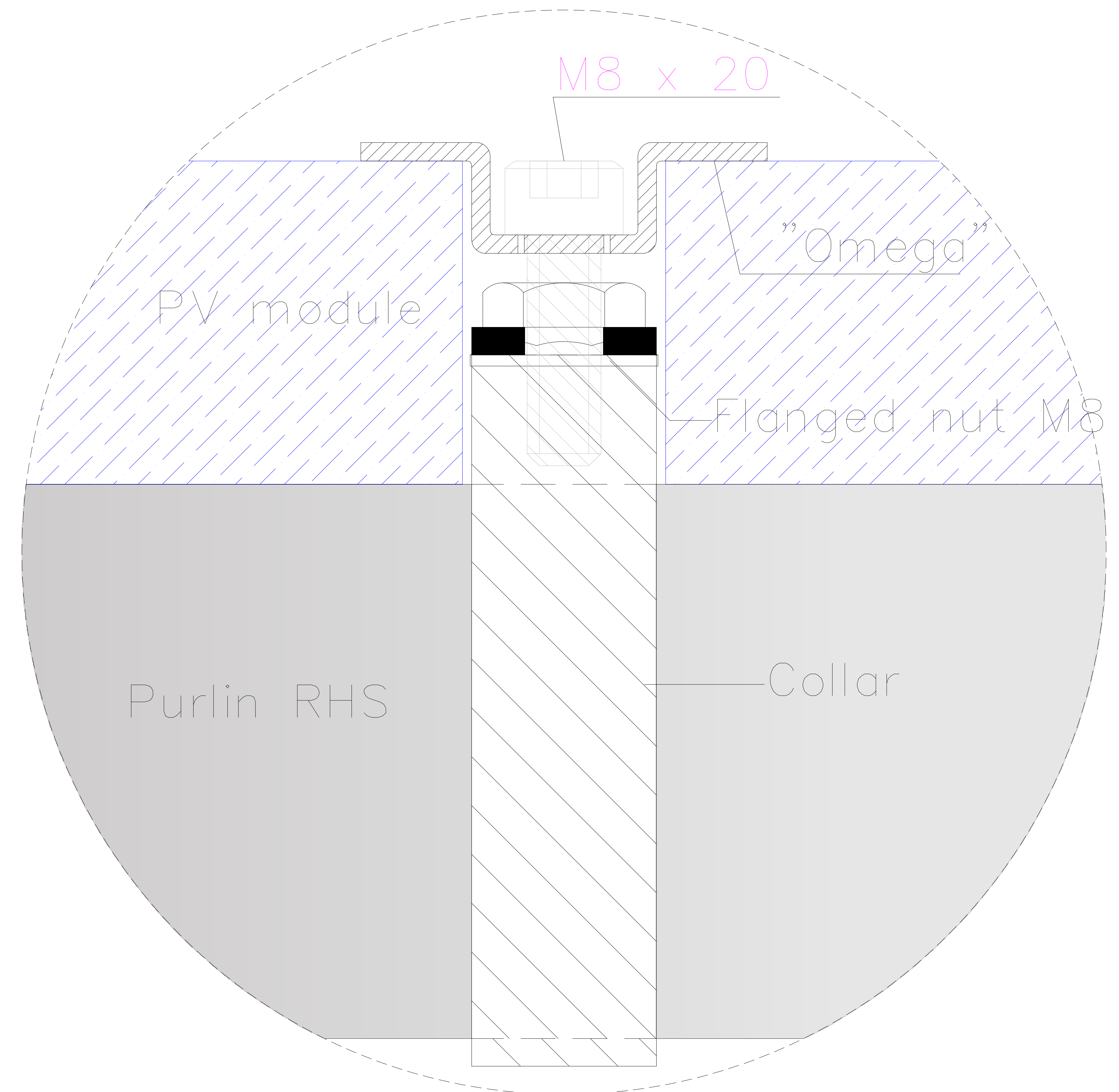
	NAME	DATE		
DRAWN	S.J	29/11/2021	Solelgrossisten Stock4	
CHECKED				
			TITLE Anchoring the structure to the ground.	
SIZE	DWG N°: 9		REV	
SCALE:	WEIGHT:	SHEET		



TreeSystem s.r.l.
Via Moraro n°22, 35020, Pozzonovo (PD)
Tel/fax +390429773082



DETAIL "D"



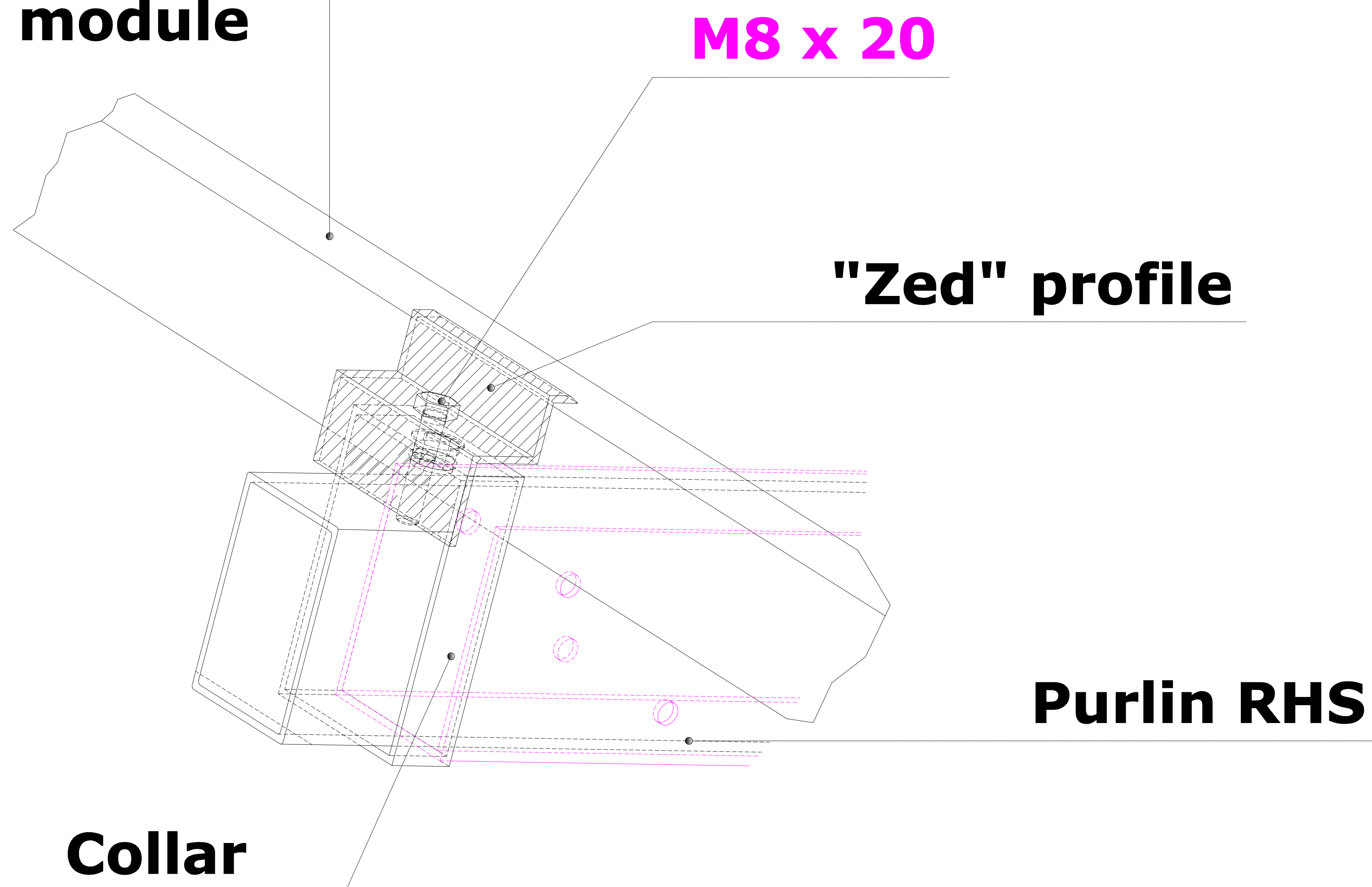
PERMITTED TIGHTENING TORQUE OF MAX 10 Nm (to be verified with the prescriptions of the module manufacturer).



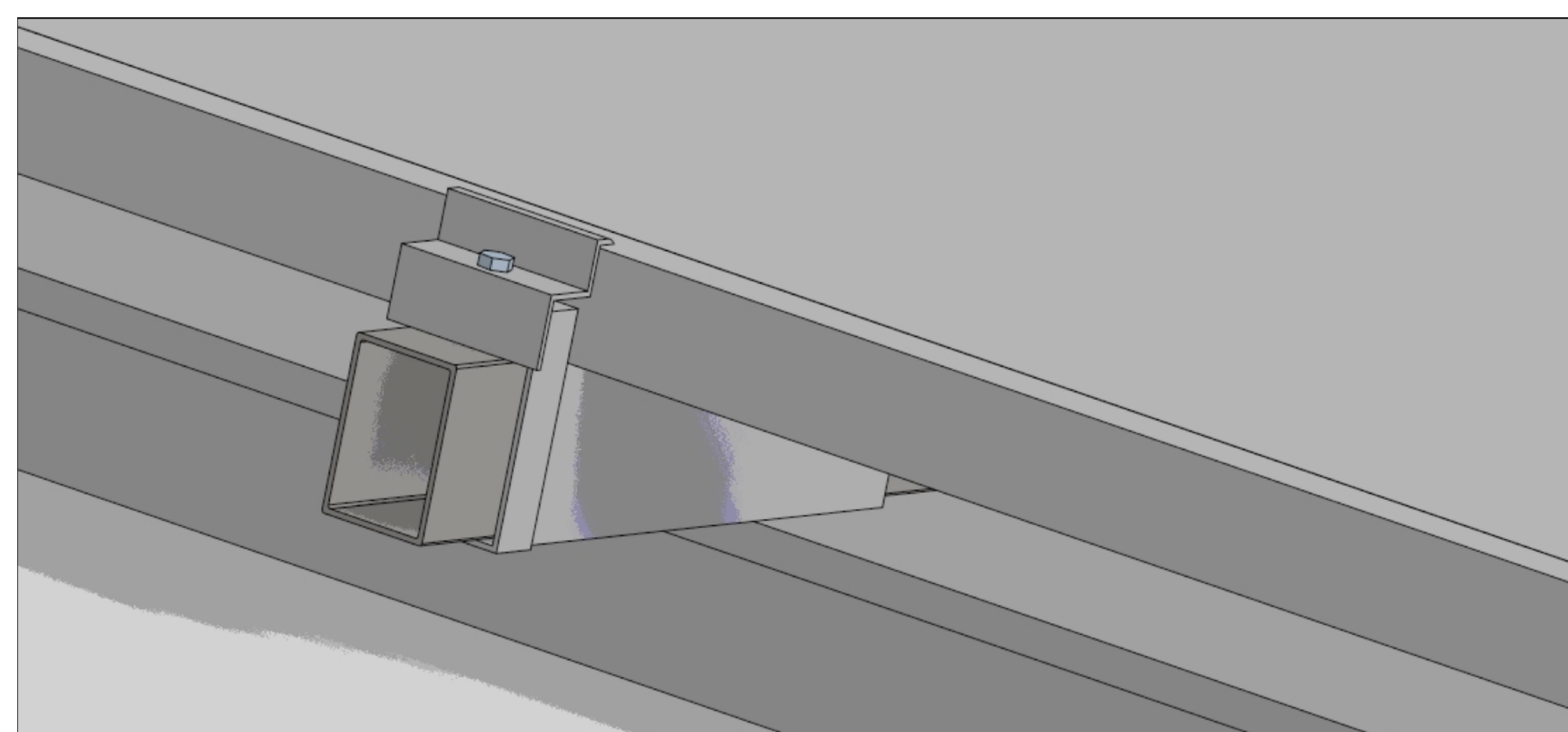
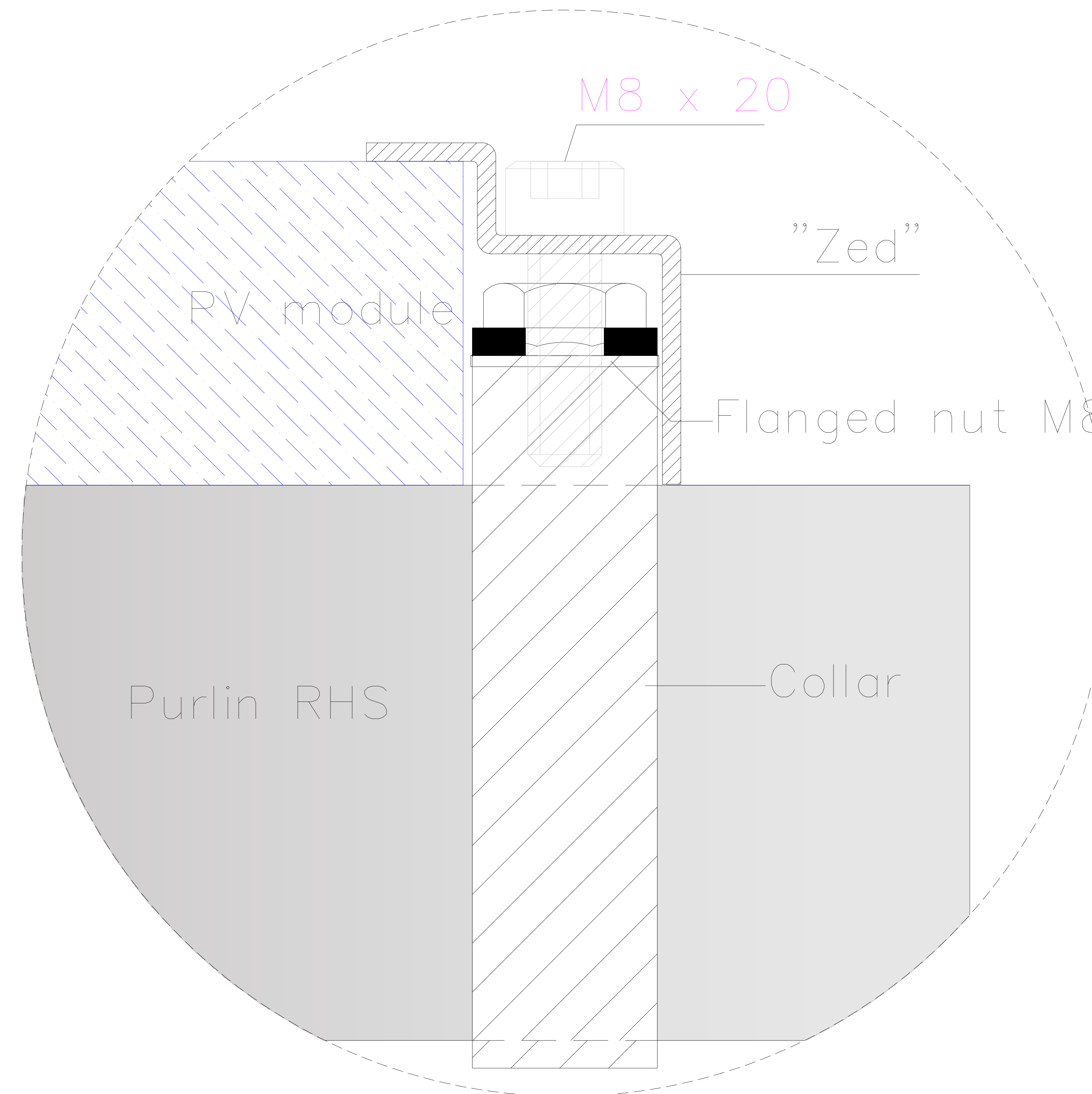
		NAME	DATE		
DRAWN		S.J	29/11/2021	Solelgrossisten Stock4	
CHECKED					
				TITLE Fastening for photovoltaic modules.	
SIZE	DWG N°:	10		REV	
SCALE:	WEIGHT:	SHEET			

TREE SYSTEM
TreeSystem s.r.l.
 Via Moraro n°22, 35020, Pozzonovo (PD)
 Tel/fax +390429773082

Abutment of the module



DETAIL "E"



PERMITTED TIGHTENING TORQUE OF MAX 10 Nm (to be verified with the prescriptions of the module manufacturer).

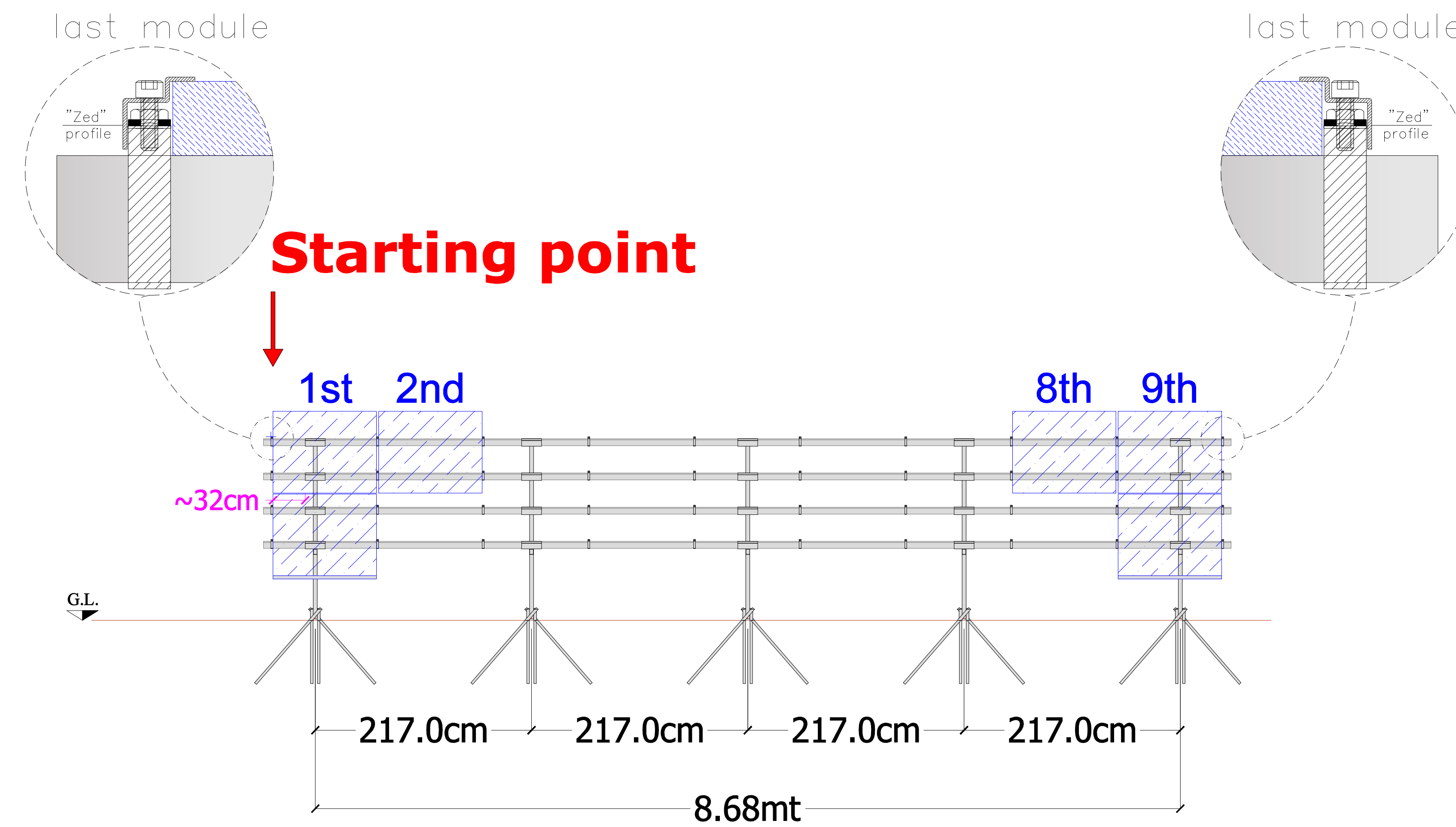


		NAME	DATE		
DRAWN		S.J	29/11/2021	Solelgrossisten Stock4	
CHECKED					
				TITLE	
				Fastening for photovoltaic modules.	
SIZE	DWG N°:	11		REV	
SCALE:	WEIGHT:			SHEET	



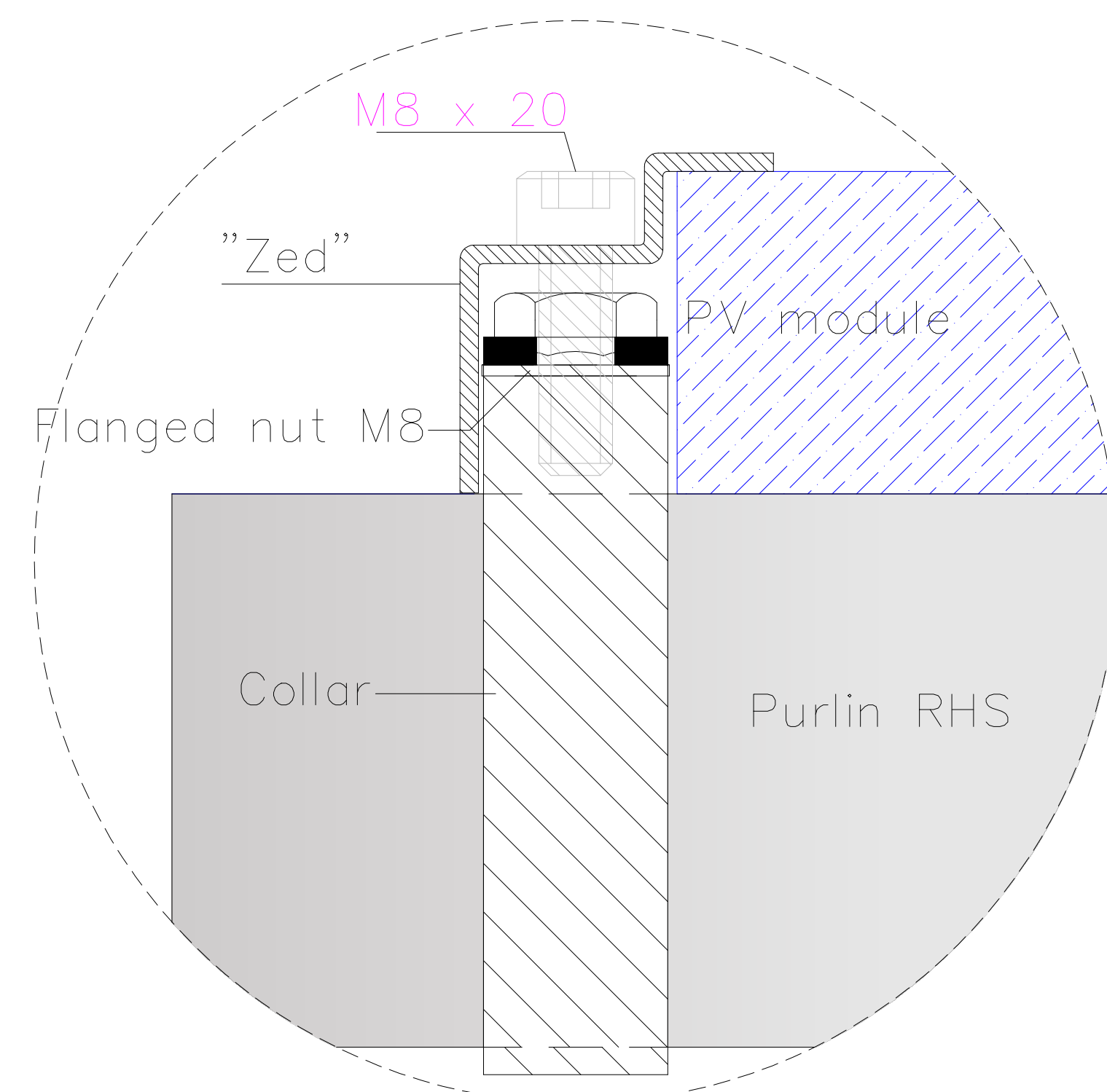
TreeSystem s.r.l.
Via Moraro n°22, 35020, Pozzonovo (PD)
Tel/fax +390429773082

Starting point: for a correct installation of PV modules, you should start from the red point, keeping the first PV module of the row at about 32cm from the left edge of the "U" profile welded on the first framework and going ahead to the right, as illustrated.




Tipology of rack: **9+9**

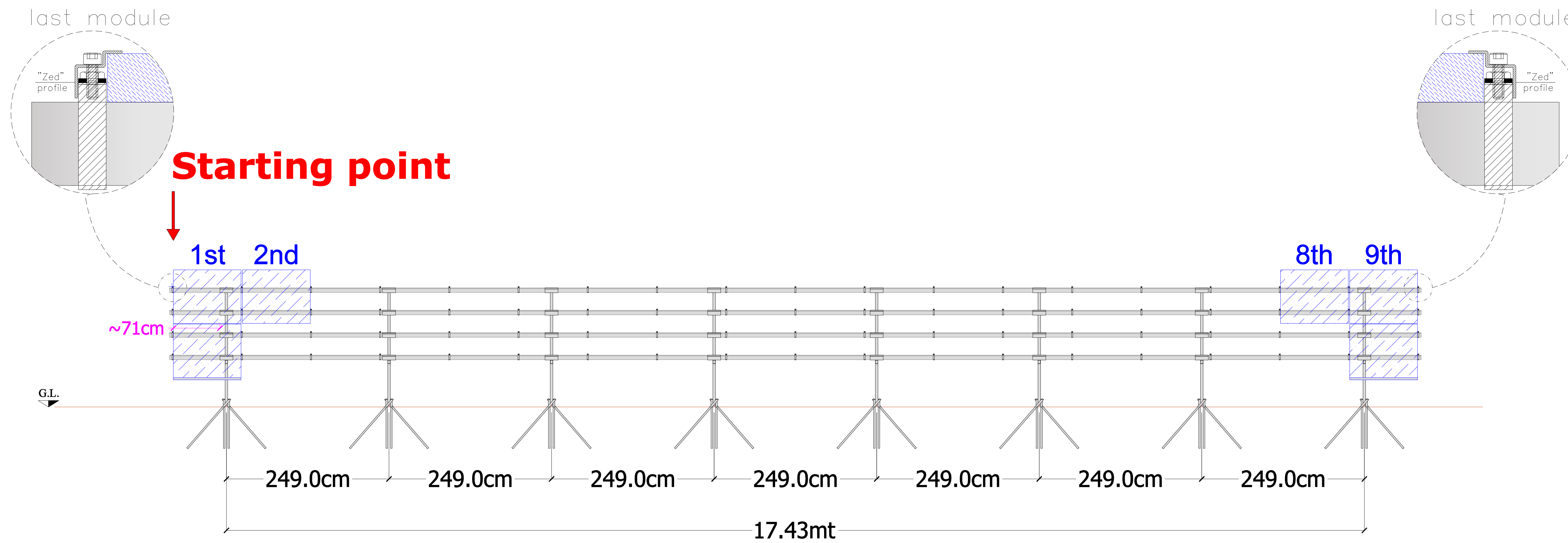
DETAIL "E"



PERMITTED TIGHTENING TORQUE OF MAX 10 Nm (to be verified with the prescriptions of the module manufacturer).

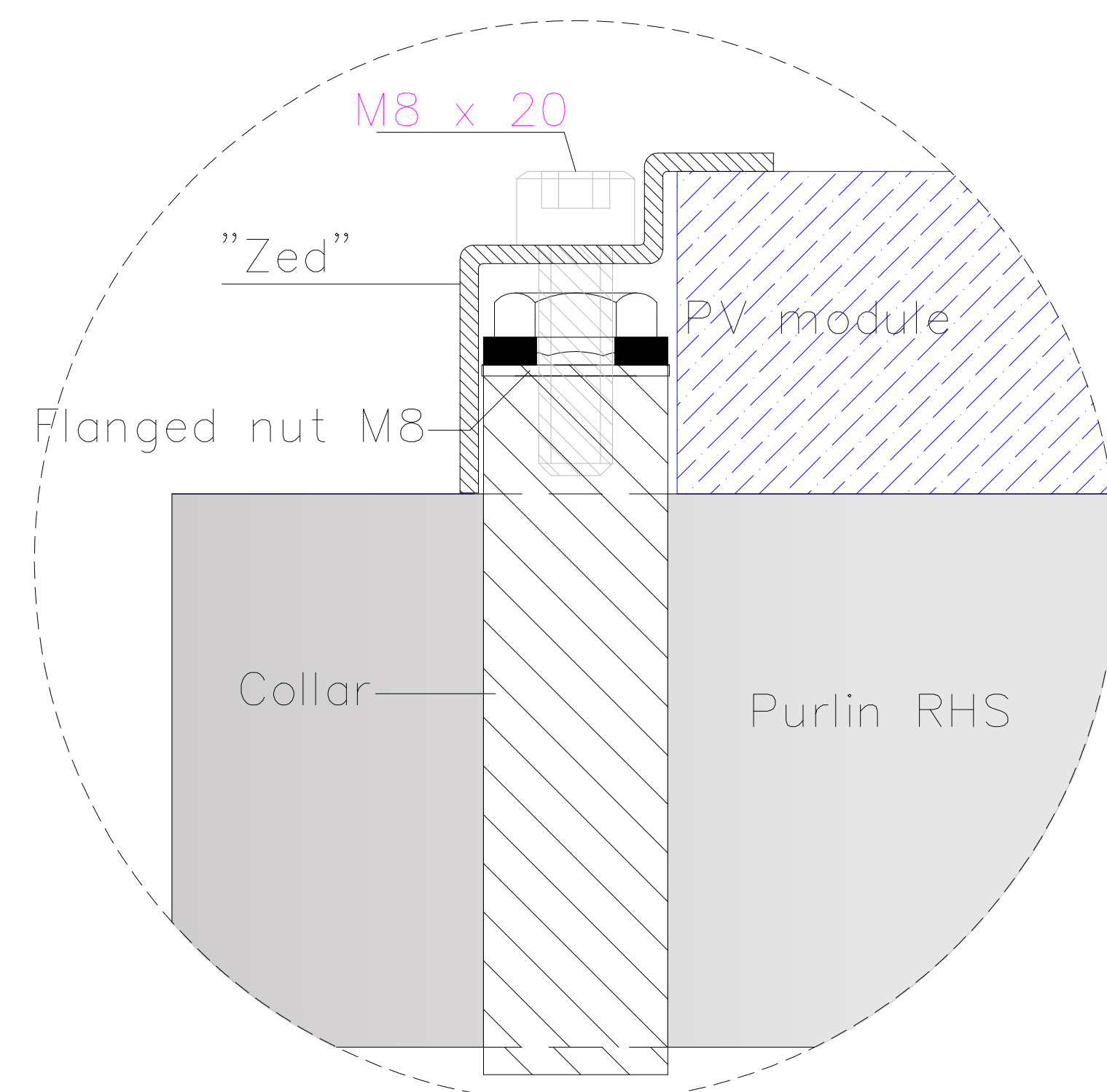
	NAME	DATE	Solelgrossisten Stock4		
DRAWN	S.J	29/11/2021	TITLE Fastening for photovoltaic modules.		
CHECKED					
 TreeSystem s.r.l. Via Moraro n°22, 35020, Pozzonovo (PD) Tel/fax +390429773082			SIZE	DWG N°: 12	REV
			SCALE:	WEIGHT:	SHEET

Starting point: for a correct installation of PV modules, you should start from the red point, keeping the first PV module of the row at about 71cm from the left edge of the "U" profile welded on the first framework and going ahead to the right, as illustrated.




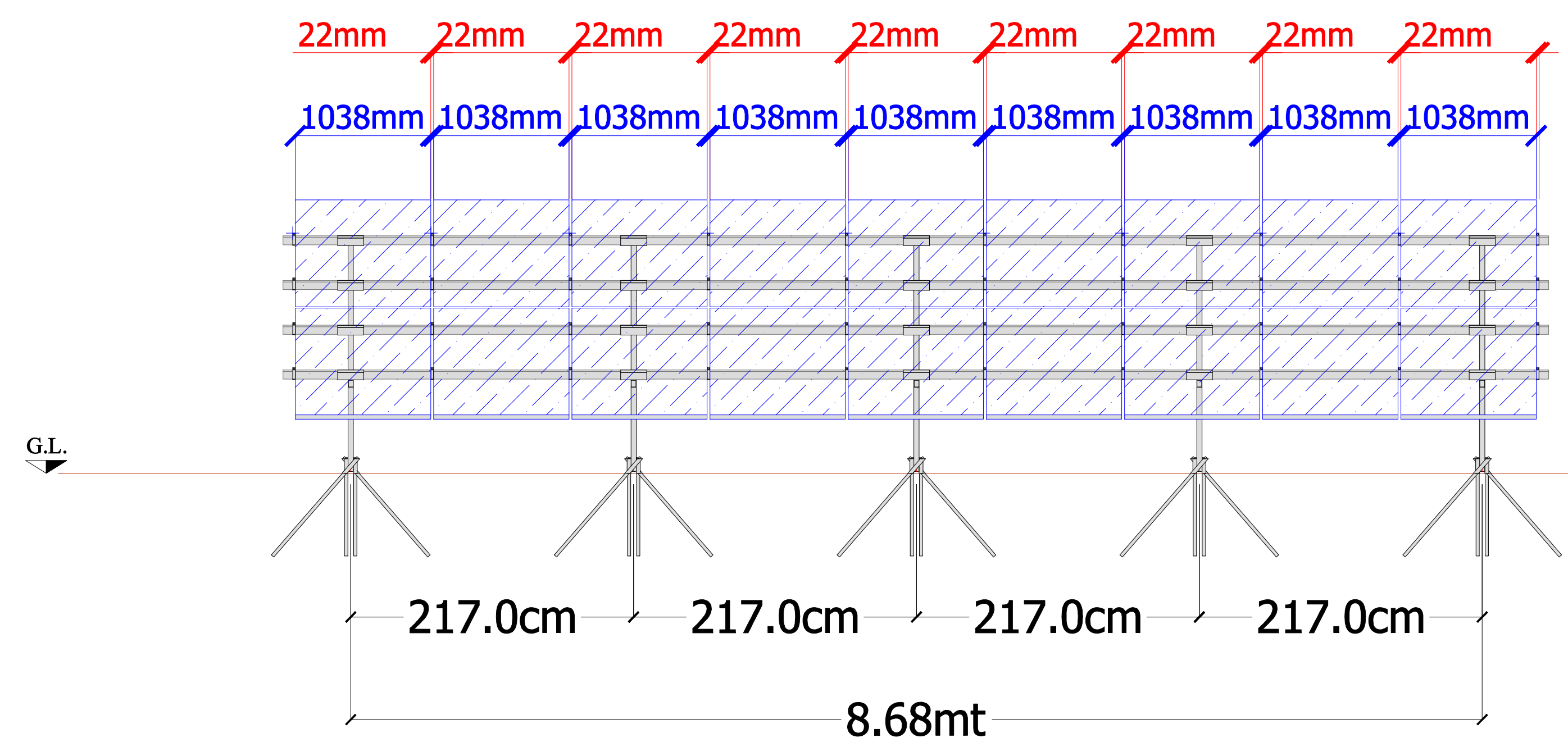
Tipology of rack: **18+18**

DETAIL "E"



PERMITTED TIGHTENING TORQUE OF MAX 10 Nm (to be verified with the prescriptions of the module manufacturer).

	NAME	DATE	Solelgrossisten Stock4		
DRAWN	S.J	29/11/2021	TITLE Fastening for photovoltaic modules.		
CHECKED					
 TreeSystem s.r.l. Via Moraro n°22, 35020, Pozzonovo (PD) Tel/fax +390429773082			SIZE	DWG N°: 13	REV
			SCALE:	WEIGHT:	SHEET

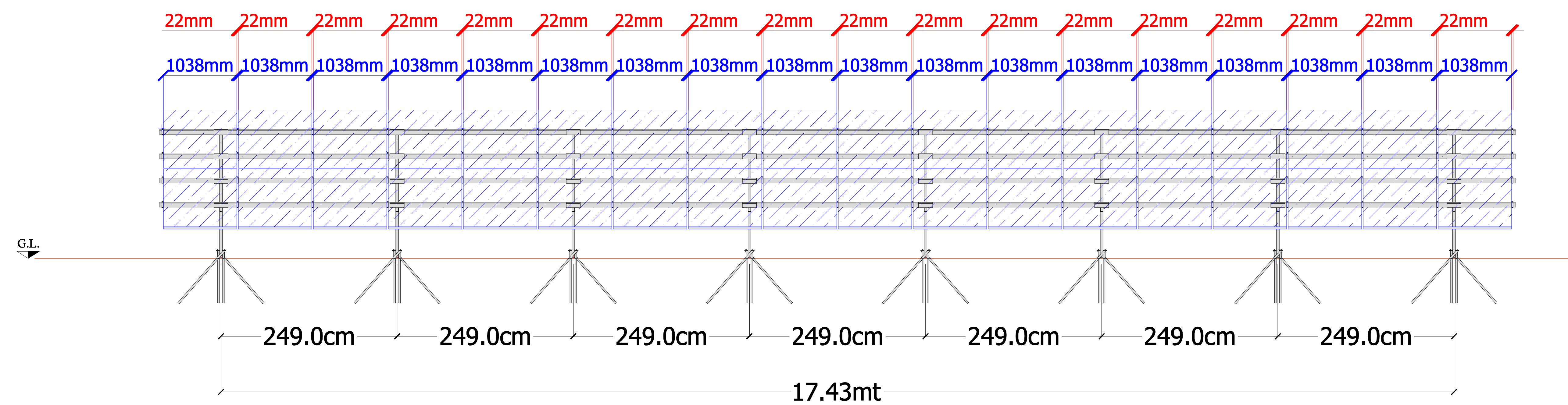


Tipology of rack: **9+9**

DRAWN	NAME	DATE	TITLE		
CHECKED	S.J	29/11/2021	Solelgrossisten Stock4		
			Final result.		
			SIZE	DWG N°: 14	REV
			SCALE:	WEIGHT:	SHEET



TreeSystem s.r.l.
Via Moraro n°22, 35020, Pozzonovo (PD)
Tel/fax +390429773082

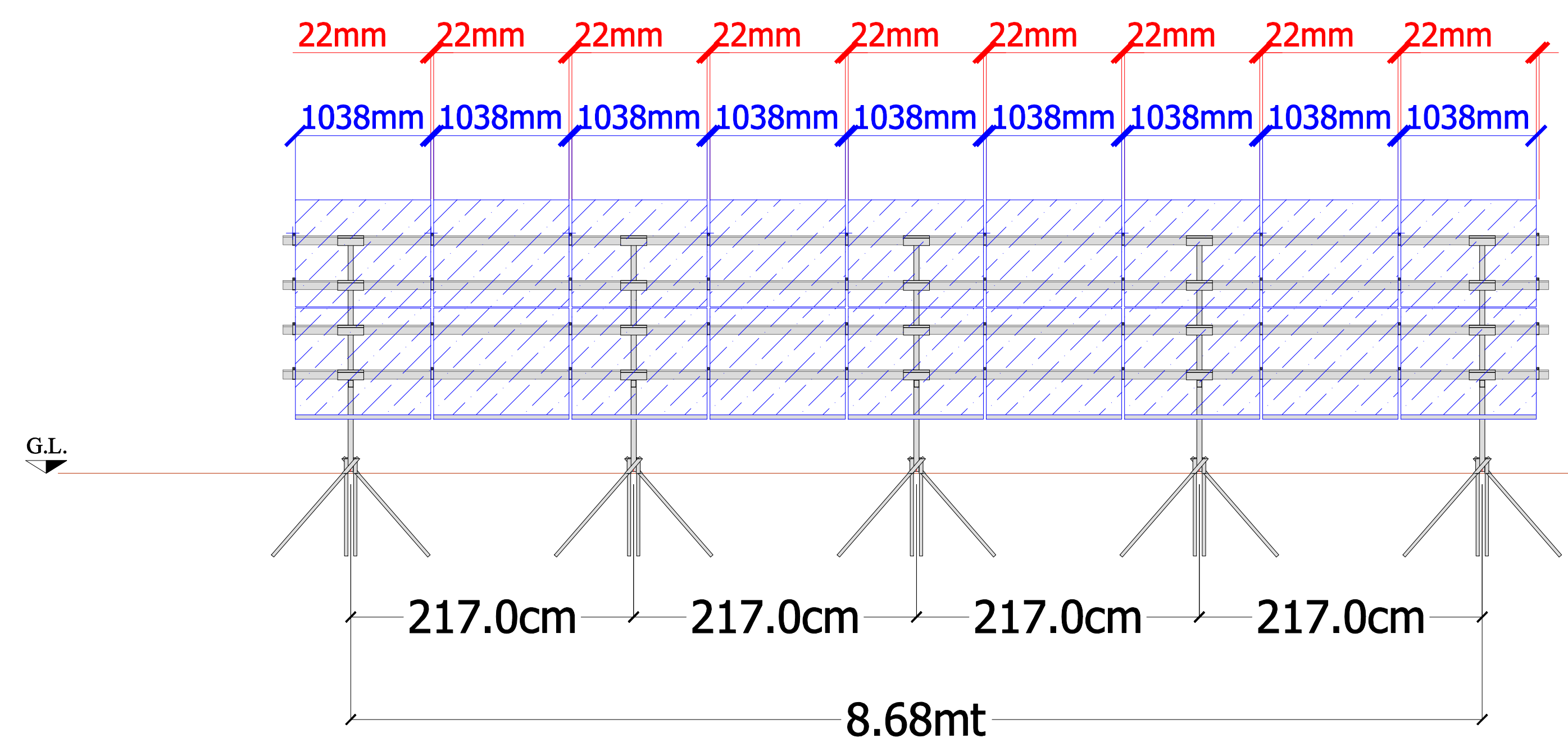


Tipology of rack: **18+18**

		NAME	DATE		
DRAWN		S.J	29/11/2021	Solelgrossisten Stock4	
CHECKED					
				TITLE Final result.	
			SIZE	DWG N°: 15	REV
SCALE:		WEIGHT:		SHEET	



TreeSystem s.r.l.
Via Moraro n°22, 35020, Pozzonovo (PD)
Tel/fax +390429773082

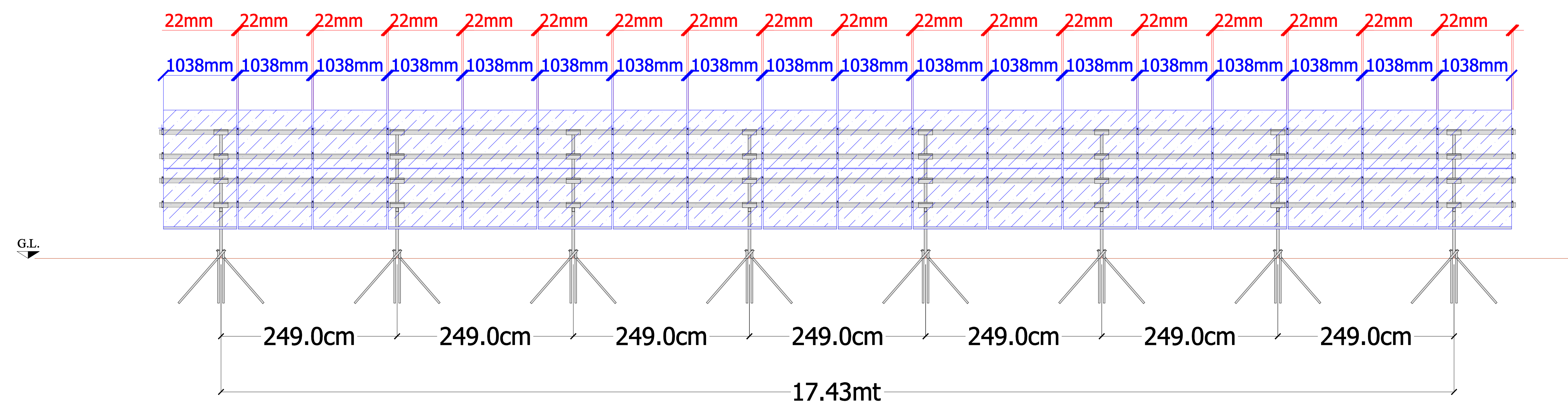


Tipology of rack: **9+9**

DRAWN	NAME	DATE	TITLE		
CHECKED	S.J	29/11/2021	Solelgrossisten Stock4		
			Final result.		
			SIZE	DWG N°: 14	REV
			SCALE:	WEIGHT:	SHEET



TreeSystem s.r.l.
Via Moraro n°22, 35020, Pozzonovo (PD)
Tel/fax +390429773082



Tipology of rack: **18+18**

		NAME	DATE		
DRAWN		S.J	29/11/2021	Solelgrossisten Stock4	
CHECKED					
				TITLE	
				Final result.	
SIZE	DWG N°:		15	REV	
SCALE:	WEIGHT:	SHEET			



TreeSystem s.r.l.
Via Moraro n°22, 35020, Pozzonovo (PD)
Tel/fax +390429773082