

BORDEAUX

REF 84.1.135

SAFETY KNIFE FOR PACKING STRAPS AND THICK FILMS

Ideal for cutting thick plastic films, PVB, packing straps and textiles.

SAFETY • No contact with the blade during its change.

CONVENIENT • Blade length adjustable to optimize the edge of the blade.



FOR RIGHT & LEFT
HANDED USERS



LIGHT



ERGONOMIC



SHOCK RESISTANT

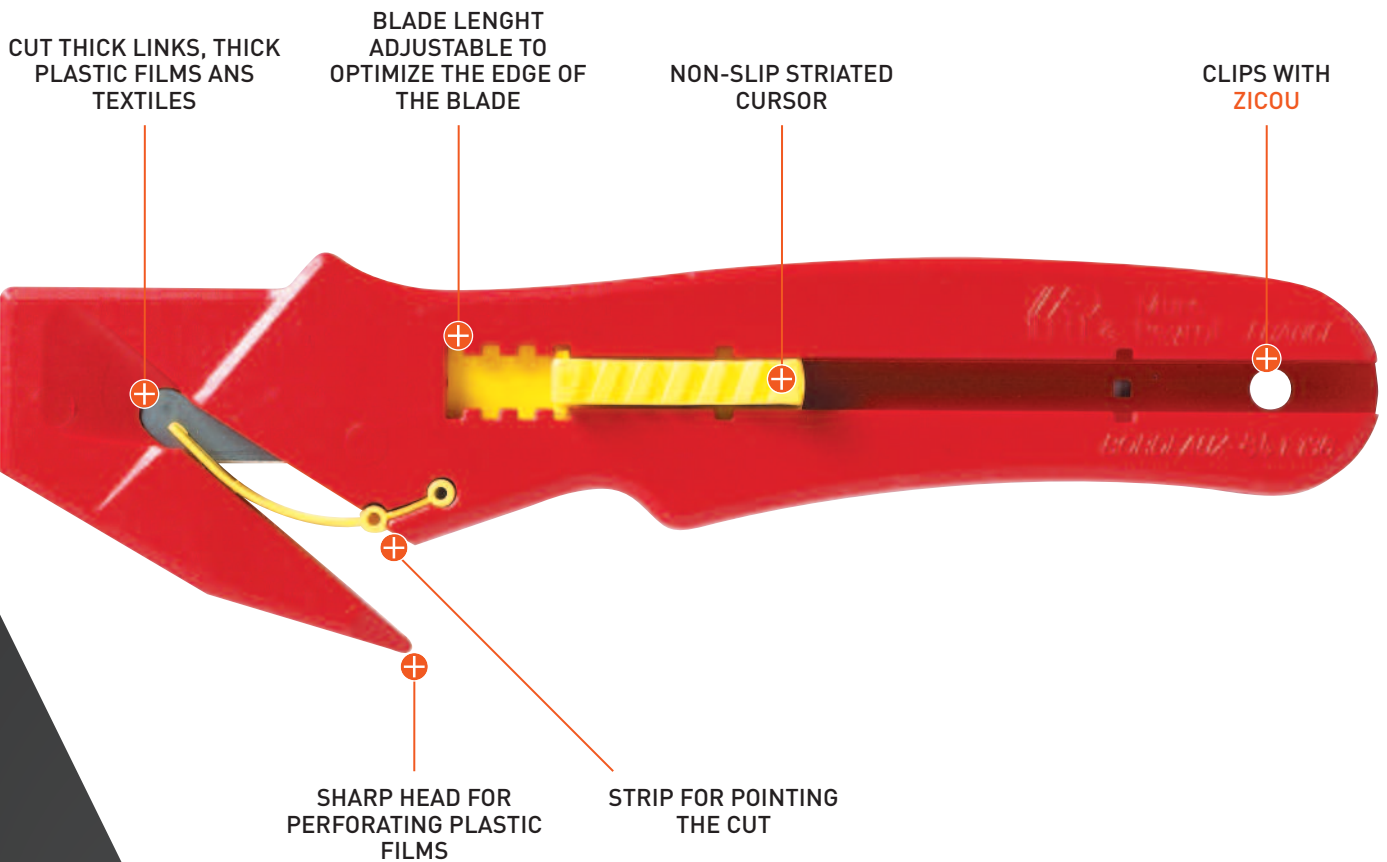


RESISTANT TO DETERGENTS

TECHNICAL SHEET

CUTTING PLASTIC FILMS AND STRAPS : EVERY SECTORS

SAFETY: THE BLADE IS PROTECTED AND NO CONTACT IS POSSIBLE WHILE CUTTING MATERIALS.



THE PROS



DELIVERED WITH A RAZOR BLADE
REF 135.3



LIGHT AND ROBUST



ERGONOMIC AND LIGHT FOR RIGHT AND LEFT HANDED USERS

FUNCTIONS



For cutting thick plastic films, PVB



For cutting plastic films



For cutting packaging links



For cutting threads and strings



For cutting textiles

TECHNICAL CHARACTERISTICS

- Cut the plastic films from palettes.
- Cut the roofing films.
- Easy and safe use over a great length and depth.
- Material removal without jamming.
- Reversible blade.
- Easy blade change.
- Small movement of the trigger for a large blade output (50 mm).
- High cutting precision.
- Resistant to detergents.

BLADE CHANGE

01/Move the cursor to the back of the knife.



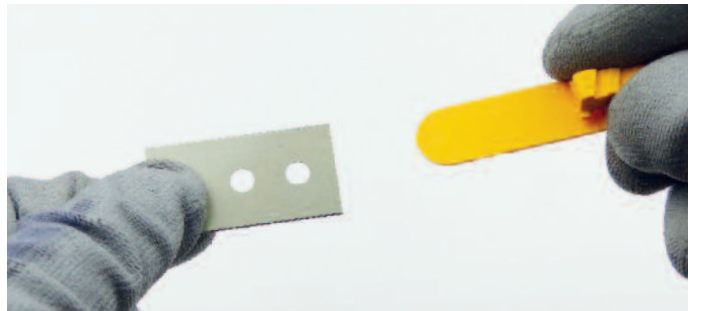
02/Bring it to the end ...



03/... until you bring it out.

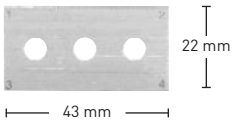


04/Release the used blade from its support and proceed in reverse with a new blade.



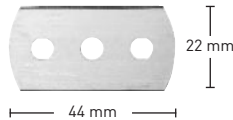
BLADES

DELIVERED WITH

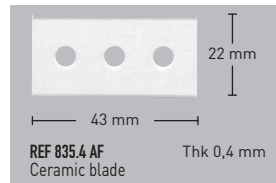


REF 135.3
Blade made of premium quality
THK 0,3 mm

OTHER COMPATIBLE BLADES



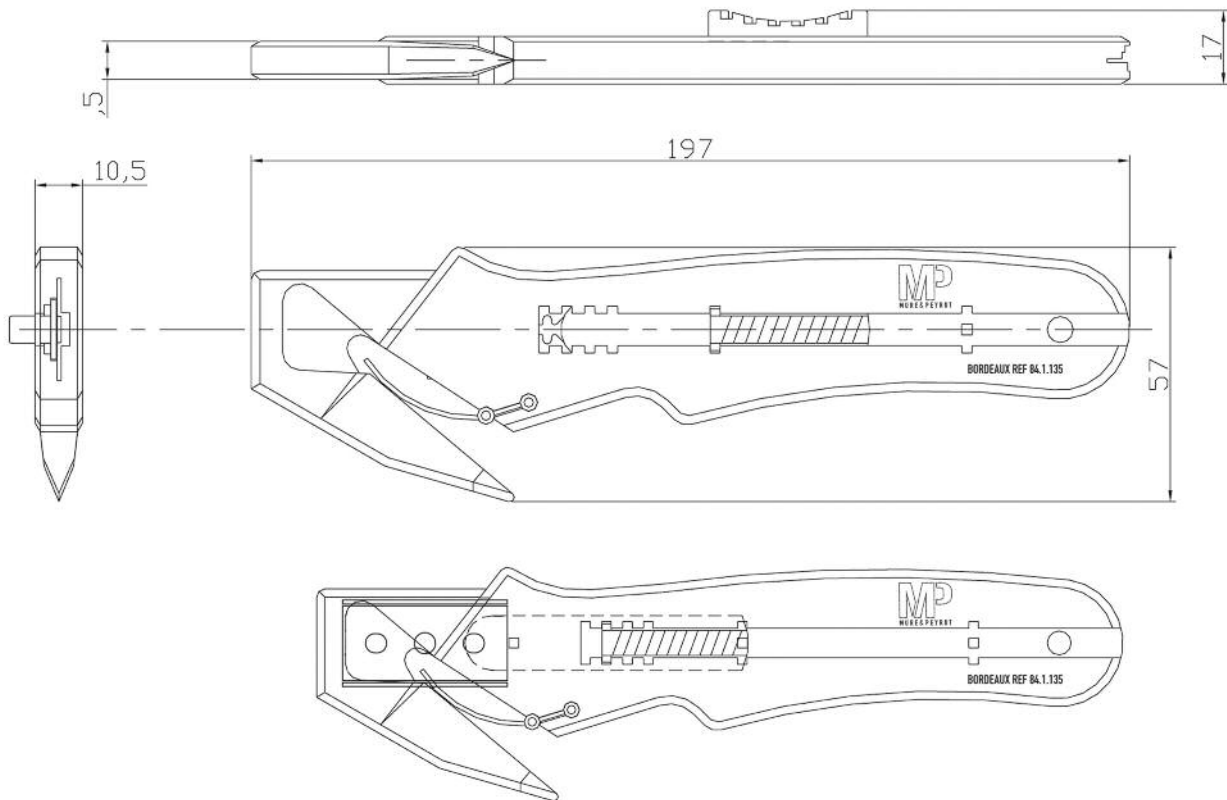
REF 137.3
Blade made of premium quality steel.
THK 0,3 mm



REF 835.4 AF
Ceramic blade
Thk 0,4 mm

Blade Reference	Description	Type	Dimensions (in mm) Length • Width • Thickness	Sharpening Angle	Hardness
135.3	Razor blade	Gauge steel 1.1% carbon	43 x 22 x 0,3	23,5°	62,1 Hrc
137.3	Razor rounded blade	Gauge steel 1.1% carbon	44 x 22 x 0,3	30,5°	63,9 Hrc
835.4 AF	Razor blade	Zirconia based ceramic	43 x 22 x 0,4	28°	-

TECHNICAL SHEET (in mm)



Packaging	Weight PKG	Dimensions (in mm) Length • Width • THK	Quantity PKG	Units	Accessories	Material	Color
SKIN PACK AND BOX	61 g	197 x 57 x 17	10	4 units	Body	PC	Red
					Latch	POM	Yellow
					Cursor	POM	Yellow
					Blade 135.3	Gauge steel	Metallic

MP
MURE & PEYROT

MURE & PEYROT
25, rue Roger Touton • BP 50120
Parc d'Activités Bordeaux Nord
33041 BORDEAUX CEDEX - FRANCE

Tel.: +33 (0)556 693 200 / Fax: +33 (0)556 693 202 / E-mail: mail@mure-peyrot.com

FOR MORE INFORMATION
MURE-PEYROT.COM