

CENON

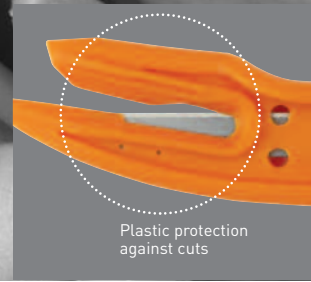


REF 97.1.000

DISPOSABLE SAFETY KNIFE

Ideal for all handling works and for opening cardboard boxes and packaging.

- SAFETY**
- No blade contact.
 - Disposable knife, no blade change.



Plastic protection against cuts



FOR RIGHT AND LEFT HANDED USERS



LIGHT



ERGONOMIC



AVOID MSDs



RESISTANT TO DETERGENTS



MAXIMAL SAFETY



SINCE 1904

TECHNICAL SHEET

CUTTING PLASTIC FILMS, PACKAGING STRAPS, TEAR ADHESIVES

SAFETY: DISPOSABLE KNIFE, NO CONTACT WITH THE BLADE.
METAL PIN AT THE BACK IS NOT SHARP.

TIP TO PIERCE PLASTIC FILMS

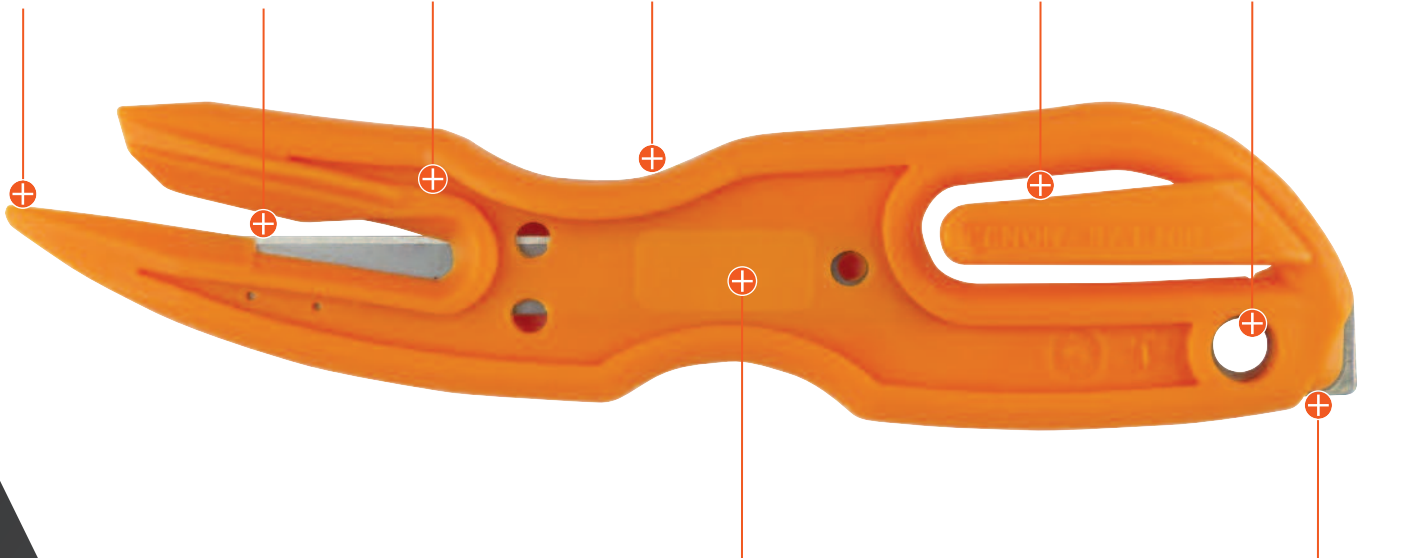
FIXE BLADE

FINGERS PROTECTION

ERGONOMIC FOR THE THUMB

CAN BE FIXED ON THE POCKET

CLIPS WITH ZICOU



CUSTOMIZED MARKING POSSIBLE

PIECE MADE OF STAINLESS STEEL NOT SHARP

THE PROS



LIGHT AND ERGONOMIC FOR RIGHT AND LEFT HANDED USERS



HIGH CUTTING PRECISION

FUNCTIONS



To cut single-wall carton



To cut packaging adhesives



To cut plastic films



To cut thick plastic films, PVB



To cut threads

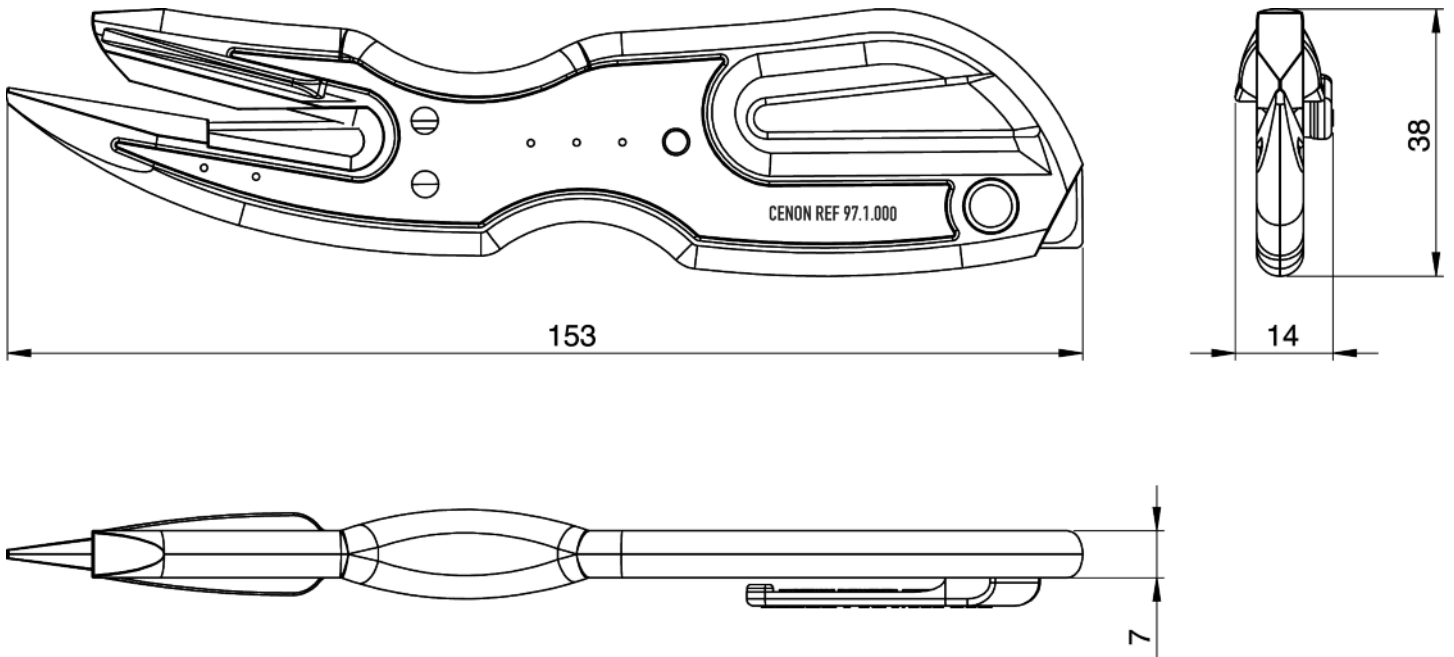


To cut packaging links

OTHER CHARACTERISTICS

- Robust and very light (17g).
- Gesture comfort.
- Very good value for money.
- Avoid MSDs.
- For right and left handed users.
- Ease the opening of cardboards, cutting plastic films and packaging links, and tearing packaging adhesives.
- To cut plastic straps, cut with an angle of 30° to 40°.

TECHNICAL SHEET (in mm)



Packaging	Weight PKG	Dimensions (in mm) Length • Width • Thick.	Quantity PKG	Units	Accessories	Material	Colors
CARD-BASED AND IN BULK	17 g	153 x 38 x 14	10	3 units	Body	Polypropylene (PP)	Orange
					Overmolded blade	Premium quality steel	Metal grey
					Overmolded insert	Stainless Steel not sharp	Metal grey

Patented design, GS TÜV certified.

MP
MURE & PEYROT

MURE & PEYROT
25, rue Roger Touton • BP 50120
Parc d'Activités Bordeaux Nord
33041 BORDEAUX CEDEX - FRANCE

Tel.: +33 (0)556 693 200 / Fax: +33 (0)556 693 202 / E-mail: mail@mure-peyrot.com

FOR MORE INFORMATION
MURE-PEYROT.COM