

LESCURE 2

REF 58.1.144

SAFETY DEBURRING KNIFE

Ideal for deburring thick plastic and thick films.

SAFETY • The side protections enable a comfort and safety work.



FOR RIGHT & LEFT
HANDED USERS



LIGHT



ERGONOMIC



AVOIDS MSD's

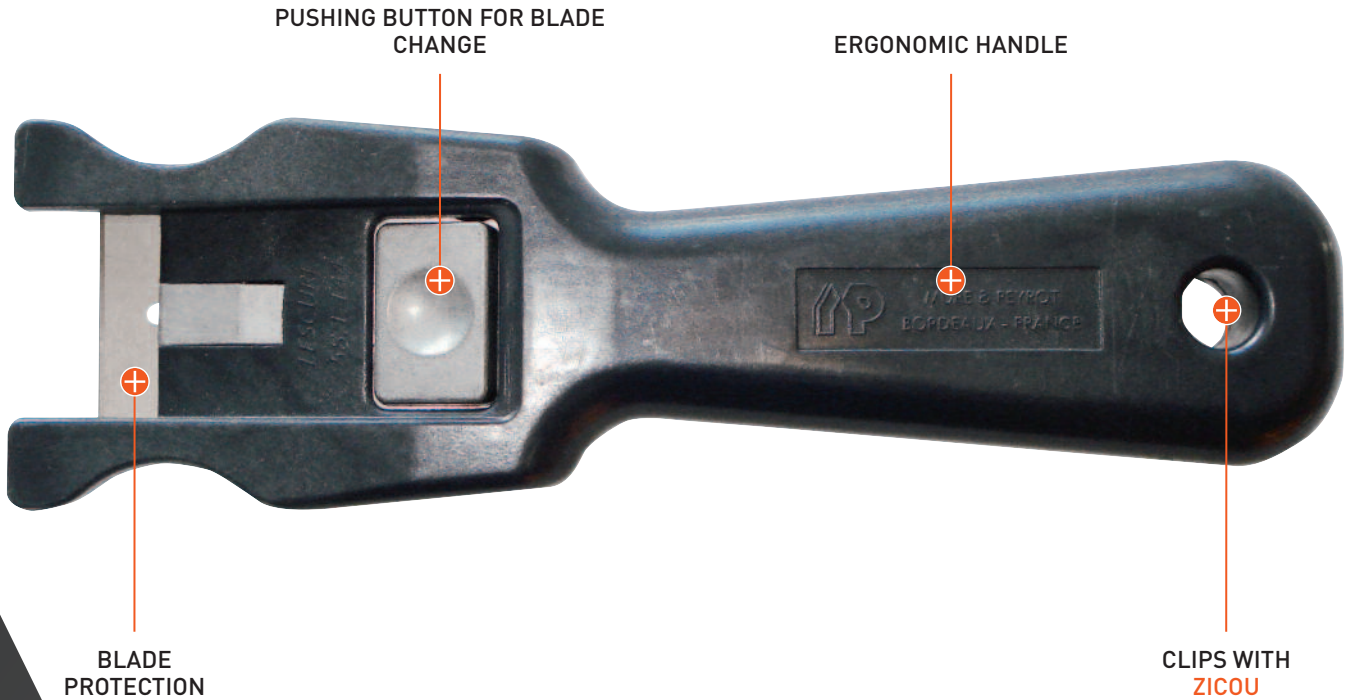


RESISTANT TO DETERGENTS

TECHNICAL SHEET

SPECIAL DEBURRING KNIFE

THE SIDE PROTECTIONS ENABLE AN EASY AND SECURE BLADE EXIT AND THE USE OF THE BLADE OVER ALL ITS CUTTING LENGTH.



THE PROS



DELIVERED WITH A BLADE
REF 144.3



VERY COMPACT



ERGONOMIC AND LIGHT (67 G)
FOR RIGHT AND LEFT HANDED USERS



SAFE WORK

FUNCTIONS



For cutting thick plastic
films, PVB

SIDE PROTECTIONS FOR MORE SAFETY



TECHNICAL CHARACTERISTICS

- Windshield industry: studied for deburring thick plastic after passage in the oven.
- Easy blade change.
- Reversible blade.
- High blade stability.

BLADE CHANGE

01/ Press the push button to release the blade outlet.

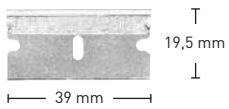


02/ Keep the button pressed and carefully take out the blade.



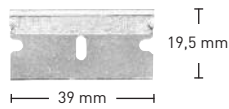
BLADES

DELIVERED WITH



REF 144.3 THK 0,3 mm
Blade made of premium quality steel.

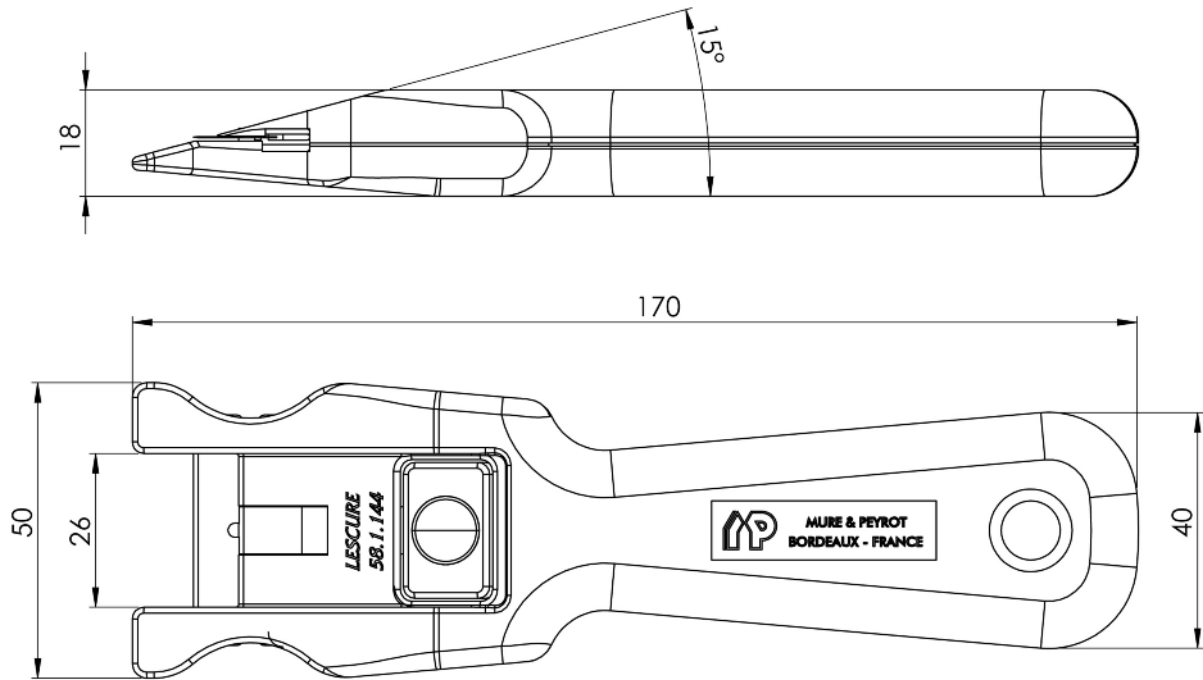
OTHER COMPATIBLE BLADES



REF 144.2 THK 0,2 mm
Blade made of premium quality steel.

Blade Reference	Description	Type	Dimensions (in mm) Length • Width • Thickness	Sharpening Angle	Hardness
144.3	Steel back heel blade	Premium quality steel	39 x 19,5 x 0,3	17° - 35°	63,0 Hrc
144.2	Heel blade	Premium quality steel	39 x 19,5 x 0,2	14° - 32°	63,7 Hrc

TECHNICAL SHEET (in mm)



Packaging	Weight PKG	Dimensions (in mm) Length • Width • THK	Quantity PKG	Units	Accessories	Material	Color
LOOSE	67 g	170 x 50 x 18	4	4 units	Body	Polyamide + Fiberglass (PA 6.6 + 10% FG)	Black
					Pushbutton	Zamac	Metallic
					Blade 144.3	Premium quality steel	Metallic

Registered model, TÜV certification in progress.

MP
MURE & PEYROT

MURE & PEYROT
25, rue Roger Touton • BP 50120
Parc d'Activités Bordeaux Nord
33041 BORDEAUX CEDEX - FRANCE

Tel.: +33 (0)556 693 200 / Fax: +33 (0)556 693 202 / E-mail: mail@mure-peyrot.com

FOR MORE INFORMATION
MURE-PEYROT.COM