

TECHNICAL DATA SHEET

TRAPEZOID BLADE NO. 85232

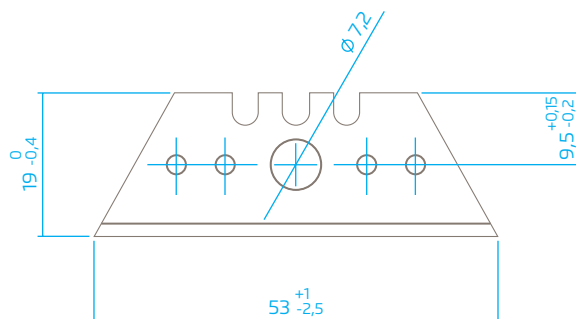


TRAPEZOID BLADE NO. 85232 from MARTOR is a high-quality blade made of steel with TiN-coating. It is very sharp and has two cutting edges that can be used one after the other for a long service life. The wide ground edge makes cutting easier. The blade is 53 mm long, 19 mm wide and 0.63 mm thick.

TRAPEZOID BLADE NO. 85232 is available under order number 85232.70 in a dispenser of 10.

PRODUCT DETAILS

| | |
|-----------------------|---------------------------------|
| Order No. | NO. 85232.70 |
| Blade size (L x W) | 53 x 19 mm |
| Material thickness | 0.63 mm |
| Weight Blade | 2.7 g |
| Basic material | Steel |
| Refinement/ Version | TiN |
| Ground | deep-edged, 2-sided ground-edge |
| Blade facets | Double bevel edge-ground |
| Blade characteristics | 2-cutting edge blade |



PACKAGING DETAILS

| | |
|------------------------|-------------------|
| Packaging unit (PU) | 10 in dispenser |
| Size PU | 64.4 x 26 x 16 mm |
| Weight PU | 40.0 g |
| EAN Code PU | 4002632920240 |
| Quantity in outer pack | 10 dispensers |
| Size outer pack | 128 x 29 x 67 mm |
| Weight outer pack | 420 g |
| EAN Code outer pack | 4002632971563 |
| Customs tariff number | 82119400 |



PRODUCT FEATURES

Technical features



TiN-coated



2-sided ground-edge



deep-edged



2-cutting edge blade



MOUNTABLE IN

The blade can be used in the following MARTOR knives: SECUNORM MIZAR, SECUNORM MULTISAFE, SECUNORM 300, SECUNORM 500, SECUNORM PROFI, ARGENTAX MULTIPOS.

SAFETY ADVICE



CAUTION: The blade is sharp and can result in serious and deep cuts. Therefore, never reach into the blade!

Only use cutting tools that are in perfect condition with sharp, clean and undamaged MARTOR blades. Also make sure that the knife's operation is not impaired by the material to be cut or by dirt or particle deposits around the blade.

1. Replacement of spare parts: Replace any blades that become dull at the right time! Dispose of old blades in a proper fashion. They should not be placed in a waste paper bin, as this poses a considerable danger of injuries.

2. Non-use of the knife: Always secure the blade in such a way (depending on product type) that injuries due to cuts are excluded. Store the knife in a secure place.

3. Care instructions: To guarantee a long service life, always keep the knife clean and do not expose it to unnecessary soiling and humidity.

CAUTION: No liability will be assumed for consequential losses. Subject to technical changes and errors! This knife does not belong in the hands of children!

CONTACT

MARTOR KG | Lindgesfeld 28 | 42653 Solingen | Germany
T +49 212 73870-0 | info@martor.de | www.martor.com