



Equipped with AEM® Dryflow™ Filter
No Oil Required!

INSTALLATION INSTRUCTIONS

PART NUMBER: 21-8204

1998-2002	DODGE	Ram 3500 Pickup	L6-5.9L DSL	C.A.R.B. E.O. # D-670
1998-2002	DODGE	Ram 2500 Pickup	L6-5.9L DSL	C.A.R.B. E.O. # D-670
1994-1997	DODGE	Ram 3500 Pickup	L6-5.9L DSL	SEE * NOTE
1994-1997	DODGE	Ram 2500 Pickup	L6-5.9L DSL	SEE * NOTE

* **NOTE:** Legal in California only for racing vehicles which may never be used upon a highway

PARTS LIST

Description	Qty.	Part Number
Air Filter Assy. 4.00 X 9" Dry Ele.	1	21-2059DK
Heat Shield	1	20-8204
Inlet Pipe	1	2-82041
Elbow, 4.00 Tight 90 Deg.	1	5-490
Edge Trim, 15"	1	8-4015
Mount, Rubber 5/8" X 6mm	1	1228598
Grommet, 1/2"	1	784634
Edge Trim, 7"	1	8-4007
Vacuum Cap, 1/4	1	8-131
Nut, M6 Hex Serrated	5	444.460.04
Washer, 6mm Soft Mount	5	559999
1/2" Bnd. Hose Clamp,3.56"-4.50"	3	9464

Read and understand these instructions **BEFORE** attempting to install this product. Failure to follow installation instructions and not using the provided hardware may damage the intake tube, throttle body and engine.

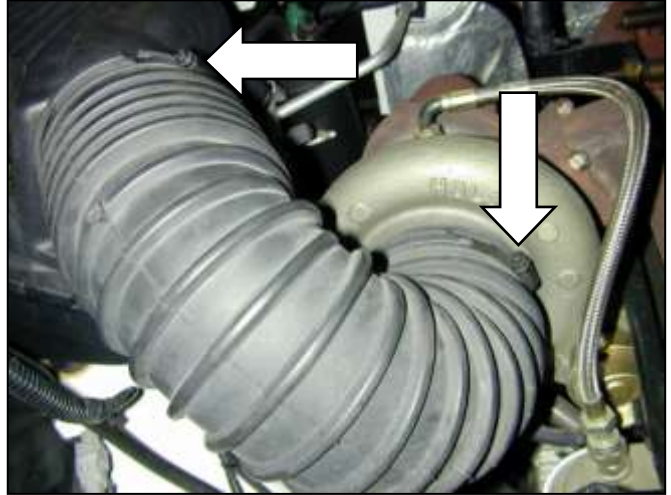
1. Preparing Vehicle

- a. Make sure vehicle is parked on level surface.
- b. Set parking brake.
- c. If engine has run in the past two hours, let it cool down.
- d. Disconnect both battery terminal.
- e. Do not discard stock components after removal of the factory system.

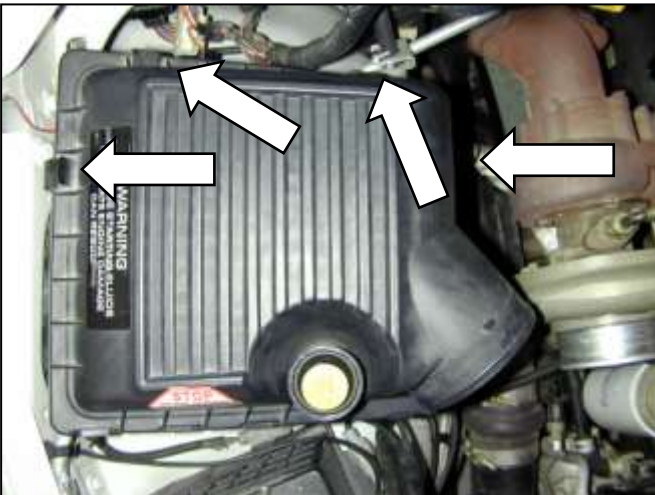
2. Removal of stock system



a. Factory air box system.



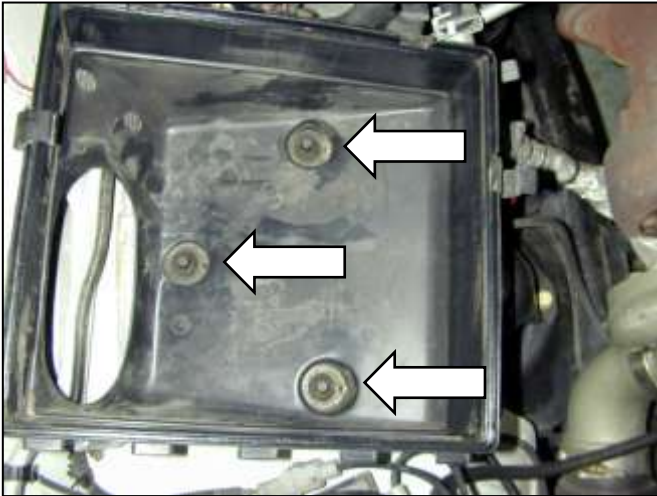
b. Loosen both hose clamps and remove flexible hose.



c. Release four clips and remove upper air box.



d. Remove snorkel by squeezing middle together while pulling towards center of the vehicle.



e. Loosen three plastic nuts and remove lower air box.



f. Remove filter status meter from upper air box.

3. Installation of AEM® intake system.

a. When installing the intake system, do not completely tighten the hose clamps or mounting hardware until instructed to do so.



b. Install the supplied grommet into the hole on the pipe.



c. Remove stock rubber grommet from air filter status meter.



d. Install the air filter status meter in pipe. Make sure that it is inserted as far as possible.



e. Confirm that the elbow is free of obstructions. Attach elbow and two hose clamps to inlet side of turbo. Do not tighten hose clamps.



f. Install heat shield in engine bay. Secure the heat shield to the body with the three supplied washers and lock nuts.



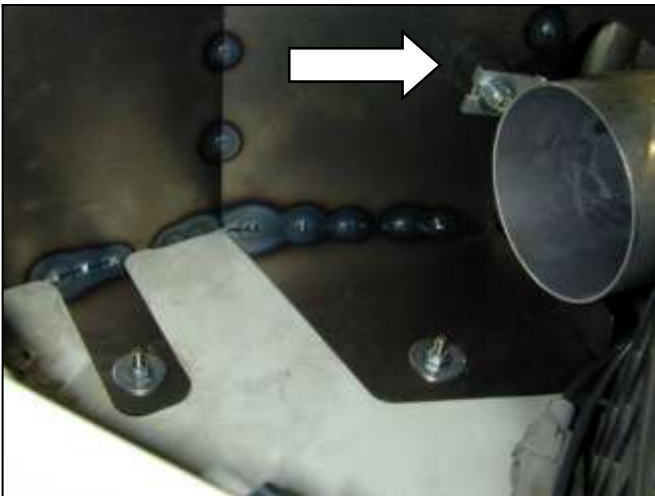
g. Install supplied vacuum cap onto the top of the exposed stud closest to the battery.



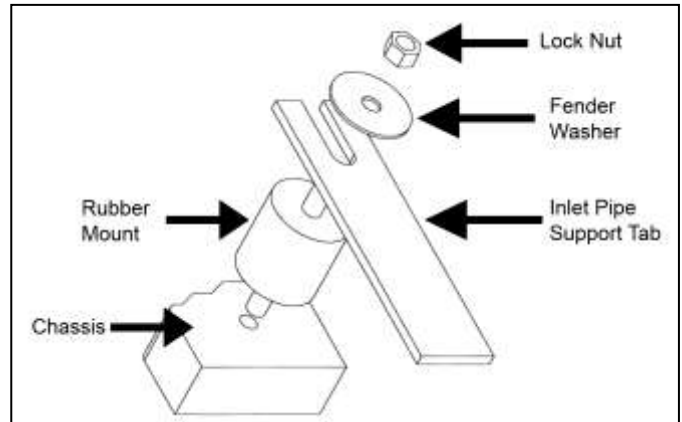
h. Install rubber gaskets to top of heat shield.



i. Confirm that the inlet pipe is free of obstructions. Attach inlet pipe onto elbow.



j. Attach rubber mount to heat shield with the supplied washer and lock nut. Secure inlet pipe tab as shown. Refer to step 'k' for proper installation.



k. Proper installation of rubber mount assembly.



l. Install the air filter as shown, tighten air filter hose clamp.



m. Check the clearance of the inlet pipe and filter with respect to the heat shield and battery. The air filter and intake pipe should not contact any surface. Tighten all hose clamps and lock nuts.



AEM® intake system installed.

4. Reassemble Vehicle

- a. Position the inlet pipes for the best fitment. Be sure that the pipes or any other components do not contact any part of the vehicle. Tighten the rubber mount, all bolts, and hose clamps.
- b. Check for proper hood clearance. Re-adjust pipes if necessary and re-tighten them.
- c. Inspect the engine bay for any loose tools and check that all fasteners that were moved or removed are properly tightened.
- d. Reconnect negative battery terminals and start engine. Let the vehicle idle for 3 minutes. Perform a final inspection before driving the vehicle.

5. CARB Sticker Placement

- a. The C.A.R.B. exemption sticker, (attached), must be visible under the hood so that an emissions inspector can see it when the vehicle is required to be tested for emissions. California requires testing every two years, other states may vary.

6. Service and Maintenance

- a. It is recommended that you service your AEM[®] Dryflow™ filter every 20,000 miles for optimum performance. Use AEM Dryflow cleaning kit part # 21-110.
- b. Use aluminum polish to clean your polished AEM[®] intake tube.
- c. Use window cleaner to clean your powder coated AEM[®] intake tube. **(NOTE: DO NOT USE aluminum polish on powder coated AEM intake tubes).**

For technical inquiries
e-mail us at
sales@aemintakes.com
or
call us at
800.992.3000

AEM Air Intake System Warranty Policy

AEM[®] warrants that its intake systems will last for the life of your vehicle. AEM will not honor this warranty due to mechanical damage (i.e. improper installation or fitment), damage from misuse, accidents or flying debris. AEM will not warrant its powder coating if the finish has been cleaned with a hydrocarbon-based solvent. The powder coating should only be cleaned with a mild soap and water solution. Proof of purchase of both the vehicle and AEM intake system is required for redemption of a warranty claim.

This warranty is limited to the repair or replacement of the AEM part. In no event shall this warranty exceed the original purchase price of the AEM part nor shall AEM be responsible for special, incidental or consequential damages or cost incurred due to the failure of this product. Warranty claims to AEM must be transportation prepaid and accompanied with dated proof of purchase. This warranty applies only to the original purchaser of product and is nontransferable. Improper use or installation, use for racing, accident, abuse, unauthorized repairs or alterations voids this warranty. AEM disclaims any liability for consequential damages due to breach of any written or implied warranty on all products manufactured by AEM. Warranty returns will only be accepted by AEM when accompanied by a valid Return Merchandise Authorization (RMA) number. Credit for defective products will be issued pending inspection. Product must be received by AEM within 30 days of the date RMA is issued.

If you have a warranty issue, please call (800) 992-3000 and our customer service department will assist you. A proof of purchase is required for all AEM warranty claims.