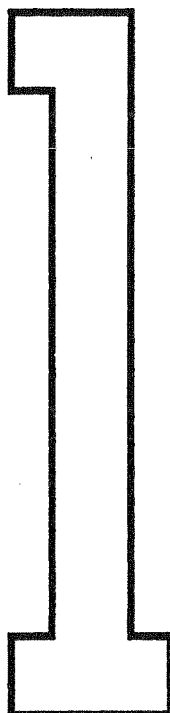
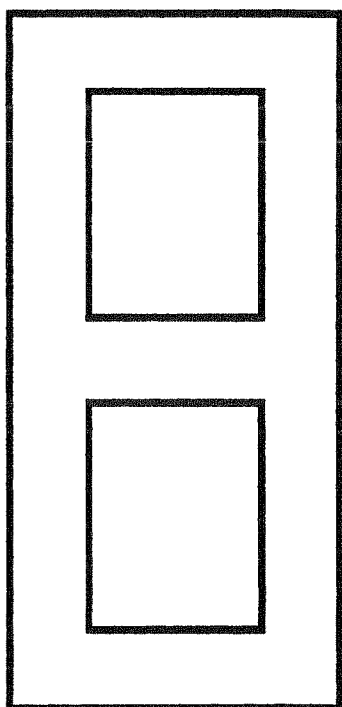
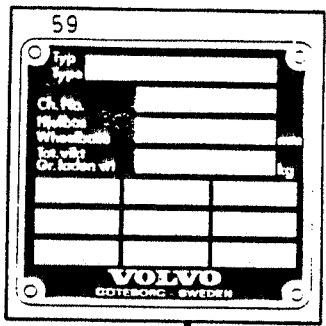
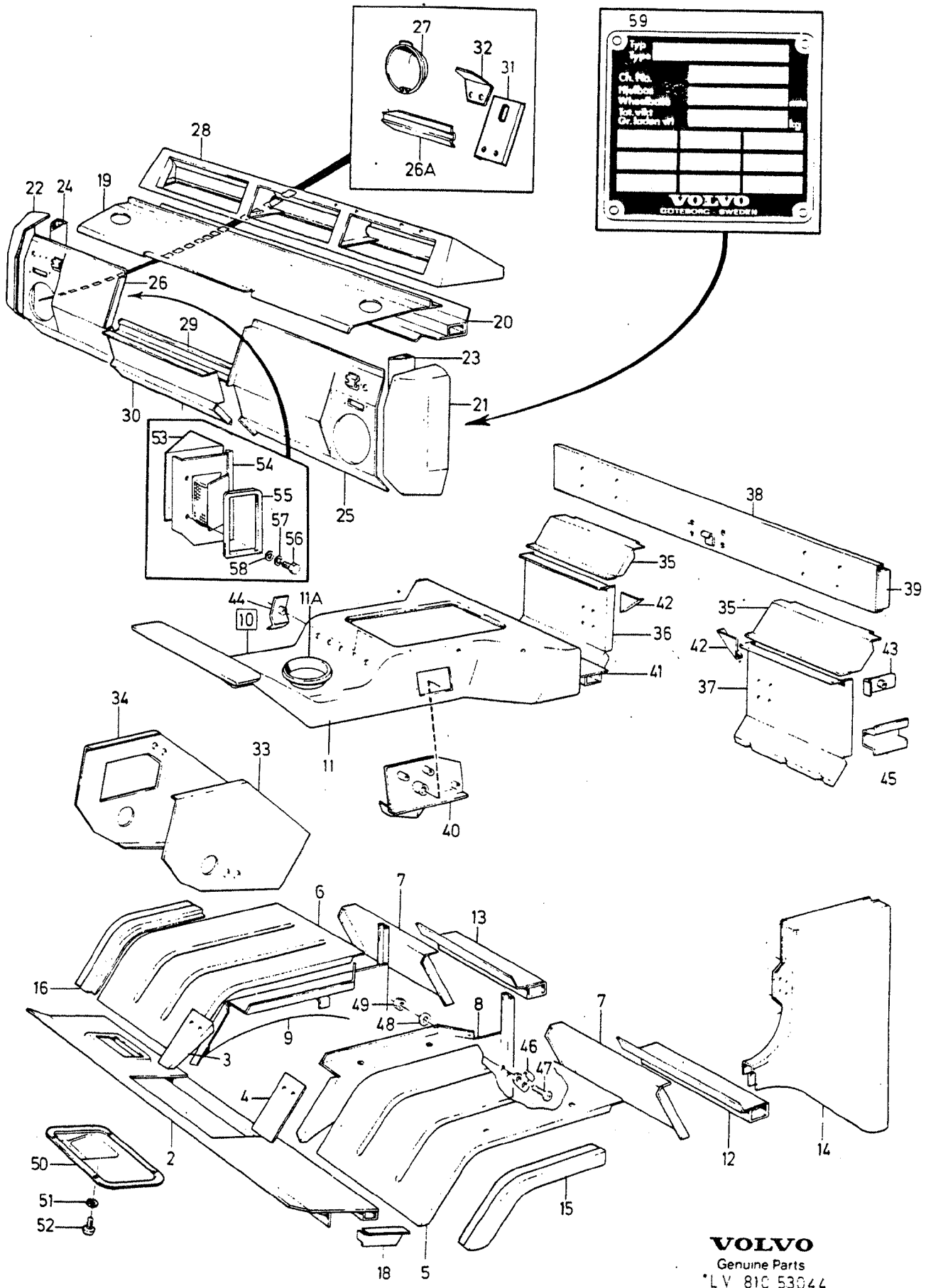


**KAROSSERISAMMANSTÄLLNING / BODY ASSEMBLY**

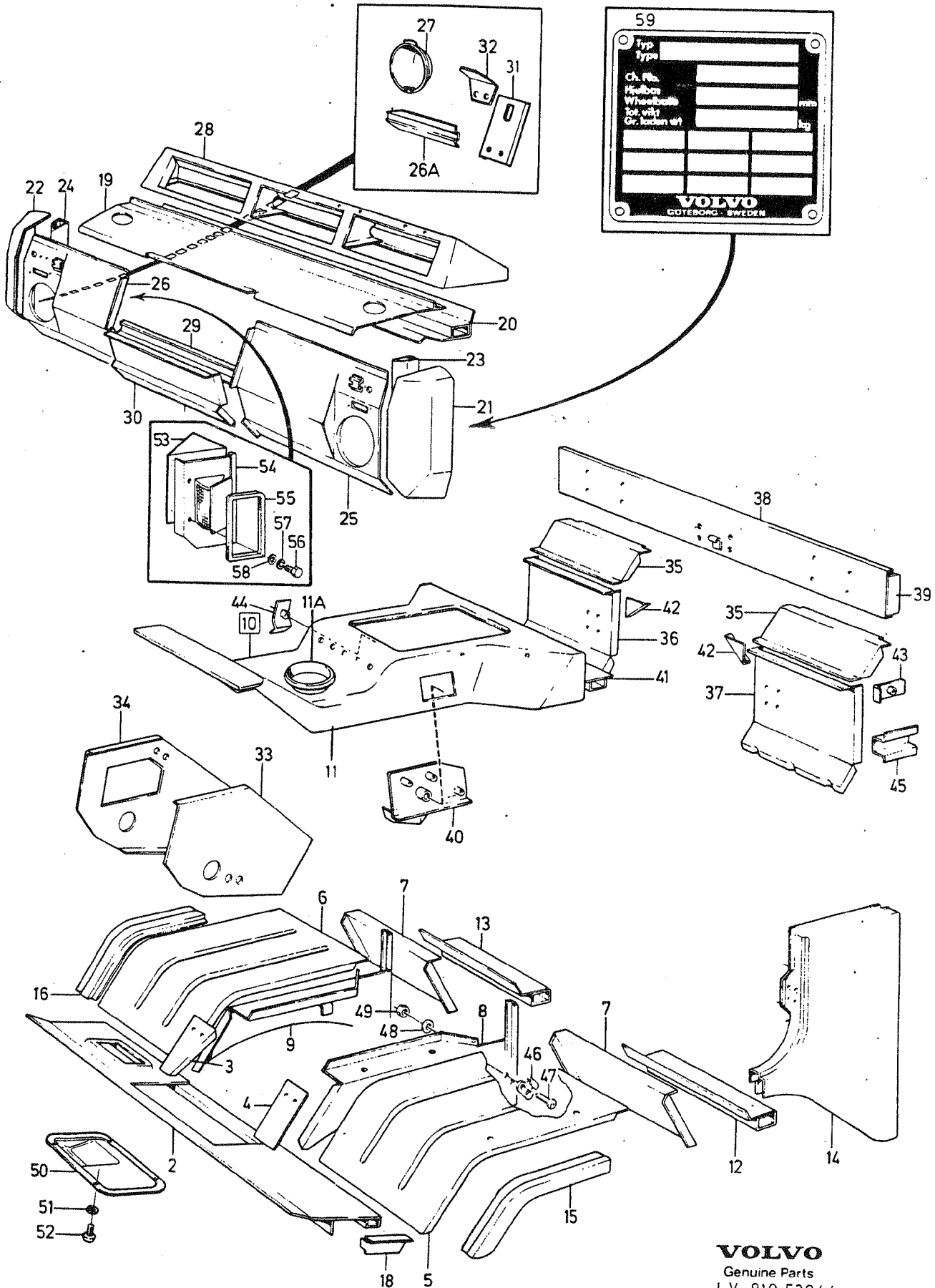


A	B	C	D	E	UNDERGRUPP		SUB GROUP		Grupp		
					KAROSSERISAMMANSTÄLLNING		BODY ASSEMBLY		Group		
									81		
									Sida		
									Page		
									425		
Pos	Artikel nr Part No.	Antal /Quantity					P S	Benämning	Description	Anmärkning Notes	S R
		A	B	C	D	E					
		-	-	-	-	-		Karossieristomme främre .....	Body frame front .....	SEE 81-427	
		-	-	-	-	-		Karossieristomme bakre .....	Body frame rear .....	SEE 81-431	
		-	-	-	-	-		Motorkåpa .....	Engine casing .....	SEE 81-435	
		-	-	-	-	-		Karossieristomme monteringsdetaljer .....	Body frame installation parts ..	SEE 81-437	
		-	-	-	-	-		Takparti främre .....	Roof section front .....	SEE 81-439	
		-	-	-	-	-		Takparti bakre .....	Roof section rear .....	SEE 81-443	
		-	-	-	-	-		Karossida .....	Body side .....	SEE 81-445	



**VOLVO**  
 Genuine Parts  
 LV 810 53044

A		L.H.D					KAROSSERISTOMME		BODY FRAME		Grupp
B		R.H.D					FRÄMRE		FRONT		Group
C											81
D											Sida
E											Page
											427
Pos	Artikel nr Part No.	Antal /Quantity					P S	Benämning	Description	Anmärkning Notes	S R
		A	B	C	D	E					
1	643235-5	1	-	-	-	-		Framparti .....	Front section .....		5
	1560545-4	-	1	-	-	-		Framparti .....	Front section .....		5
2	642780-1	1	-	-	-	-		•Golv, främre .....	•Floor, front .....		5
	1560347	-	1	-	-	-	NS	•Golv, främre .....	•Floor, front .....		
3	643331	1	1	-	-	-	OP	•Hjulhusplåt, h .....	•Wheel housing plate, r.h. ....		3
4	643332	1	1	-	-	-	OP	•Hjulhusplåt, v .....	•Wheel housing plate, l.h. ....		3
5	644446-7	1	1	-	-	-		•Hjulhus .....	•Wheel housing .....		3
6	644445-9	1	1	-	-	-		•Hjulhus .....	•Wheel housing .....		3
7	642645-6	2	2	-	-	-		•Hjulhus, bakre .....	•Wheel housing, rear .....		3
8	642608-4	1	1	-	-	-		•Hjulhus, v .....	•Wheel housing, l.h. ....		3
9	642609	1	1	-	-	-	OP	•Hjulhus, h .....	•Wheel housing, r.h. ....		3
10	643742-0	1	-	-	-	-		•Motorkåpa .....	•Engine casing .....	COMPL, FR	3
	1560629	-	1	-	-	-	NS	•Motorkåpa .....	•Engine casing .....	COMPL, FR	
11	644751-0	1	-	-	-	-		•Motorkåpa .....	•Engine casing .....	L.H	3
	644752-8	1	-	-	-	-		•Motorkåpa .....	•Engine casing .....	R.H	3
	1560634-6	-	1	-	-	-		•Motorkåpa .....	•Engine casing .....	L.H	3
	1560637-9	-	1	-	-	-		•Motorkåpa .....	•Engine casing .....	R.H	3
11a	644004-4	1	1	-	-	-		•Krage .....	•Collar .....		3
12	643236-3	1	1	-	-	-		•Balk, v .....	•Member, l.h. ....		3
13	643237-1	1	1	-	-	-		•Balk, h .....	•Member, r.h. ....		3
14	642715-7	1	1	-	-	-		•Sidoplåt, v .....	•Side panel, l.h. ....	Y	5
	642716-5	1	1	-	-	-		•Sidoplåt, h .....	•Side panel, r.h. ....	Y	5
15	1561771-5	1	1	-	-	-		•Skärmlåt, v .....	•Shield, l.h. ....		2
16	1561772-3	1	1	-	-	-		•Skärmlåt, h .....	•Shield, r.h. ....		2
18	643306-4	1	1	-	-	-		•Tröskelplåt, v .....	•Sill plate, l.h. ....		3
	643307-2	1	1	-	-	-		•Tröskelplåt, h .....	•Sill plate, r.h. ....		3
19	644966-4	1	1	-	-	-		•Torpedbalk, övre .....	•Cowl member, upper .....		5
20	643555-6	1	1	-	-	-		•Torpedbalk, undre .....	•Cowl member, lower .....		5
21	645214-8	1	1	-	-	-		•Sidostycke, v .....	•Side section, l.h. ....		3
22	645215-5	1	1	-	-	-		•Sidostycke, h .....	•Side section, r.h. ....		3
23	642906-2	1	1	-	-	-		•Innerstolpe, v .....	•Inner pillar, l.h. ....		4
24	642907-0	1	1	-	-	-		•Innerstolpe, h .....	•Inner pillar, r.h. ....		4
25	1560159-4	1	-	-	-	-		•Framstycke, v .....	•Front section, l.h. ....		2
	1560879-7	-	1	-	-	-		•Framstycke, v .....	•Front section, l.h. ....		2
26	1560160-2	1	-	-	-	-		•Framstycke, h .....	•Front section, r.h. ....		2
	1560881-3	-	1	-	-	-		•Framstycke, h .....	•Front section, r.h. ....		2
26a	643538-2	1	-	-	-	-		•Förstärkningsplåt .....	•Reinforcing plate .....		3
	643540-8	-	1	-	-	-		•Frontförstärkning .....	•Front reinforcement .....		3
27	638181-8	2	2	-	-	-		•Kåpa .....	•Casing .....		2
28	644649-6	1	1	-	-	-		•Instrumentbräda .....	•Dashboard .....		5
29	643542-4	1	1	-	-	-		•Mellanbalk .....	•Intermediate member .....		3
30	644312-1	1	1	-	-	-		•Framstycke .....	•Front section .....	M	2
31	1561821-8	1	1	-	-	-		•Fästbalk .....	•Attaching member .....		4
32		-	1	-	-	-	NS	•Konsol .....	•Bracket .....	R.H	
33	642876-7	1	-	-	-	-		•Sidoplåt, v .....	•Side panel, l.h. ....		5
	1560552	-	1	-	-	-	NS	•Sidoplåt, v .....	•Side panel, l.h. ....		
34	642874-2	1	-	-	-	-		•Sidoplåt, h .....	•Side panel, r.h. ....		5
	1560551	-	1	-	-	-	NS	•Sidoplåt, h .....	•Side panel, r.h. ....		
35	642485-7	2	2	-	-	-		•Mellanvägg .....	•Baffle .....	UPPER	3
36	644319-6	1	1	-	-	-		•Mellanvägg .....	•Partition wall .....	LOWER, R.H	3
37	644320-4	1	1	-	-	-		•Mellanvägg .....	•Baffle .....	LOWER, L.H	3
38	642479-0	1	1	-	-	-		•Balk, inre .....	•Member, inner .....		5
39	642481-6	1	1	-	-	-		•Balk, yttre .....	•Member, outer .....		5
40	642625-8	1	-	-	-	-		•Fästplatta .....	•Attaching plate .....		3
	1560603	-	1	-	-	-	NS	•Fästplatta .....	•Attaching plate .....		
41	643960	1	1	-	-	-	OP	•Stagbalk .....	•Stay member .....		5
42		4	4	-	-	-	NS	•Tätning .....	•Seal .....		
43	644792-4	1	1	-	-	-		•Fäste .....	•Anchorage .....		3
44	644166-1	1	1	-	-	-		•Mutterplåt .....	•Nut plate .....		3
45	644790-8	1	1	-	-	-		•Profil .....	•Profile .....		3
46	634506-0	2	2	-	-	-		Fäst krok .....	Attaching hook .....	L.H.D CH-2757.	4
	634506-0	1	-	-	-	-		Fäst krok .....	Attaching hook .....	CH 2758-	4

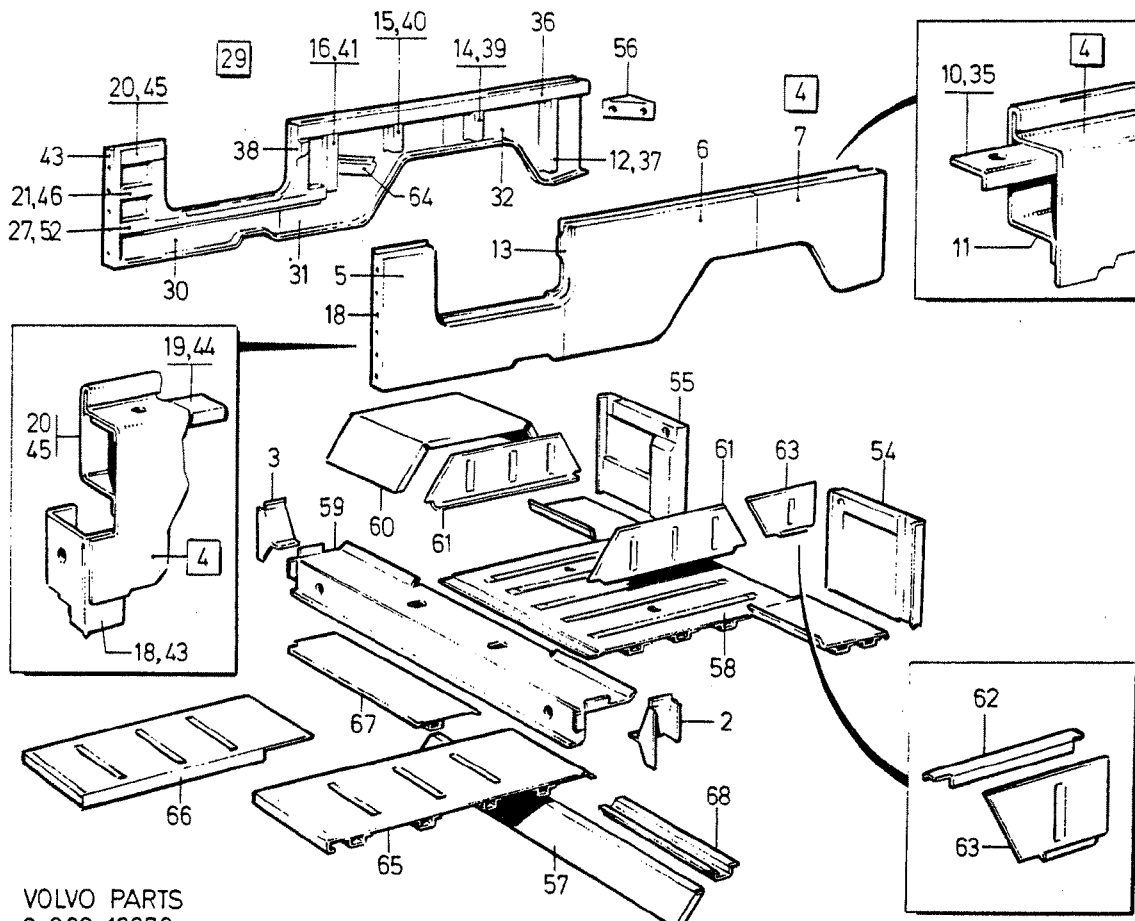
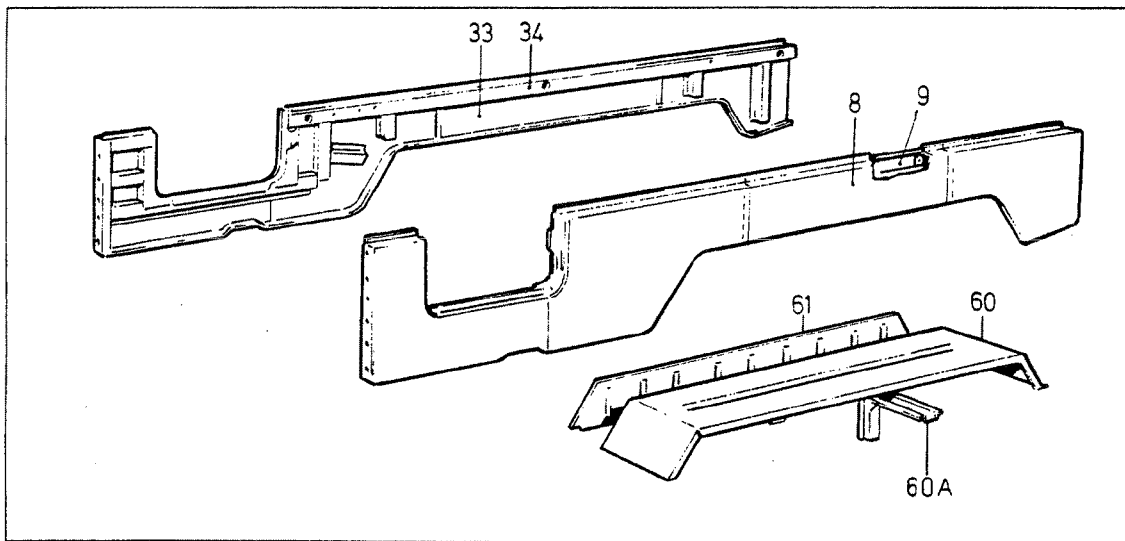
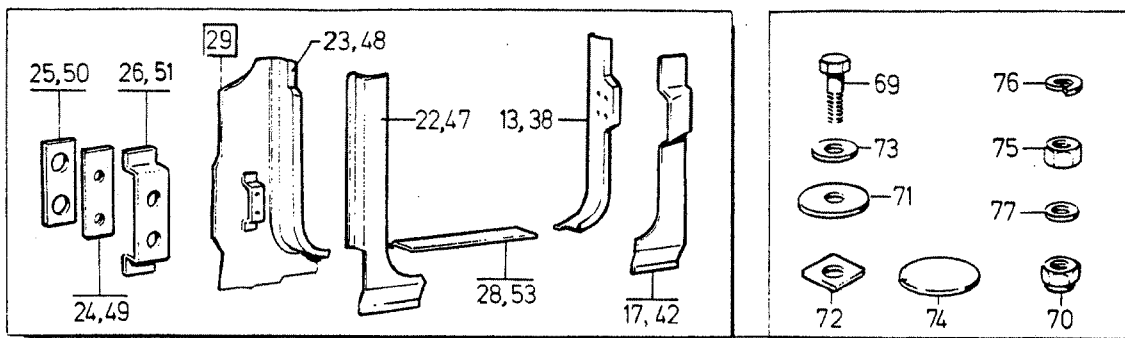


**VOLVO**  
 Genuine Parts  
 LV 810 53044

<b>A</b>	L.H.D	KAROSSERISTOMME FRÄMRE	BODY FRAME FRONT	Grupp Group
<b>B</b>	R.H.D			81
<b>C</b>				Sida Page
<b>D</b>				429
<b>E</b>				

Pos	Artikel nr Part No.	Antal /Quantity					P S	Benämning	Description	Anmärkning Notes	S R
		A	B	C	D	E					
	634506-0	-	1	-	-	-		Fästkrok .....	Attaching hook .....	SPCL S-3652, S-3653	4
	1562820-9	1	-	-	-	-		Fästkrok .....	Attaching hook .....	CH 2758-	3
	1562820-9	-	1	-	-	-		Fästkrok .....	Attaching hook .....	SPCL S-3652, S-3653	3
47	950022-4	X	X	-	-	-		Skruv .....	Screw .....		2
48	941905-2	X	X	-	-	-		Fjäderbricka .....	Spring washer .....		2
49	940092-0	X	X	-	-	-		Mutter .....	Nut .....		2
50	643740-4	1	-	-	-	-		Kåpa .....	Casing .....		3
	1560404-4	-	1	-	-	-		Kåpa .....	Casing .....		3
51	950045-5	4	4	-	-	-		Skruv .....	Screw .....		2
52	941906-0	4	4	-	-	-		Fjäderbricka .....	Spring washer .....		2
53		1	1	-	-	-		Plåt .....	Plate .....	SEE 87-493	
54	1561648-5	-	1	-	-	-		Ventilationslucka .....	Ventilation hatch .....	INCL S-3758	3
	1563862-0	-	1	-	-	-		• Lock .....	• Cover .....		5
55	311650-6	-	1	-	-	-		Packning .....	Gasket .....	INCL S-3758	3
56	950045-5	-	4	-	-	-		Skruv .....	Screw .....		2
57	941900-3	-	4	-	-	-		O-ring .....	O-ring .....		2
58	960140-2	-	4	-	-	-		Bricka .....	Washer .....		2
59	1509393-3	1	1	-	-	-		Produktskyll .....	Identification plate .....		2

1

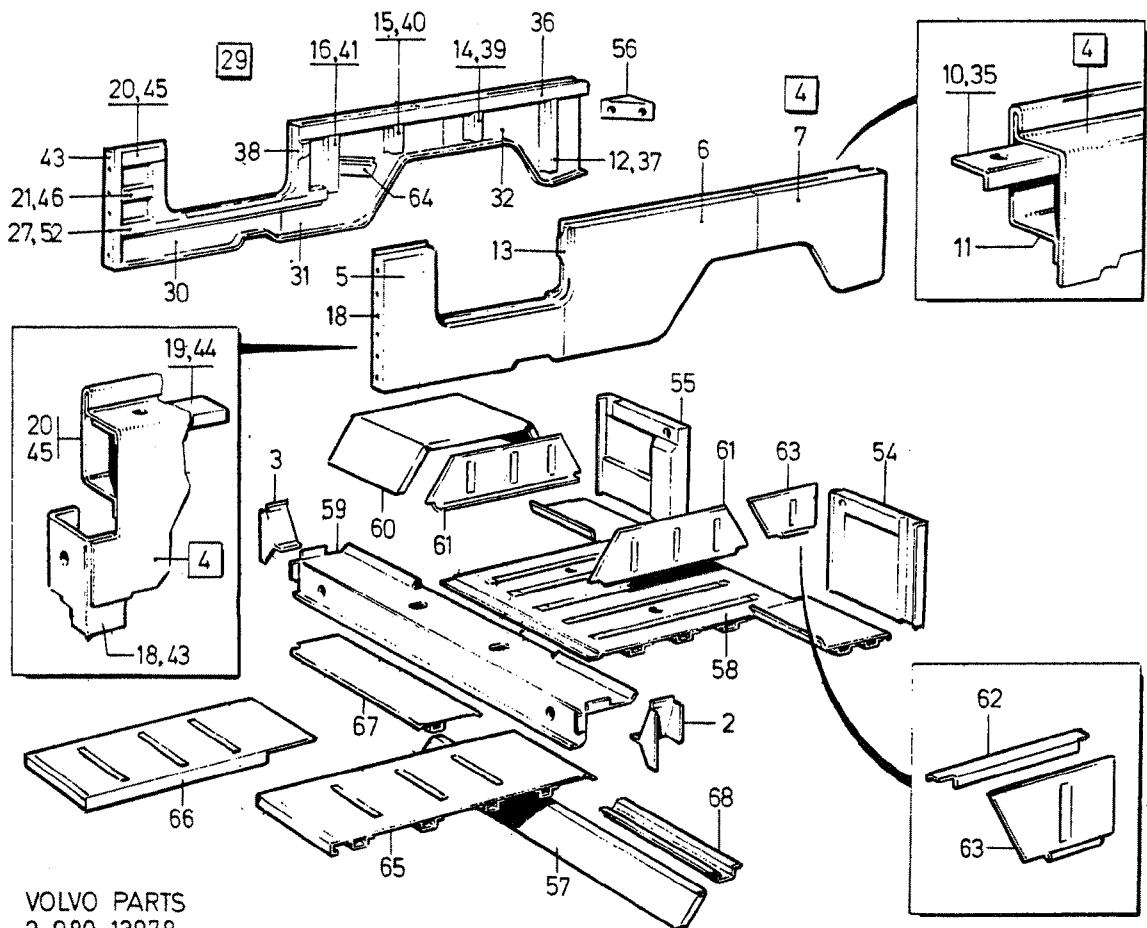
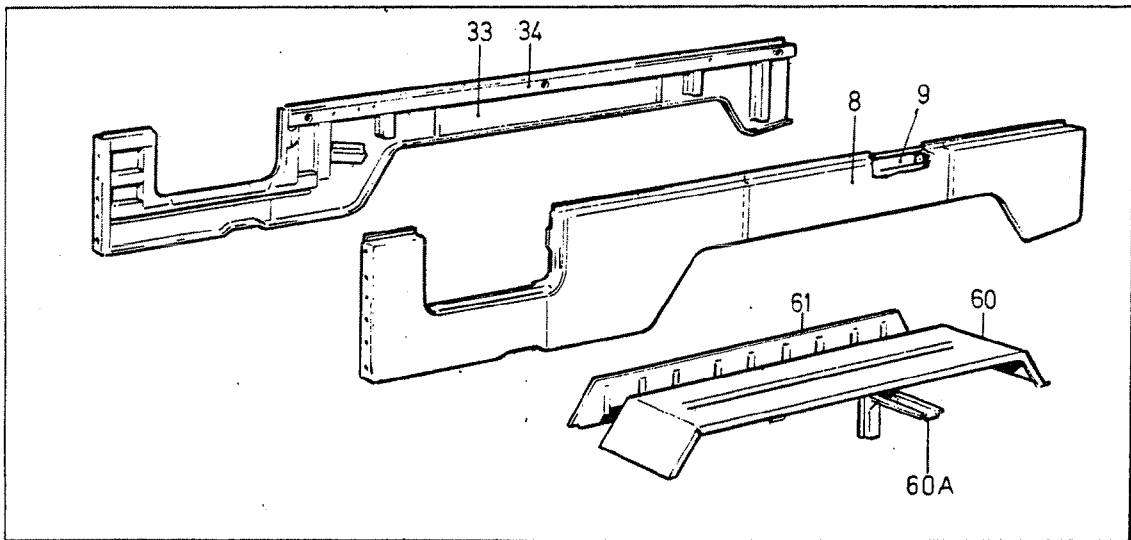
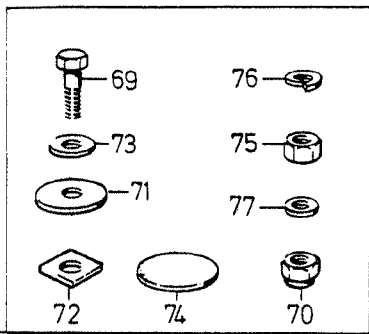
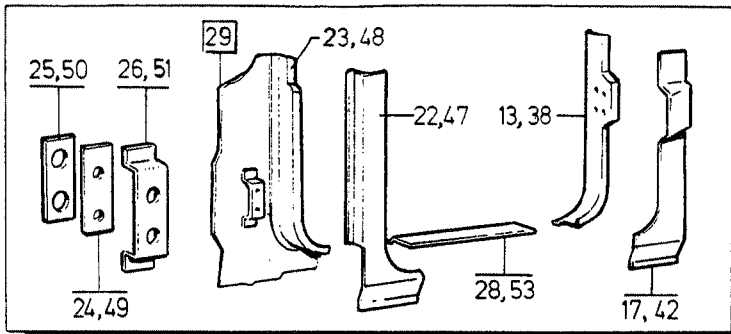


VOLVO PARTS  
2 080 13978

A	4X4	KAROSSERISTOMME BAKRE					BODY FRAME REAR		Grupp Group		
	B								6X6	81	
C		L.H.D					Anmärkning Notes		Sida Page		
D									431		
E											
Pos	Artikel nr Part No.	Antal /Quantity					P S	Benämning	Description	Anmärkning Notes	S R
		A	B	C	D	E					
1	643965 1560361	1	-	-	-	-	OP	Bakparti .....	Rear section .....		3
							NS	Bakparti .....	Rear section .....		3
2	639652-7	1	1	-	-	-		•Förstärkning, v .....	•Reinforcement, l.h. ....		3
3	639653-5	1	1	-	-	-		•Förstärkning, h .....	•Reinforcement, r.h. ....		3
4	643966-5 1560058	1	-	-	-	-		•Sidoplåt, v .....	•Side panel, l.h. ....		4
							NS	•Sidoplåt, v .....	•Side panel, l.h. ....		4
5	1561325-0	1	1	-	-	-		••Sidoplåt, v .....	••Side panel, l.h. ....		5
6	1561323-5	1	1	-	-	-		••Sidoplåt, v .....	••Side panel, l.h. ....		3
7	1561321-9	1	1	-	-	-		••Sidoplåt, v .....	••Side panel, l.h. ....		3
8	1560012-5	-	1	-	-	-		••Plåt .....	••Plate .....		3
9	1560020-8	-	1	-	-	-		••Balk, övre .....	••Member, upper .....		5
10	643981-4 1560036-4	1	-	-	-	-		••Förstärkning, v .....	••Reinforcement, l.h. ....		3
								••Förstärkning, v .....	••Reinforcement, l.h. ....		3
11	643970-7 1565471-8	1	-	-	-	-		••Balk, övre .....	••Member, upper .....	CANVAS	3
								••Balk, övre .....	••Member, upper .....		3
12	643974-9	1	1	-	-	-		••Förstärkningsskena .....	••Reinforcing rail .....		3
13	643975-6	1	1	-	-	-		••Dörrstolpe, v .....	••Door pillar, l.h. ....		3
14	639651-9	1	1	-	-	-		••Fästbalk .....	••Attaching member .....		3
15	638544-7	1	1	-	-	-		••Fästbalk .....	••Attaching member .....		3
16	639650-1	1	1	-	-	-		••Balk .....	••Member .....		5
17	643979-8	1	1	-	-	-		••Dörrstolpe, v .....	••Door pillar, l.h. ....		3
18	643992-1	1	1	-	-	-		••Stolpe, v .....	••Pillar, l.h. ....		3
19	643994-7	1	1	-	-	-		••Förstärkningsplåt .....	••Reinforcing plate .....		3
20	643996-2	1	1	-	-	-		••Balk, v .....	••Member, l.h. ....		3
21	640567	1	1	-	-	-	OP	••Balk .....	••Member .....		5
22	639647-7 639646-9	1	-	-	-	-		••Dörrstolpe .....	••Door pillar .....		3
								••Dörrstolpe .....	••Door pillar .....		3
23	641489-0 641488-2	1	-	-	-	-		••Dörrstolpe .....	••Door pillar .....		3
								••Dörrstolpe .....	••Door pillar .....		3
24	639499-3	2	1	-	-	-		••Järn .....	••Iron .....		5
25		2	1	-	-	-	NS	••Platta .....	••Plate .....		3
26	640572-4	2	1	-	-	-		••Hållare .....	••Retainer .....		3
27	641820-6	1	1	-	-	-		••Balk .....	••Member .....		5
28	641826-3	1	1	-	-	-		••Tröskelplåt .....	••Sill plate .....		3
29	643967-3 1560059	1	-	-	-	-		••Sidoplåt, h .....	••Side panel, r.h. ....		4
							NS	••Sidoplåt, h .....	••Side panel, r.h. ....		4
30	1561326-8	1	1	-	-	-		••Sidoplåt, h .....	••Side panel, r.h. ....		5
31	1561324-3	1	1	-	-	-		••Sidoplåt, h .....	••Side panel, r.h. ....		3
32	1561322-7	1	1	-	-	-		••Sidoplåt, h .....	••Side panel, r.h. ....		3
33	1560012-5	-	1	-	-	-		••Plåt .....	••Plate .....		3
34	1560021-6	-	1	-	-	-		••Balk, övre .....	••Member, upper .....		5
35	643982-2 1560037-2	1	-	-	-	-		••Förstärkning, h .....	••Reinforcement, r.h. ....		3
								••Förstärkning, h .....	••Reinforcement, r.h. ....		3
36	643971-5 1565472-6	1	-	-	-	-		••Balk, övre .....	••Member, upper .....	CANVAS	3
								••Balk, övre .....	••Member, upper .....		3
37	643974-9	1	1	-	-	-		••Förstärkningsskena .....	••Reinforcing rail .....		3
38	643976-4	1	1	-	-	-		••Dörrstolpe, h .....	••Door pillar, r.h. ....		3
39	639651-9	1	1	-	-	-		••Fästbalk .....	••Attaching member .....		3
40	638544-7	1	1	-	-	-		••Fästbalk .....	••Attaching member .....		3
41	639650-1	1	1	-	-	-		••Balk .....	••Member .....		5
42	643980-6	1	1	-	-	-		••Dörrstolpe, h .....	••Door pillar, r.h. ....		3
43	643993-9	1	1	-	-	-		••Stolpe, h .....	••Pillar, r.h. ....		3
44	643994-7	1	1	-	-	-		••Förstärkningsplåt .....	••Reinforcing plate .....		3
45	643997-0	1	1	-	-	-		••Balk, h .....	••Member, r.h. ....		3
46	640567	1	1	-	-	-	OP	••Balk .....	••Member .....		5
47	639646-9 639647-7	1	-	-	-	-		••Dörrstolpe .....	••Door pillar .....		3
								••Dörrstolpe .....	••Door pillar .....		3
48	641488-2 641489-0	1	-	-	-	-		••Dörrstolpe .....	••Door pillar .....		3
								••Dörrstolpe .....	••Door pillar .....		3
49	639499-3	2	1	-	-	-		••Järn .....	••Iron .....		5
50		2	1	-	-	-	NS	••Platta .....	••Plate .....		3
51	640572-4	2	1	-	-	-		••Hållare .....	••Retainer .....		3

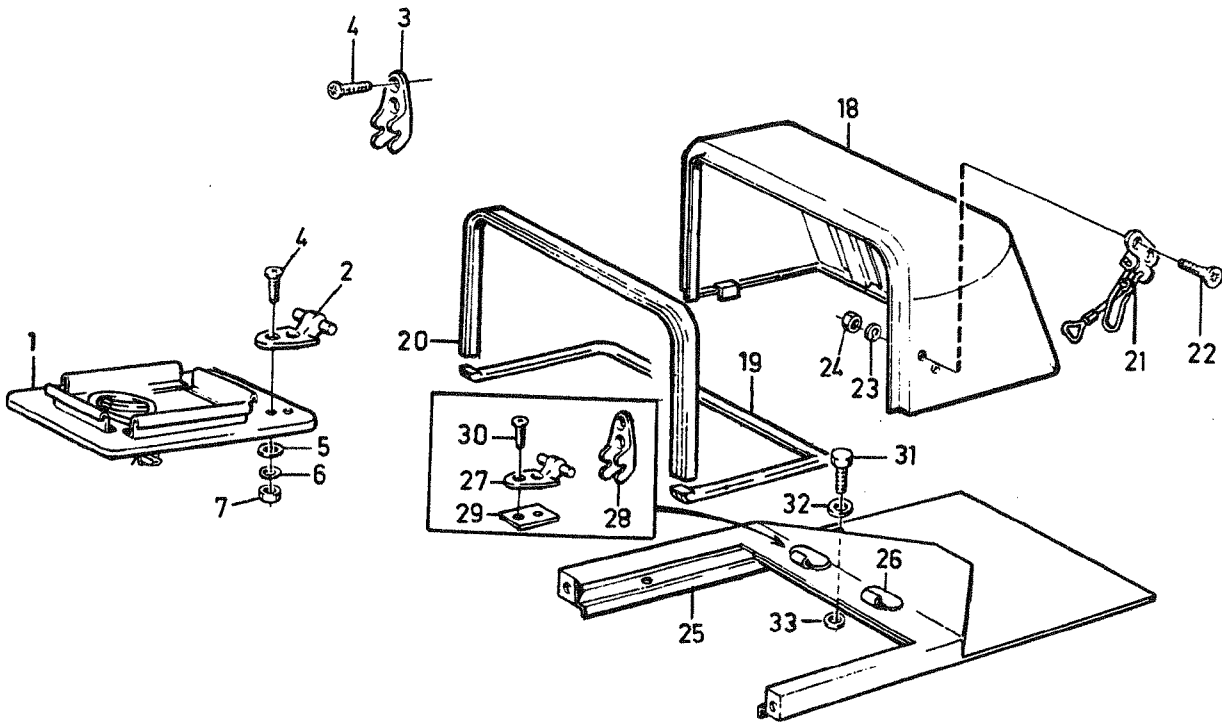
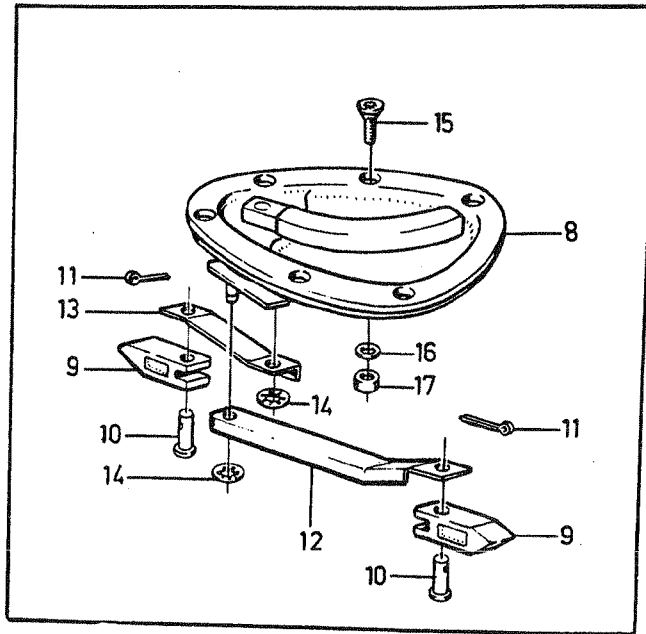


1



VOLVO PARTS  
2 080 13978

A	4X4	KAROSSERISTOMME BAKRE					BODY FRAME REAR		L.H.D	Grupp Group	
	B									6X6	81
C									Sida Page		
D									433		
E											
Pos	Artikel nr Part No.	Antal /Quantity					P S	Benämning	Description	Anmärkning Notes	S R
		A	B	C	D	E					
52	641821-4	1	1	-	-	-	••Balk .....	••Member .....		5	
53	641826-3	1	1	-	-	-	••Tröskelplåt .....	••Sill plate .....		3	
54	644025-9	1	1	-	-	-	•Bakstycke, v .....	•Rear section, l.h. ....		3	
55	644031-7	1	1	-	-	-	•Bakstycke, h .....	•Rear section, r.h. ....		3	
56	639635-2	2	2	-	-	-	•Hörnförstärkning .....	•Corner reinforcement .....		3	
57	644059-8	1	1	-	-	-	•Plåt .....	•Plate .....		3	
58	644007-7	1	-	-	-	-	•Golv .....	•Floor .....		5	
	(644930)	-	1	-	-	-	SP •Golv .....	•Floor .....	REPL 1PCS 1563995-8, 1PCS 1565200-1.	6	
	1563995-8	-	1	-	-	-	•Golv .....	•Floor .....		5	
	1565200-1	-	1	-	-	-	•Golv .....	•Floor .....		5	
59	644078-8	1	-	-	-	-	•Fotsteg .....	•Foot step .....		3	
	644079-6	-	1	-	-	-	•Golvparti .....	•Floor section .....		3	
60	644074-7	2	-	-	-	-	•Hjulhus .....	•Wheel housing .....		3	
	644973-0	-	2	-	-	-	•Hjulhus .....	•Wheel housing .....		5	
60a	644979-7	-	4	-	-	-	•Stagbalk .....	•Stay member .....		3	
61	644076-2	2	-	-	-	-	•Hjulhusplåt .....	•Wheel housing plate .....		5	
	644972-2	-	2	-	-	-	•Hjulhusplåt .....	•Wheel housing plate .....		5	
62	1561849-9	1	1	-	-	-	•Stagplåt, v .....	•Stay plate, l.h. ....		3	
63	1561850-7	1	1	-	-	-	•Stagplåt, h .....	•Stay plate, r.h. ....		3	
64		2	2	-	-	-	NS •Balk .....	•Member .....			
65	1560938-1	1	1	-	-	-	•Golv, v .....	•Floor, l.h. ....		5	
66	1560939-9	1	1	-	-	-	•Golv, h .....	•Floor, r.h. ....		5	
67	1560940-7	1	1	-	-	-	•Golv, bakre .....	•Floor, rear .....		5	
68	644550-6	1	1	-	-	-	•Balk .....	•Member .....		5	
69	955550-9	2	4	-	-	-	Skruv .....	Screw .....		2	
	940135-7	20	-	-	-	-	Skruv .....	Screw .....		2	
	955524-4	-	20	-	-	-	Skruv .....	Screw .....		2	
	959809-5	2	2	-	-	-	Skruv .....	Screw .....		2	
70	950355-8	4	6	-	-	-	Mutter .....	Nut .....		2	
71	120065-8	4	8	-	-	-	Bricka .....	Washer .....		2	
72	1561871-3	4	6	-	-	-	Mellanlägg .....	Spacer .....		3	
	641165-6	-	2	-	-	-	Mellanlägg .....	Spacer .....		3	
73	960144-4	2	2	-	-	-	Bricka .....	Washer .....		2	
74	1562819-1	10	-	-	-	-	Gummikudde .....	Rubber cushion .....		3	
	1562819-1	-	10	-	-	-	Gummikudde .....	Rubber cushion .....	L.H.D CH-5290. R.H.D.	3	
	1565641-6	-	10	-	-	-	Gummikudde .....	Rubber cushion .....	L.H.D CH 5291-	3	
	641165-6	-	4	-	-	-	Mellanlägg .....	Spacer .....	L.H.D CH 5291-	3	
75	955826-3	18	18	-	-	-	Mutter .....	Nut .....		2	
76	941907-8	20	20	-	-	-	Fjäderbricka .....	Spring washer .....		2	
77	955894-1	38	38	-	-	-	Bricka .....	Washer .....		2	
	190621-3	2	2	-	-	-	Bricka .....	Washer .....		2	

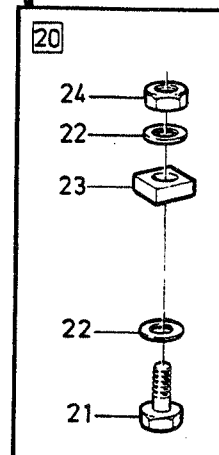
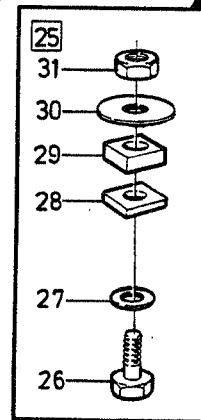
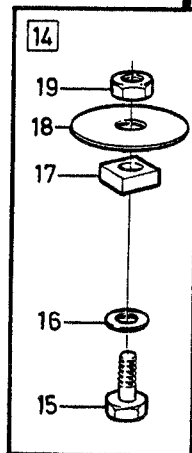
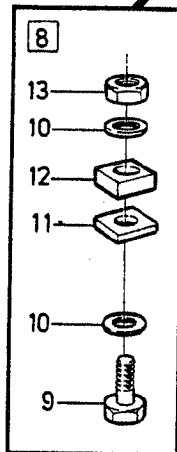
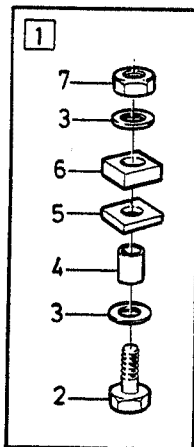
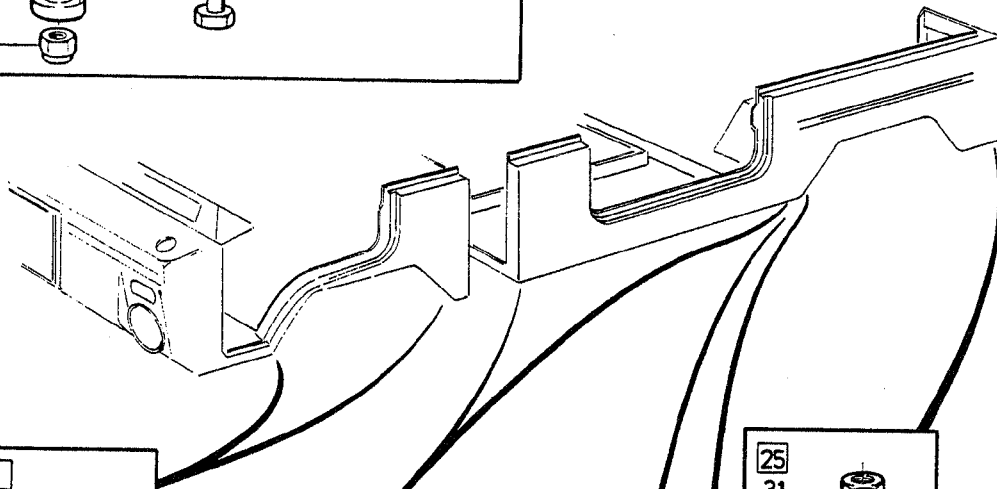
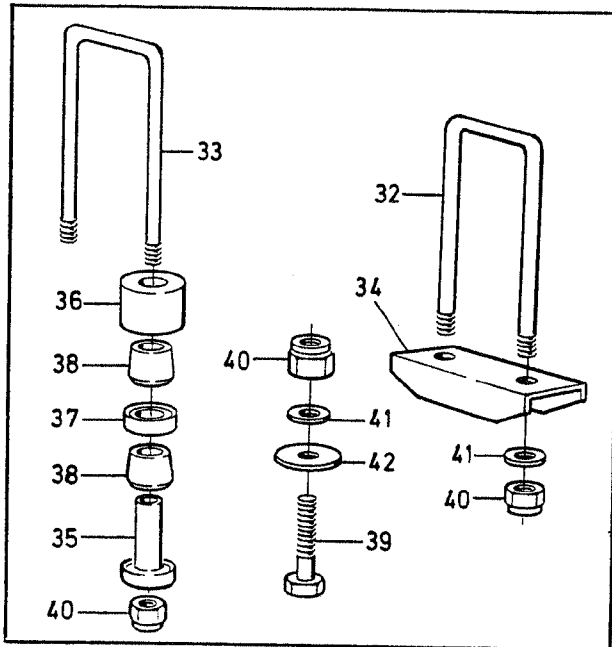


VOLVO PARTS  
2 080 35004  
(31:2)

A	L.H.D					P	S	Benämning	Description	Anmärkning Notes	S						
	B	R.H.D										MOTORKÅPA	ENGINE CASING	Grupp			
		C												Group			
			D											81			
				E										Sida			
									Page								
									435								
Pos	Artikel nr Part No.	Antal /Quantity															
		A	B	C	D	E											
1	644612-4	1	1	-	-	-		Motorlucka .....	Engine cover .....		5						
2	321607-4	2	2	-	-	-		Gångjärn .....	Hinge .....		4						
3	321608-2	2	2	-	-	-		Gångjärn .....	Hinge .....		4						
4	950251-9	8	8	-	-	-		Skruv .....	Screw .....		2						
5	960140-2	2	2	-	-	-		Bricka .....	Washer .....		2						
6	941906-0	4	4	-	-	-		Fjäderbricka .....	Spring washer .....		2						
7	955825-5	4	4	-	-	-		Mutter .....	Nut .....		2						
8	644617-3	1	1	-	-	-		Kåpa .....	Casing .....		3						
9	644620-7	2	2	-	-	-		Spärr .....	Inhibitor .....		3						
10	913099-8	2	2	-	-	-		Bult .....	Bolt .....		2						
11	907819-7	2	2	-	-	-		Pinne .....	Pin .....		2						
12	644622-3	1	1	-	-	-		Länkarm .....	Link arm .....		3						
13	644652-0	1	1	-	-	-		Länkarm .....	Link arm .....		3						
14	945780-5	1	1	-	-	-		Hållare .....	Retainer .....	(191694)	2						
15	950227	6	6	-	-	-	NS	Skruv .....	Screw .....		5						
16	941905-2	6	6	-	-	-		Fjäderbricka .....	Spring washer .....		2						
17	940092-0	6	6	-	-	-		Mutter .....	Nut .....		2						
18	(644115)	1	-	-	-	-	SP	Motorkåpa, bakre .....	Engine casing, rear .....	1) CH-2757	5						
	1562981-9	1	-	-	-	-		Motorkåpa, bakre .....	Engine casing, rear .....	CH 2758-	5						
	(644115)	-	1	-	-	-	SP	Motorkåpa, bakre .....	Engine casing, rear .....	1)	5						
	1562981-9	-	1	-	-	-		Motorkåpa, bakre .....	Engine casing, rear .....	SPCL S-3652,S-3653	5						
19	1562926-4	X	X	-	-	-		Tätninglist .....	Sealing moulding .....	LG 1422	2						
20	(1562949)	1	1	-	-	-	SP	Tätninglist .....	Sealing moulding .....	REPL 1PCS 1562926-4	2						
21	1505787-0	X	X	-	-	-		Excenterlås .....	Eccentric lock .....		4						
22	950022-4	X	X	-	-	-		Skruv .....	Screw .....		2						
23	941905-2	X	X	-	-	-		Fjäderbricka .....	Spring washer .....		2						
24	940092-0	X	X	-	-	-		Mutter .....	Nut .....		2						
25	(644164)	1	-	-	-	-	SP	Kåpa .....	Cover .....	2) CH-2757	3						
	1562978-5	1	-	-	-	-		Kåpa .....	Casing .....	CH 2758-	3						
	(644164)	-	1	-	-	-	SP	Kåpa .....	Cover .....	2)	3						
	1562978-5	-	1	-	-	-		Kåpa .....	Casing .....	SPCL S-3652,S-3653	3						
26	1561860-6	2	2	-	-	-		• Fästkrok .....	• Attaching hook .....	FOR 644164	3						
27	321607-4	2	-	-	-	-		Gångjärn .....	Hinge .....		4						
	321607-4	-	2	-	-	-		Gångjärn .....	Hinge .....	SPCL S-3652,S-3653	4						
28	321608-2	2	-	-	-	-		Gångjärn .....	Hinge .....		4						
	321608-2	-	2	-	-	-		Gångjärn .....	Hinge .....	SPCL S-3652,S-3653	4						
29	1562829-0	4	-	-	-	-		Mutterplatta .....	Nut plate .....		3						
	1562829-0	-	4	-	-	-		Mutterplatta .....	Nut plate .....	SPCL S-3652,S-3653	3						
30	950251-9	8	-	-	-	-		Skruv .....	Screw .....		2						
	950251-9	-	8	-	-	-		Skruv .....	Screw .....	SPCL S-3653,S-3653	2						

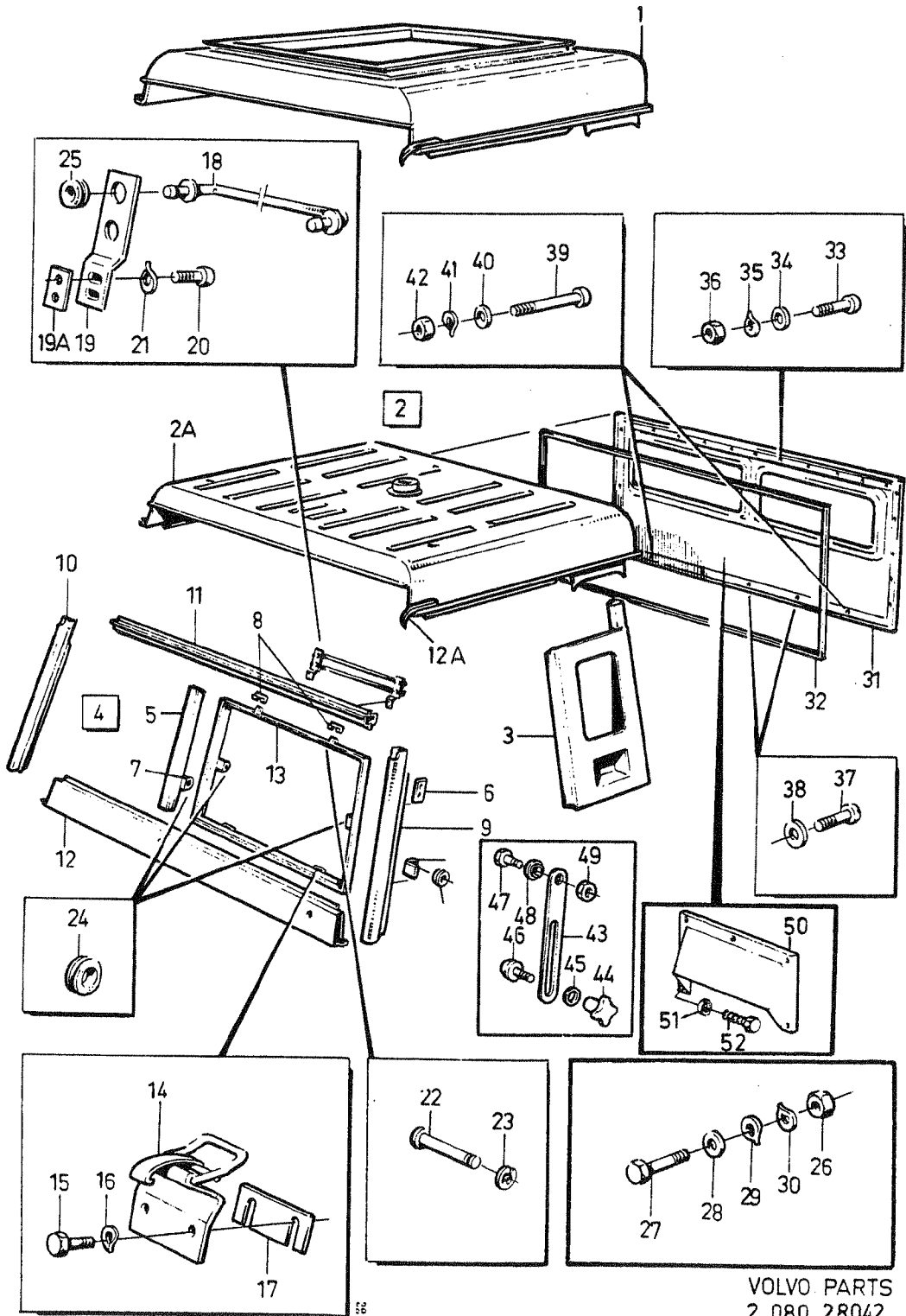
1) REPL 1PCS 1562981-9, 2PCS 321607-4, 2PCS 321608-2, 4PCS 1562829-0, 8PCS 950251-9.

2) REPL 1PCS 1562978-5, 2PCS 321607-4, 2PCS 321608-2, 4PCS 1562829-0, 8PCS 950251-9.



VOLVO PARTS  
2 080 35005  
(33:4)

A							KAROSSERISTOMME		BODY FRAME		Grupp
B							MONTERINGSDETALJER		INSTALLATION PARTS		Group
C											81
D											Sida
E											Page
											437
Pos	Artikel nr Part No.	Antal /Quantity					P S	Benämning	Description	Anmärkning Notes	S R
		A	B	C	D	E					
1		1	1	1	1	-	NS	Monteringssats .....	Mounting kit .....		
2	955549-1	X	X	X	-	-		• Skruv .....	• Screw .....	7/16 LG 45	2
	955556-6	X	X	X	X	-		• Skruv .....	• Screw .....	7/16 LG 89	2
	940160-5	-	X	-	X	-		• Skruv .....	• Screw .....	7/16 LG 38	2
3	120065-8	X	X	X	X	-		• Bricka .....	• Washer .....		2
4	1566835-3	X	X	X	X	-		• Mellanlägg .....	• Spacer .....		4
5	641165-6	X	X	X	X	-		• Mellanlägg .....	• Spacer .....	THK 4	3
6	1561871-3	X	X	X	X	-		• Mellanlägg .....	• Spacer .....	THK 8	3
7	950355-8	X	X	X	X	-		• Mutter .....	• Nut .....	7/16	2
8		1	-	-	-	-	NS	Monteringssats .....	Mounting kit .....	6X6 HARDTOP	
9	955550-9	X	-	-	-	-		• Skruv .....	• Screw .....	7/16 LG 51	2
10	120065-8	X	-	-	-	-		• Bricka .....	• Washer .....		2
11	641165-6	X	-	-	-	-		• Mellanlägg .....	• Spacer .....	THK 4	3
12	1561871-3	X	-	-	-	-		• Mellanlägg .....	• Spacer .....	THK 8	3
13	950355-8	X	-	-	-	-		• Mutter .....	• Nut .....	7/16	2
14		1	-	-	-	-	NS	Monteringssats .....	Mounting kit .....	4X4	
15	959809-5	X	-	-	-	-		• Skruv .....	• Screw .....	7/16 LG 190	2
16	960144-4	X	-	-	-	-		• Bricka .....	• Washer .....	O.DIA 30	2
	18725-2	X	-	-	-	-		• Bricka .....	• Washer .....	O.DIA 23	2
17	1561871-3	X	-	-	-	-		• Mellanlägg .....	• Spacer .....	THK 8	3
18	190621-3	X	-	-	-	-		• Bricka .....	• Washer .....	O.DIA 60	2
19	950355-8	X	-	-	-	-		• Mutter .....	• Nut .....	7/16	2
20		1	-	-	-	-	NS	Monteringssats .....	Mounting kit .....	4X4	
21	955550-9	X	-	X	X	-	NS	Monteringssats .....	Mounting kit .....	7/16 LG 51	2
22	120065-8	X	-	X	X	-		• Bricka .....	• Washer .....		2
23	1561871-3	X	-	X	X	-		• Mellanlägg .....	• Spacer .....	THK 8	3
24	950355-8	X	-	X	X	-		• Mutter .....	• Nut .....	7/16	2
25		-	1	-	-	-	NS	Monteringssats .....	Mounting kit .....	HARDTOP	
26	959809-5	X	-	X	X	-	NS	Monteringssats .....	Mounting kit .....	7/16 LG 190	2
27	960144-4	X	-	-	-	-		• Bricka .....	• Washer .....	O.DIA 30	2
28	641165-6	X	-	X	X	-		• Mellanlägg .....	• Spacer .....	THK 4	3
29	1561871-3	X	-	X	X	-		• Mellanlägg .....	• Spacer .....	THK 8	3
30	190621-3	X	-	X	X	-		• Bricka .....	• Washer .....	O.DIA 60	2
31	950355-8	X	-	X	X	-		• Mutter .....	• Nut .....	7/16	2
32	1566682-9	4	4	-	-	-		Krampa .....	Clamp .....		5
33	1566344-6	2	2	-	-	-		Krampa .....	Clamp .....		5
34	1562263-2	4	4	-	-	-		Spännjärn .....	Tensioner .....		4
35	1566844-5	4	4	-	-	-		Kopp .....	Cup .....		5
36	1566845-2	4	4	-	-	-		Hylsa .....	Sleeve .....		4
37	1567557-2	4	4	-	-	-		Stödring .....	Support ring .....	(1566855)	5
38	640739-9	8	8	-	-	-		Bussning .....	Bushing .....		3
39	959806	2	2	-	-	-	NS	Skruv .....	Screw .....		
40	950365-7	14	14	-	-	-		Låsmutter .....	Lock nut .....		2
41	944633-7	10	10	-	-	-		Bricka .....	Washer .....		2
42	190621-3	2	2	-	-	-		Bricka .....	Washer .....		2

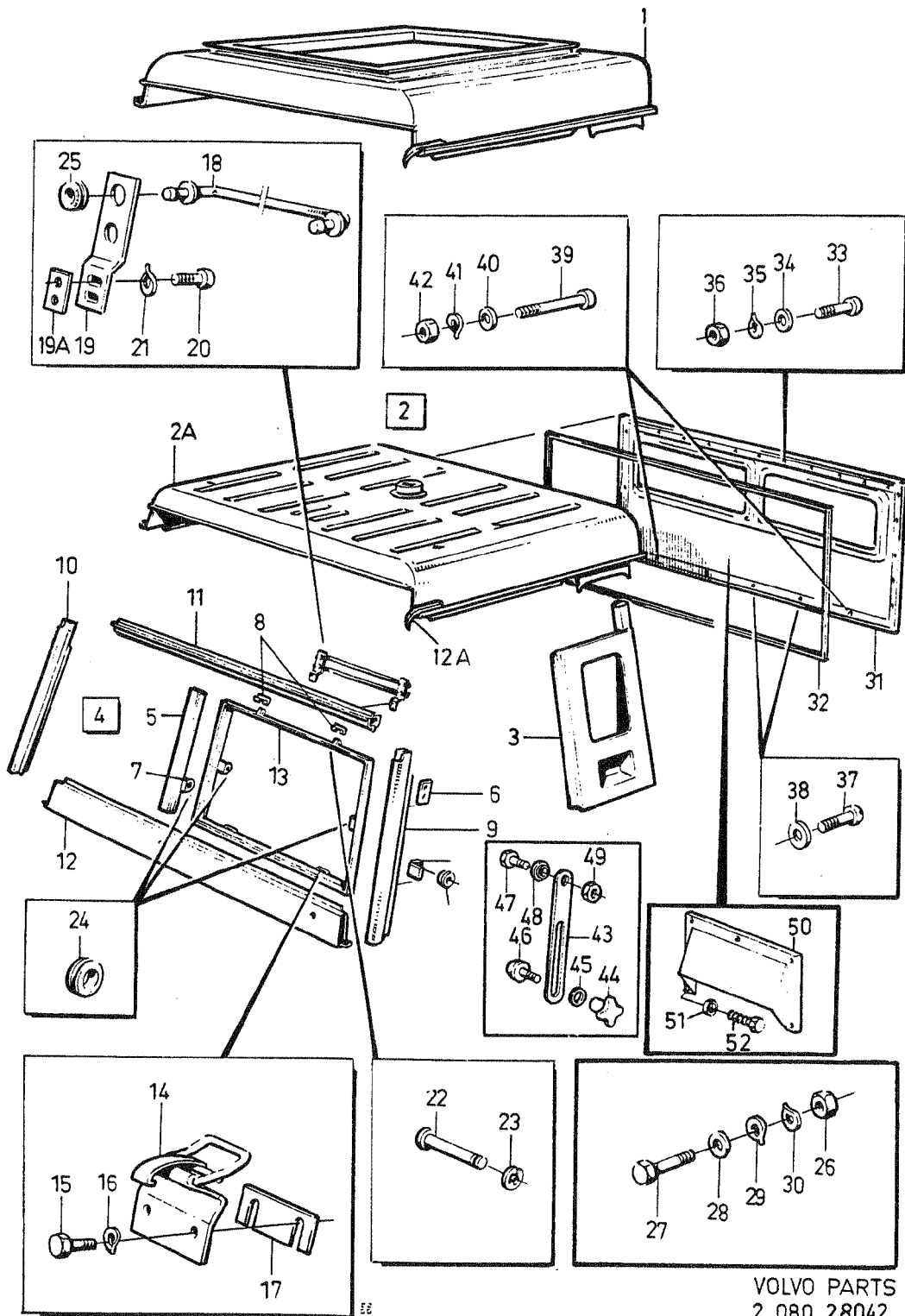


VOLVO PARTS  
 2 080 28042  
 (31:2)

A	L.H.D	TAKPARTI FRÄMRE					ROOF SECTION FRONT		Grupp Group		
									81		
B	R.H.D								Sida Page		
C									439		
D											
E											
Pos	Artikel nr Part No.	Antal /Quantity					P S	Benämning	Description	Anmärkning Notes	S R
		A	B	C	D	E					
1	1565460-1	1	1	-	-	-		Tak, främre .....	Roof, front .....	CANVAS	5
2	643424-5	1	-	-	-	-		Överdel .....	Upper section .....		6
	1560546-2	-	1	-	-	-		Överdel .....	Upper section .....	MTL	6
	1560631-2	-	1	-	-	-		Överdel .....	Upper section .....	UTL	6
	(1563715)	1	-	-	-	-	SP	Överdel .....	Upper section .....	1) CIVIL UTL REPL 1PCS 1566046-7	6
	1566046-7	1	-	-	-	-		Överdel .....	Upper section .....	2) CIVIL UTL	6
	(1563716)	-	1	-	-	-	SP	Överdel .....	Upper section .....	1) CIVIL UTL REPL 1PCS 1566047-5	6
2a	1566047-5	-	1	-	-	-		Överdel .....	Upper section .....	2) CIVIL UTL	6
	644545-6	1	-	-	-	-		•Tak .....	•Roof .....	UTL (1560632)	5
	644545-6	-	1	-	-	-		•Tak .....	•Roof .....		5
	1560560-3	-	1	-	-	-		•Tak, främre .....	•Roof, front .....	MTL	5
	1563713-5	1	1	-	-	-		•Tak, främre .....	•Roof, front .....	CIVIL	5
3	644551-4	1	1	-	-	-		•Sida, v .....	•Side, l.h. ....		2
	644552-2	1	1	-	-	-		•Sida, h .....	•Side, r.h. ....		2
4	643242-1	1	-	-	-	-		•Vindruteram .....	•Windscreen frame .....		4
	1566040-0	-	1	-	-	-		•Vindruteram .....	•Windscreen frame .....	2)	4
	1566039-2	1	-	-	-	-		•Vindruteram .....	•Windscreen frame .....	2) CIVIL	4
	1566040-0	-	1	-	-	-		•Vindruteram .....	•Windscreen frame .....	1) CIVIL (1560363)	4
	1566039-2	1	-	-	-	-		•Vindruteram .....	•Windscreen frame .....	1) CIVIL (1563714)	4
5	644500-1	1	1	-	-	-		•Pelare .....	•Pillar .....		3
6	1562236-8	2	4	-	-	-		•Fästplåt .....	•Attaching plate .....		4
	1562236-8	4	4	-	-	-		•Fästplåt .....	•Attaching plate .....	CIVIL	4
7	1560169-3	2	4	-	-	-		•Fäste .....	•Anchorage .....	EXC CIVIL	3
	1560169-3	4	4	-	-	-		•Fäste .....	•Anchorage .....	2) CIVIL	3
8	1560148-7	2	4	-	-	-		•Gångjärn .....	•Hinge .....	EXC CIVIL	3
	1560148-7	4	4	-	-	-		•Gångjärn .....	•Hinge .....	2) CIVIL	3
9	644508-4	1	1	-	-	-		•Stolpe, v .....	•Pillar, l.h. ....		3
10	644509-2	1	1	-	-	-		•Stolpe, h .....	•Pillar, r.h. ....		3
11	644510-0	1	1	-	-	-		•Profil, övre .....	•Profile, upper .....		3
12	644515-9	1	-	-	-	-		•Frontplåt .....	•Front plate .....		2
	1560358-2	-	1	-	-	-		•Frontplåt .....	•Front plate .....		2
12a	1563019-7	1	1	-	-	-		•Dropplist, v .....	•Drip moulding, l.h. ....		4
	1563020-5	1	1	-	-	-		•Dropplist, h .....	•Drip moulding, r.h. ....		4
13	1566677-9	1	1	-	-	-		Båge .....	Bow .....	2) L.H (643620)	4
	1566045-9	1	1	-	-	-		Båge .....	Bow .....	2) R.H	4
	1563693	-	1	-	-	-	NS	Båge, v .....		SPCL S-3652,S-3654	
	1563694	-	1	-	-	-	NS	Båge, h .....		SPCL S-3652,S-3654	
14	1560140-4	2	4	-	-	-		Excenterlås .....	Eccentric lock .....	2)	2
	1560140-4	4	4	-	-	-		Excenterlås .....	Eccentric lock .....	2) CIVIL	2
	1563711-9	-	4	-	-	-		Excenterlås .....	Eccentric lock .....	SPCL S-3652, S-3653	5
15	955513-7	4	8	-	-	-		Skruv .....	Screw .....		2
	955513-7	8	8	-	-	-		Skruv .....	Screw .....	CIVIL	2
16	941906-0	4	8	-	-	-		Fjäderbricka .....	Spring washer .....		2
	941906-0	8	8	-	-	-		Fjäderbricka .....	Spring washer .....	CIVIL	2
	955893-3	4	8	-	-	-		Bricka .....	Washer .....		2
	955893-3	8	8	-	-	-		Bricka .....	Washer .....	CIVIL	2
17	1560145-3	10	-	-	-	-		Mellanlägg .....	Spacer .....		2
	1560145-3	-	20	-	-	-		Mellanlägg .....	Spacer .....	SPCL S-3652, S-3653	2
18	1560174-3	2	-	-	-	-		Stöd .....	Support .....		5
	1560174-3	4	4	-	-	-		Stöd .....	Support .....	CIVIL	5
	1560174-3	-	4	-	-	-		Stöd .....	Support .....	SPCL S-3652, S-3653	5
19	1560168-5	2	-	-	-	-		Konsol .....	Bracket .....		5
	1560168-5	4	4	-	-	-		Konsol .....	Bracket .....	CIVIL HARD TOP	5
	1560168-5	-	4	-	-	-		Konsol .....	Bracket .....	SPCL S-3652, S-3653	5
19a	1566383-4	8	8	-	-	-		Mellanlägg .....	Spacer .....	CIVIL CANVAS	3
20	950022-4	4	-	-	-	-		Skruv .....	Screw .....		2
	950022-4	8	8	-	-	-		Skruv .....	Screw .....	CIVIL HARD TOP	2

1) Fast vindruteram. / Fixed windscreen frame.  
 2) Öppningsbar vindruteram. / Openable windscreen frame.

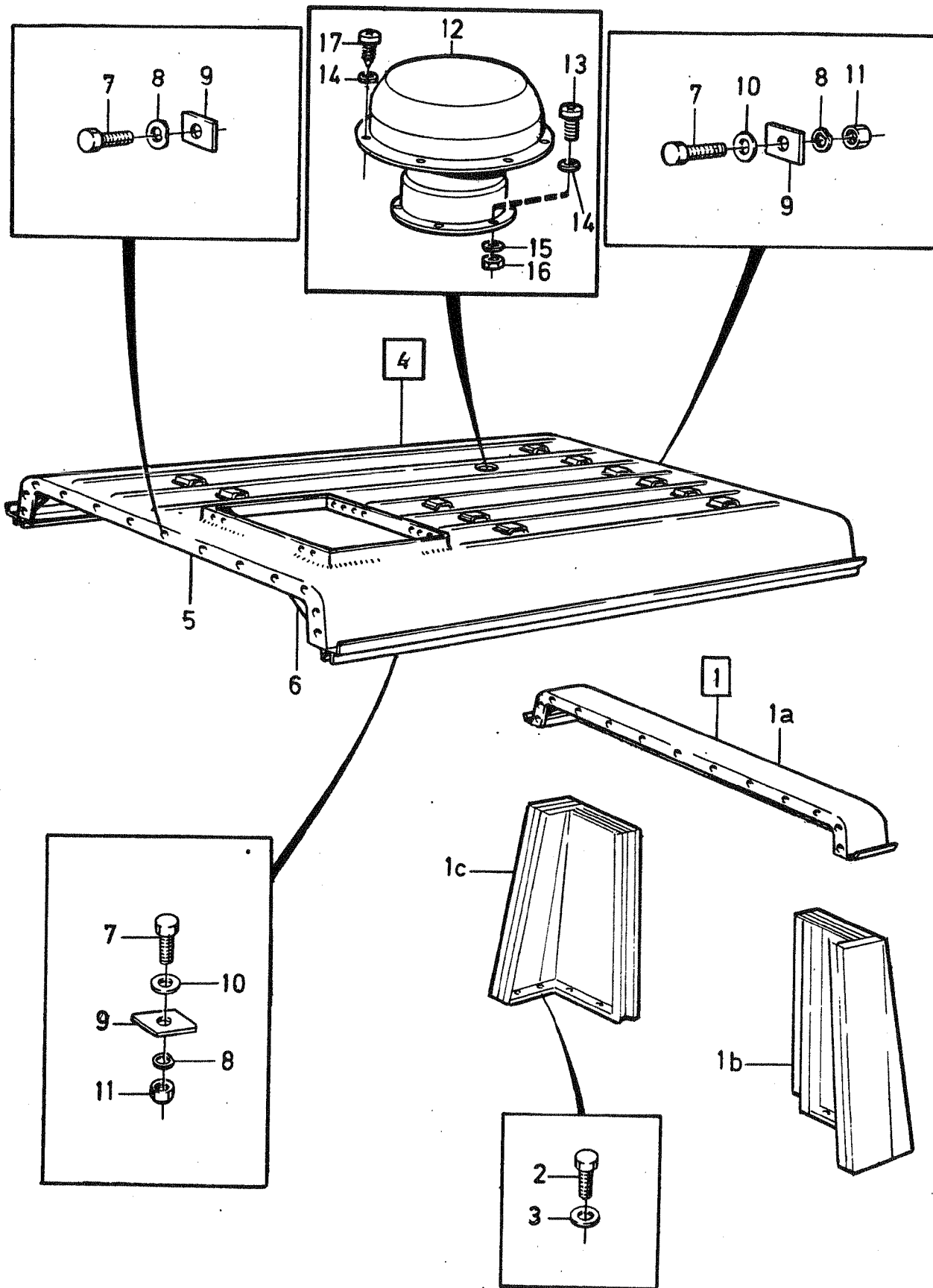




VOLVO PARTS  
 2 080 28042  
 (31:2)

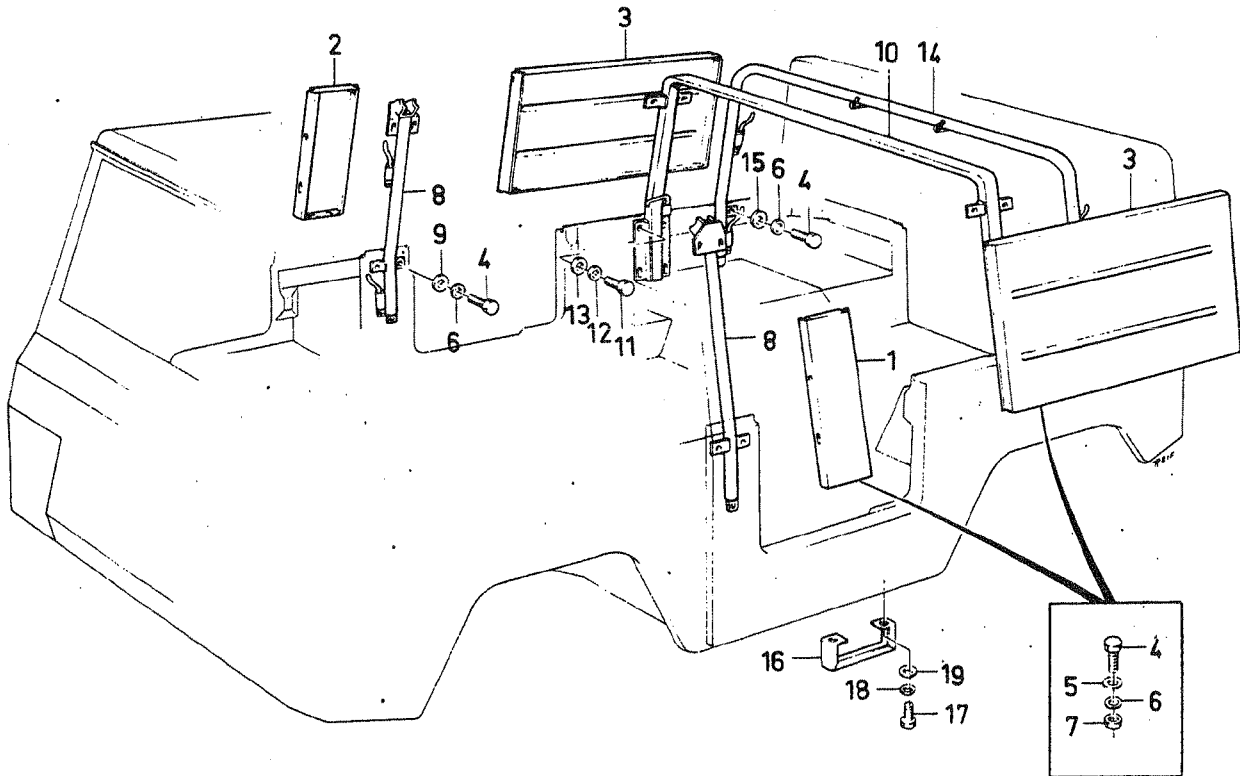
A	L.H.D					TAKPARTI FRÄMRE	ROOF SECTION FRONT	Anmärkning Notes	S R			
	B	R.H.D										
		C										
			D									
				E								
Pos	Artikel nr Part No.	Antal /Quantity					P S	Benämning	Description	Anmärkning Notes	S R	
		A	B	C	D	E						
	950025-7	4	4	-	-	-		Skruv .....	Screw .....	CIVIL CANVAS	2	
	950022-4	-	8	-	-	-		Skruv .....	Screw .....	SPCL S-3652, S-3653	2	
21	941905-2	4	-	-	-	-		Fjäderbricka .....	Spring washer .....		2	
	941905-2	8	8	-	-	-		Fjäderbricka .....	Spring washer .....		2	
	941905-2	-	8	-	-	-		Fjäderbricka .....	Spring washer .....	SPCL S-3652, S-3653	2	
22	944007-4	2	-	-	-	-		Bult .....	Bolt .....		2	
	944405-0	4	4	-	-	-		Slang .....	Hose .....	2) CIVIL (944408)	2	
23	955962-6	2	-	-	-	-		Spärring .....	Retaining ring .....		2	
	955962-6	4	4	-	-	-		Spärring .....	Retaining ring .....	2) CIVIL	2	
24	631724-2	X	X	-	-	-		Gummibussning .....	Rubber bushing .....		6	
25	91395-4	X	X	-	-	-		Gummibussning .....	Rubber bushing .....		2	
26	955827-1	2	2	-	-	-		Mutter .....	Nut .....		2	
27	940114-2	6	6	-	-	-		Skruv .....	Screw .....		2	
	940135-7	6	6	-	-	-		Skruv .....	Screw .....		2	
	955524-4	6	6	-	-	-		Skruv .....	Screw .....	(940135-7)	2	
28	940141	6	6	-	-	-	NS	Bricka .....	Washer .....		2	
29	942336-9	6	6	-	-	-		Fjäderbricka .....	Spring washer .....		2	
30	941907-8	6	6	-	-	-		Fjäderbricka .....	Spring washer .....		2	
31	1561262-5	-	1	-	-	-		Ryggplåt .....	Rear wall .....	4X4 INCL S-3780	4	
	1560208-9	-	1	-	-	-		Ryggplåt .....	Rear wall .....	6X6 INCL S-3781 S-3802 S-3736	4	
	1560321-0	1	-	-	-	-		Ryggplåt .....	Rear wall .....	S-3705 S-3761	5	
	1566304-0	1	-	-	-	-		Ryggplåt .....	Rear wall .....	TGB 20	5	
32	1560337-6	2	2	-	-	-		Tätninglist .....	Sealing moulding .....	L.H.D S-3780,TGB 20	2	
	1560338-4	2	2	-	-	-		Tätninglist .....	Sealing moulding .....	L.H.D S-3780,TGB 20	2	
33	950046-3	21	21	-	-	-		Skruv .....	Screw .....	L.H.D S-3780,TGB 20	2	
34	947391-9	21	21	-	-	-		Plastbricka .....	Plastic washer .....	L.H.D S-3780,TGB 20	2	
35	960140-2	21	21	-	-	-		Bricka .....	Washer .....	L.H.D S-3780,TGB 20	2	
36	955825-5	21	21	-	-	-		Mutter .....	Nut .....	L.H.D S-3780,TGB 20	2	
37	950059-6	3	3	-	-	-		Skruv .....	Screw .....	L.H.D S-3780,TGB 20	2	
38	947757-1	3	3	-	-	-		Bricka .....	Washer .....	L.H.D S-3780,TGB 20	2	
39	955526-9	2	2	-	-	-		Skruv .....	Screw .....	L.H.D S-3780,TGB 20	2	
40	947757-1	2	2	-	-	-		Bricka .....	Washer .....	L.H.D S-3780,TGB 20	2	
41	941907-8	2	2	-	-	-		Fjäderbricka .....	Spring washer .....	L.H.D S-3780,TGB 20	2	
42	955826-3	2	2	-	-	-		Mutter .....	Nut .....	L.H.D S-3780,TGB 20	2	
43	1566779-3	-	4	-	-	-		Reglerskena .....	Control rail .....	2) (MAL) SEN UTF	5	
44	1566813-0	-	4	-	-	-		Låsvred .....	Latch .....	2) (MAL) SEN UTF	4	
45	191172-6	-	4	-	-	-		Bricka .....	Washer .....	2) (MAL) SEN UTF	2	
46	1566776-9	-	4	-	-	-		Skruv .....	Screw .....	2) (MAL) SEN UTF	4	
47	955297-7	-	4	-	-	-		Skruv .....	Screw .....	2) (MAL) SEN UTF	2	
48	1566778-5	-	4	-	-	-		Bricka .....	Washer .....	2) (MAL) SEN UTF	5	
49	963106-0	-	4	-	-	-		Låsmutter .....	Lock nut .....	2) (MAL) SEN UTF	2	
50	1566876-7	1	-	-	-	-		Plåt .....	Plate .....	TGB 20	5	
51	960136-0	5	-	-	-	-		Bricka .....	Washer .....	TGB 20	2	
52	955119-3	5	-	-	-	-		Skruv .....	Screw .....	TGB 20	2	

2) Öppningsbar vindruteram. / Openable windscreen frame.



VOLVO PARTS  
 2 080 35006  
 (31:3)

A		4 X4					TAKPARTI		ROOF SECTION		Grupp Group	
B		6 X6					BAKRE		REAR			81
C		CIVIL					L.H.D					
D												443
E												
Pos	Artikel nr Part No.	Antal /Quantity					P S	Benämning	Description	Anmärkning Notes	S R	
		A	B	C	D	E						
1	7563855	-	-	1	-	-	NS	Tak, bakre .....	Roof, rear .....	UTL		
1a	1567771-9	1	1	-	-	-		Tak, bakre .....	Roof, rear .....		6	
1b	1567772-7	1	1	-	-	-		Hörnplåt, v .....	Corner panel, l.h. ....		5	
1c	1567773-5	1	1	-	-	-		Hörnplåt, h .....	Corner panel, r.h. ....		5	
2	955524-4	2	2	2	-	-		Skruv .....	Screw .....		2	
	940114-2	4	4	4	-	-		Skruv .....	Screw .....		2	
3	960141-0	2	2	2	-	-		Bricka .....	Washer .....		2	
	960142-8	4	4	4	-	-		Bricka .....	Washer .....		2	
4	1563060-1	1	-	-	-	-		Tak .....	Roof .....		5	
	1560505-8	-	1	-	-	-		Tak .....	Roof .....		5	
	1563740-8	-	-	1	-	-		Tak, främre .....	Roof, front .....		5	
5	644394-9	2	2	2	-	-		• Fästbalk .....	• Attaching member ..		4	
6	644461-6	10	14	10	-	-		• Stagbalk .....	• Stay member .....		4	
7	940135-7	40	38	40	-	-		Skruv .....	Screw .....		2	
8	941907-8	40	38	40	-	-		Fjäderbricka .....	Spring washer .....		2	
9	947556	40	38	40	-	-	NS	Bricka .....	Washer .....		2	
10	955894-1	25	8	25	-	-		Bricka .....	Washer .....		2	
11	955826-3	25	8	25	-	-		Mutter .....	Nut .....		2	
12	1562180-8	1	1	1	-	-		Ventilator .....	Ventilator .....	S-8934	5	
13	950029-9	3	3	3	-	-		Skruv .....	Screw .....		2	
14	960138-6	6	6	6	-	-		Bricka .....	Washer .....		2	
15	941905-2	3	3	3	-	-		Fjäderbricka .....	Spring washer .....		2	
16	940092-0	3	3	3	-	-		Mutter .....	Nut .....		2	
17	955143-3	3	3	3	-	-		Skruv .....	Screw .....		2	



VOLVO PARTS  
 2 080 13981

A	4X4	KAROSSIDA					BODY SIDE			Grupp		
	B									6X6	81	
	C										Sida	
	D										Page	
	E										445	
		L.H.D										
Pos	Artikel nr Part No.	Antal /Quantity					P S	Benämning	Description	Anmärkning Notes	S R	
		A	B	C	D	E						
1	1563059-3	1	1	-	-	-	Sidopanel, främre .....	Side panel, front .....		3		
	643745-3	1	1	-	-	-	• Ytterplåt .....	• Outer panel .....		5		
2	1563063-5	1	1	-	-	-	Sidopanel, främre .....	Side panel, front .....		3		
	643745-3	1	1	-	-	-	• Ytterplåt .....	• Outer panel .....		5		
3	1563058-5	1	-	-	-	-	Sidopanel, bakre .....	Side panel, rear .....	L.H	3		
	1563065-0	1	-	-	-	-	Sidopanel, bakre .....	Side panel, rear .....	R.H	3		
	643760-2	1	-	-	-	-	• Ytterplåt .....	• Outer panel .....		5		
	1560564-5	-	1	-	-	-	Sidopanel, bakre .....	Side panel, rear .....	L.H	3		
	1562730-0	-	1	-	-	-	Sidopanel, bakre .....	Side panel, rear .....	R.H	3		
4	940135-7	14	8	-	-	-	Skruv .....	Screw .....	LG 22	2		
	955524-4	18	18	-	-	-	Skruv .....	Screw .....	LG 19	2		
5	960141-0	18	22	-	-	-	Bricka .....	Washer .....		2		
6	941907-8	24	26	-	-	-	Fjäderbricka .....	Spring washer .....		2		
7	955826-3	4	4	-	-	-	Mutter .....	Nut .....		2		
8	1560676-7	1	-	-	-	-	Rörstag .....	Tubular stay .....		3		
	644199-2	1	-	-	-	-	Stötta .....	Stanchion .....		3		
9	955894-1	6	-	-	-	-	Bricka .....	Washer .....		2		
10	644281-8	1	1	-	-	-	Takbåge .....	Roof arch .....		6		
11	955534-3	8	8	-	-	-	Skruv .....	Screw .....		2		
12	942336-9	8	8	-	-	-	Fjäderbricka .....	Spring washer .....		2		
13	940097-9	8	8	-	-	-	Bricka .....	Washer .....		2		
14	644250-3	1	2	-	-	-	Skyddsåge .....	Roll-over bar .....	6X6 CH-3961	6		
	644250-3	-	1	-	-	-	Skyddsåge .....	Roll-over bar .....	CH 3962-	6		
	644199-2	-	1	-	-	-	Stötta .....	Stanchion .....	CH 3962-	3		
	1560676-7	-	1	-	-	-	Rörstag .....	Tubular stay .....	CH 3962-	3		
15	955894-1	4	8	-	-	-	Bricka .....	Washer .....		2		
16	1560568-6	2	-	-	-	-	Fotsteg .....	Foot step .....		4		
	1560568-6	-	2	-	-	-	Fotsteg .....	Foot step .....	SPCL S-3652, S-3653	4		
17	940114-2	4	-	-	-	-	Skruv .....	Screw .....		2		
	940114-2	-	4	-	-	-	Skruv .....	Screw .....	SPCL S-3652, S-3653	2		
18	942336-9	4	-	-	-	-	Fjäderbricka .....	Spring washer .....		2		
	942336-9	-	4	-	-	-	Fjäderbricka .....	Spring washer .....	SPCL S-3652, S-3653	2		
19	940097-9	4	-	-	-	-	Bricka .....	Washer .....		2		
	940097-9	-	4	-	-	-	Bricka .....	Washer .....	SPCL S-3652, S-3653	2		