

Theatre winch

300 kg

Description of the winch

The theatre winch is a high-quality and also safe winch that has been specially developed for the theatre and entertainment industry. This winch complies with the new standards for this sector, namely EN17206, and is therefore new in our range. In short, it's a great addition for Gebuwin, which literally and figuratively has the right to be "In The Picture".

Product specifications

- > compliant to the EN17206 norm for stage and entertainment industry
- > static safety factor 8
- > The worm gear transmission has a natural braking effect
- > Closed gearbox to prevent accidents
- > grooved drum for single-layer storage of wire rope
- > two load pressure brakes with double ratchet system for safe stable hold of the load in any position
- > equipped with a spring loaded pressure roller for smooth winding on the drum
- > cable outlet upwards and downwards
- > double wire rope fastening for extra safety
- > adjustable and secured crank
- > suitable for wall mounting
- > 1 layer of paint



Options (code)

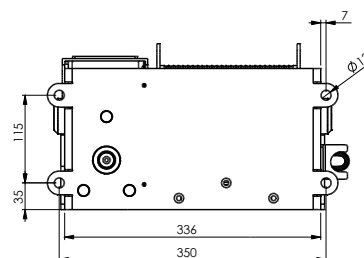
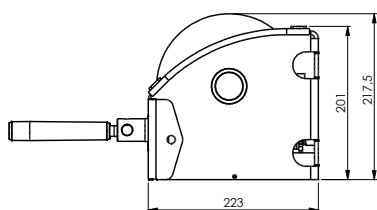
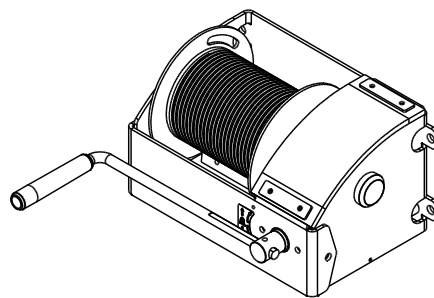
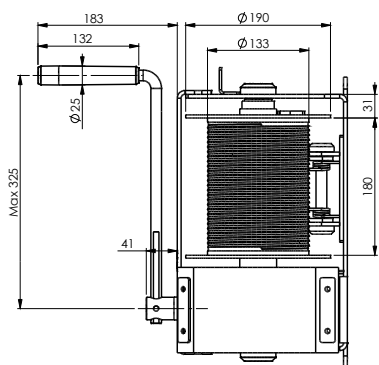
- 2 drum compartment (2D)
- increase of drum to store more rope

Accessories

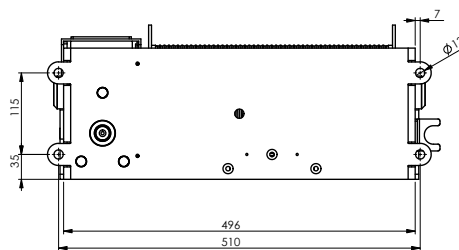
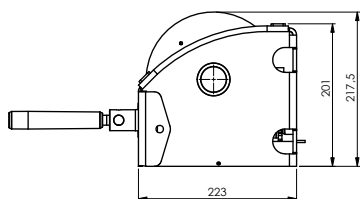
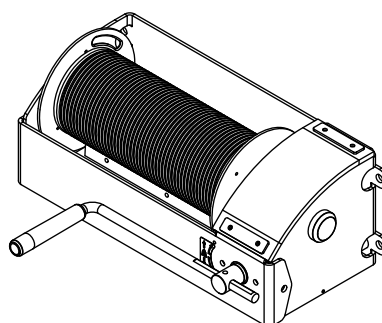
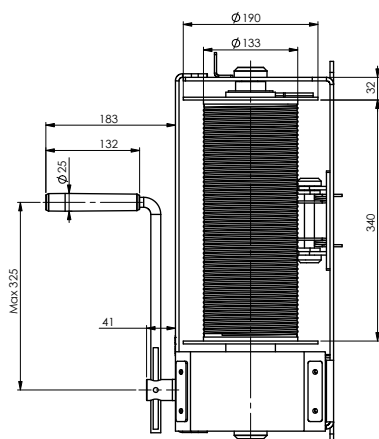
- steel, stainless steel or fiber rope ([p. 57](#))
- pulley block ([p. 59](#))

CE   [Product & instruction video on YouTube](#)

Technical specifications TW300



Technical specifications TW300L



Technical specifications	Unit	TW300	TW300L
Capacity 1st layer	kg	300	300
Rope diameter- \varnothing	mm	6	6
MBL of cable	kN	17	17
Rope storage 1st layer	m	10	20
Lifting speed	m/min	2,3	2,3
Crank effort at full load	kg	15	15
Weight (without rope)	kg	21	25
Article number	no.	77281340	77281341