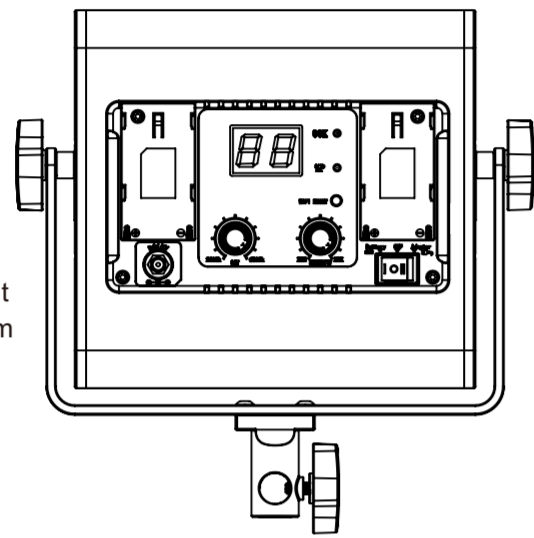


## Product Introduction

This series is a professional photo and video LED light with a slim metal body that is light and simple. Both support to adjust the brightness and color temperature. The brightness ranges from 10% to 100%, the color temperature ranges from 2300K to 6800K. Equipped with high color rendering CRI 97+ LED beads to help you restore true colors. A variety of convenient power supply methods: can be powered by the DC adapter when shooting indoors; or used the NPF mount battery when outdoor shooting, portable and easy to carry. The step-less adjustment is used to control the brightness/color temperature which brings great convenience to your shooting. With a digital display and a stable system, special APP intelligent control system, and practical soft diffusion, the U-shaped bracket that supports 360° rotation improves light control.

## Main Features

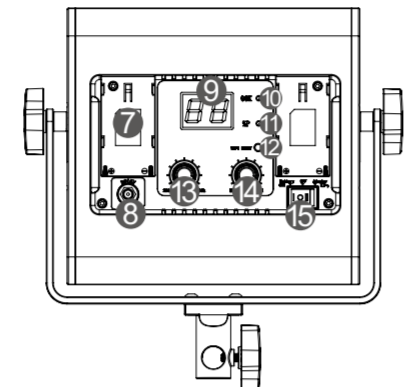
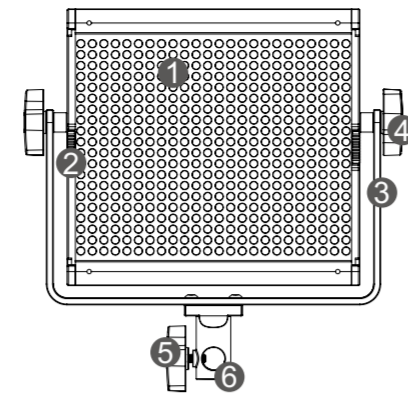
- Ultra Heat Dissipation
- Delicate Design with Aluminum Alloy Housing
- High Color Rendering Index, CRI97+
- PWM Dimming Technology
- Digital Display
- Brightness Adjustment
- Color Temperature Adjustment
- APP Intelligent Control System
- Convenient Light Set-UP and Stabilization System



1

## Function Introduction

- 1 LED bead
- 2 Soft diffusion locking knob
- 3 U bracket
- 4 U bracket adjusting knob
- 5 Light stand locking knob
- 6 Hole for light stand installation
- 7 Battery plate
- 8 DC power interface
- 9 Digital display
- 10 Color temperature display light
- 11 Brightness display light
- 12 Restoration of WIFI
- 13 Color temperature adjustment wheel
- 14 Brightness adjustment wheel
- 15 Power switch



2

## Accessories



Carry bag



Power line

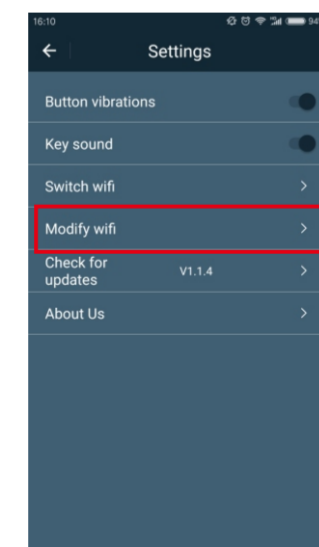


Power adapter

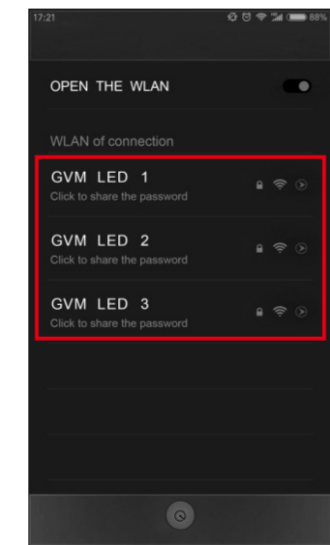


Packing box

- 9 WIFI's name and password can be modified. (Note: only one GVM-LED signal can be displayed without modifying the name)



- 10 By changing the name one by one, you can decompose different WIFI hotspots and control multiple lights, modifying the name)



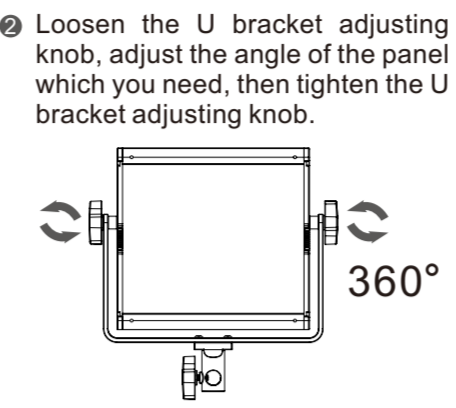
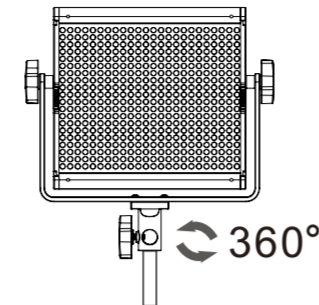
- 11 Returning to the operator menu, the lights can be controlled (adjust color temperature / brightness / open or close lights, etc.).



6

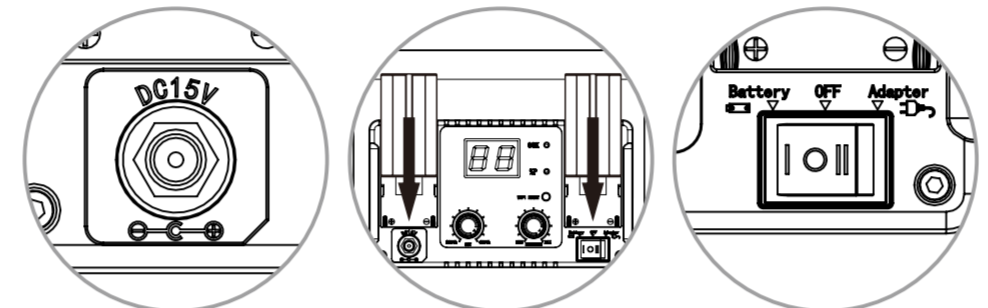
## Using the light

- 1 Insert the light on the light stand by rotating clockwise, counterclockwise to uninstall it.
- 2 Loosen the U bracket adjusting knob, adjust the angle of the panel which you need, then tighten the U bracket adjusting knob.

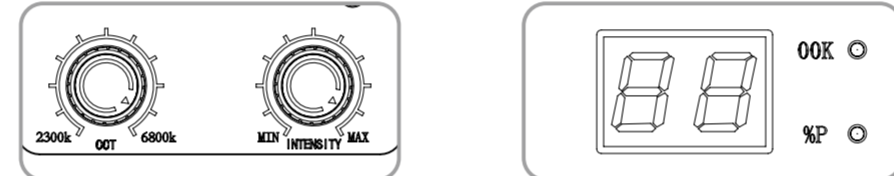


3

- 3 Dual power support: insert the DC power adapter or 2 Piece NP-750 battery to support working, the middle of the power switch is Power OFF, the right side is DC power support, the left side is Battery power support.

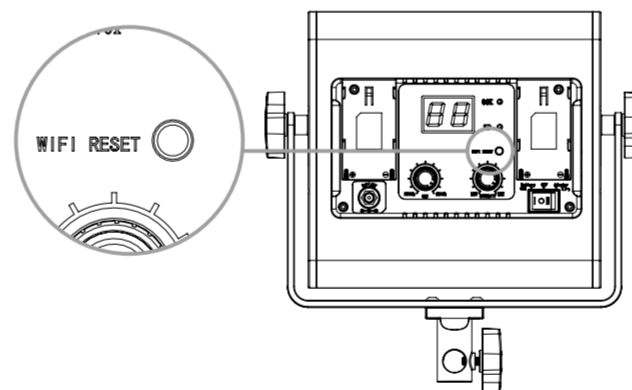


- 4 The step-less adjustment is used to control the brightness/color temperature, the digital display can according to the different adjustment wheel to show the brightness or color temperature's parameter, accurate adjust the parameter.



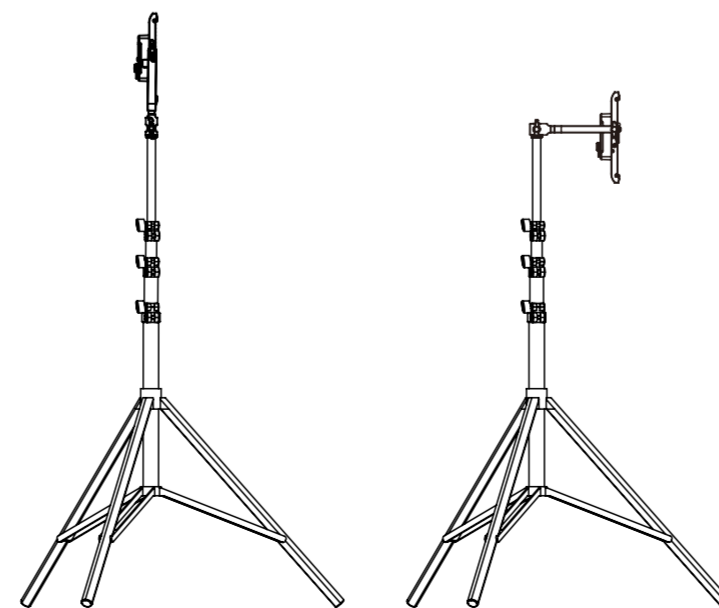
## WIFI reset function key

Press and hold for more than 5 seconds to restore the factory settings. (Prevent forgetting password or want to reschedule WIFI name)



## Mounting the light to light stand

Align the light stand installation hole to the light stand, rotate the light stand locking knob. You can choose the light stand installation direction according to your operating environment need.

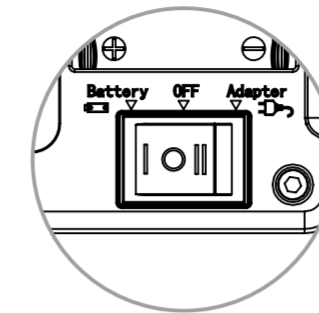


7

## APP Intelligent Control System

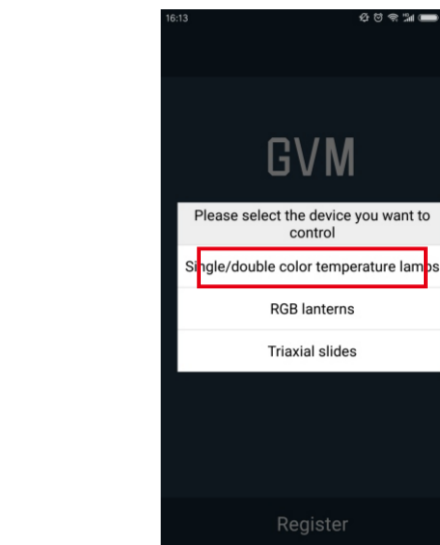
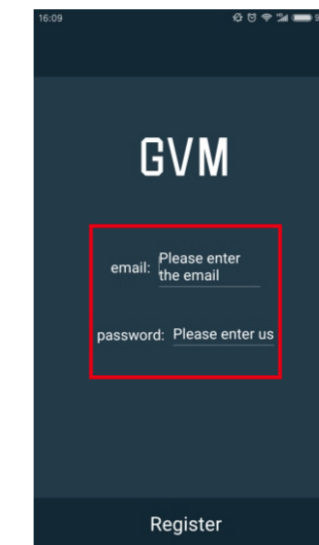
The light equipped with mobile APP control function, can be controlled by your smart mobile device ( above of Android 4.0 or IOS 9.0 ), to searched and download the GVM Easily APP in major APP stores ( such as Apple syore / Google Play. etc. ).

- 1 Open the light.
- 2 Click on the installed APP.



GVM Easily

- 3 Register your account and password first
- 4 Select the light or equipment you purchased.

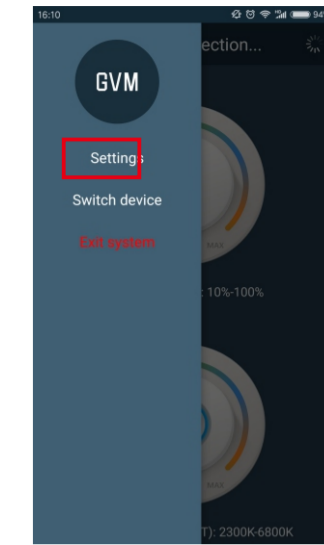


4

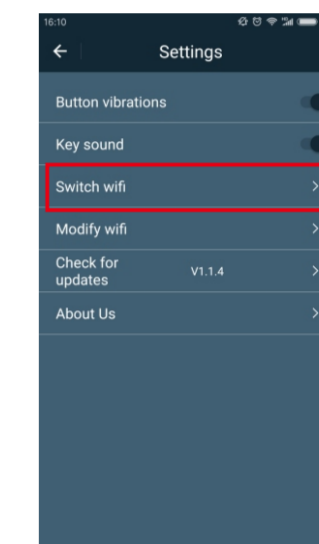
- 5 Click on the menu at the top right.
- 6 Click the Settings button.



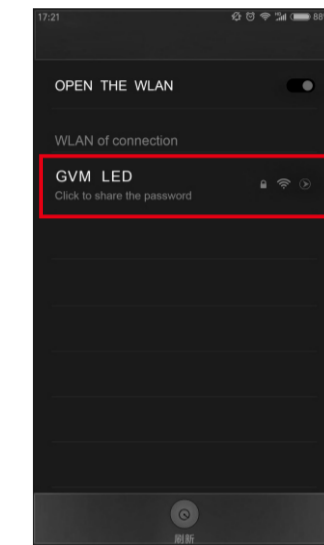
- 6 Click the Settings button.



- 7 Click to switch WIFI.



- 8 To find and click the WIFI ( GVM\_LED ), feed in the initial password ( gvm\_admin ) to connect the WIFI.

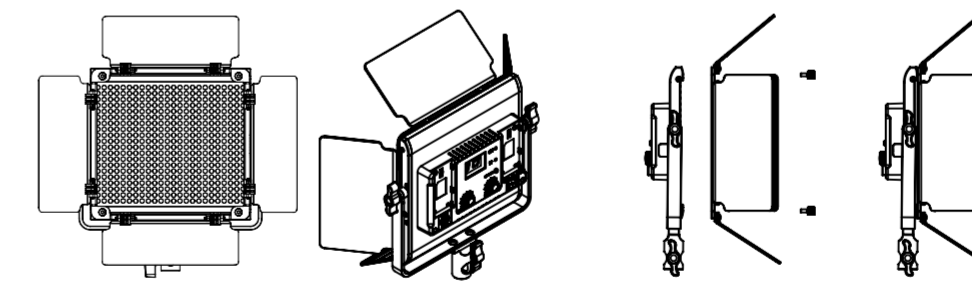


5

## Other purchase accessories

1. Barndoor: can purchase a set of foldable barndoor to control the angle of brightness.

Mounting the barndoor: align the barndoor mounting holes to the light panel screw holes, use the screws to locking the barndoor.



## Specification

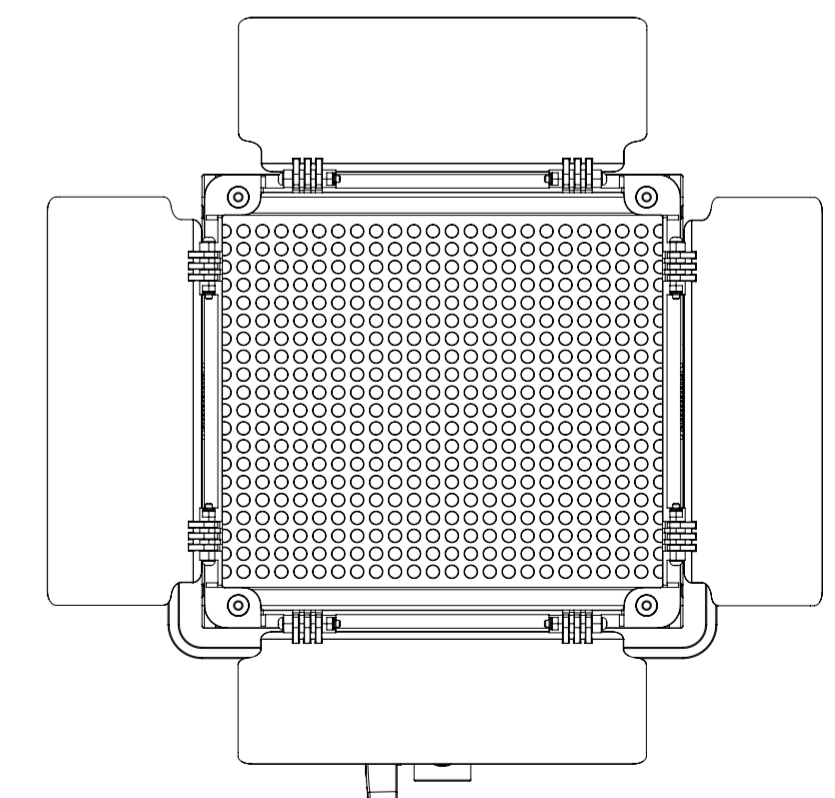
Model	LED Bead	CRI	LED angle	Voltage	Color Temperature	Power Consumption	Size
GVM-560AS	560	97+	45°	DC15V	2300K-6800K	30W	270*263*40mm
GVM-480AS	480	97+	45°	DC15V	2300K-6800K	29W	270*263*40mm

## Attention

1. Do not look at the working light directly.
2. Do not cover the working light, or it will avoid the product cooling to damage it.
3. Do not place the Light at flammable items such as alcohol, gasoline or near volatile solvent.
4. Do not place any liquid on the Light interior or fall into the Light.
5. Power off when you finish use the Light in case of a fire.
6. Carefully to move the Light in case of dropping it down.

8

GVM  
Great Video Maker



GVM-560AS / GVM-480AS

Product Manual

GVM  
Great Video Maker



For IOS



Scan the code to download the APP



For Android

Add: 338 N Canal St, #20, South San Francisco, CA94080, USA  
Web: www.gvmlid.com  
Email: support@gvmlid.com