

Aputure®

Light  storm

LS 60x

Product Manual

English

Foreword

Thank you for purchasing Aputure “Light Storm” LS 60x.

The Aputure LS 60x is a series of light storm brand new design with its own optical system lamps. The lamp integrates a new lens design to greatly improve the optical quality and texture of low-power light sources. Compact structure design, metal lamp body, excellent texture. LS 60d/x is the fixture with weather resistance design, to meet more severe use scenarios. Cooperate with the use of Barn doors, soft light box and other accessories to enrich the use form of products. So that the product to meet the needs of light control in different occasions, easy to achieve broadcast level photography.

IMPORTANT SAFETY INSTRUCTIONS

When using this unit, basic safety precautions should always be followed, including the following:

1. Read and understand all instructions before using.
2. Close supervision is necessary when any fixture is used by or near children. Do not leave fixture unattended while in use.
3. Care must be taken as burns can occur from touching hot surface.
4. Do not operate the fixture if a cord is damaged or if the fixture has been dropped or damaged - until it has been examined by qualified service personnel.
5. Position any power cables such that they will not be tripped over, pulled, or put into contact with hot surfaces.

6. If an extension cord is necessary, a cord with an amperage rating at least equal to that of the fixture should be used. Cords rated for less amperage than the fixture may overheat.
7. Always unplug the lighting fixture from the electrical outlet before cleaning and servicing, or when not in use. Never yank the cord to remove the plug from the outlet.
8. Let the lighting fixture cool completely before storing.
9. To reduce the risk of electric shock, do not immerse this fixture in water or any other liquids.
10. To reduce the risk of fire or electric shock, do not disassemble this fixture. Contact Aputure Customer Service or take it to qualified service personnel when service or repair work is required. Incorrect reassembly may cause electric shock when the lighting fixture is in use.
11. The use of an accessory attachment not recommended by the manufacturer may increase the risk of fire, electric shock, or injury to any persons operating the fixture.
12. Power this fixture by connecting it to a grounded outlet.
13. Please remove the protective film from the optical lens before use.
14. Please do not block the ventilation and do not look at the light directly when it is powered on.
15. Please do not place the LED lighting fixture near any liquids or other flammable objects.
16. Only use a dry microfiber cloth to clean the product.
- 17 Please have the product checked by authorized service personnel agent if your product has a problem.
18. The malfunctions caused by unauthorized disassemble are not covered under the warranty.

19. We recommend only using the original Aputure cable accessories. Please note that our warranty for this product does not apply to any repairs required due to any malfunctions of unauthorized Aputure accessories, although you may request such repairs for a fee.

20. This product is certified by RoHS, CE, KC, PSE, and FCC. Please operate the product in full compliance with the operation standards. Please note that this warranty does not apply to repairs arising from malfunctions, although you may request such repairs on a chargeable basis.

21. The instructions and information in this manual are based on thorough, controlled company testing procedures. Further notice will not be given if the design or specifications change.

SAVE THESE INSTRUCTIONS

FCC Compliance Statement

This device complies with Part 15 of the FCC Rules. Operation is subject to the following two conditions: (1) This device may not cause harmful interference. (2) This device must accept any interference received, including interference that may cause undesired operation.

Warning: Changes or modifications not expressly approved by the party responsible for compliance could void the user's authority to operate the equipment.

NOTE: This equipment has been tested and found to comply with the limits for a Class B digital device, pursuant to Part 15 of the FCC Rules. These limits are designed to provide reasonable protection against harmful interference in a residential installation. This equipment generates uses and can radiate radio frequency energy and, if not installed and used in accordance with the instructions, may cause harmful interference to radio communications. However, there is no guarantee that interference will not occur in a particular installation. If this equipment does cause harmful interference to radio or television reception, which can be determined by turning the equipment off and on, the user is encouraged to try reorient or relocate the receiving antenna.

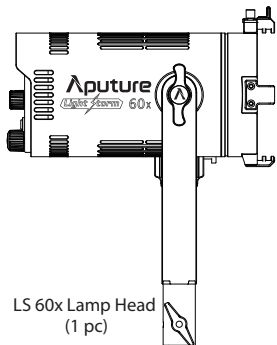
- Increase the separation between the equipment and receiver.
- Connect the equipment into an outlet on a circuit different from that to which the receiver is connected.
- Consult the dealer or an experienced radio/TV technician for help.

RF warning statement:

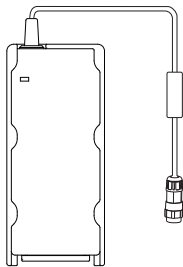
This device has been evaluated to meet general RF exposure requirements.

Check list

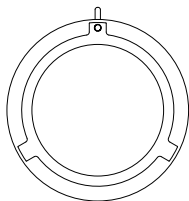
When you unbox the product, please make sure all the items listed below are included. Otherwise, please contact the seller immediately.



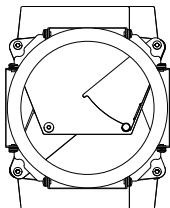
LS 60x Lamp Head
(1 pc)



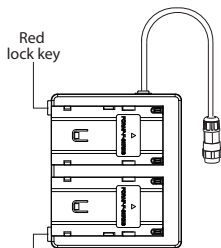
Adapter (1 pc)



Bowens Mount
Adapter (1 pc)



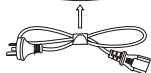
Barn Doors (1 pc)



Red lock key
Black lock key
Battery case (1 pc)



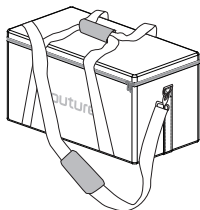
Cable Tie



AC power CON Cable
(1 pc)

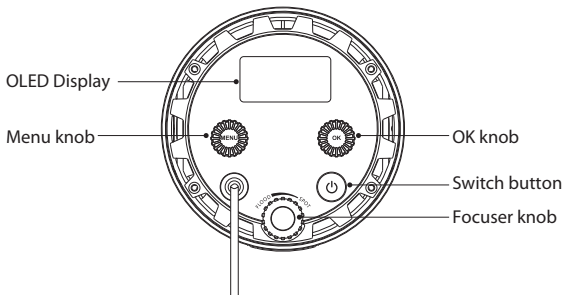
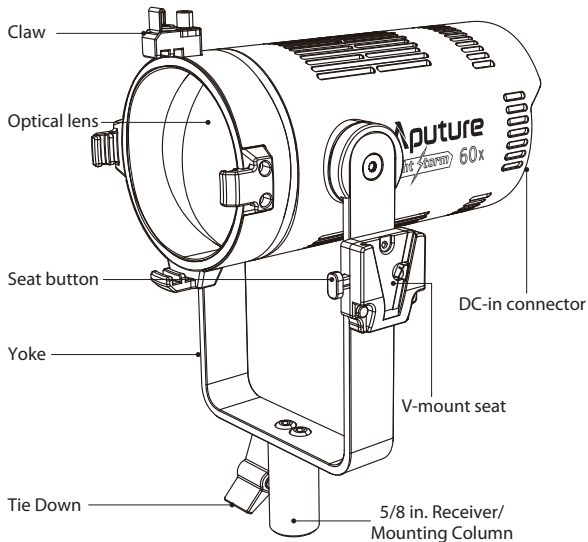


D-tap to DC Cable
(1 pc)



Carrying Case (1 pc)

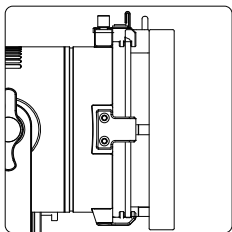
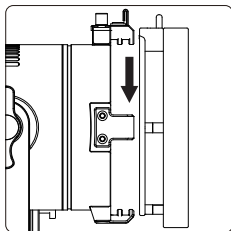
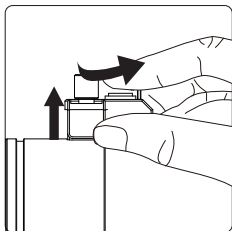
Product Details



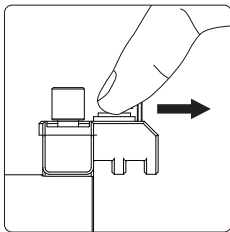
Installations

1. Install the Bowens Mount Adapter

Lift the claw directly above the lamp cap and rotate it 90° to the side, then point the Bowens Mount Adapter at the other three slots on the lamp cap, place it into the slots from top to bottom, then lift the socket directly above and rotate it to the front.

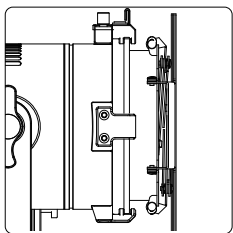
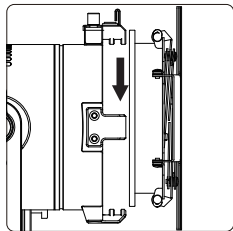
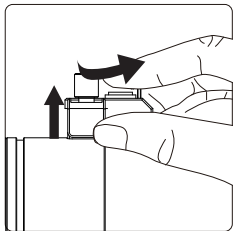


Make sure the pick is pushed to the front of the claw before installation.

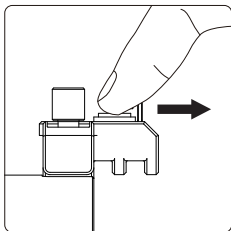


2. Install the Barn Doors

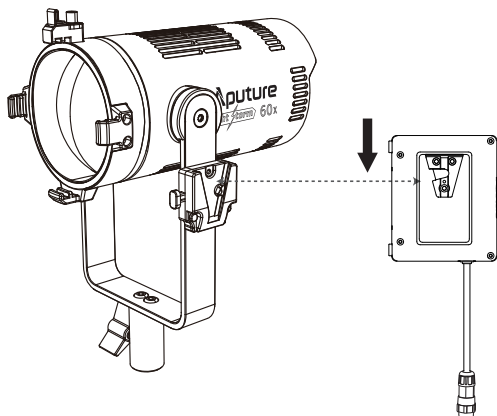
Lift the claw directly above the lamp cap and rotate it 90° to the side, then point the Barn Doors at the other three slots on the lamp cap, place it into the slots from top to bottom, then lift the socket directly above and rotate it to the front.



Make sure the pick is pushed to the front of the claw before installation.

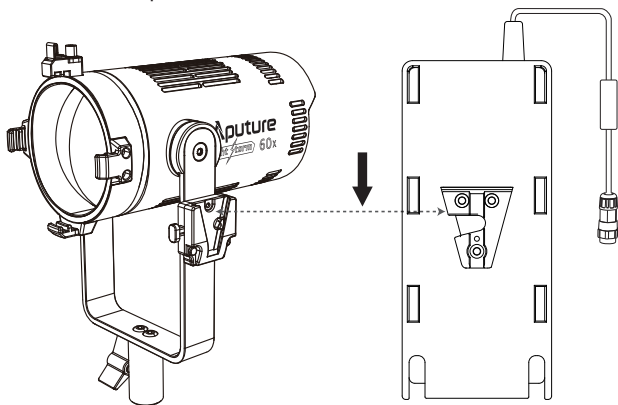


3. Install the Battery case



** To remove the battery case, press the V-mount seat button and pull the battery case upward.*

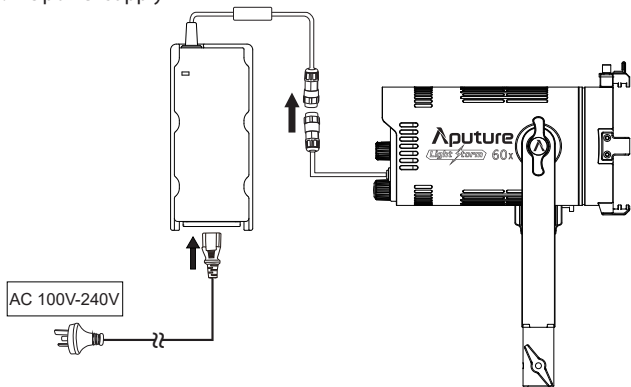
4. Install the Adapter



** To remove the Adapter, press the V-mount seat button and pull the Adapter case upward.*

The power supply

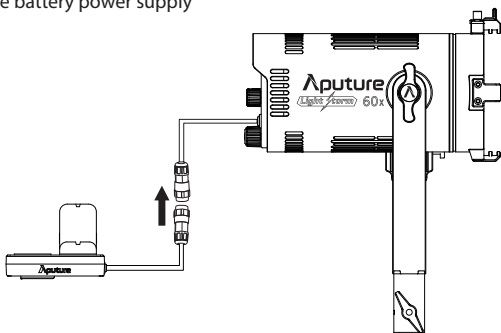
1. Ac power supply



* Rotate the red rotary ring of the DC input connector clockwise, then pull out to remove the adapter.

2. Battery powered

1) Single battery power supply

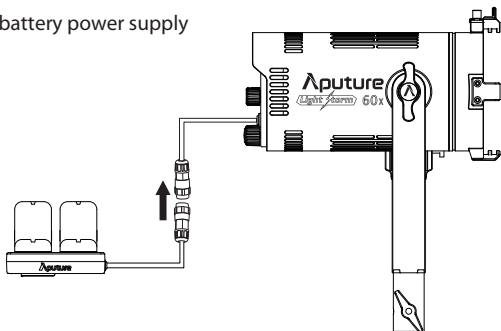


* When using a single battery for power supply, be sure to install the battery in the battery slot corresponding to the red key; When removing the battery, press the red lock button to pull out the battery. Do not hard pull out.

* Rotate the red rotary ring of the DC input connector clockwise and then pull it out to remove the battery case. Do not pull it out forcibly.

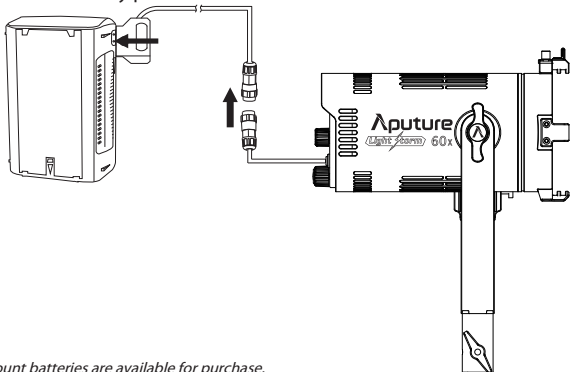
* Single battery: Voltage 6~8.4V; Recommended $\geq 6.6A$ continuous discharge.

2) Dual battery power supply



- * When using dual battery power supply, install the battery in the battery slot corresponding to the red/black lock key successively; When removing the battery, press the red/black lock button and then pull out the battery one by one. Do not pull it out forcibly.
- * Rotate the red rotary ring of the DC input connector clockwise and then pull it out to remove the battery case. Do not pull it out forcibly.
- * Dual battery: Voltage 12~16.8V; Recommended $\geq 6.6A$ continuous discharge.

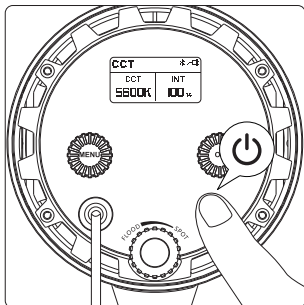
3) V-Mount battery powered



- * V-mount batteries are available for purchase.
- * Rotate the red rotary ring of the DC input connector clockwise and then pull it out to remove the D-tap to DC Cable. Do not pull it out forcibly.
- * Press the V port seat button and pull out the V-Mount battery upward. Do not pull it out forcibly.
- * Do not use a battery with a specification of more than 21V. Using the wrong battery will cause damage to the lamp.
- * Only use batteries that support the necessary continuous current discharge specifications mentioned above. If non-compatible batteries are used, the batteries will enter a protection state and the lighting fixture will not operate as intended.

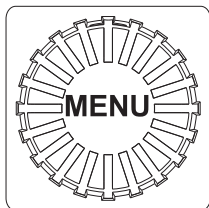
Operations

1. Power on, the switch button can control the switching state of the Lamp Head.



2. Manual control

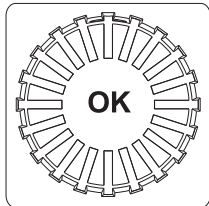
- 1) Rotate CCT adjusting knob to adjust CCT, clockwise to change the cool color, counterclockwise to change the warm color. Stepless adjustment can be realized.



min
↕
max



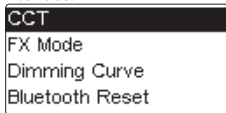
Turn the brightness adjustment knob to adjust the brightness, clockwise to increase the brightness, counterclockwise to reduce the brightness. Stepless adjustment can be realized.



min
↕
max

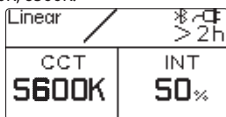


2) Click the MENU key to enter the MENU interface, as shown below. Rotate the "MENU" key to select MENU options, and click the "MENU" key to enter the selected MENU items; To exit the MENU interface, click the "MENU" key and select "exit" to return to the CCT interface.



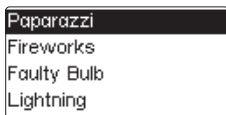
3) CCT mode

Select "CCT" from the menu interface and enter THE CCT mode. Rotate "MENU" to adjust CCT; Rotate the "OK" key to adjust the INT. Click "OK" to switch fixed CCTS: 2700K, 3200K, 4300K, 5600K, 6500K.



4) FX mode

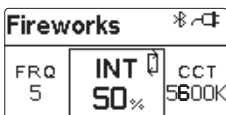
Select "FX Mode" from the menu interface. Rotate and click "OK" to enter different FX modes.



a. Paparazzi Mode

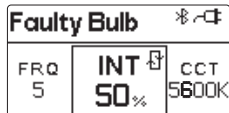


b. Fireworks Mode

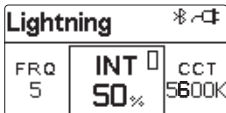


* The CCT can be 3200K, 5600K or "random" in the firework light effect mode.

c. Faulty bulb Mode

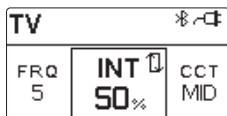


d. Lightning Mode



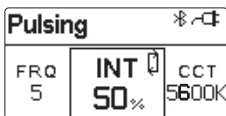
* In lightning mode, short press the "OK" button to single trigger the light effect, long press the "OK" button to enter the cycle mode.

e. TV Mode

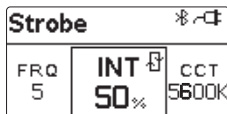


* In TV mode, the CCT can be switched between cool, neutral and warm colors.

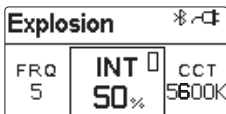
f. Pulsing Mode



g. Strobe Mode



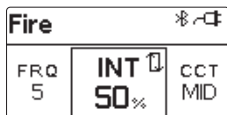
h. Explosion Mode



* In explosion mode, short press the Trigger button to single trigger the light effect.

* The adjustable frequency of explosion mode is 1~10.

i. Fire Mode



* In Fire mode, the CCT can be switched between cool, neutral and warm colors.

Rotate the MENU key to select "CCT, INT, frequency", and then rotate the "OK" knob to adjust the CCT(2700K~6500K), brightness value (10% ~ 100%), and frequency [1-10, R (random)].



* As of writing, you cannot set a fixed base CCT for certain effects, such as: Fireworks, TV, and Fire.

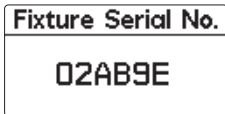
* If the light is powered off, upon turning on again, the light resumes its last saved setting.

* In FX mode, click "MENU" to return to the light effects MENU interface. At this point, rotate "OK" to switch to different light effects. Click "MENU" again to return to the main MENU interface.

At this time, the selected FX mode is still maintained. You can choose different options according to your needs, and select "CCT" to exit FX mode.

5) Wireless mode

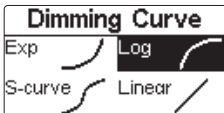
Users can connect devices with the name LS 60x ***** through the bluetooth of their mobile phones or tablets (six digits + letters are the serial number of the machine). At this time, they can control the devices wirelessly through their mobile phones or tablets.



** Through the menu interface, select "Device serial number" to view the serial number of the device.*

6) Dimming curve mode

Press "MENU" key to enter MENU mode, rotate "MENU" key to select "Dimming curve" item, click "MENU" key to enter "Dimming curve" mode, rotate "OK" key to select exponential, logarithmic, linear and "S" dimming curve, and then click "OK" key to confirm the selection.



7) Studio mode

Press "MENU" key to enter the MENU mode, rotate "MENU" key to select studio mode, click "MENU" key to enter studio mode, then rotate "OK" key to select "Yes" or "No", and click "OK" key to open or close studio mode.

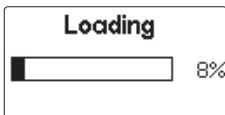
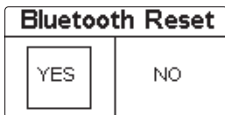


** When Studio Mode is active, the light will turn on as soon as it receives power, without having to press the power button.*

** Studio Mode is active as the factory default.*

8) Bluetooth reset

(1) Press "MENU" key to enter MENU mode, rotate "MENU" key to select Bluetooth reset, click "MENU" key to enter Bluetooth Reset mode, then rotate "OK" key to select "Yes" and press "OK" key short to reset Bluetooth (the current reset progress will be displayed on the pop-up interface, and the progress will be displayed within 5 seconds); Select "NO" to return to the previous menu.



(2) After resetting the light's Bluetooth connection, your mobile phone or tablet will be able to connect to and control the LS 60x.

(3) If the Bluetooth Reset fails, a [Reset Failed] screen will pop-up, and the light will return to Bluetooth mode after 2 seconds.

** The light must be connected to your mobile device using the Sidus Link mobile application, and not via your device's typical Bluetooth connection menu.*

9) Language

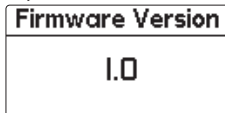
Press "MENU" key to enter MENU mode, rotate "MENU" key to select Language, click "MENU" key to enter Language MENU, rotate "OK" key to select English or Chinese, and then click "OK" key to confirm the selection.



** The factory default language is English.*

10) Firmware version

Press the "MENU" key to enter the MENU mode, rotate the "MENU" key to select the firmware version number, click the key to enter the "Firmware version Number" interface, and then you can see the version information of the firmware.

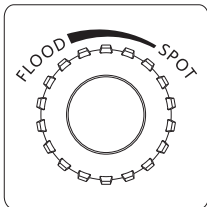


11) OTA mode

Firmware updates can be updated online via the Sidus Link app for OTA updates.

3. Focusing

Optical "wide Angle" and "focus" can be achieved by rotating the focusing knob, clockwise rotation of the focusing knob to achieve "focus", counterclockwise rotation of the focusing knob to achieve "wide Angle".



4. Using the Sidus Link APP

You can download the Sidus Link app from the iOS App Store or Google Play Store for enhancing the functionality of the light. Please visit sidus.link/app/help for more details regarding how to use the app to control your Aputure lights.



[Sidus.link/app/help](https://sidus.link/app/help)

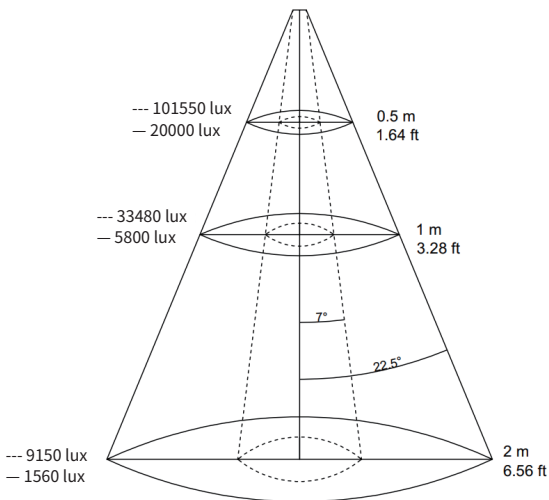


Get Sidus Link® App

Specifications

Light operating current	<6.5A	Light Power Consumption	80W(Max)
Light Power Supply	6-19V	Cooling Mode	Active Cooling
TLCI	≥95	CCT	2700-6500K
CRI	≥95	Radio Frequency	≤80m
Radio Frequency	2.4GHz		
Sizes (L X φ)	195*100mm		

Illumination distribution map



* This is an averaged result, the number might be slightly different on each light.

* This illumination data is the data at CCT 5600K.

--- Spot

— Flood

CCT		Distance	1m	3m	5m
3200K	Flood		5357 (lux)	647 (lux)	223 (lux)
	Spot		30132 (lux)	3794 (lux)	1339 (lux)
4300K	Flood		5245 (lux)	625 (lux)	234 (lux)
	Spot		31248 (lux)	3683 (lux)	1395 (lux)
5600K	Flood		5803 (lux)	703 (lux)	268 (lux)
	Spot		33480 (lux)	4241 (lux)	1451 (lux)
6500K	Flood		5580 (lux)	670 (lux)	246 (lux)
	Spot		32364 (lux)	4018 (lux)	1395 (lux)

Trademarks

Bowens is a trademark or registered trademark of Bowens in the P.R.C and other countries.

Anton bauer is a trademark or registered trademark of Anton bauer in the US and other countries.

IDX is a trademark or registered trademark of IDX in the JP and other countries.

Aputure®

GUARANTEE CARD

Service Warranty (EN)

Aputure Imaging Industries Co., Ltd. warrants the original consumer purchaser from defects in material and workmanship for a period of one (1) year after the date of purchase. For more details of warranty visit www.aputure.com

Important:

Keep your original sales receipt. Be sure the dealer has written on it the date, serial No. of the product. This information is required for warranty service.

This warranty does not cover:

- Damage that is the result of misuse, abuse, accident (including but not limited to damage by water), faulty connection, defective or maladjusted associated equipment, or the use of the product with equipment for which it was not intended.
- Cosmetic defects that appear more than thirty (30) days after the date of purchase. Cosmetic damage caused by improper handling is also excluded.
- Damage that occurs while the product is being shipped to whoever will service it.

This warranty is void if:

- The product identification or serial No. label is removed or defaced in any way.
- The product is serviced or repaired by any one other than Aputure or an authorized Aputure dealer or service agency.

Aputure Imaging Industries Co., Ltd.

Add: F/3, Building 21, Longjun industrial estate,

HePing West Road, Shenzhen, Guangdong

E-MAIL: cs@aputure.com

Sales Contact: (86)0755-83285569-613

Serial No.	
Item Name	
Purchase Date	
Buyer Name	
Buyer Phone	
Buyer Add	
Franchiser Seal	

Aputure®

Aputure Imaging Industries Co.,Ltd.

Inspection: Qualified

Add: F/3, Building 21, Longjun Industrial Estate, HePing West Road, Shenzhen, Guangdong

Aputure[®]
爱图仕

Light  **storm**
光 · 风暴

LS 60x
使用者指南

中文

前言

感谢您购买爱图仕“光·风暴”系列LED摄影灯—LS 60x。

爱图仕LS 60x是光风暴系列全新设计推出的自带光学系统的灯具。该灯具集成了全新的聚光透镜光学设计，将小功率光源的光学质量和光学质感大幅提升。结构设计小巧紧凑，金属灯体，质感出色。灯体拥有全天候级别防护性能，满足更多恶劣使用场景。配合Barn doors、柔光箱等附件的使用，更加丰富产品使用形态。使产品满足不同场合的控光需求，轻松实现广播级摄影摄像。

重要的安全说明

使用此摄影灯时，应始终遵循基本的安全预防措施，包括：

1. 使用前阅读并理解所有说明。
2. 当儿童靠近设备或使用设备时，必须进行密切监督。在使用设备时，请勿将设备置于无人看管状态。
3. 必须小心接触高温部件防止被烫伤。
4. 请勿操作电源线损坏的设备以及掉落或损坏的设备，直到合格的维修人员检查过。
5. 请归置好电源线，防止被电源线绊倒或拉扯电源线导致设备断电，且电源线不可接触灼热表面。
6. 如果需要延长线，应使用额定电流至少等于设备额定电流的延长线。额定电流小于设备的电线可能过热。
7. 在清洁和维修之前以及不使用时，务必从电源插座上拔下电器插头。切勿拉扯电线从插座拔出插头，应抓住插头并拉动来拔出。
8. 在存放前让设备完全冷却。存放时，请将电源线从设备上拔出，待冷却后归置在手提包对应位置。
9. 为降低电击风险，请勿将本产品浸入水中或其他液体中。
10. 为降低电击风险，请勿拆卸本产品，在需要维修时将其交给合格的维修人员。不正确的重装可能会在随后使用设备时引起电击。

- 11.使用非制造商推荐的配件可能会引起火灾、电击或人身伤害。
- 12.请将本产品连接到接地插座。
- 13.使用前请将光学透镜上保护膜撕除。
- 14.本产品工作时，请勿遮挡散热孔，勿直视COB灯珠；任何情况下勿触摸COB灯珠。
- 15.勿将本产品置于液体或其他易燃，易挥发溶剂附近，避免损坏产品。
- 16.请用软布、干布清洁本设备。
- 17.请勿在潮湿的环境下使用本设备，否则有短路或电击的危险。
- 18.需要维修时请联系授权的维修人员。本设备内有精密电子线路。未经许可擅自拆卸导致故障不在本司保修范围内，但用户可以付费维修。
- 19.建议使用爱图仕原厂线缆。由于使用非爱图仕原厂附件导致本产品的任何损坏，不在本司保修范围内，但用户可以付费维修。
- 20.本产品已通过RoHS, CE, KC, PSE和FCC认证，请参考相关国家标准使用和操作。因使用操作不当而造成机器损坏，不在保修范围内，但用户可以付费维修。
- 21.此使用者指南依据本公司严格测试制定。设计和规格如有变更，恕不另行通知。

保存这些说明

FCC 符合声明:

此设备符合 FCC 规则第 15 部分中的规范。操作设备须符合以下两个条件:

- (1) 此设备不会导致有害干扰;
- (2) 此设备可承受任何外来干扰, 包括可能导致非预期操作的干扰。

【警告】 如果用户未经爱图仕明确许可而进行改动或改装, 可能会丧失继续操作该设备的权利。

【注】 此设备经测试确定符合 B 类数码设备 (依照 FCC 规则第 15 部分规范) 的限制。这些限制的设计旨在为居住场所安装条件下的有害干扰提供合理的保护。此设备生成、使用并可以发射射频能量。如果未按照指示安装和使用, 可能对无线电通信造成有害干扰。但是, 在特定安装条件下, 不保证这类干扰不会发生。如果此设备确实对无线电或电视机接收信号造成有害干扰, 而这点可以通过关闭和打开设备来确定, 那么建议用户尝试使用以下一种或多种措施来消除干扰:

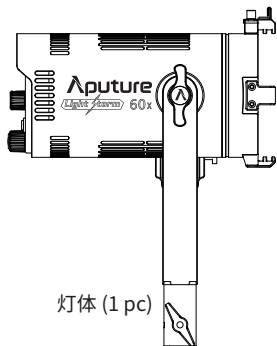
- 扩大设备与接收器之间的距离。
- 将设备连接到其他电路的插座中, 而不是接收器所连接电路的插座。
- 咨询经销商或有经验的无线电/电视机技术人员以获得帮助。

FCC 辐射暴露声明

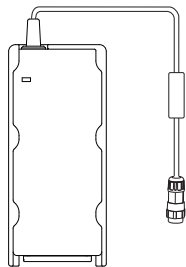
本设备符合 FCC 针对未受控制环境所制定的辐射暴露限制。

物品清单

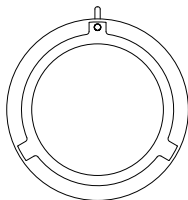
使用本产品前，请检查包装内是否包含所有以下物品。如有缺失，请与经销商联系。



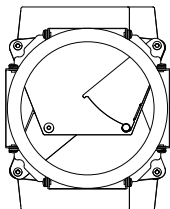
灯体 (1 pc)



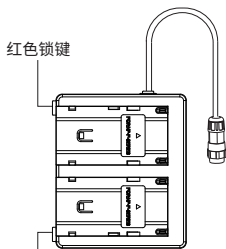
适配器 (1 pc)



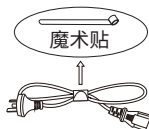
保荣口转接环 (1 pc)



遮菲 (1 pc)



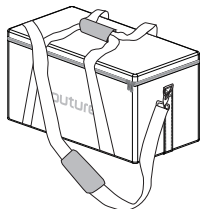
红色锁键
黑色锁键
电池盒 (1 pc)



电源线
(1 pc)

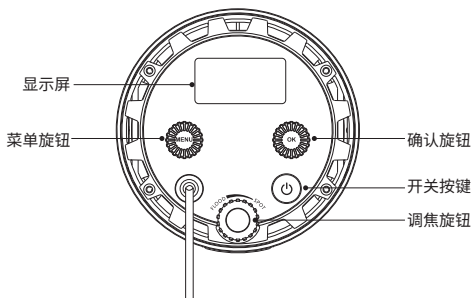
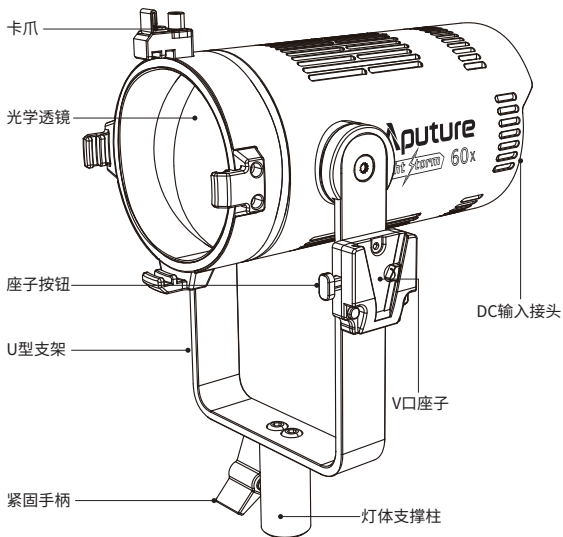


D-tap转DC
连接线(1 pc)



手提包 (1 pc)

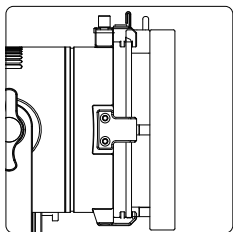
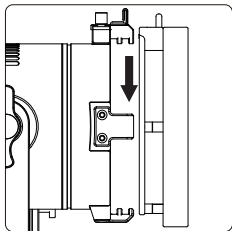
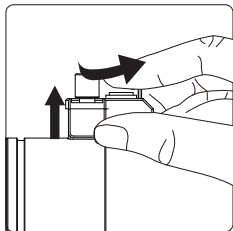
产品视图



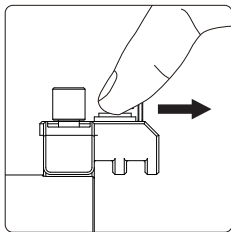
附件安装

1. 转接环安装

把灯头正上方卡爪提起，旋转90°至侧面，然后把转接环对准灯头上其他三个卡爪槽，自上而下放入卡爪槽内，再提起正上方卡爪旋转至正前方即可。

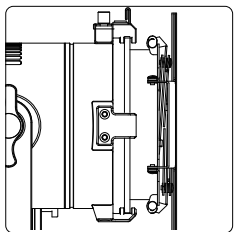
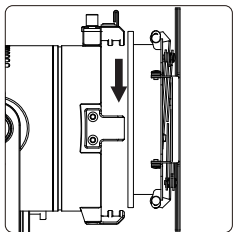
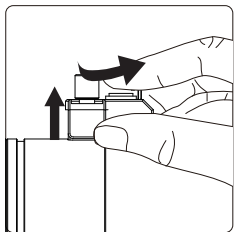


* 安装前请确保拨片已推至前方。

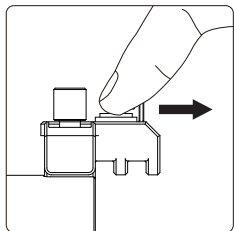


2. 遮菲安装

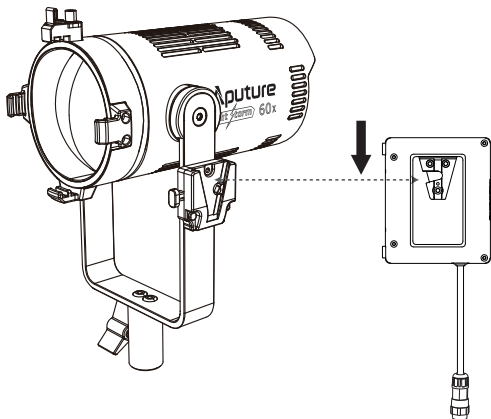
把灯头正上方卡爪提起，旋转90°至侧面，然后把遮菲对准灯头上其他三个卡爪槽，自上而下放入卡爪槽内，再提起正上方卡爪旋转至正前方即可。



* 安装前请确保拨片已推至前方。

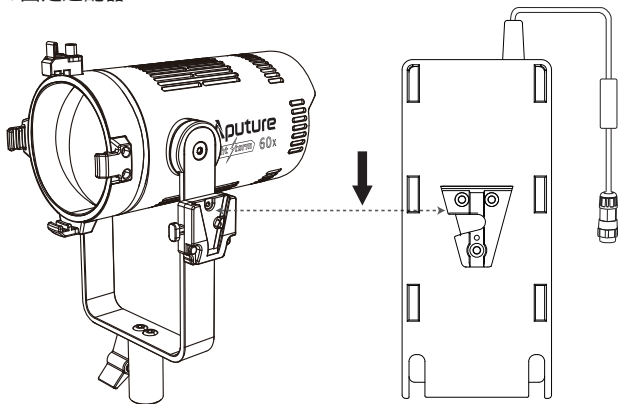


3. 固定电池盒



* 拆卸电池盒时，按下V口座子按钮，同时向上拔出电池盒，切勿硬拔。

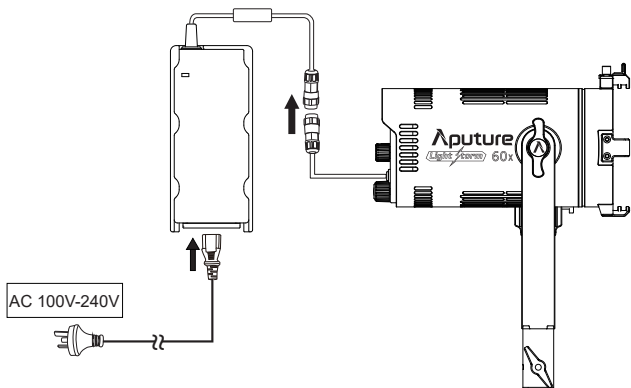
4. 固定适配器



* 拆卸适配器时，按下V口座子按钮，同时向上拔出适配器，切勿硬拔。

供电

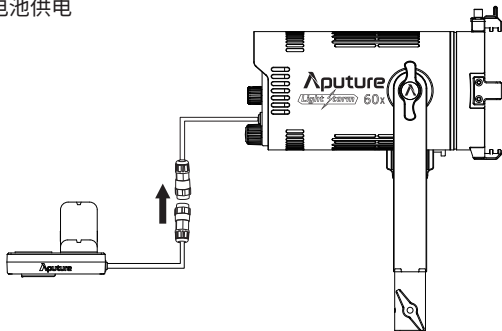
1. 交流电供电



* 拆卸电源线时，请顺时针旋转DC输入接头红色转环，然后拔出，切勿硬拔。

2. 电池供电

1) 单电池供电

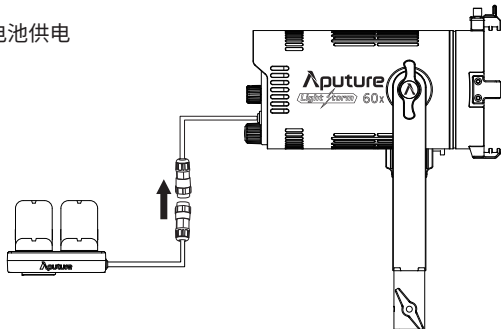


* 使用单电池供电时，需把电池安装在红色锁键对应的电池槽内；拆卸电池时，按下红色锁键，抽出电池即可，切勿硬拔。

* 拆卸电池盒时，请顺时针旋转DC输入接头红色转环，然后拔出，切勿硬拔。

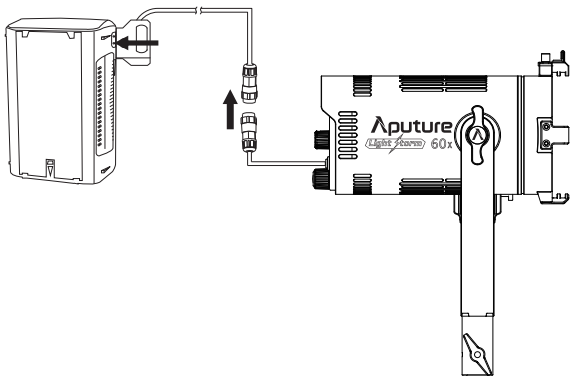
* 使用单电池进行供电时，必须使用输出电压为6~8.4V，输出电流 $\geq 6.6A$ 的电池。

2) 双电池供电



- * 使用双电池供电时，依次把电池安装在红色/黑色锁键对应的电池槽内；拆卸电池时，按下红色/黑色锁键，依次抽出电池即可，切勿硬拔。
- * 拆卸电池盒时，请顺时针旋转DC输入接头红色转环，然后拔出，切勿硬拔。
- * 使用双电池进行供电时，必须使用输出电压为12~16.8V，输出电流 $\geq 6.6A$ 的电池。

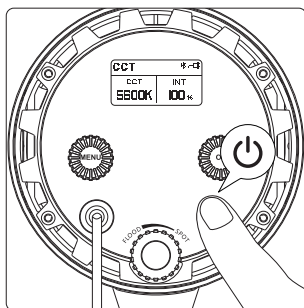
3) V口电池供电



- * 适配V-mount，客户可根据需要另行选购电池。
- * 拆卸D-tap转DC线时，请顺时针旋转DC输入接头红色转环，然后拔出，切勿硬拔。
- * 按下V口盖子按钮，同时向上拔出V口电池，切勿硬拔。
- * 切勿使用21V及更高规格的电池，使用错误的电池供电，会导致灯具损坏。
- * 使用输出电流不符合要求的电池进行供电，可能会导致开灯瞬间在光效模式下，电池进入保护状态，灯具不能正常使用。

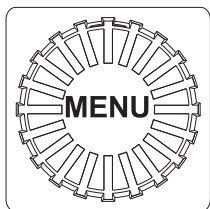
操作

1. 接通电源，开关按键可控制灯体开关状态。



2. 手动控制

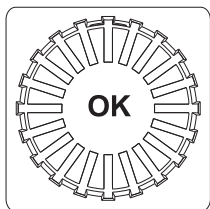
1) 旋转色温调节旋钮来调色温，顺时针变冷，逆时针变暖。可实现无级调节。



暖
冷



旋转亮度调节旋钮来调节亮度，顺时针变强，逆时针变弱。可实现无级调节。



min
max



2) 点击MENU键，进入菜单界面，显示如下图。

旋转“MENU”键，选择菜单选项，点击“MENU”键可进入已选择菜单项；如需返回菜单界面，点击“MENU”键即可，选择“退出”则回到CCT界面。



3) CCT 模式

从菜单界面选择确认“CCT”，进入CCT模式。旋转“MENU”可调节色温；旋转“OK”键可调节亮度。单击“OK键”可切换固定色温：2700k、3200k、4300k、5600k、6500k。

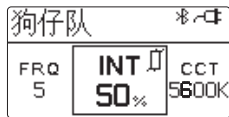


4) 光效模式

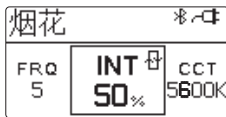
从菜单界面选择确认“光效模式”，进入光效模式。通过旋转并点击“OK”键可以选择进入不同光效。



a. 狗仔队模式



b. 烟花模式

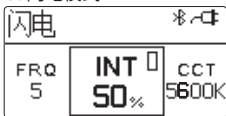


* 色温在烟花光效模式下有3200K, 5600K, 随机几种选择。

c. 故障灯泡模式

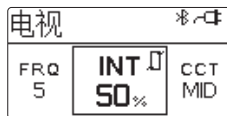


d. 闪电模式



* 闪电模式下，需通过OK按钮触发光效，短按一次OK按钮触发一次光效，长按OK按钮进入循环模式。

e. 电视模式 (TV)

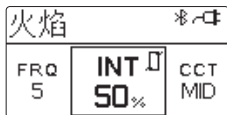


* 电视模式下，色温可以在冷色、中性和暖色之间切换。

g. 闪光灯模式 (Strobe)

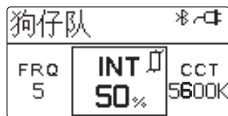


i. 火焰模式 (Fire)



* 火焰模式下，色温可以在冷色、中性和暖色之间切换。

旋转MENU键切换选择“CCT、INT、频率”，再调节“OK”旋钮可调节灯的色温值（2700K~6500K）、亮度值（10%~100%）、频率【1~10，R（随机）】。

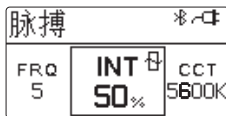


* 某些光效是不能调节具体色温的，比如：烟花、电视、火焰。

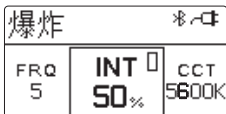
* 光效模式下，若突然断电，机器再次上电后，OLED屏显示断电前的界面并根据界面的数值作响应。

* 光效模式下，点击“MENU”键可返回到光效菜单界面，此时旋转“OK键”可选择切换不同光效；再次点击“MENU”键可返回到主菜单界面，此时仍保持选择的光效模式，可根据需求选择不同选项，选择“CCT”则退出光效模式。

f. 脉搏模式 (Pulsing)



h. 爆炸模式 (Explosion)



* 爆炸模式下，需通过OK按键触发光效，短按一次OK按键触发一次光效。

* 爆炸模式可调频率为1~10。

5) 无线模式调节

用户可通过手机或平板蓝牙连接名称为LS 60x *****（六位数字+字母是对应机器的序列号）的设备，此时可通过手机或平板无线控制设备。



* 通过菜单界面，选择“设备序列号”可查看设备对应的系列号。

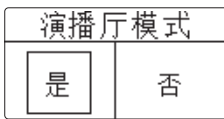
6) 调光曲线调节

按“MENU”键进入菜单模式，旋转“MENU”键选择调光曲线，点击“MENU”键进入调光曲线模式，旋转“OK”键选择指数型、对数型、线性、S型调光曲线，再点击“OK”键确认选择。



7) 演播室模式

按“MENU”键进入菜单模式，旋转“MENU”键选择演播厅模式，点击“MENU”键进入演播厅模式，再旋转“OK”键选择“是”或“否”，点击“OK”键开启或关闭演播室模式。

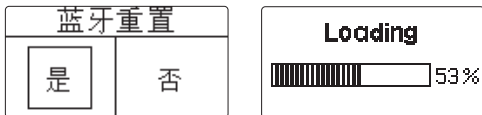


* 演播室模式：接通电源后上电直接开机，不需要按开机键。

* 演播室模式出厂默认开启状态。

8) 蓝牙重置

(1) 按“MENU”键进入菜单模式，旋转“MENU”键选择蓝牙重置，点击“MENU”键进入蓝牙重置模式，再旋转“OK”键选择“是”短按“OK”键进行蓝牙重置（弹出界面显示当前重置进度，5秒内完成进度显示）；选择“否”，返回上一级菜单。



(2) 蓝牙重置成功后，可使用智能终端（手机或平板电脑）与灯进行配对连接，连接成功后，可以对灯进行相关控制。

(3) 蓝牙重置不成功，弹出界面【Reset Failed】，显示2秒后返回蓝牙界面。

** 智能终端与灯进行连接，必须安装对应的APP，具体下载方式，请查看我司官网。*

9) 语言选择

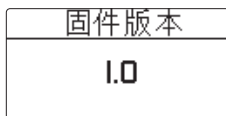
按“MENU”键进入菜单模式，旋转“MENU”键选择语言，点击“MENU”键进入语言菜单，旋转OK键选择English或中文，再点击“OK”键确认选择。



** 出厂默认为英文界面。*

10) 固件版本

按“MENU”键进入菜单模式，旋转“MENU”键选择固件版本号，点击键进入固件版本号界面，然后你可以看到固件的版本信息。

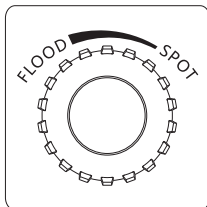


11) OTA 模式

固件升级可以通过Sidus Link app进行OTA在线升级更新。

3. 调焦控制

通过旋转调焦旋钮可实现光学的“广角”与“聚焦”，顺时针旋转调焦旋钮实现“聚焦”，逆时针旋转调焦旋钮实现“广角”。



4. Sidus Link APP的使用

您可以在App store和安卓市场搜索sidus link下载专业控制软件来控制爱图仕灯具，更多详细使用方法请访问:sidus.link/app/help



Sidus.link/app/help

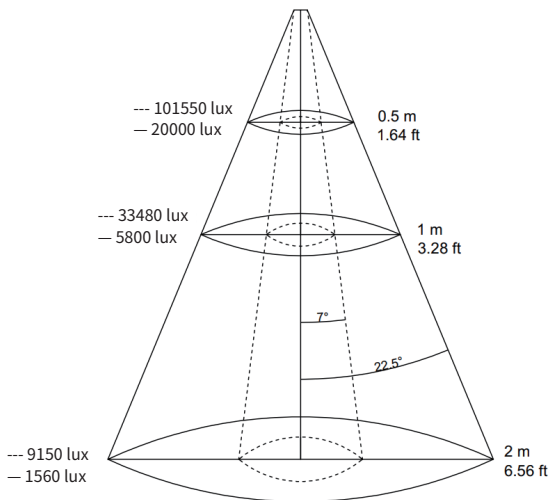


获取 Sidus Link® App

规格

灯体工作电流	<6.5A	功耗(Max)	80W(最大)
灯体工作电压	6-19V	散热方式	主动散热
TLCI	≥95	色温	2700-6500K
CRI	≥95	遥控距离	≤80m
工作频率	2.4GHz		
灯体尺寸 (长X直径)	195*100mm		

照度分布数据



* 亮度数据为平均数据，不同灯的亮度会有微小差异。

* 此数据为色温5600K时的照度数据。

--- 聚焦

— 广角

CCT		距离	1m	3m	5m
3200K	广角	5357 (lux)	647 (lux)	234 (lux)	
	聚焦	30132 (lux)	3794 (lux)	1339 (lux)	
4300K	广角	5245 (lux)	625 (lux)	234 (lux)	
	聚焦	31248 (lux)	3683 (lux)	1395 (lux)	
5600K	广角	5803 (lux)	703 (lux)	268 (lux)	
	聚焦	33480 (lux)	4241 (lux)	1451 (lux)	
6500K	广角	5580 (lux)	670 (lux)	246 (lux)	
	聚焦	32364 (lux)	4018 (lux)	1395 (lux)	

商标声明

Bowens等是保荣公司在中国或其他国家的商标及产品型号。

Anton bauer等安东保尔公司在美国或其他国家的商标及产品型号。

IDX等是IDX公司在日本或其他国家的商标及产品型号。

Aputure®

保修卡

保修条款(中文)

本公司对产品第一买主客户提供为期一年的质量保证期。质保内容和细节,请登陆我们的网站www.aputure.com。

重要说明:

请保留您原始购买单据及保修卡,确定您购买的供应商资料都在此单据,同时包括您的购买日期,产品序列号等,这些资料质保服务时都会需要提供。

质保范围不包括:

- 产品不当使用,破坏,意外,错误接线,不良或失调的外接装置,不适合的外接装置所造成的损坏(包括暴露于雨水等损坏),不在质保范围。
- 自购买日30天后产品外观的损伤,或是不当的表面处理接触造成的外观损伤,不在质保范围。
- 经销商运送所造成的损坏,不在质保范围。

质保无效说明:

- 产品序列号标识已经被撕去或无法辨识,本质保条款无效。
- 产品未经本公司或者指定授权维修公司的检修及改装,本质保条款无效。

深圳市爱图仕影像器材有限公司

地址:广东省深圳市龙华和平西路部九窝龙军工业区21栋3楼

邮箱:cs@aputure.com

销售热线:0755-83285569-613

服务热线:400-0999-028

产品编号	
产品名称	
购买日期	
用户姓名	
用户电话	
用户地址	
经销商印章	

Aputure®

爱图仕

深圳市爱图仕影像器材有限公司

检验:合格

地址:深圳市龙华新区和平西路部九窝龙军工业区